

3D view (With CAP)

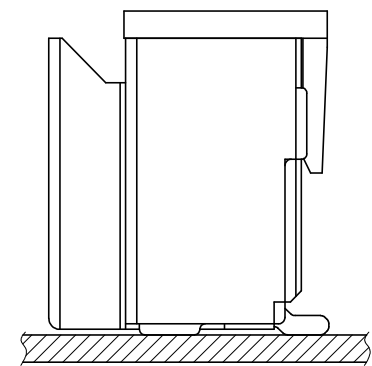
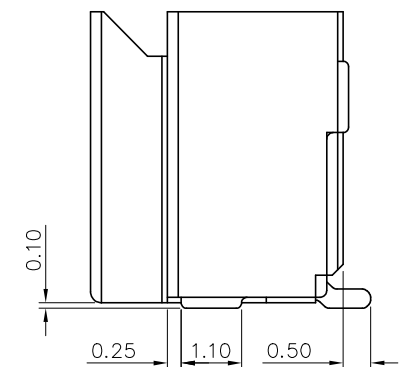
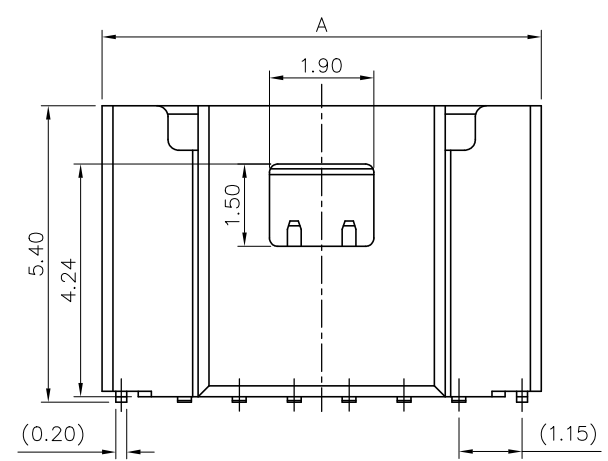
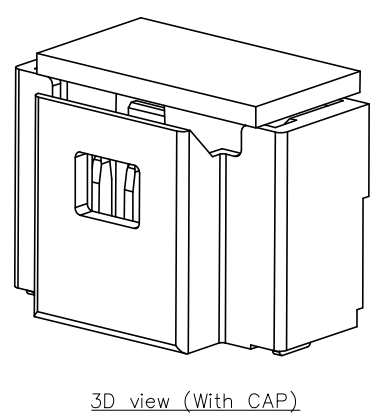
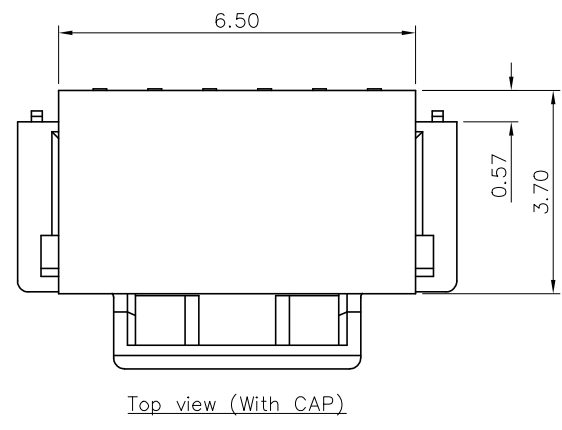
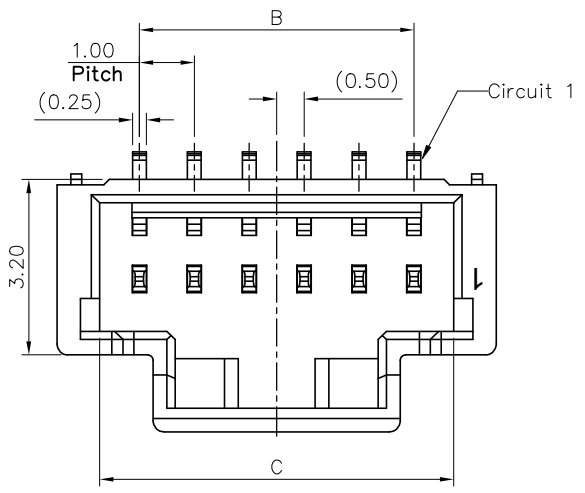
NOTE:

- 1.MATERIAL:
 - 1.1 HOUSING:PA4T, UL94V-0, HOLOGEN FREE
 - 1.2 CONTACT PIN: COPPY ALLOY
 - 1.3 SOLDER PIN: COPPY ALLOY
- 2.FINISH:
 - 2.1 CONTACT PIN:FINISH PLATING REFER TO ORDERING CODE
 - 2.2 SOLDER TAB: TIN PLATED
- 3.ELECTRICAL CHARACTERISTICS
 - RATING CURRENT: 1.0A AC/DC
 - RATING VOLTAGE: 100V AC/DC
 - OPERATING TEMPERATURE: -40°C~+105°C
- 4.MATE WITH RECEPTACLE: AFCI 10164367
- 5.PARTS MEET REFLOW APPLICATION PEAK TEM. 260°C, 10s MAX.
- 6.ORDERING CODE: 10164365-X XX X X LF

- COLOR
 - 0: NATURAL
 - 1: BLACK
- NO. OF PINS
 - 02~15: 02~15 PINS
- PACKAGE
 - 1: TAPE&REEL WITH CAP
- CONTACT FINISH
 - 1: MATTE TIN
 - 2: CONTACT AREA GOLD 15u" MIN +SOLDER AREA GOLD FLASH
 - 3: CONTACT AREA GOLD 30u" MIN +SOLDER AREA GOLD FLASH
 - 4: GOLD FLASH OVER ALL
 - 5: CONTACT AREA GOLD 30u" MIN +SOLDER AREA MATTE TIN

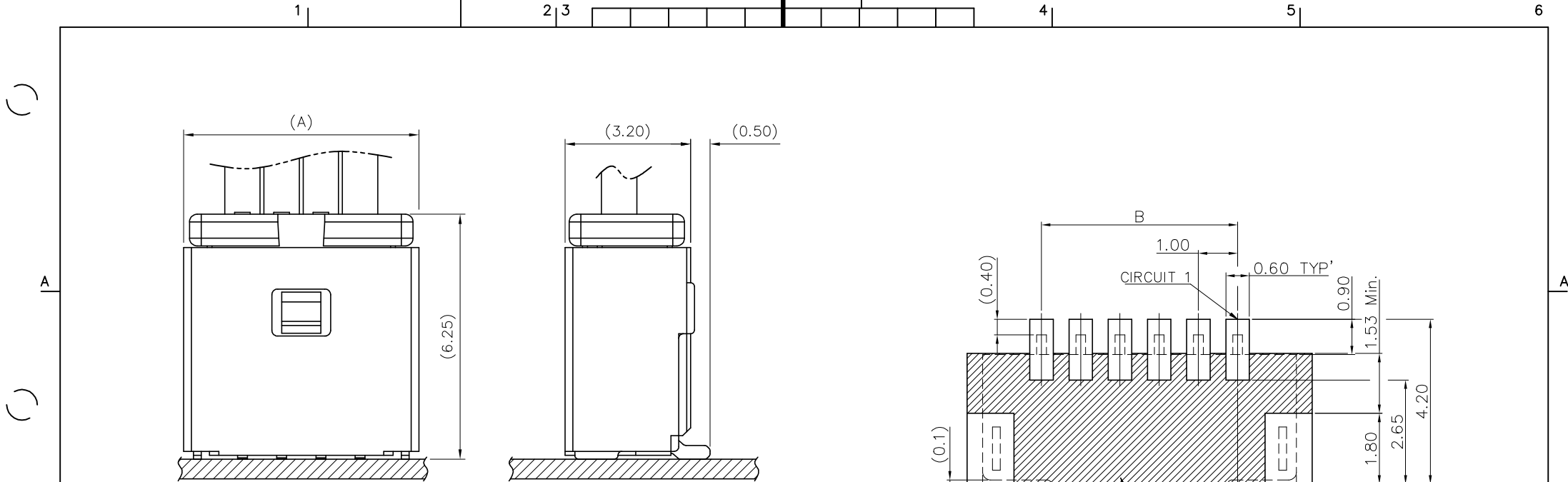
Part number	Dimensions (mm)		
	A	B	C
10164365-002X1LF	4.00	1.00	2.45
10164365-003X1LF	5.00	2.00	3.45
10164365-004X1LF	6.00	3.00	4.45
10164365-005X1LF	7.00	4.00	5.45

mat'l. code		surface		tolerance		projection		product family	
		ISO 1302		ISO 406 ISO 1101				FITMATE	
ltr		ecn no		dr		date		title	
A		New Release		Jason		2021/9/2		1.00mm pitch connector header vertical	
B		ELX-N-54337		JH		2025/01/10			
				angles		linear		mm	
				.X±.5		.XX±.25		scale 2:1	
				0±2'		.XXX±.10			
				dr		Jason.Wang 2022/1/12		dwg no	
				enfr		Jason.Wang 2022/1/12		sheet 1 of 3	
				chr		Song.Yang 2022/1/12		size	
				appd		Tim.Yao 2022/1/12		A3	
sheet index		revision		B				type Product Customer Drawing	
		sheet		1~3					

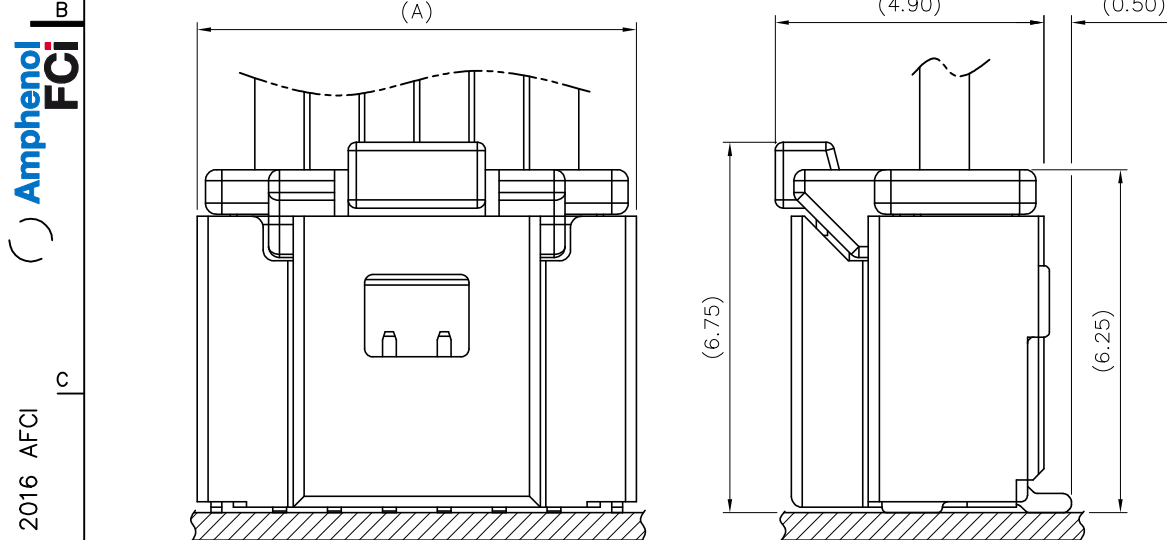


Part number	Dimensions (mm)			Part number	Dimensions (mm)		
	A	B	C		A	B	C
10164365-006X1LF	8.00	5.00	6.45	10164365-011X1LF	13.00	10.00	11.45
10164365-007X1LF	9.00	6.00	7.45	10164365-012X1LF	14.00	11.00	12.45
10164365-008X1LF	10.00	7.00	8.45	10164365-013X1LF	15.00	12.00	13.45
10164365-009X1LF	11.00	8.00	9.45	10164365-014X1LF	16.00	13.00	14.45
10164365-010X1LF	12.00	9.00	10.45	10164365-015X1LF	17.00	14.00	15.45

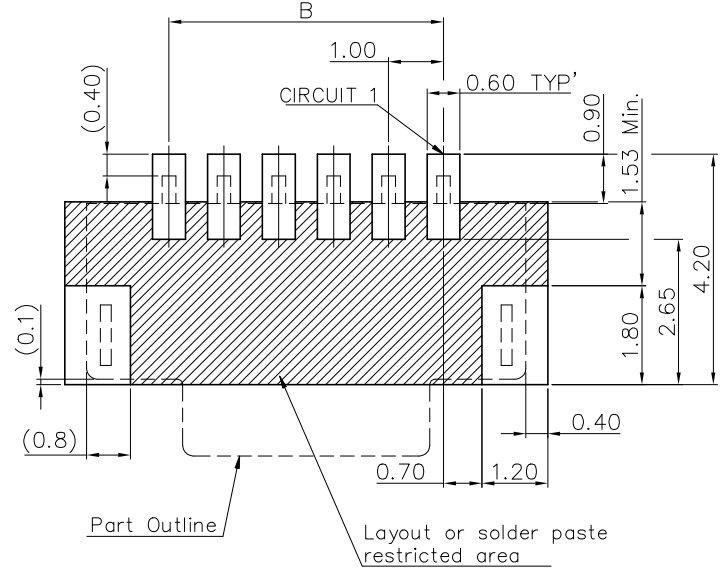
mat'l. code		surface		tolerance		projection		product family	
		ISO 1302		ISO 406 ISO 1101				FITMATE	
ltr		ecn no		dr		date		title	
B								1.00mm pitch connector header vertical	
				angles		linear		mm	
								scale 2:1	
				dr		Jason.Wang 2022/1/12		dwg no	
				enrg		Jason.Wang 2022/1/12		sheet 2 of 3	
				chr		Song.Yang 2022/1/12		size	
				appd		Tim.Yao 2022/1/12		A3	
sheet index		revision		B				type	
		sheet		1~3				Product Customer Drawing	



Mated view (02~05pos)



Mated view (06~15pos)



Recommended P.C.B Layout
General Tolerance ±0.05

Amphenol FCI
 © 2016 AFCI

mat'l. code		surface ISO 1302 ✓		tolerance ISO 406 ISO 1101		projection ⊕		product family FITMATE	
ltr	ecn no	dr	date	tolerances unless otherwise specified		title		1.00mm pitch connector header vertical	
B				angles	linear	mm			
				0°±2'	.X±.5 .XX±.25 .XXX±.10	scale 2:1			
		dr	Jason.Wang	2022/1/12	Amphenol FCI		dwg no		sheet 3 of 3
		enr	Jason.Wang	2022/1/12			10164365		size A3
		chr	Song.Yang	2022/1/12			type		Product Customer Drawing
		app	Tim.Yao	2022/1/12					
sheet index	revision sheet	B 1~3							