

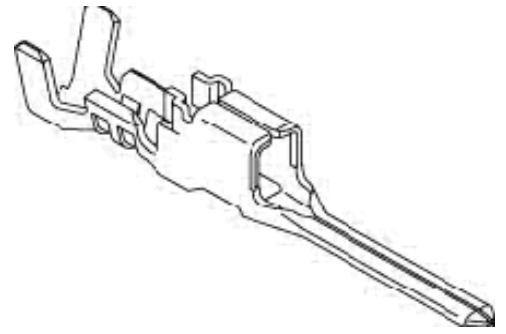
Part Number : [562798000](#)

Product Description : 3.30mm Pitch Crimp Terminal, Male, 26-22 AWG, Reel

Series Number : 56279

Status : Obsolete

Product Category : Crimp Terminals



Documents and Resources

Drawings


[562798000_sd.pdf](#)

Specifications

[PS-51347-001-001.pdf](#)

Product Environment Compliance

Compliance

GADSL/IMDS	Compliant with Exemption 44; 47; 34
China RoHS	 per SJ/T 11365-2006
EU ELV	Not Relevant
Low-Halogen Status	Low-Halogen per IEC 61249-2-21
REACH SVHC	Not Contained per D(2025)7771-DC (04 Feb 2026)
EU RoHS	Compliant per EU 2015/863

Compliance Statements

- EU RoHS
- REACH SVHC
- Low-Halogen

Industry Documents

- IPC 1752A Class C
- IPC 1752A Class D
- Molex Product Compliance Declaration
- IEC-62474
- chemSHERPA (xml)

Substances of Interest

- PFAS

EU RoHS Certificate of Compliance

Additional Product Compliance Information

Part Details

General

Status	Obsolete
Category	Crimp Terminals
Series	56279
Description	3.30mm Pitch Crimp Terminal, Male, 26-22 AWG, Reel
Application	Signal
Product Name	N/A
UPC	756054366868

Physical

Gender	Male
Material - Metal	Phosphor Bronze
Material - Plating Mating	Tin
Material - Plating Termination	Tin
Net Weight	146.400/mg
Packaging Type	Reel
Termination Interface Style	Crimp or Compression
Wire Insulation Diameter	1.70mm max.
Wire Size (AWG)	22, 24, 26
Wire Size mm ²	N/A

Mates With / Use With

Mates with Part(s)

Description	Part Number
3.30mm Pitch Female Crimp Terminals	<u>56187</u>
3.30mm Pitch Female Crimp	<u>56188</u>

Application Tooling

This document was generated on May 04, 2026

Obsolete