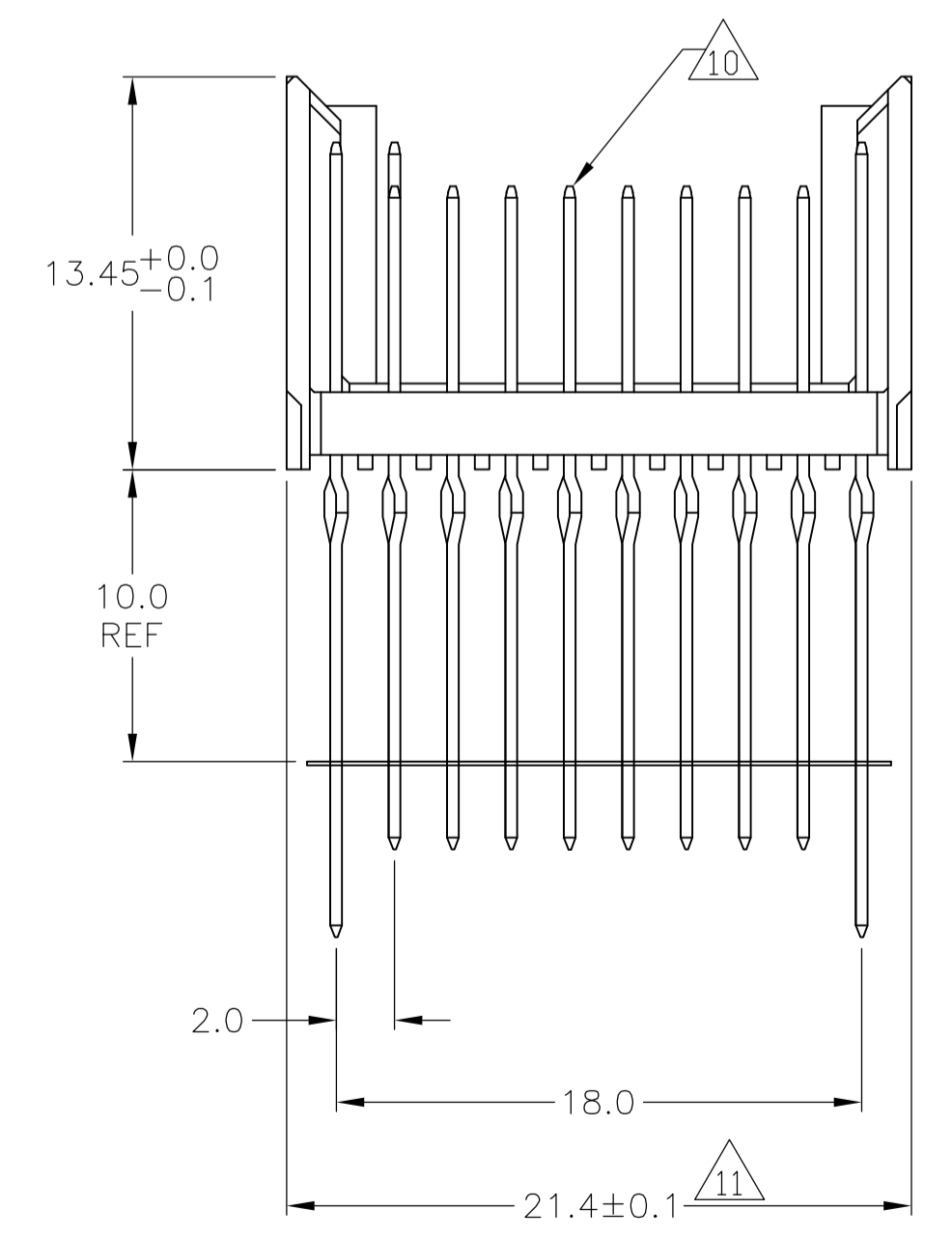
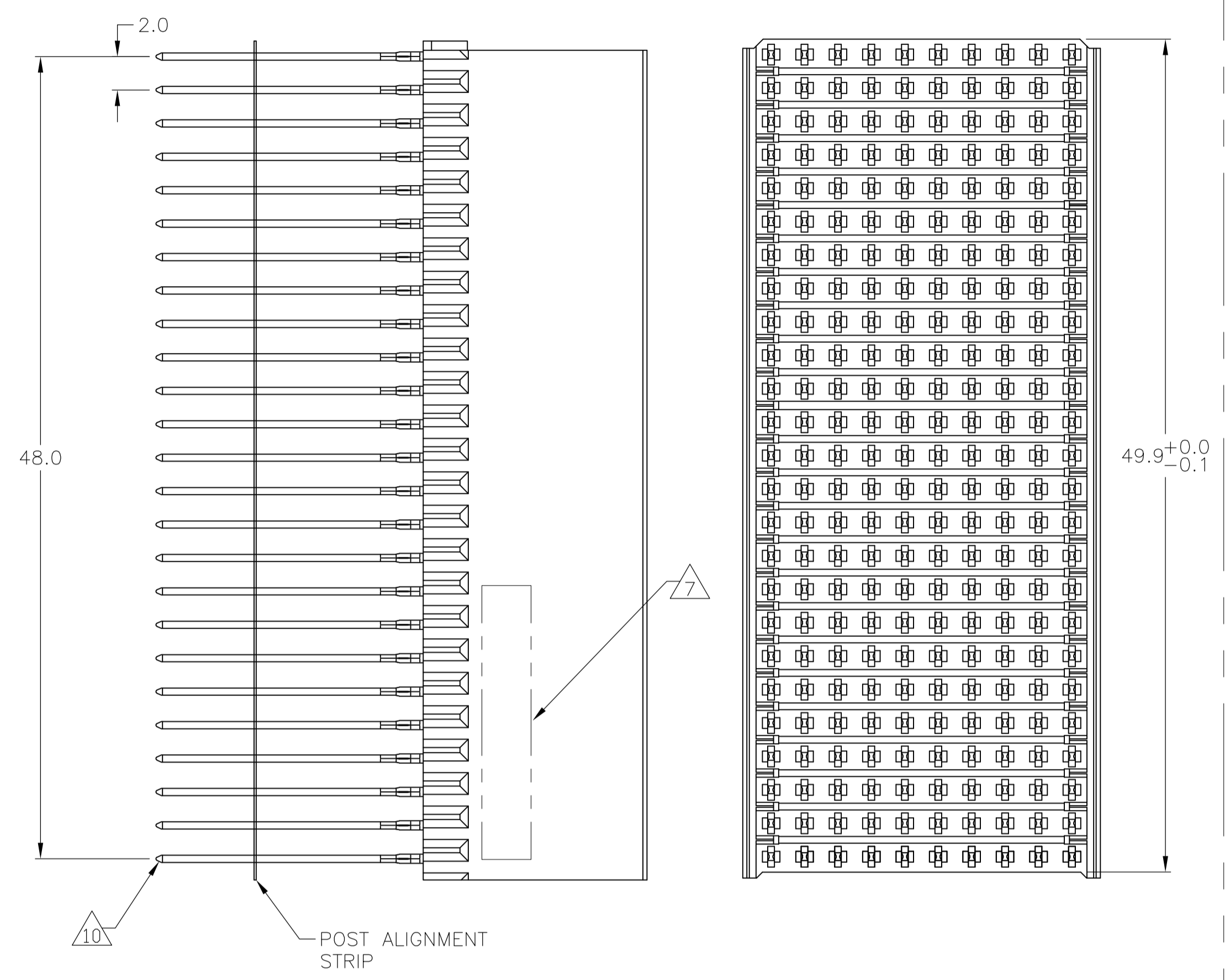
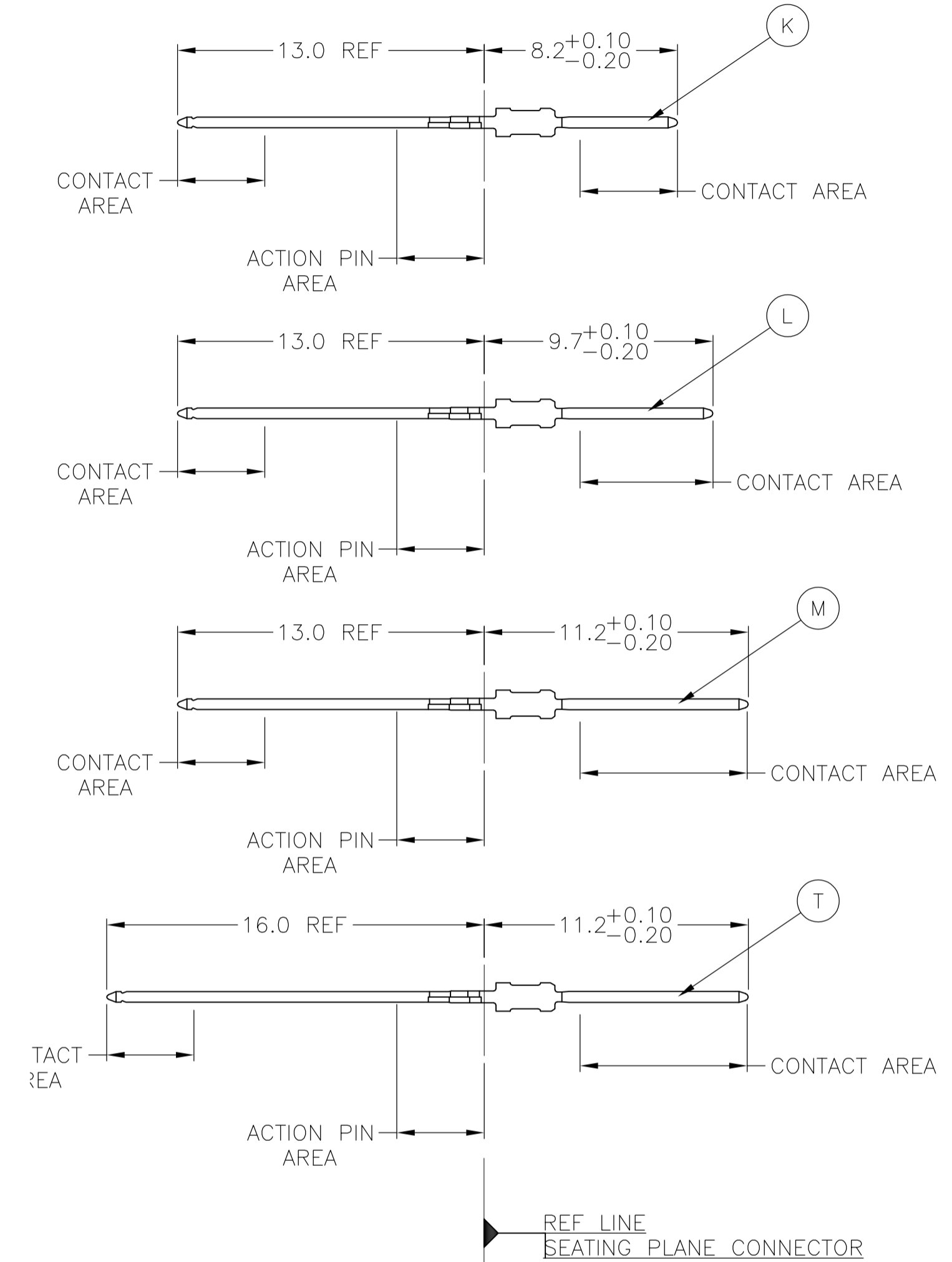


LOC		DIST		REVISIONS			
P	LTR	DESCRIPTION	DATE	DMN	APVD		
A		REVISED PER ECN 0512-0303-05	18APR06	JDP	GES		
A1		REVISED PER ECO-09-024927	10NOV09	KK	AEG		
B		ECR-10-018652	10SEP10	JS	MQW		

### CONNECTOR ASSEMBLY EXAMPLARY LOADED



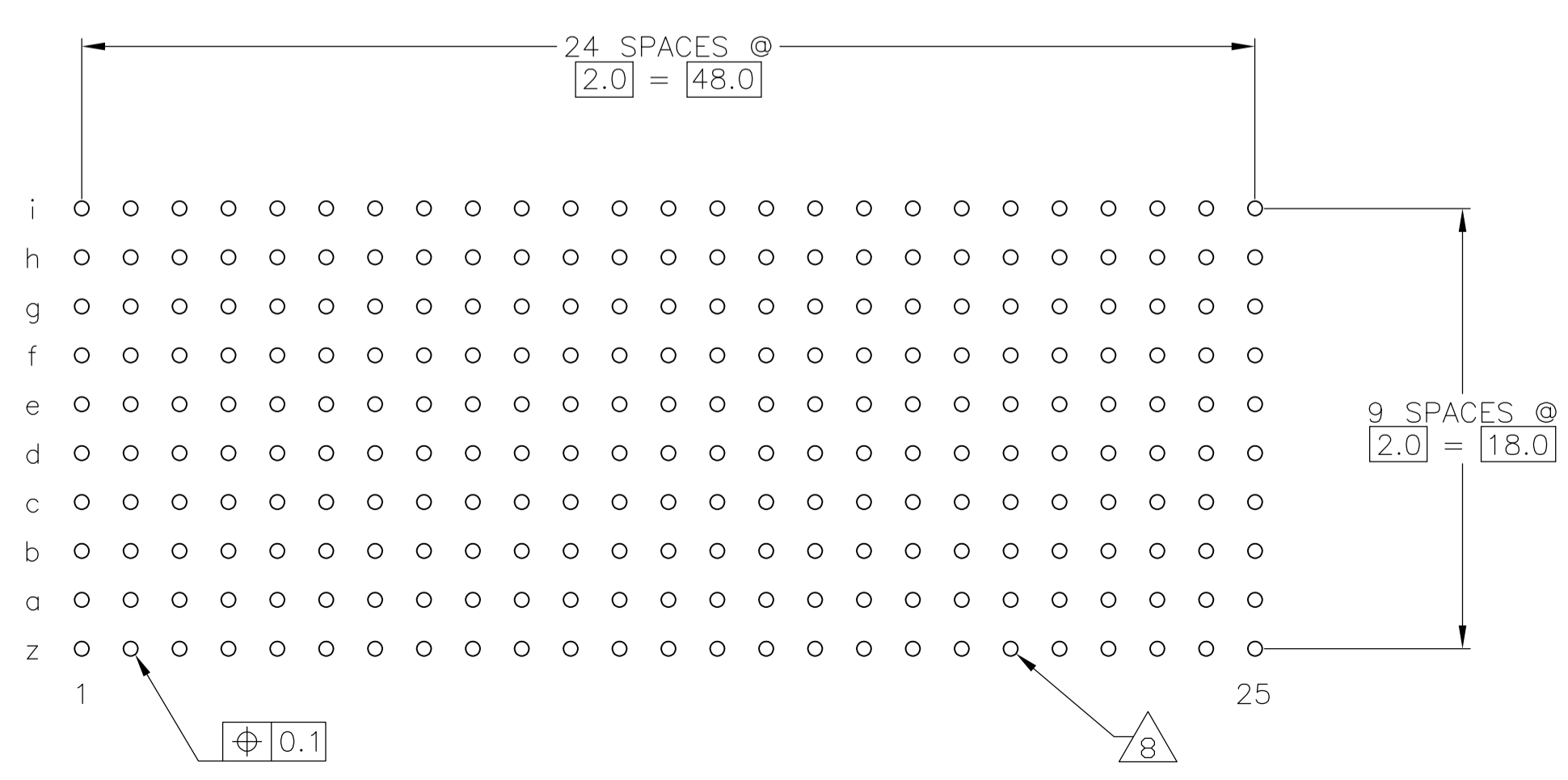
### CONTACT DIMENSIONS SCALE 5:1



### CONTACT LAYOUT

	z	a	b	c	d	e	f	g	h	i
1	T	L	L	L	L	L	L	L	L	T
2	T	L	L	L	L	L	L	L	L	T
3	T	L	L	L	L	L	L	L	L	T
4	T	M	L	L	L	L	L	L	L	T
5	T	L	L	L	L	L	L	L	L	T
6	T	L	L	L	L	L	L	L	L	T
7	T	L	L	L	L	L	L	L	L	T
8	T	M	L	L	L	L	L	L	L	T
9	T	L	L	L	L	L	L	L	L	T
10	T	L	L	L	L	L	L	L	L	T
11	T	L	L	L	L	L	L	L	L	T
12	T	M	L	L	L	L	L	L	L	T
13	T	L	L	L	L	L	L	L	L	T
14	T	L	L	L	L	L	L	L	L	T
15	T	K	L	L	L	L	L	L	L	T
16	T	M	L	L	L	L	L	L	L	T
17	T	L	L	L	L	L	L	L	L	T
18	T	L	L	L	L	L	L	L	L	T
19	T	L	L	L	L	L	L	L	L	T
20	T	L	L	L	L	L	L	L	L	T
21	T	L	L	L	L	L	L	L	L	T
22	T	L	L	L	L	L	L	L	L	T
23	T	L	L	L	L	L	L	L	L	T
24	T	L	L	L	L	L	L	L	L	T
25	T	L	L	L	L	L	L	L	L	T

### RECOMMENDED PCB-HOLE LAYOUT COMPONENT SIDE SHOWN



### PLATED THRU HOLES PARAMETERS REFERENCE APPLICATION SPECIFICATION

OBSOLETE	2 6 12	1-6645084-9
	2 5 12	-6645084-9-
	2 4	6645084-4
	2 3	6645084-1
FINISH		PART NUMBER

THIS DRAWING IS A CONTROLLED DOCUMENT.

DIMENSIONS: mm	TOLERANCES UNLESS OTHERWISE SPECIFIED:	DIN B CARBO 01AUG05	APVD G SKIPPER 01AUG05	Tyco Electronics Corporation Harrisburg, Pa 17105-3608
0-PLC ±	1-PLC ±0.1	01AUG05	NAME	MALE ASSEMBLY, Z-PACK 2mm HM, TYPE E
2-PLC ±0.2	3-PLC ±		PRODUCT SPEC	108-1622
4-PLC ±	ANGLES ±		APPLICATION SPEC	114-19029
MATERIAL 1	FINISH SEE TABLE	WEIGHT	SIZE A1	CAGE CODE 00779
			DRAWING NO	6645084
			RESTRICTED TO	
			CUSTOMER DRAWING	SCALE 4:1 SHEET 1 OF 2 REV B

THIS DRAWING IS UNPUBLISHED. RELEASED FOR PUBLICATION  
 © COPYRIGHT BY TYCO ELECTRONICS CORPORATION. ALL RIGHTS RESERVED.

LOC		DIST		REVISIONS				
P	LTR	DESCRIPTION	DATE	DN	APVD			
-	-	SEE SHEET 1	-	-	-			

- 1 MATERIAL:  
CONTACT: PHOSPHOR BRONZE.  
HOUSING: GLASS-FILLED POLYESTER.
- 2 GENERAL PLATING SPECIFICATION: UNDERPLATING  
(ENTIRE CONTACT): 1.27µm MIN NICKEL AND ACTION  
PIN: 0.5µm MIN TIN.  
FOR PLATING OF MATING SURFACES SEE APPLICABLE  
SPECIFICATION REFERENCE FOR EACH DASH NUMBER.
- 3 CONFORMS TO ALL TESTING ACCORDING TO IEC 61076-4-101  
PERFORMANCE LEVEL 2.
- 4 CONFORMS TO ALL TESTING ACCORDING TO IEC 61076-4-101  
PERFORMANCE LEVEL 1.
- 5 CONNECTOR TESTED AND QUALIFIED AGAINST TELCORDIA GR-1217-CORE QUALITY LEVEL 3,  
CENTRAL OFFICE APPLICATIONS.
- 6 CONNECTOR TESTED AND QUALIFIED AGAINST TELCORDIA GR-1217-CORE QUALITY LEVEL 3,  
UNCONTROLLED ENVIROMENT APPLICATIONS.
- 7 CONNECTOR MARKED WITH PART NUMBER AND DATE CODE.  
ADDITIONAL CHARACTERS OR MARKINGS, AS WELL AS THE LOCATION OF THE MARKINGS,  
MAY BE ADDED FOR TRACEABILITY BASED UPON MANUFACTURERS DISCRETION.
- 8 PLATED-THROUGH HOLES AT 2x2mm SQUARE GRID  
PATTERN DEFINED BY CONTACT LAYOUT.
- 9 FOR ACTUAL PIN LOADING SEE "CONTACT LAYOUT".
- 10 FOR ACTUAL PIN DIMENSIONS SEE "CONTACT DIMENSIONS".
- 11 TO BE MEASURED AT BOTTOM OF SHROUD.
- 12 CONNECTOR LUBRICATED WITH BELCORE APPROVED LUBRICANT,  
TECHNICAL REFERENCE: TR-NWT-001217 ISSUE 1, SEP 1992.
- 13 OBSOLETE PARTS: OBSOLETE CIS STREAMLINING PER D.RENAUD/D.SINISI

THIS DRAWING IS A CONTROLLED DOCUMENT.		DIN B CARBO	01AUG05	Tyco Electronics Corporation Harrisburg, Pa 17105-3608	
DIMENSIONS: mm		CIK G SKIPPER	01AUG05	NAME MALE ASSEMBLY, Z-PACK 2mm HM, TYPE E	
TOLERANCES UNLESS OTHERWISE SPECIFIED: 0-PLC ± 1-PLC ±0.1 2-PLC ± 3-PLC ± 4-PLC ± ANGLES ±0.1°		APVD G SKIPPER	01AUG05	PRODUCT SPEC 108-1622	
MATERIAL SEE SHEET 1		APPLICATION SPEC 114-19029	SIZE A1	CAGE CODE 00779	DRAWING NO 6645084
FINISH SEE SHEET 1		WEIGHT -	RESTRICTED TO -		
CUSTOMER DRAWING			SCALE 4:1	SHEET 2	OF 2 REV B