



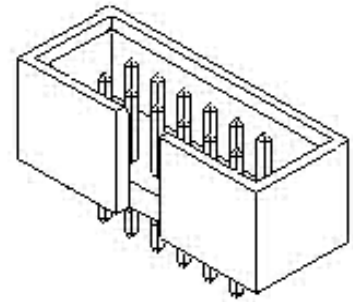
**Part Number :** [878343419](#)

**Product Description :** 2.54mm Pitch C-Grid Header, Dual Row, Low Profile, Vertical, Shrouded, 34 Circuits, 0.13µm Gold (Au) Plating, Black, without PCB Locator, without End Window, Center Polarization Slot, Lead-Free

**Series Number :** 87834

**Status :** Active

**Product Category :** PCB Headers and Receptacles



---

## Documents and Resources

### Drawings

[878343419 sd.pdf](#)

[PK-87835-001-001.pdf](#)

### 3D Models and Design Files

[STEP AP242](#)

[SOLIDWORKS](#)

[Creo](#)

[Symbol and Footprint \(Multi-Format\)](#)

### Specifications


[713080001-AS-000.pdf](#)

[PS-70246-100-001.pdf](#)

---

## Product Environment Compliance

### Compliance

GADSL/IMDS	Compliant with Exemption 44; 34; 33
China RoHS	 per SJ/T 11365-2006
EU ELV	Not Relevant
Low-Halogen Status	Not Low-Halogen per IEC 61249-2-21
REACH SVHC	Not Contained per D(2023)3788-

	DC (14 Jun 2023)
EU RoHS	Compliant per EU 2015/863

### Compliance Statements

- EU RoHS
- REACH SVHC
- Low-Halogen

### Industry Documents

- IPC 1752A Class C
- IPC 1752A Class D
- Molex Product Compliance Declaration
- IEC-62474
- chemSHERPA (xml)

### Substances of Interest

- PFAS

### EU RoHS Certificate of Compliance

### Additional Product Compliance Information

## Part Details

### General

Status	Active
Category	PCB Headers and Receptacles
Series	87834
Description	2.54mm Pitch C-Grid Header, Dual Row, Low Profile, Vertical, Shrouded, 34 Circuits, 0.13µm Gold (Au) Plating, Black, without PCB Locator, without End Window, Center Polarization Slot, Lead-Free
Application	Signal, Wire-to-Board
Component Type	PCB Header
Product Name	C-Grid
UPC	822348274932

### Agency

UL	E29179
----	--------

## Electrical

Current - Maximum per Contact	2.5A
Voltage - Maximum	250V DC

## Physical

Breakaway	No
Circuits (Loaded)	34
Circuits (maximum)	34
Color - Resin	Black
First Mate / Last Break	No
Glow-Wire Capable	No
Guide to Mating Part	No
Keying to Mating Part	No
Lock to Mating Part	No
Material - Plating Mating	Gold
Material - Plating Termination	Tin
Material - Resin	Polyester
Net Weight	4.565/g
Number of Rows	2
Orientation	Vertical
Packaging Type	Tray
PCB Locator	No
PCB Retention	No
PC Tail Length	3.43mm
Pitch - Mating Interface	2.54mm
Pitch - Termination Interface	2.54mm
Plating min - Mating	0.127µm
Plating min - Termination	1.905µm
Polarized to Mating Part	Center Slot
Polarized to PCB	Yes
Shrouded	Shrouded
Stackable	No
Temperature Range - Operating	-55° to +120°C
Termination Interface Style	Through Hole

## Solder Process Data

Max-Duration	3
Lead-Free Process Capability	WAVE
Max-Cycle	1
Max-Temp	235

---

## Mates With / Use With

### Mates with Part(s)

Description	Part Number
Mates With	1.27mm Pitch Ribbon Cable Connectors

---

This document was generated on May 07, 2026