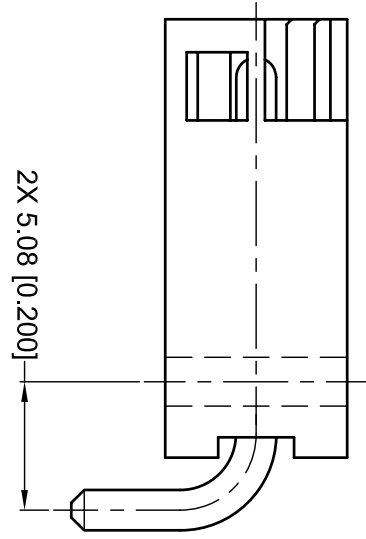
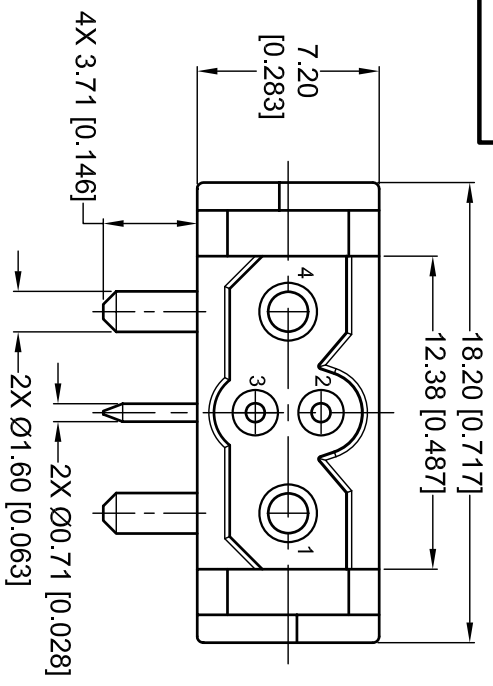
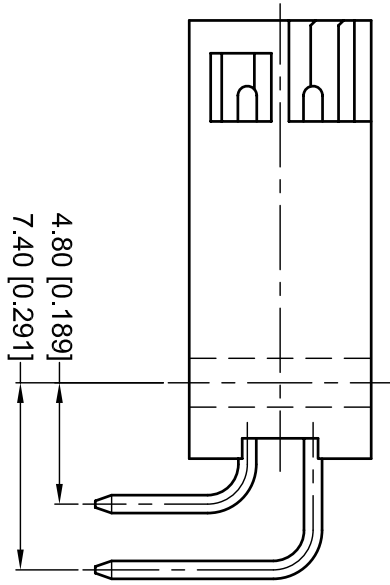


POSITRONIC ASIA PTE. LTD. BELIEVES THE DATA ON THE DRAWING IS CORRECT. THE USER SHALL BE RESPONSIBLE FOR THE INFORMATION GIVEN. THE USER EMPLOY'S SUCH INFORMATION AT HIS OWN DISCRETION AND RISK. POSITRONIC ASIA PTE. LTD. ASSUMES NO LIABILITY FOR SUCH INFORMATION IN WHOLE OR IN PART.

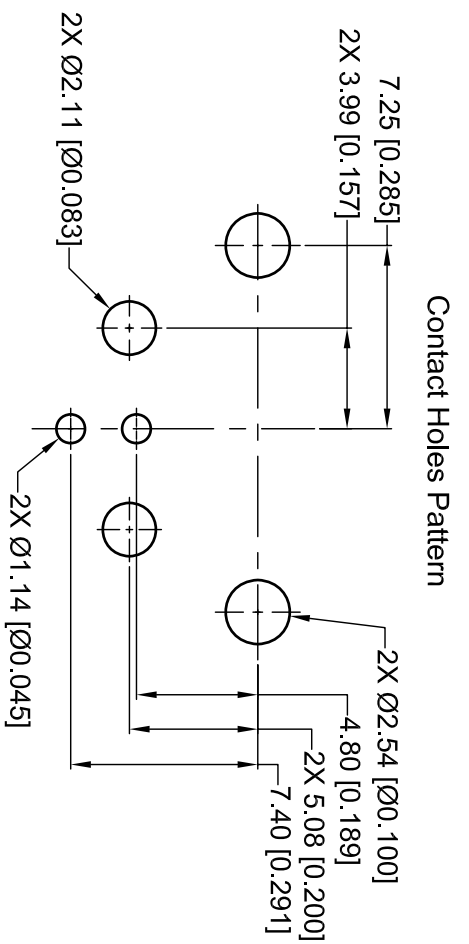
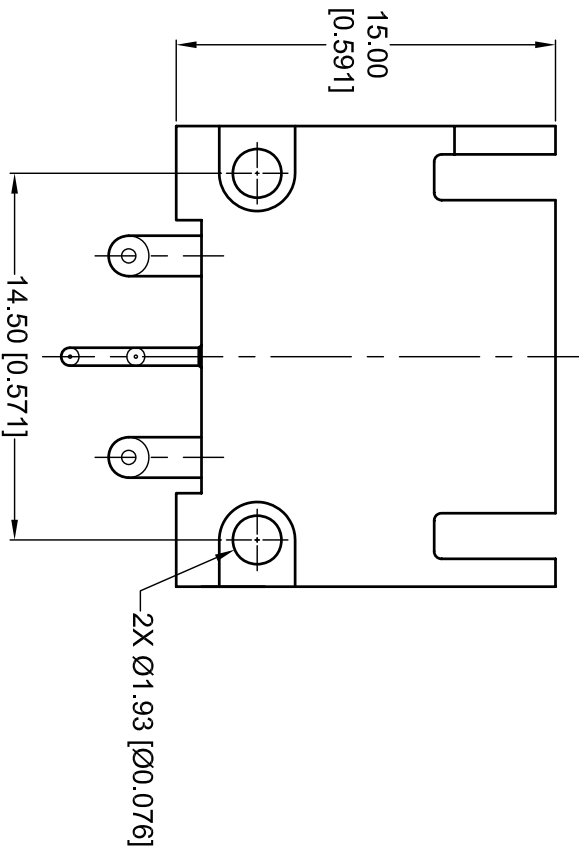
DATE	REV	REVISION RECORD	DRN	CKD	APP
20 JAN 06	NC	PA ECO05241	EH	KS	EC



Power Contacts



Signal Contacts



Contact Holes Pattern

NOTES:

- 1) MATERIALS AND FINISHES:
- A) INSULATOR: GLASS FILLED NYLON, UL 94V-0. COLOR: BLACK.
- B) CONTACTS: PRECISION MACHINED COPPER ALLOY WITH GOLD OVER NICKEL PLATE.

 **POSITRONIC ASIA PTE. LTD.**
 3014A UBI ROAD 1, #07-01, SINGAPORE 408703.
 Tel: (65) 6842-1419 / Fax: (65) 6842-1421 / Email: singapore@connectpositronic.com

GENERAL TOL.		SCALE		DRAWN		CHECKED		APPROVED	
LINEAR : ±0.38 [0.015]		NTS		EH					
ANGULAR : ±5°		DF		DF					
UNLESS OTHERWISE SPECIFIED ALL DIMENSIONS ARE IN MILLIMETERS [INCHES]		SERIES		TITLE		DATE		REV.	
		DF04M40		DF04M40		20 JAN 06		ASK20466 SHEET 1 OF 1 NC	