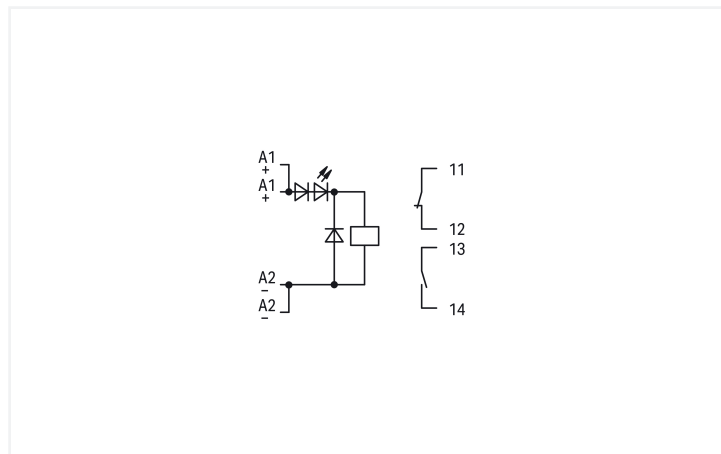


Data Sheet | Item Number: 286-320/004-000

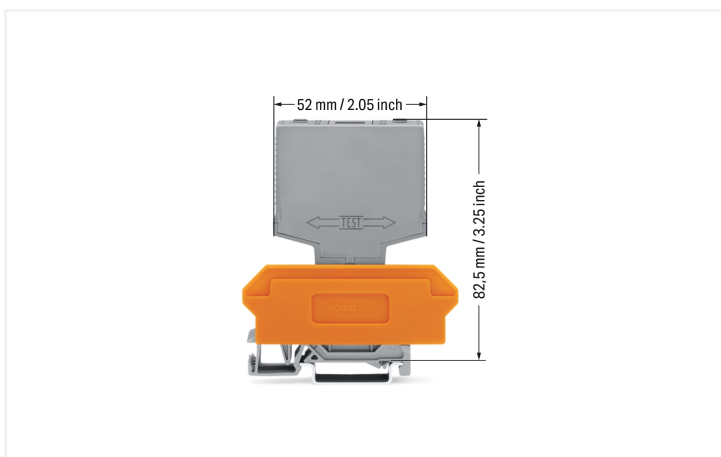
Relay module; Nominal input voltage: 24 VDC; 1 break and 1 make contact; Railway;
Red status indicator; Module width: 20 mm; gray

<https://www.wago.com/286-320/004-000>



Color: ■ gray

Similar to illustration



Technical data

Control circuit

Nominal input voltage U_N	24 VDC
Input voltage range	-30 ... +25 %
Nominal input current at U_N	20 mA

Load circuit

Number of break/switch-off contacts	1
Number of make/switch-on contacts	1
Contact material (relay)	AgSnO ₂
Limiting continuous current	6 A
Inrush current (resistive) max.	(AC) 15 A / 1 s
Switching Voltage, Max.	250 VAC
Switching power (resistive) max.	AC 1500 VA
Pull-in time (typ.)	10 ms
Drop-out time (typ.)	4 ms
Bounce time (typ.)	1 ms

Signaling

Status indicator	Red LED
------------------	---------

Safety and protection

Rated Voltage	250 V
Rated impulse withstand voltage	4 kV
Pollution degree	2
Dielectric strength (control/load circuit) (AC, 1 min)	3 kVrms
Dielectric strength (open contact) (AC, 1 min)	1 kVrms
Dielectric strength (load/load circuit) (AC, 1 min)	1.5 kVrms
Protection type	IP20

Physical data

Width	20 mm / 0.787 inches
Height	52 mm / 2.047 inches
Depth from upper-edge of DIN-rail	82.5 mm / 3.248 inches
Note (dimensions)	Depth including carrier terminal block

Mechanical data

Mounting type	Pluggable module for receptacle terminal blocks
---------------	---

Material data

Note (material data)	Information on material specifications can be found here
Color	gray
Fire load	0.354 MJ
Weight	29.9 g

Environmental requirements

Ambient temperature (operation at U_N)	-25 ... +70 °C
Ambient temperature (storage)	-25 ... +70 °C
Processing temperature	-25 ... +50 °C
Relative humidity	5 ... 85 % (no condensation permissible)
Operating altitude (max.)	2000 m

Standards and Specifications

Standards/specifications	EN 60664-1
--------------------------	------------

Commercial data

Product Group	6 (INTERFACE ELECTRONIC)
PU (SPU)	10 (1) pcs
Packaging type	Box
Country of origin	DE
GTIN	4017332426923
Customs tariff number	85364900990

Product Classification

UNSPSC	39122334
eCl@ss 10.0	27-37-16-01
eCl@ss 9.0	27-37-16-01
ETIM 9.0	EC001437
ETIM 10.0	EC001437
ECCN	NO US CLASSIFICATION

Environmental Product Compliance

CAS-No.	7439-92-1 79-94-7
REACH Candidate List Substance	2,2',6,6'-tetrabromo-4,4'-isopropylidenediphenol Lead
RoHS Compliance Status	Compliant,With Exemption
RoHS Exemption	7(a)
SCIP notification number (Austria)	610345a0-916d-4e10-a358-1e6f85c3dbbb
SCIP notification number (Belgium)	e46e67b7-9799-49c8-9216-87539f99f8dc
SCIP notification number (Bulgaria)	aa9b4762-31f1-4f75-bbb5-81dd1ba04525
SCIP notification number (Czech Republic)	55e689a3-144c-4552-abf2-cab40c32c484
SCIP notification number (Denmark)	02a05754-be9c-4031-aa17-03899f4015cb
SCIP notification number (Finland)	8e9a5848-167c-44a8-aa61-c86d6d287e86
SCIP notification number (France)	c25fbd2-eb64-49e6-bd57-798fe9a34dee
SCIP notification number (Germany)	641e9fcb-9af4-48c1-ab2f-6f7251da2952
SCIP notification number (Hungary)	e27f81d5-cddb-40e4-a0fe-3448cf4e1057
SCIP notification number (Italy)	7206583b-b73e-427a-81e3-f098457f4db3
SCIP notification number (Netherlands)	fcaaa6cb-5d4e-4fd6-a609-720c08cbc672
SCIP notification number (Poland)	6fcaba71-86ba-473f-8ce1-f7c20bd08ff5
SCIP notification number (Romania)	617886a9-9671-4421-a55f-b4a493b95858
SCIP notification number (Sweden)	571c9552-ed34-491b-ad09-e4fc1195bf0d

Approvals / Certificates

General approvals



Approval	Standard	Certificate Name
EAC GZO Almaty Standart	TP TC 004/2011	EAC CoC 03078

Downloads

Environmental Product Compliance

Compliance Search	
Environmental Product Compliance 286-320/004-000	

Documentation

Bid Text

286-320/004-000	19.02.2019	xml 3.84 KB	↓
286-320/004-000	27.03.2015	doc 26.50 KB	↓

Instruction Leaflet

Operation and Assembly Instructions Interface	V 1.0.0 02.04.2025	pdf 1246.19 KB	↓
---	-----------------------	-------------------	---

CAD/CAE-Data

CAE data

WSCAD Universe 286-320/004-000	↓
-----------------------------------	---

1 Compatible Products

1.1 Optional Accessories

1.1.1 Marking

1.1.1.1 Marker



Item No.: 209-701

WSB marking card; as card; not stretchable; plain; snap-on type; white

1.1.2 Terminal blocks

1.1.2.1 Terminal block for pluggable modules



Item No.: 280-638

Terminal block for pluggable modules; 8-pole; with 2-conductor terminal blocks; with orange separator; for DIN-rail 35 x 15 and 35 x 7.5; 2.5 mm²; CAGE CLAMP®; 2,50 mm²; gray



Item No.: 280-764

Terminal block for pluggable modules; 8-pole; with 4-conductor terminal blocks; with marker carrier; with orange separator; for DIN-rail 35 x 15 and 35 x 7.5; 2.5 mm²; CAGE CLAMP®; 2,50 mm²; gray

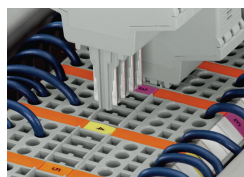


Item No.: 280-628

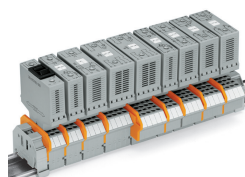
Terminal block for pluggable modules; 8-pole; with 4-conductor terminal blocks; with orange separator; for DIN-rail 35 x 15 and 35 x 7.5; 2.5 mm²; CAGE CLAMP®; 2,50 mm²; gray

Installation Notes

Installation



Coding ensures correct polarity.



Pluggable electronic modules on 2- or 4-conductor carrier terminal blocks

Marking



Marking via WMB Multi Marking System.

Testing



Function testing via touch-proof test slots