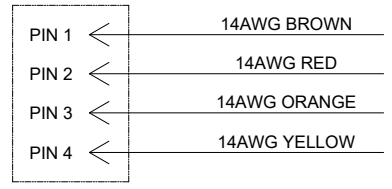
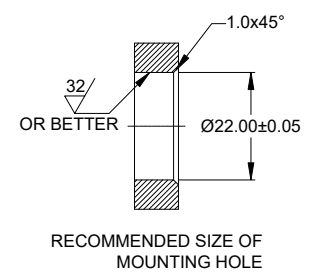
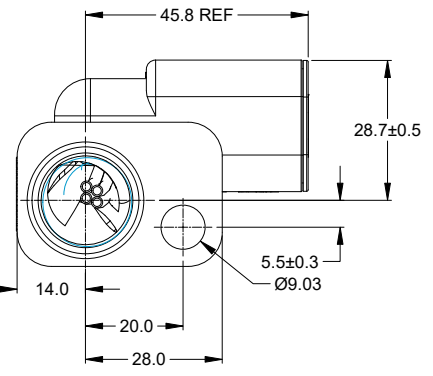
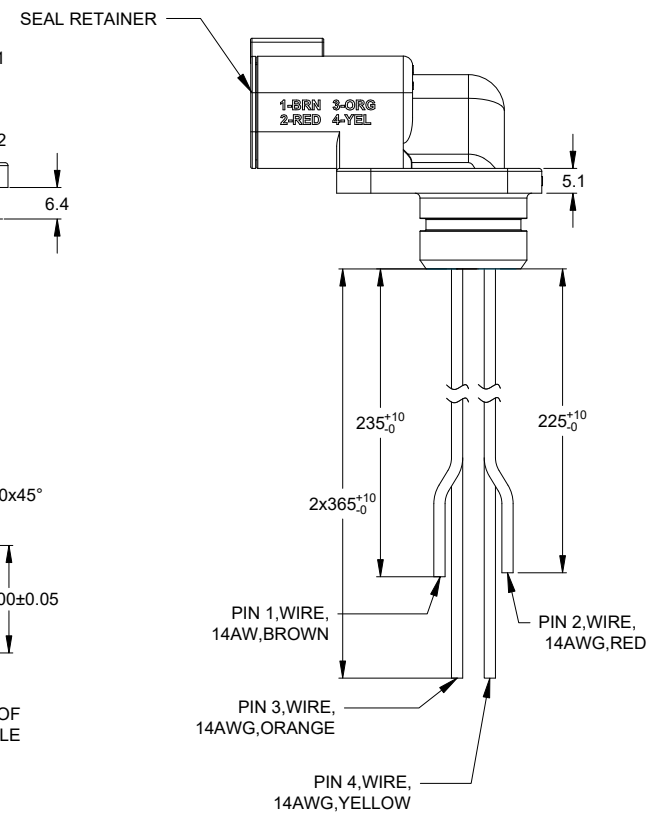
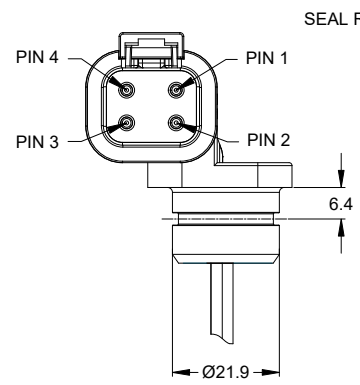
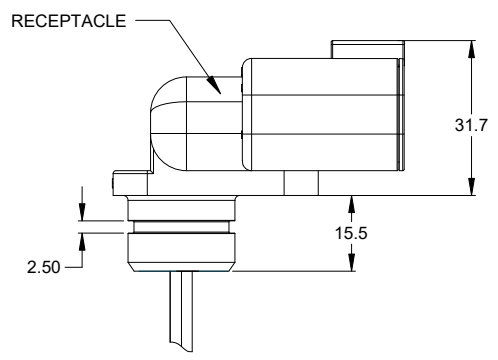
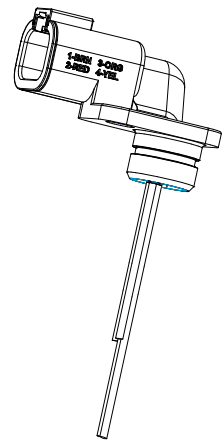


TITIAL POS FLANGE MNT RECEPT 90° PINS ATP FEED THRU WIRESSGRTV / DWG NO. ATP04-4P-P052 / REV. A2 / SH. 1 / OF. 1

REVISIONS					
REV	ECO	DESCRIPTION	DATE	BY	APPR
A1	-	RELEASE NEW DRAWING	17/JUL/23	VITO	TOMMY
A2	-	REVISED DRAWING DESCRIPTION	5/JUN/24	JHEAD	BRETT



WIRING DIAGRAM

NOTES:
1. MATERIALS:

CONNECTOR:
HOUSING: THERMOPLASTIC PA66; COLOR: GREY
SEAL: SILICONE RUBBER
CONTACT: COPPER ALLOY

WIRES:
CONDUCTOR: COPPER
JACKET: EXTRUDED TFE (TEFLON) INSULATION.
CONDUCTORS ARE PER MIL-W-16878/4, TYPE E, 14AWG,
19 STRAND SILVER-PLATED COPPER CONDUCTOR,
TEMPERATURE: -60°C TO +200°C, VOLTAGE: 600V RMS.

2. CONNECTOR SPECIFICATIONS:
- 2.1 CURRENT RATING: 25 AMPS
 - 2.2 OPERATING TEMPERATURE: -55°C TO +125°C
 - 2.3 DIELECTRIC WITHSTANDING VOLTAGE: LESS THAN 2 MILLIAMPS CURRENT LEAKAGE @ 1500 VOLTS AC.
 - 2.4 INSULATION RESISTANCE: 1000 MEGOHMS MIN @ 25°C.
 - 2.5 MOISTURE RESISTANCE:
IP68 (1M OF WATER FOR A PERIOD OF 24 HOURS, MATED CONDITION);
IP69K (MATED CONDITION)
 - 2.6 MATING CYCLE DURABILITY: 100 CYCLES

3. MATING CONNECTOR: ATP06-4S* PLUG
(* = MODIFICATIONS AND/OR COLORS)

4. UNTOLERANCED DIMENSIONS ARE FOR REFERENCE USE ONLY.

5. FLANGE MOUNTING SIZE AND HOLE DIAMETER ARE ENLARGED TO ACCOMODATE A STANDARD SPLIT SEAM COMPRESSION LIMITER (CUSTOMER SUPPLIED)
>SPIROL< SIZE: M6. TYPE, LENGTH AND FINISH DEFINED BY CUSTOMER

ATP04-4P-P052		REF-DTP04-4P-P052	
QUANTITY	PART NUMBER	DESCRIPTION	ITEM
MATERIALS LIST			
UNLESS OTHERWISE SPECIFIED 1) All dimensions are in metric(mm). 2) Tolerances are as follows: 1 PL DEC ±0.30 Fractions ±1/64 2 PL DEC ±0.15 Angles ±1° 3 PL DEC ±0.08		SIGNATURES DATE DRAWN: VITO 17/JUL/23 CHECKED: ORION 18/JUL/23 ENGINEER: APPROVAL: TOMMY 19/JUL/23 CUSTOMER:	
MATERIAL SPECIFICATIONS: WEIGHT: 32.0g		Amphenol Sine Systems - www.amphenol-sine.com 44724 Morley Drive Clinton Township, MI 48036	
PROCESS SPECIFICATIONS: NEXT ASSY:		THIS DRAWING IS SUPPLIED FOR INFORMATION ONLY. DESIGN FEATURES, SPECIFICATIONS AND PERFORMANCE DATA SHOWN HEREON ARE THE PROPERTY OF THE AMPHENOL CORPORATION. NO RIGHTS OF REPRODUCTION ARE IMPLIED. ALL DIMENSIONS ARE SUBJECT TO NORMAL MANUFACTURING VARIATIONS.	
		SIZE: B C-	DWG NO: ATP04-4P-P052
		SCALE: NONE	REVISION: A2
		SHEET 1 OF 1	