

Data Sheet | Item Number: 209-151

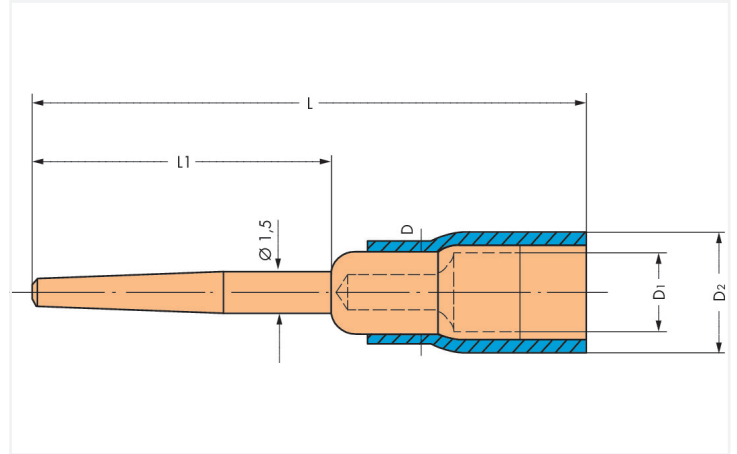
Pin terminals; insulated; suitable for 271 and 272 Series; green

<https://www.wago.com/209-151>



Color: ■ green

Similar to illustration



Dimensions in mm

Connection Data

Strip length 4 ... 4.5 mm / 0.16 ... 0.18 inches

Physical data

Length	17 mm
Crimp length (length of sleeve)	7.5 mm
Inner diameter of plastic collar	3 mm
Diameter crimp sleeve inside	4.7 mm

Material data

Color	green
Weight	0.5 g

Commercial data

Product Group	2 (Terminal Block Accessories)
PU (SPU)	100 pcs
Packaging type	Bag
Country of origin	PL
GTIN	4017332271523
Customs tariff number	85369010000
End of Sale	2020-09-01
End of Production	2020-09-06
End of Delivery	2020-09-16
End of Service and Repair	2022-09-01



Product Classification

UNSPSC	39121405
eCl@ss 10.0	27-40-02-04
eCl@ss 9.0	27-40-02-04
ETIM 9.0	EC001052
ETIM 10.0	EC001052
ECCN	NO US CLASSIFICATION

Environmental Product Compliance

RoHS Compliance Status	Compliant, No Exemption
------------------------	-------------------------

Downloads

Environmental Product Compliance

Compliance Search	
Environmental Product Compliance 209-151	