

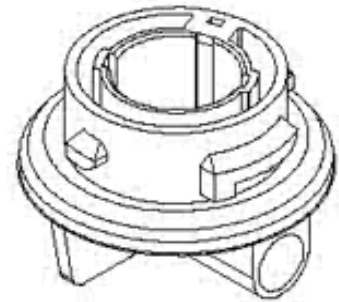
Part Number : [358431217](#)

Product Description : PT Bulb Socket Single Housing Assembly, Sealed, Type B, Brown

Series Number : 35843

Status : Obsolete

Product Category : Sockets



Documents and Resources

Drawings

[358431217_sd.pdf](#)

Specifications

[PK-35843-001-001.pdf](#)

Product Environment Compliance

Compliance

GADSL/IMDS	Duty-To-Declare
China RoHS	Not Relevant
EU ELV	Compliant per 2000/53/EC
Low-Halogen Status	Not Reviewed per IEC 61249-2-21
REACH SVHC	Not Contained per D(2025)4165-DC (25 June 2025)
EU RoHS	Compliant per EU 2015/863

Compliance Statements

- EU RoHS
- REACH SVHC
- Low-Halogen

Industry Documents

- IPC 1752A Class C
- IPC 1752A Class D
- Molex Product Compliance Declaration
- IEC-62474
- chemSHERPA (xml)

Substances of Interest

- PFAS

EU RoHS Certificate of Compliance

Additional Product Compliance Information

Part Details

General

Status	Obsolete
Category	Sockets
Series	35843
Description	PT Bulb Socket Single Housing Assembly, Sealed, Type B, Brown
Comments	B-Type
Component Type	Socket
Product Name	Bulb Socket
UPC	756054269923

Electrical

Current - Maximum per Contact	5.0A, 7.0A
Voltage - Maximum	12V

Physical

Circuits (Loaded)	2
Circuits (maximum)	2
Color - Resin	Brown
Durability (mating cycles max)	30
Entry Angle	Vertical
Keying to Mating Part	No
Material - Resin	Nylon
Net Weight	10.538/g
Packaging Type	Bag
PCB Locator	No
PCB Retention	N/A
Pitch - Mating Interface	N/A
Temperature Range - Operating	-40° to +105°C
Termination Interface Style	Through Hole

Mates With / Use With

Mates with Part(s)

Description	Part Number
Mates With	Lamp

Use with Part(s)

Description	Part Number
Positive Terminal for PT Bulb Socket, AVSS 0.50~0.85mm ²	<u>354648000</u>
Earth Terminal for PT Bulb Socket, AVSS 0.50~0.85mm ²	<u>354658000</u>
Positive Silicone Rubber Wire Seal for Sealed PT Bulb Socket	<u>359030096</u>
Earth Silicone Rubber Wire Seal for Sealed PT Bulb Socket	<u>359030106</u>

This document was generated on May 04, 2026

Obsolete