

6

5

4

3

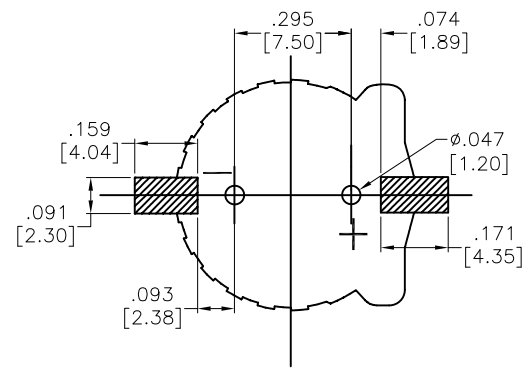
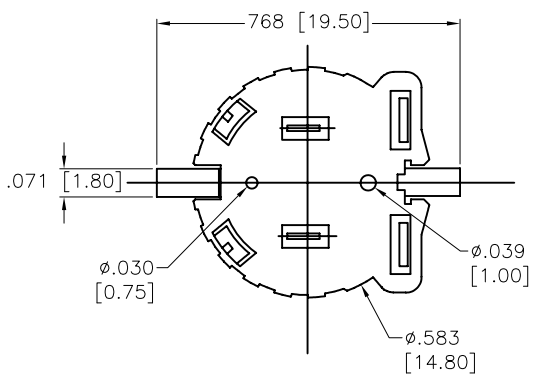
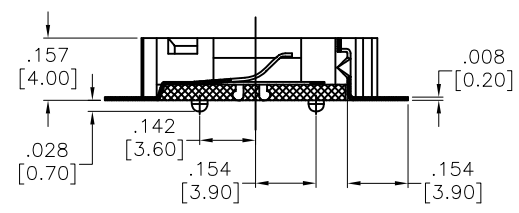
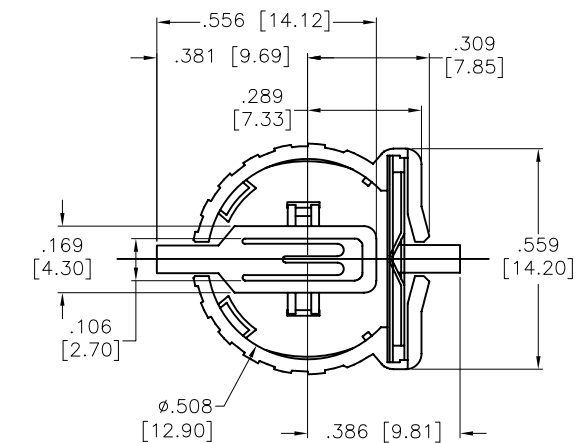
2

1

APPROVED: _____

DATE: _____ TITLE: _____

Rev	AWO #	Description	Date	Appr
-		RELEASED	8/11/16	



RECOMMENDED PCB LAYOUT

SPECIFICATIONS:

- Material:
- Housing: Hi-Temp Thermoplastic (PPS) rated UL94V-0, Color: Brown
- Contact: Phosphor Bronze, Gold plated
- Electrical:
- Contact resistance: 30 mohms max
- Insulation resistance: 1,000 Mohms min
- Dielectric Voltage: 500 VAC one sec level
- Temperature Rating:
- Operating temperature: -25°C to +85°C.
- Environmental:
- Lead free, RoHS compliant



UNLESS OTHERWISE SPECIFIED ALL DIMENSIONS ARE INCHES [MM] TOLERANCES: EXCEPT AS NOTED			
INCHES		HOLES	
.X	± .10	Ø.X	± .10
.XX	± .020	Ø.XX	± .015
.XXX	± .015	Ø.XXX	± .010
APPROVALS		DATE	
DRAWN	AY	8/11/16	
CHECKED	LW	8/11/16	
APPROVED			

ADAM TECH
909 Rahway Avenue, Union, NJ 07083
Phone: 908-687-5000 Fax: 908-687-5710

TITLE: **BATTERY HOLDER, SURFACE MOUNT,
FOR CR1220, BROWN COLOR**

SIZE X	PART NO. BH-44C-5	REV. -
REF: S00138C	SCALE: NTS	SHEET 1 OF 1

6

5

4

3

2

1