



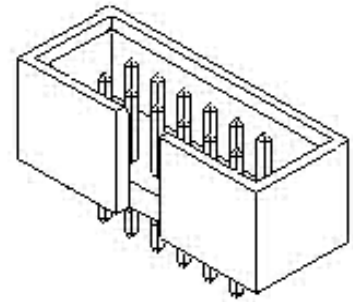
Part Number : [878344019](#)

Product Description : 2.54mm Pitch C-Grid Header, Dual Row, Low Profile, Vertical, Shrouded, 40 Circuits, 0.13µm Gold (Au) Plating, Black, without PCB Locator, without End Window, Center Polarization Slot, Lead-Free

Series Number : 87834

Status : Active

Product Category : PCB Headers and Receptacles



Documents and Resources

Drawings

[878344019_sd.pdf](#)

[PK-87835-001-001.pdf](#)

3D Models and Design Files

[STEP AP242](#)

[SOLIDWORKS](#)

[Creo](#)

[Symbol and Footprint \(Multi-Format\)](#)


Specifications

[713080001-AS-000.pdf](#)

[PS-70246-100-001.pdf](#)

Product Environment Compliance

Compliance

GADSL/IMDS	Compliant with Exemption 44; 34; 33
China RoHS	 per SJ/T 11365-2006
EU ELV	Not Relevant
Low-Halogen Status	Not Low-Halogen per IEC 61249-2-21
REACH SVHC	Not Contained per D(2023)3788-

	DC (14 Jun 2023)
EU RoHS	Compliant per EU 2015/863

Compliance Statements

- EU RoHS
- REACH SVHC
- Low-Halogen

Industry Documents

- IPC 1752A Class C
- IPC 1752A Class D
- Molex Product Compliance Declaration
- IEC-62474
- chemSHERPA (xml)

Substances of Interest

- PFAS

EU RoHS Certificate of Compliance

Additional Product Compliance Information

Part Details

General

Status	Active
Category	PCB Headers and Receptacles
Series	87834
Description	2.54mm Pitch C-Grid Header, Dual Row, Low Profile, Vertical, Shrouded, 40 Circuits, 0.13µm Gold (Au) Plating, Black, without PCB Locator, without End Window, Center Polarization Slot, Lead-Free
Application	Signal, Wire-to-Board
Component Type	PCB Header
Product Name	C-Grid
UPC	822348274963

Agency

UL	E29179
----	--------

Electrical

Current - Maximum per Contact	2.5A
Voltage - Maximum	250V DC

Physical

Breakaway	No
Circuits (Loaded)	40
Circuits (maximum)	40
Color - Resin	Black
First Mate / Last Break	No
Glow-Wire Capable	No
Guide to Mating Part	No
Keying to Mating Part	No
Lock to Mating Part	No
Material - Plating Mating	Gold
Material - Plating Termination	Tin
Material - Resin	Polyester
Net Weight	5.279/g
Number of Rows	2
Orientation	Vertical
Packaging Type	Tray
PCB Locator	No
PCB Retention	No
PC Tail Length	3.43mm
Pitch - Mating Interface	2.54mm
Pitch - Termination Interface	2.54mm
Plating min - Mating	0.127µm
Plating min - Termination	1.905µm
Polarized to Mating Part	Center Slot
Polarized to PCB	Yes
Shrouded	Shrouded
Stackable	No
Temperature Range - Operating	-55° to +120°C
Termination Interface Style	Through Hole

Solder Process Data

Max-Duration	3
Lead-Free Process Capability	WAVE
Max-Cycle	1
Max-Temp	235

Mates With / Use With

Mates with Part(s)

Description	Part Number
Mates With	1.27mm Pitch Ribbon Cable Connectors

This document was generated on Apr 30, 2026