

Encoders

Ring Encoder

35mm Size Ring Type
EC35A Series

Thin-profile design with a 4.5mm body thickness and excellent operation feel.


 Automotive

- Output signal: Two phase A and B
- Ratings: 10mA 5V DC
- Operating life: 50,000 cycles

Applications: Home: Office equipment
 Audio_TV: Visual
 Automotive: Navigation/audio systems, HVAC

■ Product List

Products No.	Actuator length (mm)	Detent torque	Number of detent	Number of pulse	Automotive	Drawing No.
EC35A1520402	20.0	18±7mN·m	30	15	●	1
EC35A0930401	20.0	22±8mN·m	18	9	●	2
EC35A1550502	25.0	30±15mN·m	30	15	●	3

 Note

1. This catalog shows only outline specifications. When using the products, please obtain formal specifications for supply.
2. Please place purchase orders per minimum order unit (integer).

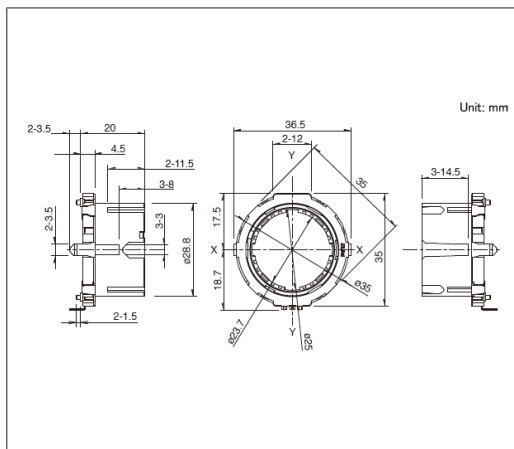
■ Packing Specifications

Tray

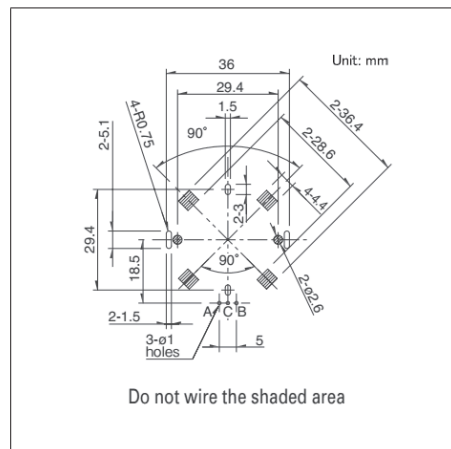
Products No.	Number of packages (pcs.)		Export package measurements (mm)
	1 case / Japan	1 case / export packing	
EC35A1520402 EC35A0930401	420	840	540 x 360 x 380
EC35A1550502	350	700	540 x 360 x 380

Drawing No. 1

■ Dimensions



■ Mounting Hole Dimensions

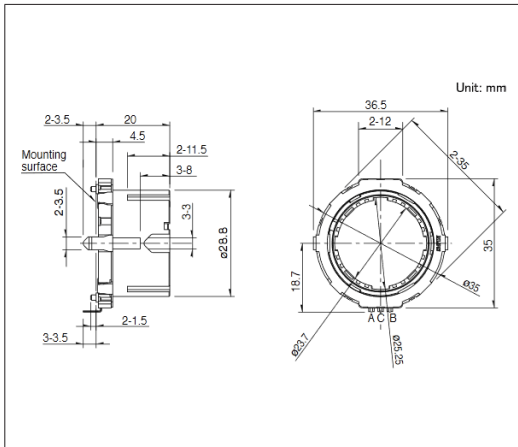


Viewed from mounting side

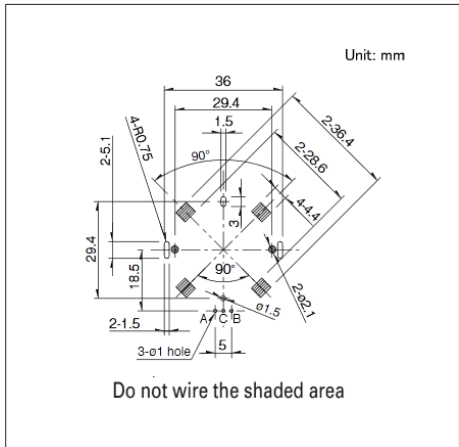
35mm Size Ring Type
EC35A Series

Drawing No.2

■ Dimensions



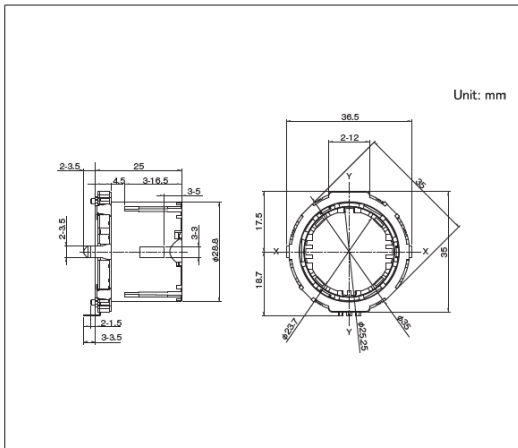
■ Mounting Hole Dimensions



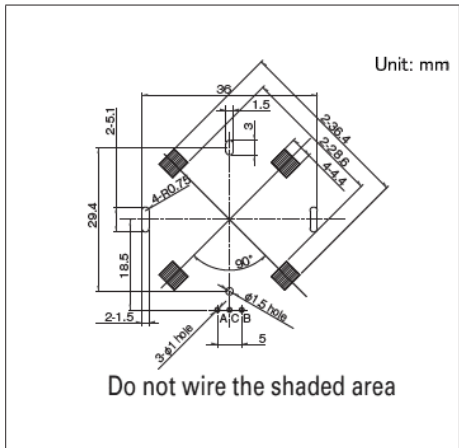
Viewed from mounting side

Drawing No.3

■ Dimensions



■ Mounting Hole Dimensions



Viewed from mounting side