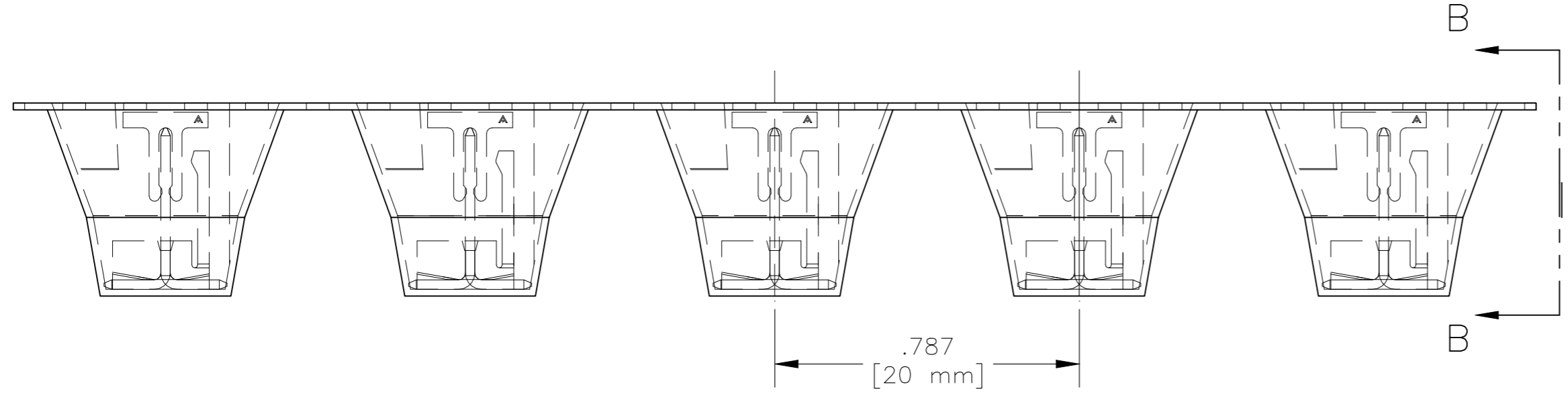
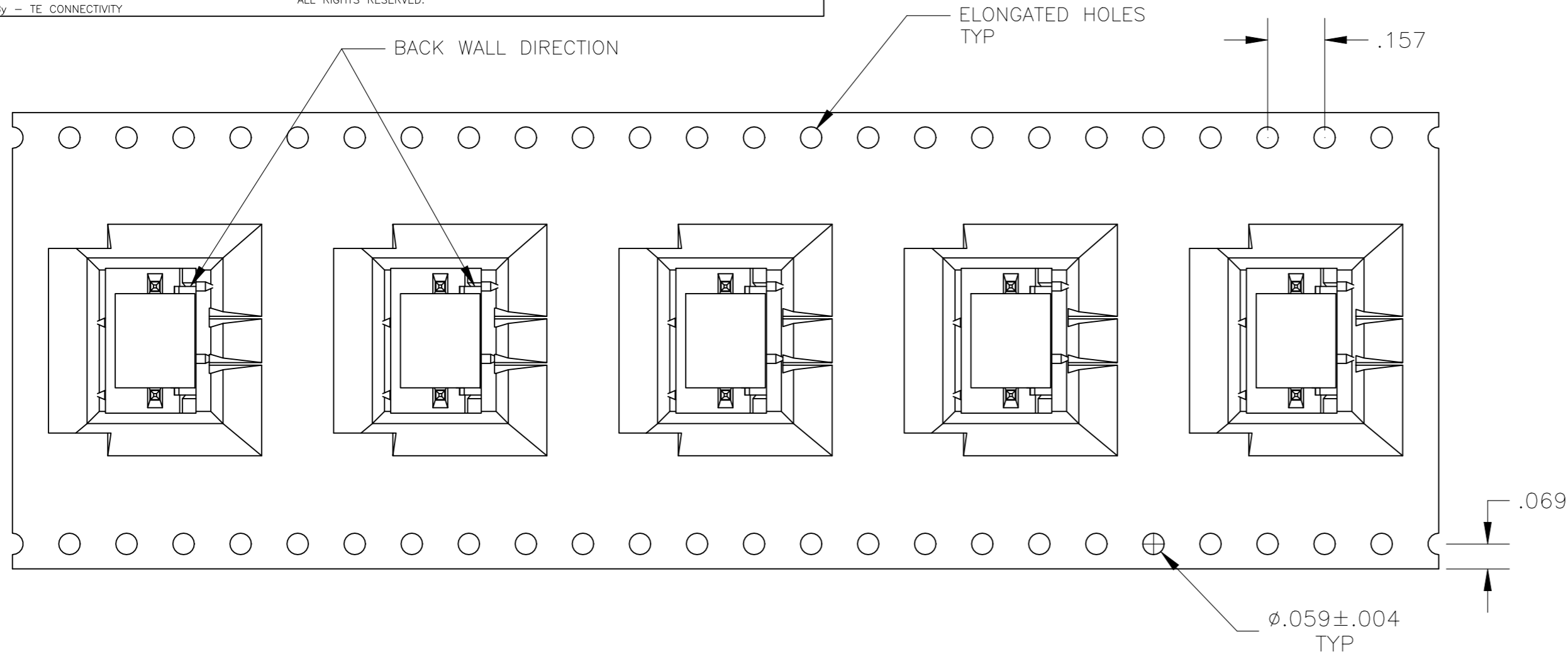
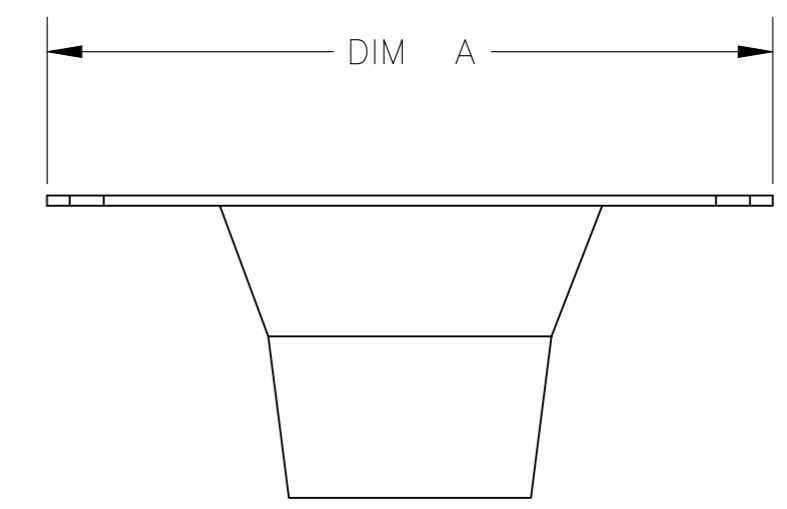


THIS DRAWING IS UNPUBLISHED. RELEASED FOR PUBLICATION  
 © COPYRIGHT - By - TE CONNECTIVITY ALL RIGHTS RESERVED.

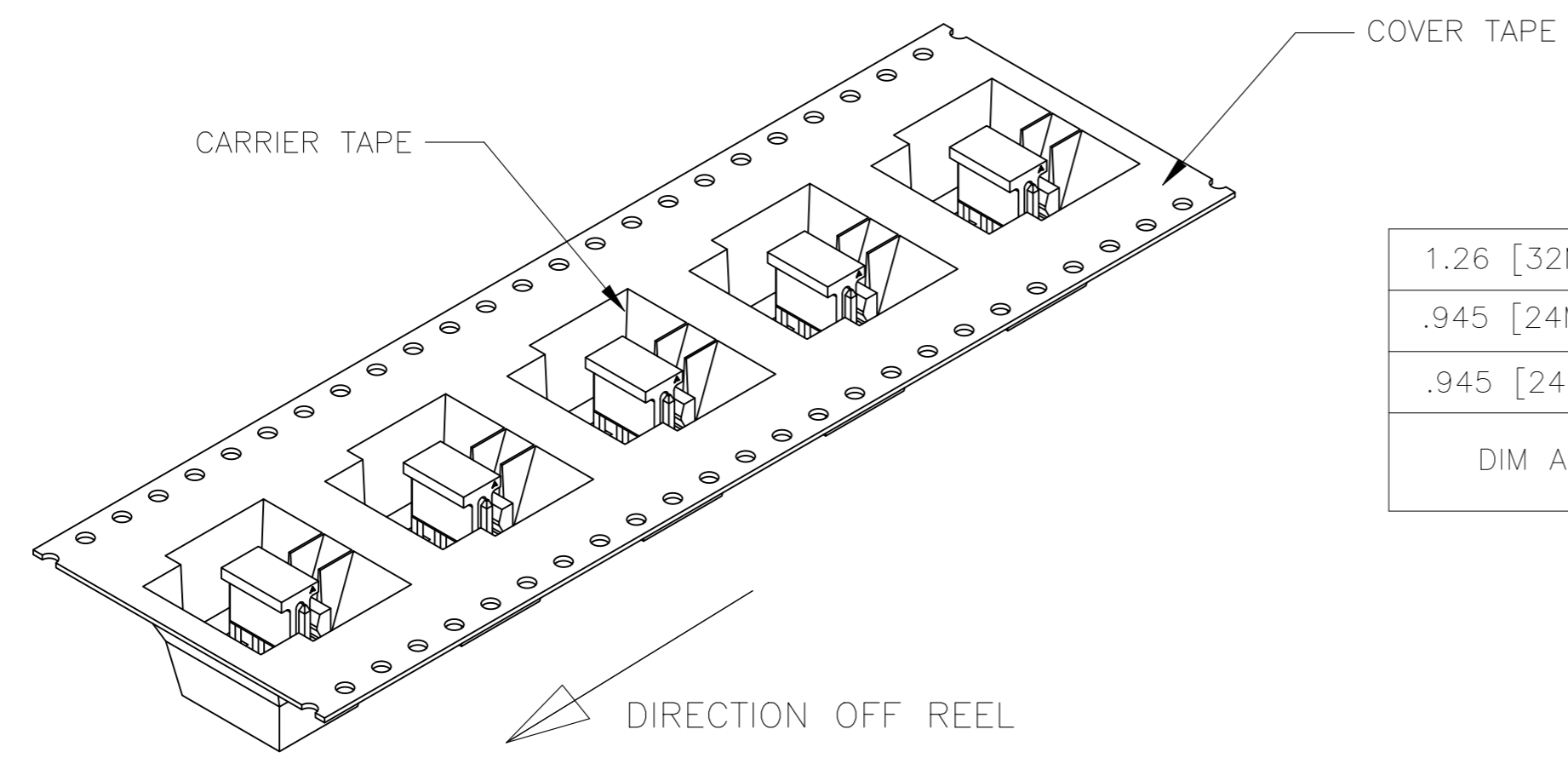
REVISIONS					
P	LTR	DESCRIPTION	DATE	DWN	APVD
B		REVISED PER ECR-23-182036	07AUG2023	AK	JP



- 1 MATERIAL:  
HOUSING- NYLON, 4/6, HIGH TEMP, BLACK.  
CONTACT- COPPER ALLOY  
CAVITY CARRIER TAPE- BLACK CONDUCTIVE PLOYCARBONATE
- 2 FINISH:  
CONTACT - TIN PLATE
- 3 POST TO WITHSTAND 13 NEWTONS [ 3 LBS ] MIN AXIAL FORCE IN THIS DIRECTION WITHOUT DISLODGING, BEFORE SOLDERING.
- 4 POSTS SOLDERDETAILS MUST COMPLY WITH TE SOLDERABILITY SPEC 109-11-2.
- 5 MEASURED AT [-A-]
- 6 APPLIES WHEN HEADER IS HELD STRAIGHT
- 7 COORDINATE DIM APPLIES FROM CENTER OF ACTUAL FEATURE.
- 8 DIMENSION APPLY TO THE COMPONENT SIDE OF BOARD
- 9 MAX TEMP EXPOSURE DURING REFLOW SOLDERING MAY NOT EXCEED 280°C [ 536°F].
- 10 HEADERS ARE SUPPLIED ON A 330.2mm [13] DIAMETER REEL WITH 225 PARTS PER REEL. THE CAVITY CARRIER TAPE HOLDS 1 PART PER POCKET, ORIENTED AS SHOWN.
- 11 TE LOGO, UL AND CSA TRADEMARKS MARKED AT THIS LOACTION



VIEW B-B



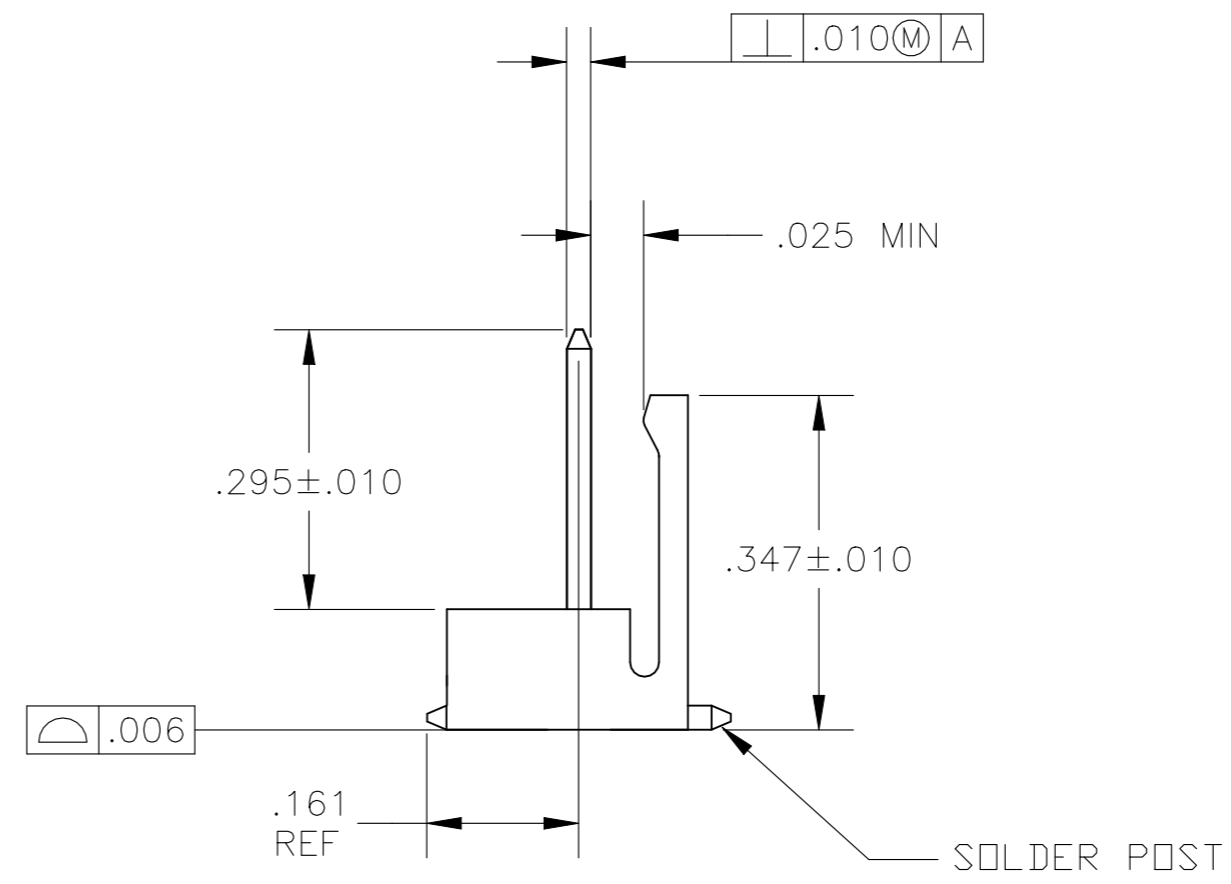
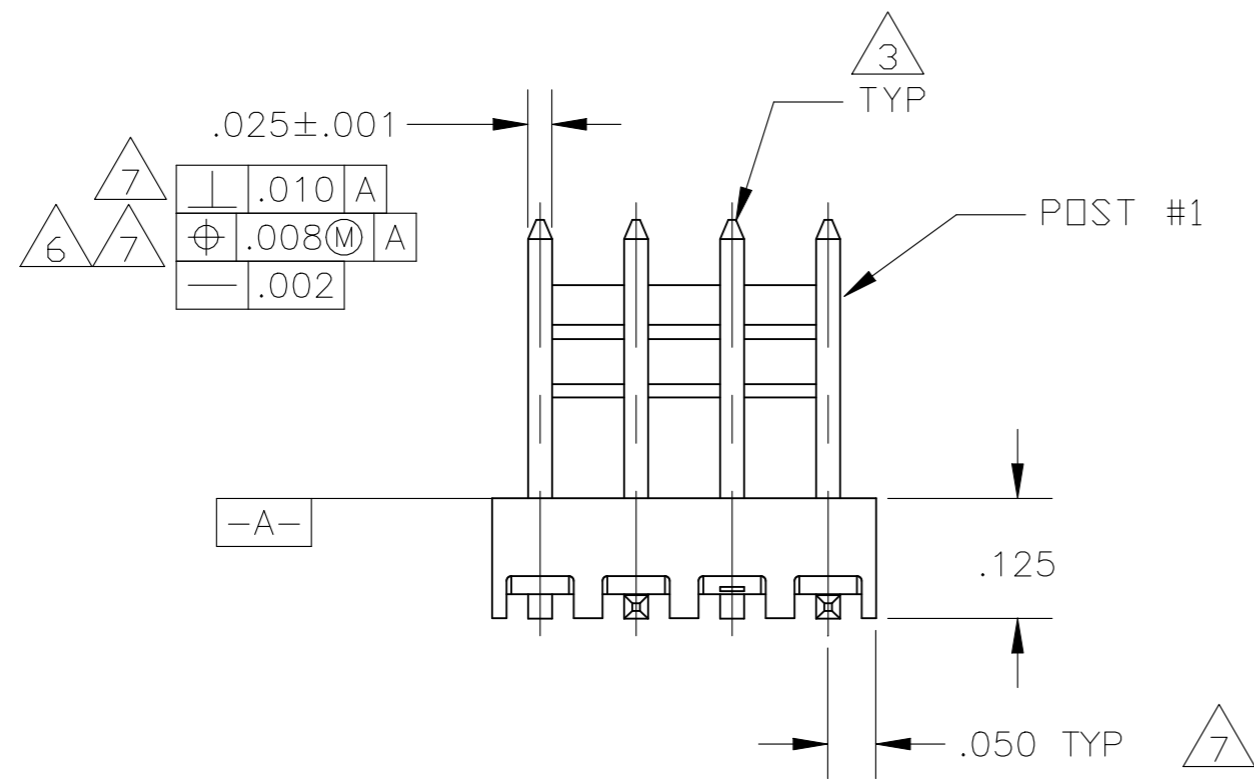
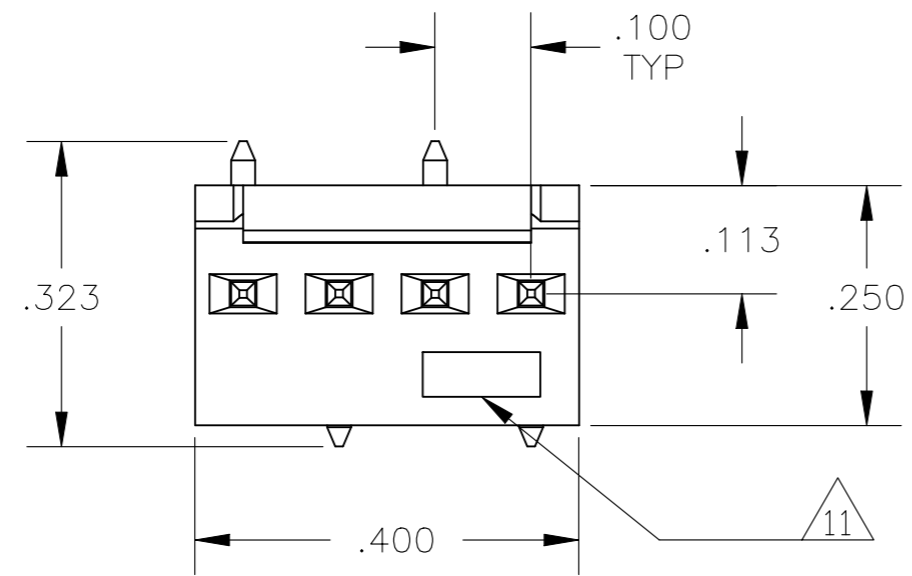
1.26 [32MM]	972366-4	1706504-4	147117-5	4	3-647166-4	2331450-4
.945 [24MM]	972366-3	1706504-3	147117-5	3	3-647166-3	2331450-3
.945 [24MM]	972366-3	1706504-2	147117-5	2	3-647166-2	2331450-2
DIM A	COVER TAPE	CARRIER TAPE	PICK AND PLACE CAP	NO. OF POSITIONS	HEADER ASSEMBLY	PART NO

THIS DRAWING IS A CONTROLLED DOCUMENT.

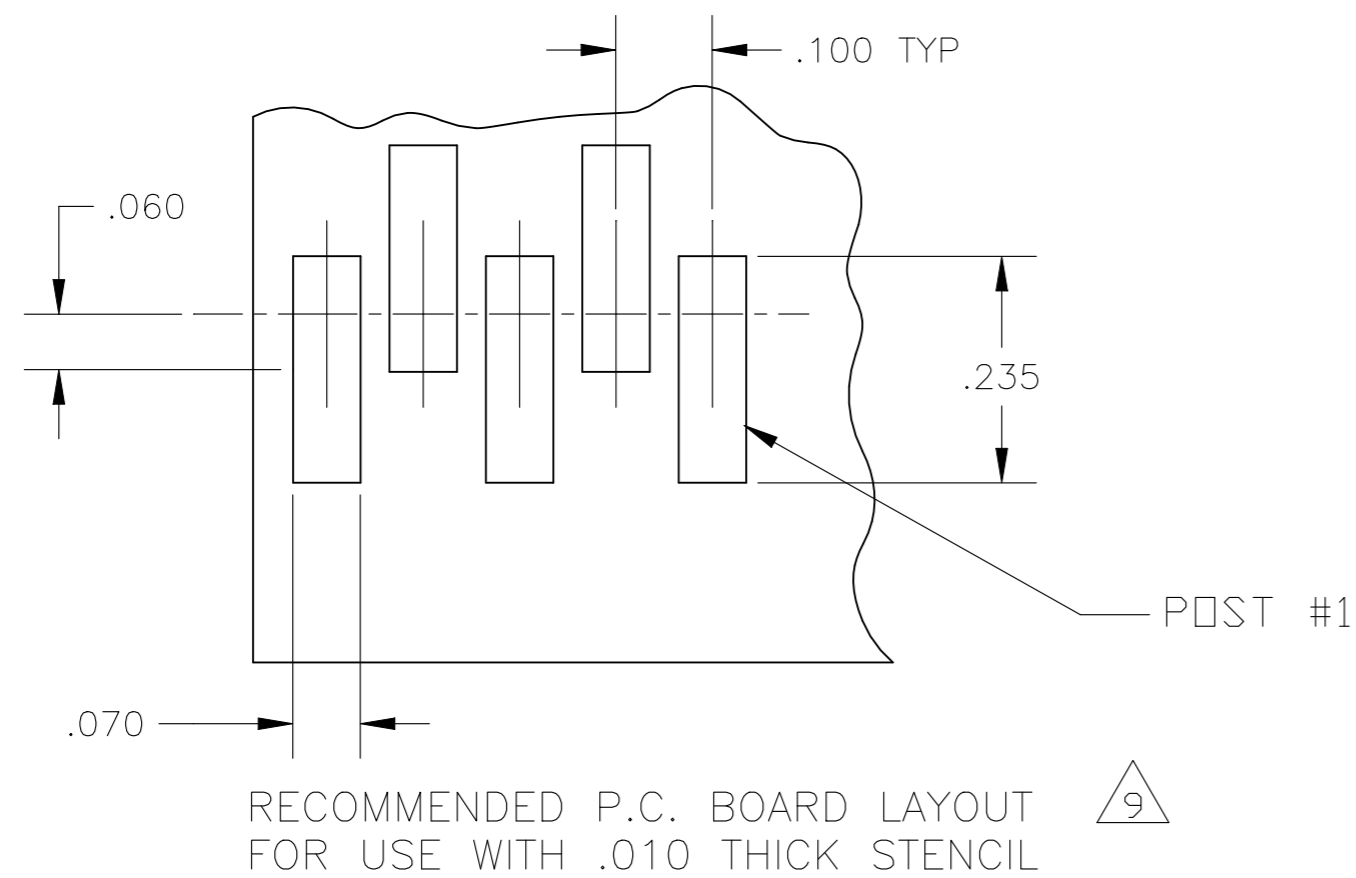
DIMENSIONS: INCHES	TOLERANCES UNLESS OTHERWISE SPECIFIED: 0 PLC ± - 1 PLC ± - 2 PLC ± - 3 PLC ± .015 4 PLC ± - ANGLES ± 1°	DWN BASVESH WARAD 01MAR2018 CHK GUERRIERO, SHAYNIA 01MAR2018 APVD GUERRIERO, SHAYNIA 01MAR2018	NAME MTA100 HDR ASSY,SM,FL,SN, HT, T&R
MATERIAL	FINISH	PRODUCT SPEC 108-1050 APPLICATION SPEC 114-1019	SIZE A2 CAGE CODE 00779 DRAWING NO C=2331450
CUSTOMER DRAWING		WEIGHT	RESTRICTED TO
		SCALE 3:1	SHEET 1 of 3 REV B

THIS DRAWING IS UNPUBLISHED. RELEASED FOR PUBLICATION  
 © COPYRIGHT - By - ALL RIGHTS RESERVED.

REVISIONS					
P	LTR	DESCRIPTION	DATE	DWN	APVD
-	-	SEE SHEET 1	-	-	-



MTA-100 4P HEADER SHOWN

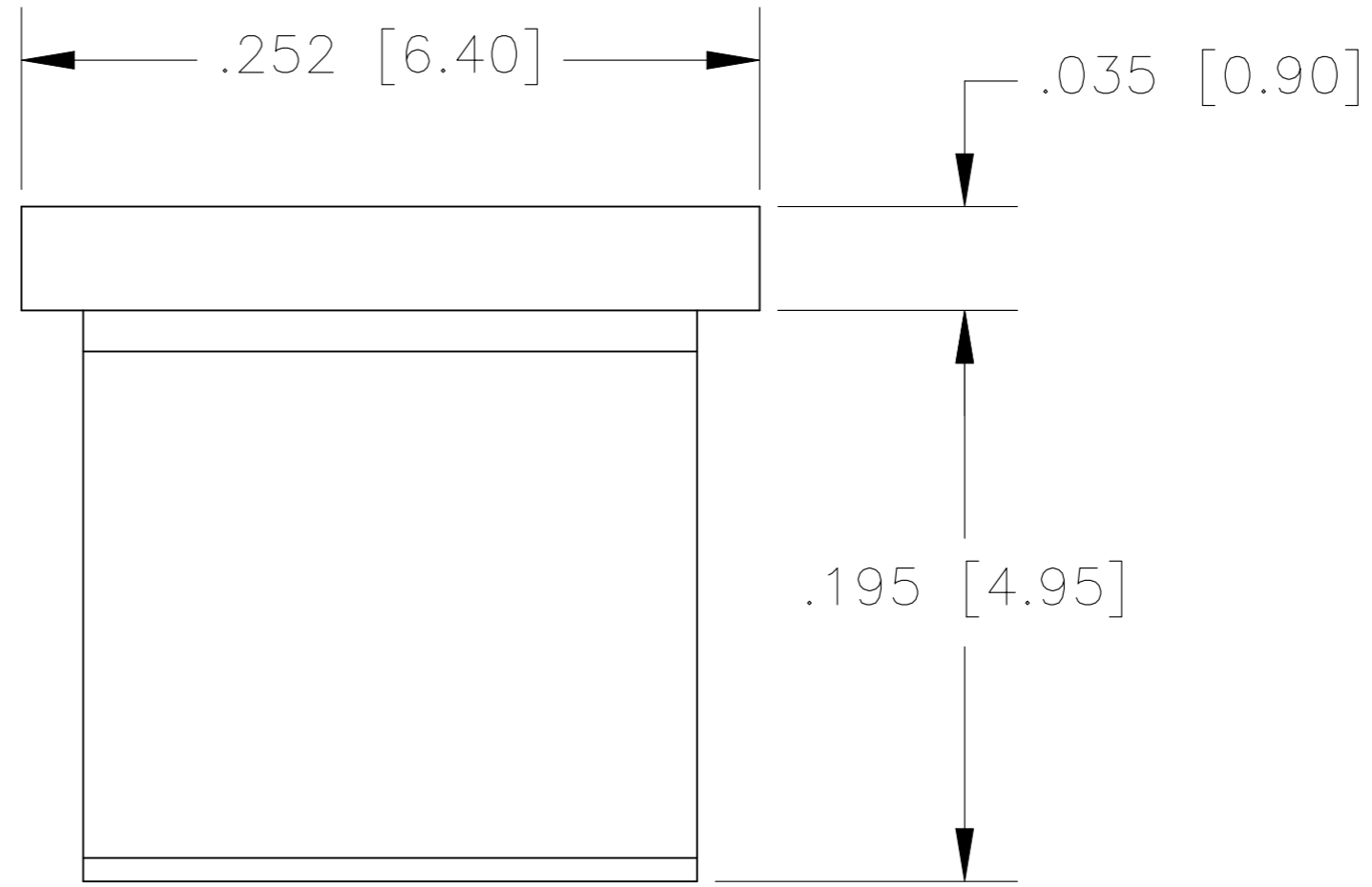
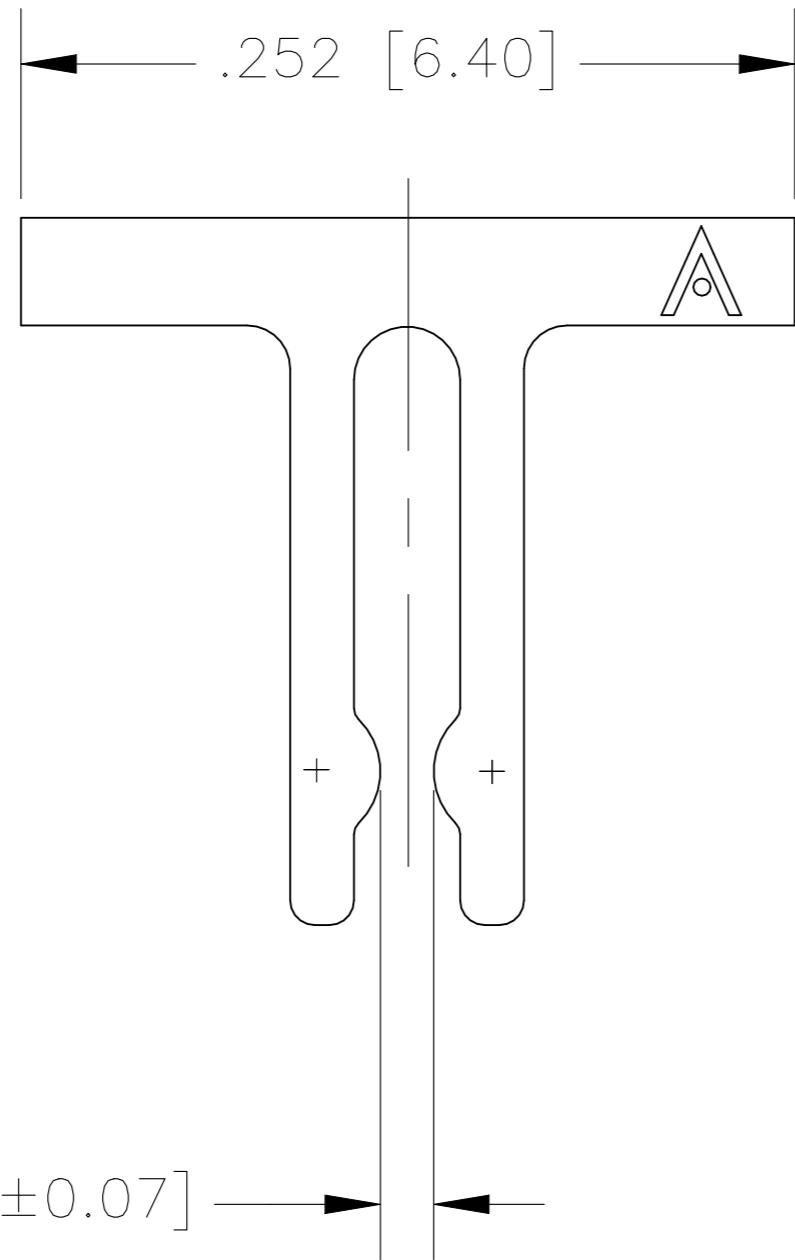


RECOMMENDED P.C. BOARD LAYOUT FOR USE WITH .010 THICK STENCIL

THIS DRAWING IS A CONTROLLED DOCUMENT.		DWN 01MAR2018 BASVESH WARAD		
DIMENSIONS: INCHES		CHK 01MAR2018 GUERRIERO, SHAYNIA		
TOLERANCES UNLESS OTHERWISE SPECIFIED:		APVD 01MAR2018 GUERRIERO, SHAYNIA	NAME MTA100 HDR ASSY,SM,FL,SN, HT, T&R	
0 PLC ± -		PRODUCT SPEC 108-1050	SIZE A2	
1 PLC ± -		APPLICATION SPEC 114-1019	CAGE CODE 00779	DRAWING NO C=2331450
2 PLC ± -		WEIGHT -	RESTRICTED TO -	
3 PLC ± .015		CUSTOMER DRAWING		
4 PLC ANGLES ± 1°		SCALE 5:1	SHEET 2 OF 3	REV B
MATERIAL -	FINISH -			

THIS DRAWING IS UNPUBLISHED. RELEASED FOR PUBLICATION  
 © COPYRIGHT - By - ALL RIGHTS RESERVED.

REVISIONS					
P	LTR	DESCRIPTION	DATE	DWN	APVD
-	-	SEE SHEET 1	-	-	-



CAP FOR HEADER

THIS DRAWING IS A CONTROLLED DOCUMENT.		DWN 01MAR2018 BASVESH WARAD																				
DIMENSIONS: INCHES [MM]		CHK 01MAR2018 GUERRIERO, SHAYNIA																				
TOLERANCES UNLESS OTHERWISE SPECIFIED:		APVD 01MAR2018 GUERRIERO, SHAYNIA	NAME MTA100 HDR ASSY,SM,FL,SN, HT, T&R																			
<table border="1"> <tr><td>0 PLC</td><td>±</td><td>-</td></tr> <tr><td>1 PLC</td><td>±</td><td>-</td></tr> <tr><td>2 PLC</td><td>±</td><td>-</td></tr> <tr><td>3 PLC</td><td>±</td><td>.015[0.40]</td></tr> <tr><td>4 PLC</td><td>±</td><td>-</td></tr> <tr><td>ANGLES</td><td>±</td><td>1°</td></tr> </table>		0 PLC	±	-	1 PLC	±	-	2 PLC	±	-	3 PLC	±	.015[0.40]	4 PLC	±	-	ANGLES	±	1°	PRODUCT SPEC 108-1050	RESTRICTED TO -	
0 PLC	±	-																				
1 PLC	±	-																				
2 PLC	±	-																				
3 PLC	±	.015[0.40]																				
4 PLC	±	-																				
ANGLES	±	1°																				
MATERIAL		APPLICATION SPEC 114-1019	SIZE A2	CAGE CODE 00779																		
FINISH		WEIGHT -	DRAWING NO C=2331450	SCALE 10:1																		
CUSTOMER DRAWING			SHEET 3 OF 3	REV B																		