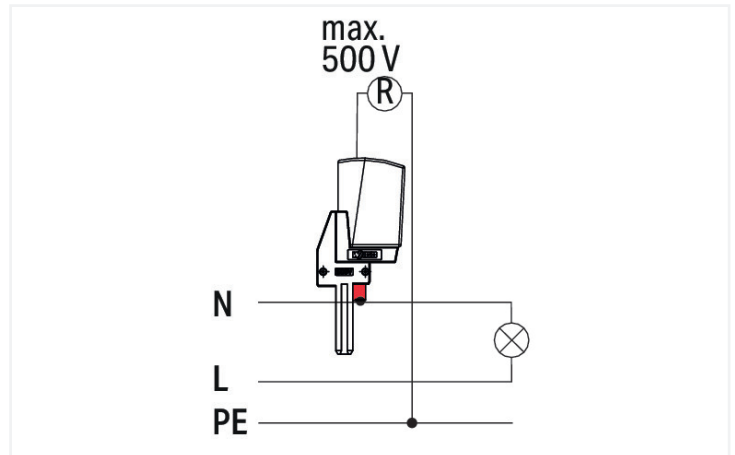


Data Sheet | Item Number: 2003-500

Test plug adapter N; for 2003-6641 and 2003-6640 Multilevel Installation Terminal Blocks; for vertical test slot; 1-pole; gray

<https://www.wago.com/2003-500>



Color: ■ gray

Electrical data

Ratings per IEC/EN

Nominal voltage (III/3)	500 V
Rated impulse withstand voltage (III / 3)	6 kV
Rated current	16 A

General information

Wiring direction	Side-entry wiring
------------------	-------------------

Connection Data

Clamping units	1
Total number of potentials	1

Connection 1

Connection technology	CAGE CLAMP®
Solid conductor	0.5 ... 2.5 mm ² / 20 ... 16 AWG
Stranded conductor	0.5 ... 1.5 mm ² / 20 ... 16 AWG
Fine-stranded conductor	0.5 ... 2.5 mm ² / 20 ... 16 AWG
Strip length	9 ... 11 mm / 0.35 ... 0.43 inches
Wiring direction	Side-entry wiring

Material data

Note (material data)	Information on material specifications can be found here
Color	gray
Material group	I
Insulation material (main housing)	Polyamide (PA66)
Flammability class per UL94	V0
Fire load	0.056 MJ
Weight	3 g

Environmental requirements

Processing temperature	-35 ... +85 °C
Continuous operating temperature	-60 ... +105 °C

Commercial data

Product Group	22 (TOPJOB S)
PU (SPU)	100 (25) pcs
Packaging type	Box
Country of origin	DE
GTIN	4050821322139
Customs tariff number	85366990990

Product Classification

UNSPSC	39121402
eCl@ss 10.0	27-14-11-48
eCl@ss 9.0	27-14-11-48
ETIM 9.0	EC002555
ETIM 10.0	EC002555
ECCN	NO US CLASSIFICATION

Environmental Product Compliance

RoHS Compliance Status	Compliant, No Exemption
------------------------	-------------------------

Downloads

Environmental Product Compliance

Compliance Search	
Environmental Product Compliance 2003-500	↓

Documentation

Bid Text			
2003-500	19.02.2019	xml 2.59 KB	↓
2003-500	28.04.2017	doc 23.50 KB	↓

CAD/CAE-Data

CAD data

2D/3D Models
2003-500



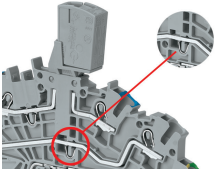
CAE data

WSCAD Universe
2003-500



Installation Notes

Testing



Multilevel installation terminal block fitted with an N-test plug adapter for insulation resistance measurement of the N-potential