



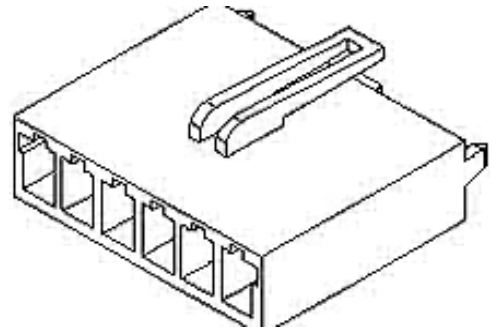
Part Number : [903311002](#)

Product Description : KK 396 Housing, 6 Circuits, Keying at Circuit 1, Nylon, Natural (White)

Series Number : 90331

Status : Active

Product Category : Connector Housings



Documents and Resources

Drawings

[903311002_sd.pdf](#)

[903311000-PK-000.pdf](#)

3D Models and Design Files


[STEP AP242](#)

[SOLIDWORKS](#)

[Creo](#)

Product Environment Compliance

Compliance

GADSL/IMDS	Not Relevant
China RoHS	 per SJ/T 11365-2006
EU ELV	Not Relevant
Low-Halogen Status	Low-Halogen per IEC 61249-2-21
REACH SVHC	Not Contained per D(2025)7771-DC (04 Feb 2026)
EU RoHS	Compliant per EU 2015/863

Compliance Statements

- EU RoHS
- REACH SVHC
- Low-Halogen

Industry Documents

- IPC 1752A Class C
- IPC 1752A Class D

- Molex Product Compliance Declaration
- IEC-62474
- chemSHERPA (xml)

Substances of Interest

- PFAS

EU RoHS Certificate of Compliance

Additional Product Compliance Information

Part Details

General

Status	Active
Category	Connector Housings
Series	90331
Description	KK 396 Housing, 6 Circuits, Keying at Circuit 1, Nylon, Natural (White)
Application	Wire-to-Board
Component Type	Housing
Product Name	KK 396
UPC	800753749689

Agency

CSA	LR19980
UL	E29179

Physical

Circuits (maximum)	6
Color - Resin	Natural (White)
Gender	Receptacle
Glow-Wire Capable	No
Keying to Mating Part	Yes
Lock to Mating Part	Yes
Material - Resin	Nylon
Net Weight	1.760/g
Number of Rows	1
Packaging Type	Bag
Panel Mount	No

Pitch - Mating Interface	3.96mm
Pitch - Termination Interface	3.96mm
Temperature Range - Operating	-40° to +80°C

Mates With / Use With

Mates with Part(s)

Description	Part Number
KK 396 Vertical Through Hole Headers	<u>8619</u>

Use with Part(s)

Description	Part Number
KK 396 Female Crimp Terminals	<u>2478</u>

This document was generated on Jun 03, 2026