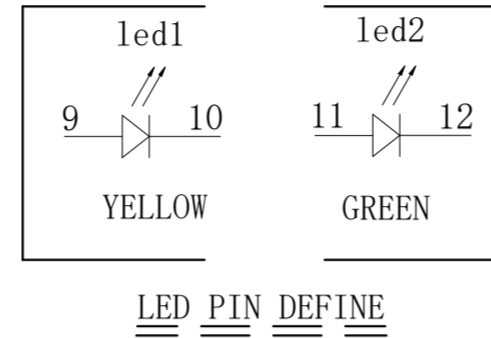
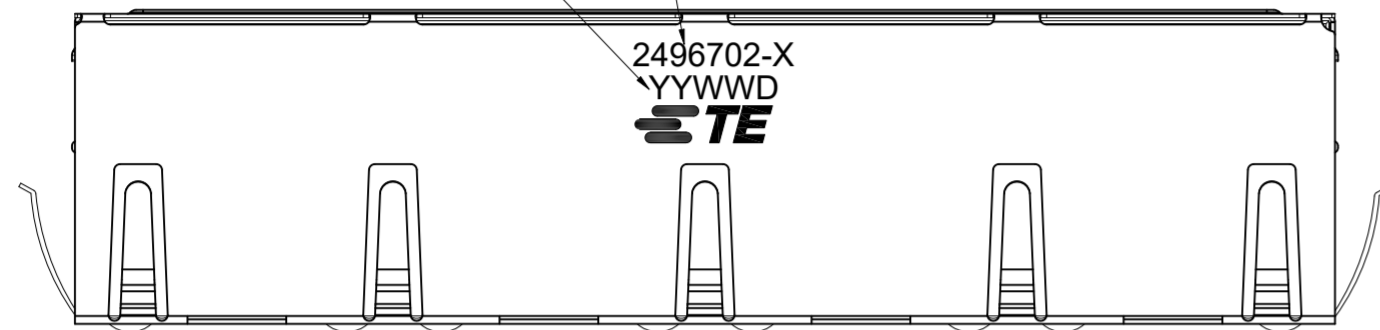


REVISIONS					
P	LTR	DESCRIPTION	DATE	DWN	APVD
A		REVISED PER ECN-25-302515	17JAN2025	TR	RCG

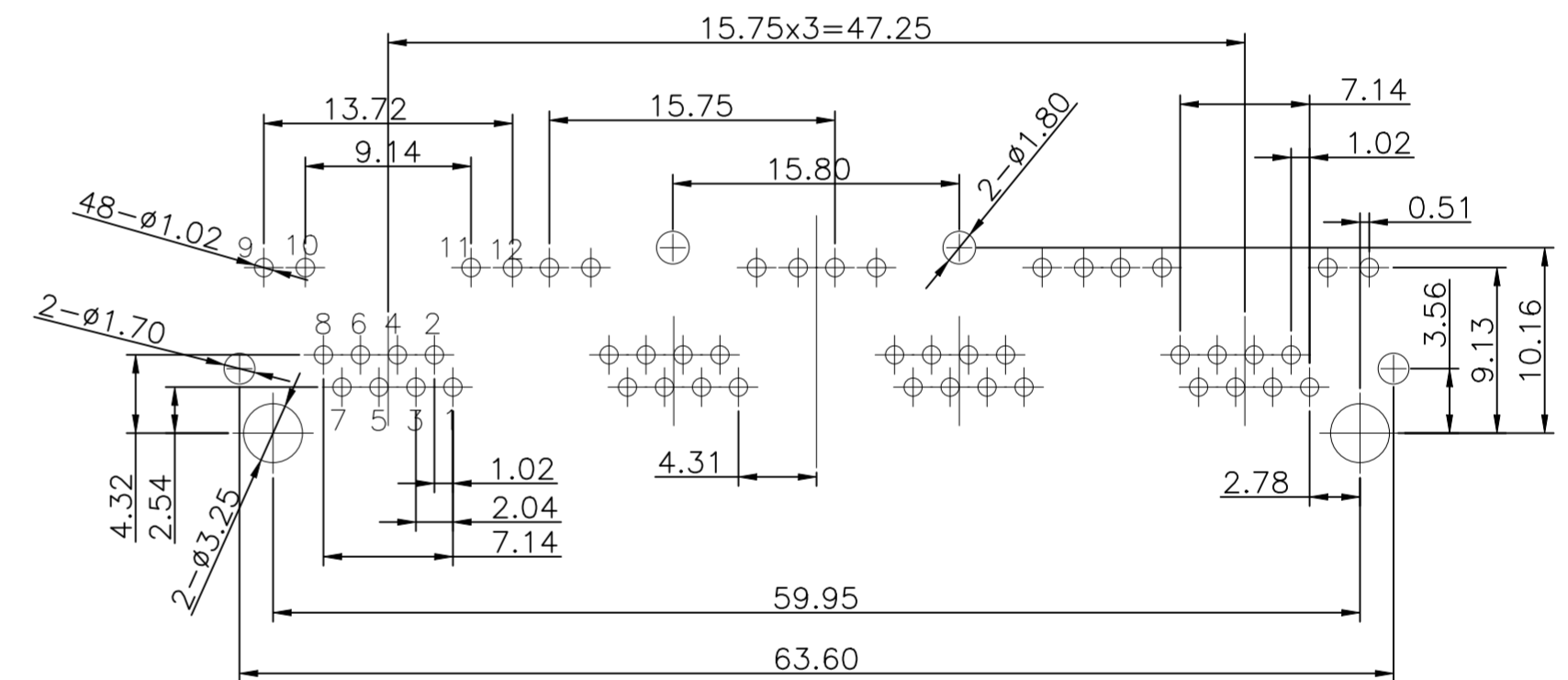
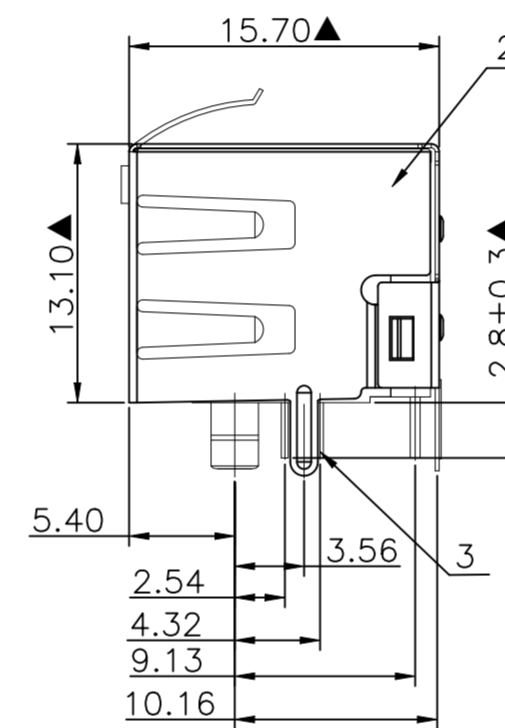
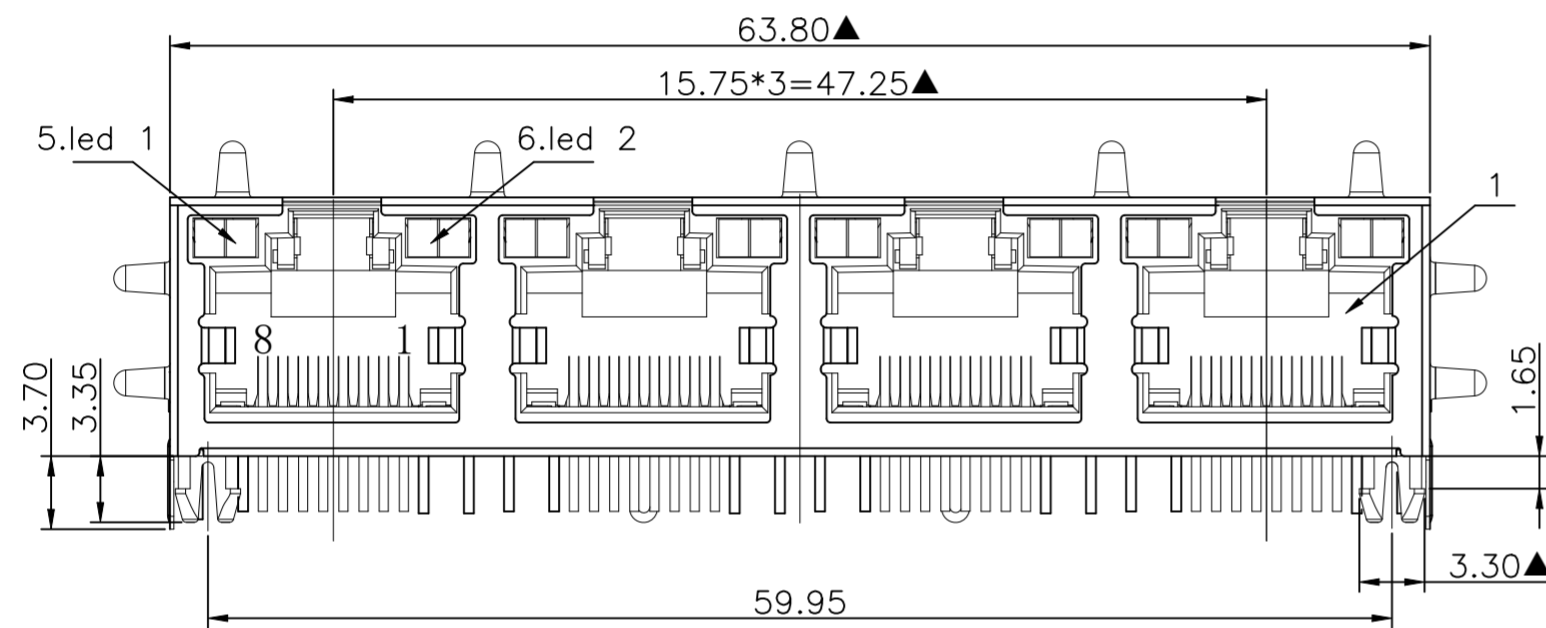
Note:
 X= 1,2,3,4,5,6
 YYWWD
 YY=YEAR
 WW=WEEK
 D=1 for Sunday -
 7 for Saturday

Marking

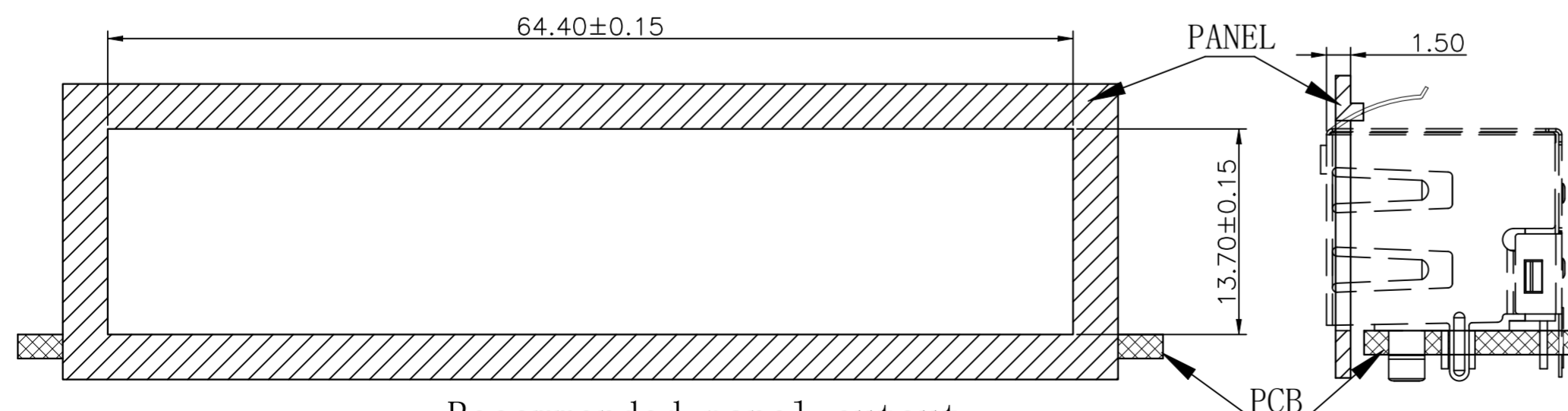
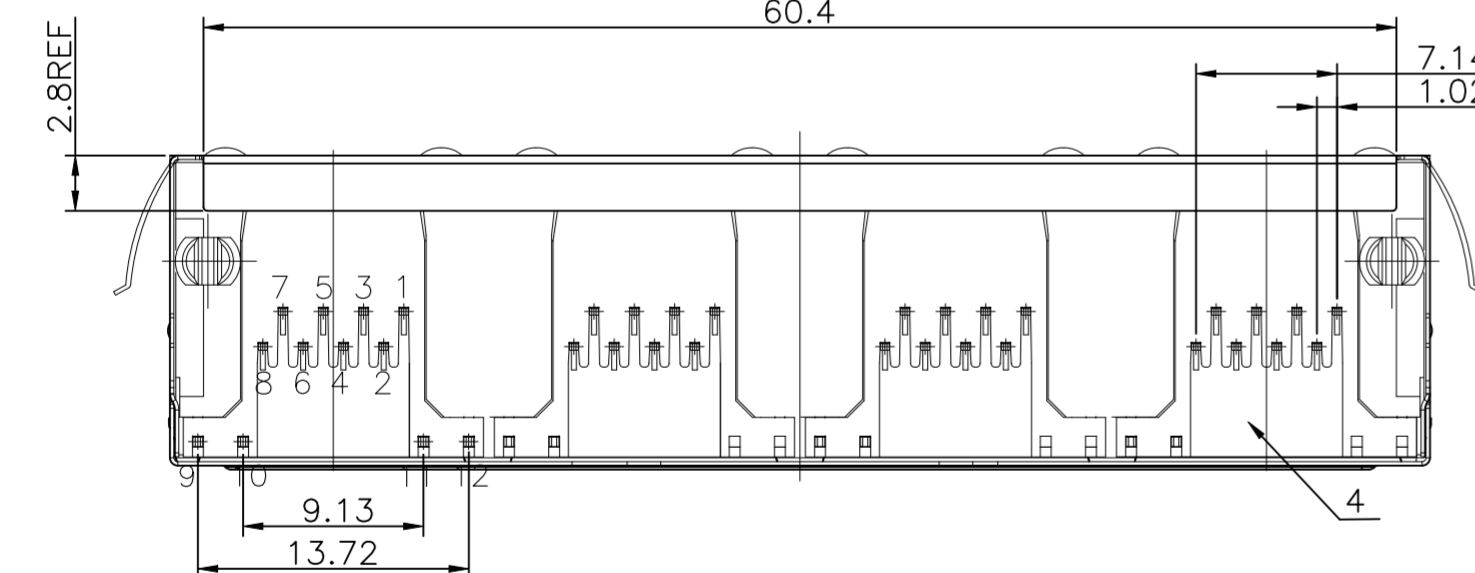


MATERIALS:

- Housing: Glass Filled PA46 BLACK.(RoHS)
 - Shell: 0.2mm Thickness Copper Alloy with Nickel Plated(RoHS).
 - Contact: T0.35*0.46mm Phosphor Bronze(RoHS).
 - Insert: Glass Filled PBT BLACK..(RoHS)
 - LED1: YELLOW(RoHS)
 - LED2: GREEN(RoHS)
- ※ Mates With Modular Plug Conforming To Fcc Part 68, Subpart F.
 ※ The Dimensions Marked "▲" Symbols Are Stand For Key Characteristics.



RECOMMENDED P.C.B LAYOUT TOP VIEW
 (COMPONENT SIDE TOLERANCE ±0.05)



Recommended panel cutout

GF	2496702-6
0.0762 μm [3μ"]	2496702-5
0.1524 μm [6μ"]	2496702-4
0.381 μm [15μ"]	2496702-3
0.762 μm [30μ"]	2496702-2
1.27 μm [50μ"]	2496702-1
GOLD PLATING THICKNESS	PART NUMBER

THIS DRAWING IS A CONTROLLED DOCUMENT.		DWN	TARUN, R	28OCT2024	TE Connectivity				
DIMENSIONS: mm [INCHES]		CHK	RAMESH, KIVADER	30OCT2024					
TOLERANCES UNLESS OTHERWISE SPECIFIED:		APVD	RAGHAVAN, CG	30OCT2024	NAME RJ45 W/O MAGNET 1X4 LED				
0 PLC	± -	PRODUCT SPEC		108-161621		SIZE	CAGE CODE	DRAWING NO	RESTRICTED TO
1 PLC	± 0.35	APPLICATION SPEC		114-161218		A2	00779	C=2496702	-
2 PLC	± 0.25	MATERIAL		WEIGHT		SCALE		SHEET	REV
3 PLC	± 0.15	FINISH		CUSTOMER DRAWING		1:1		1 of 1	A
4 PLC	± -								
ANGLES	± 2°								