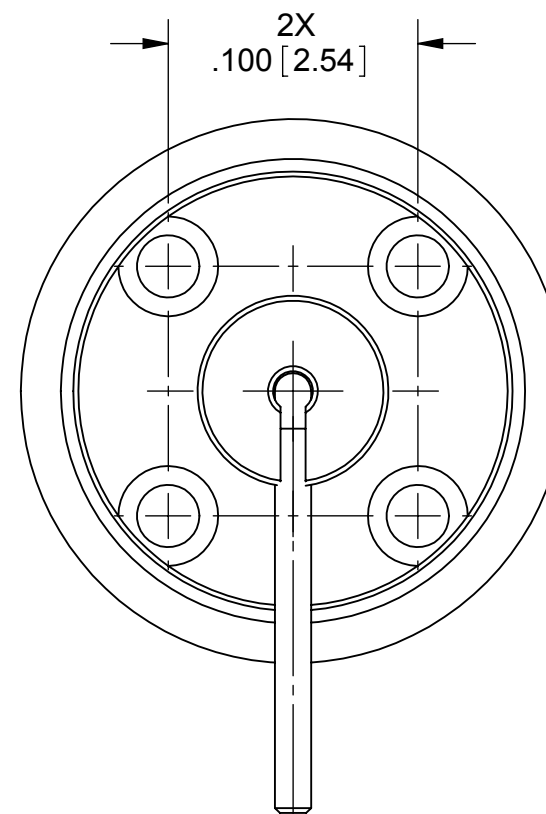
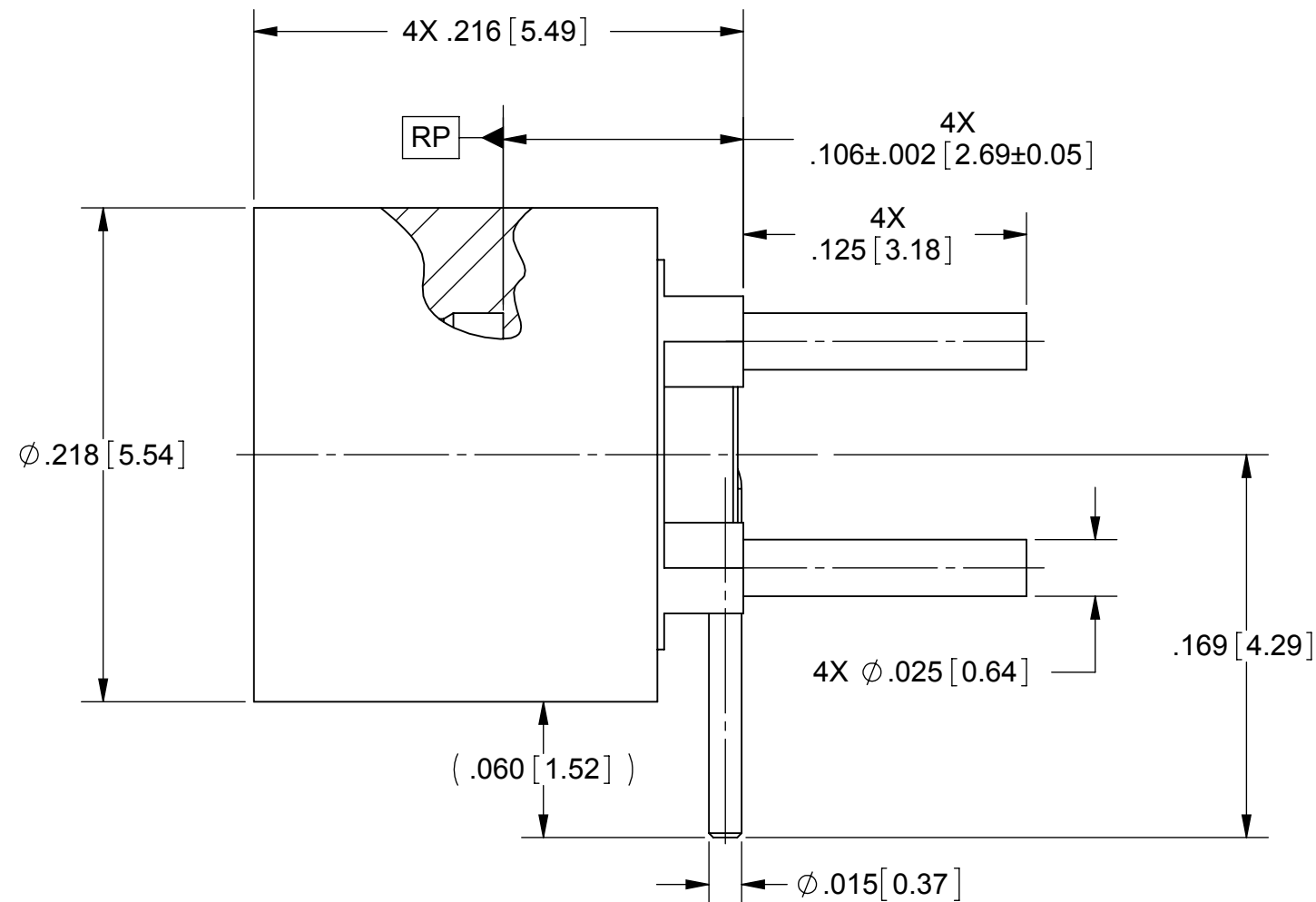


# PRODUCT DATA DRAWING

REVISION HISTORY			
REV	DESCRIPTION	DATE	APPROVED
-	NRN 37567	08/12	STW



### MATERIAL:

**BODY:** STAINLESS STEEL PER AMS-5640, ALLOY UNS S30300, TYPE 1

**CONTACT & LEGS:** BERYLLIUM COPPER PER ASTM B196, ALLOY UNS C17300

**INSULATOR:** TORLON 4203 (ELECTRICAL GRADE)

### FINISH:

**BODY:** PASSIVATED PER AMS-2700

**CONTACT & LEGS:** GOLD PER ASTM B488, TYPE II, CODE C, CLASS 1.27, OVER NICKEL PER AMS-QQ-N-290, CLASS 1, .00005" MIN.

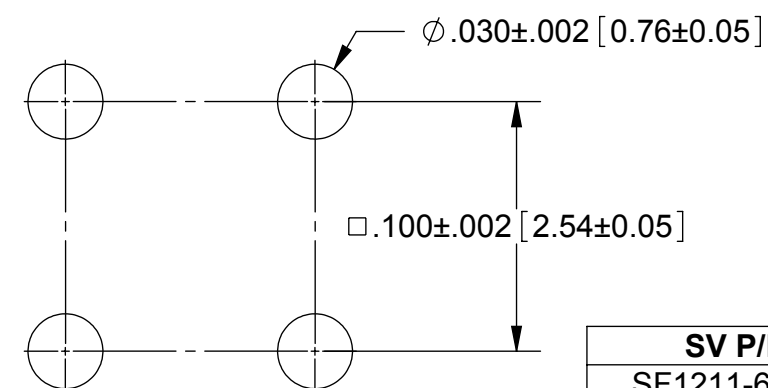
### PERFORMANCE:

**IMPEDANCE:** 50 OHMS

**FREQ. RANGE:** DC TO 20.0 GHZ

**VSWR:** 1.30:1 DC TO 20.0 GHZ

### RECOMMENDED MOUNTING HOLE



SV P/N	SMP INTERFACE
SF1211-66198	LD
SF1211-66199	FD

### NOTES:

- FOR A FOOTPRINT RECOMMENDATION SPECIFIC TO YOUR PCB, PLEASE CONTACT US AT [applications@svmicro.com](mailto:applications@svmicro.com)

MATERIAL: SEE NOTES	DIMENSIONS ARE IN INCHES TOLERANCES: FRACTIONAL: ±1/64 ANGULAR: X° ±1'0" X°X' ±15'	UNLESS OTHERWISE SPECIFIED 1) ALL DIMENSIONS ARE IN INCHES (MILLIMETERS) 2) ALL DIMENSIONS ARE AFTER PLATING. 3) BREAK CORNERS & EDGES .005 R. MAX. 4) CHAM. 1ST & LAST THREADS. 5) SURFACE ROUGHNESS 63-MIL-STD-10. 6) DIA: 'S ON COMMON CENTERS TO BE CONCENTRIC WITHIN .005 T.I.R. 7) REMOVE ALL BURRS	<b>SV Microwave, Inc.</b> 2400 Centrepark West Drive, Suite 100 West Palm Beach, FL 33409 TITLE: <b>SMP MALE PCB MOUNT W/                  R/A CONTACT (LD, FD)</b>
FINISH: SEE NOTES	DECIMAL: .X ±.030 .XX ±.010 .XXX ±.005	INTERPRET DIMENSIONS AND TOLERANCES PER ASME Y14.5M - 1994	
SURFACE AREA: N/A	THIRD ANGLE PROJECTION	DRAWN: ELA 04/27/12	SIZE: B CAGE CODE: 95077 DWG. NO. SF1211-66198-66199
PROPRIETARY THE INFORMATION CONTAINED IN THIS DRAWING IS THE SOLE PROPERTY OF SV MICROWAVE, INC. ANY REPRODUCTION IN PART OR AS A WHOLE WITHOUT THE WRITTEN PERMISSION OF SV MICROWAVE, INC IS PROHIBITED.		CHECKED: STW 04/27/12	SCALE: 13:1
		APPROVED: STW 04/27/12	SHEET 1 OF 1