

Lisa2-Pin-DD miniature lens for Sharp GM2BB... (Double Dome) series of LEDs



SHARP.



- Lens material optical grade PMMA with high UV and temperature resistance (105°C/220°F). Lens holder molded of high quality black PC.
- High optical efficiency, up to 90%.
- Integrated holder with small position pins, see drawing below for more details. Fastening of holden to PCB with appropriate adhesive, e.c. epoxy or polyurethane based. NOTE: DO NOT USE SUPERGLUE.
- Very small and compact dimensions: Diameter 9.9 mm, height 6.8 mm

LENS TYPES

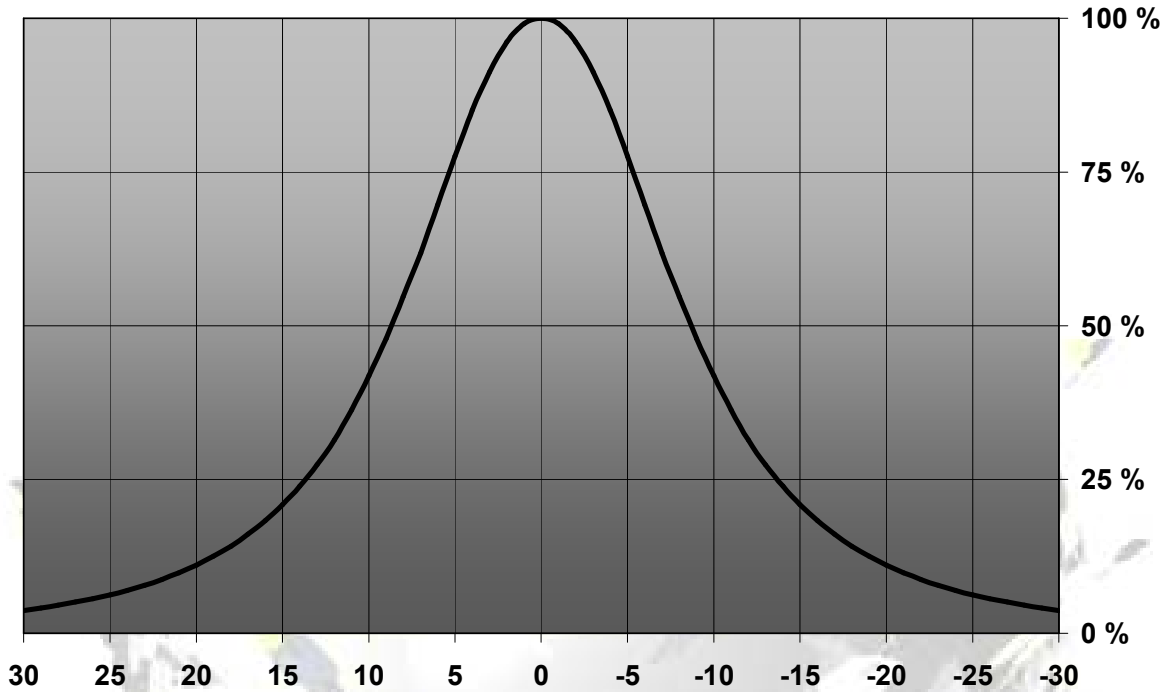
NAME	ORDERING CODE	FWHM Angle
Lisa2-Pin Real Spot	FA11055_Lisa2-RS-Pin-DD	±9°
Lisa2-Pin Medium	FA10995_Lisa2-M-Pin-DD	±14°
Lisa2-Pin Oval	FA11125_Lisa2-O-Pin-DD	~±5° x ~16°
Lisa2-Pin Wide	FA10996_Lisa2-W-Pin-DD	±22°

~ results are based on simulation value.

© Ledil Oy – PRELIMINARY - Subject to change without prior notice

MEASUREMENT DATA

Relative Intensity of FA11055_Lisa2-RS-Pin-DD



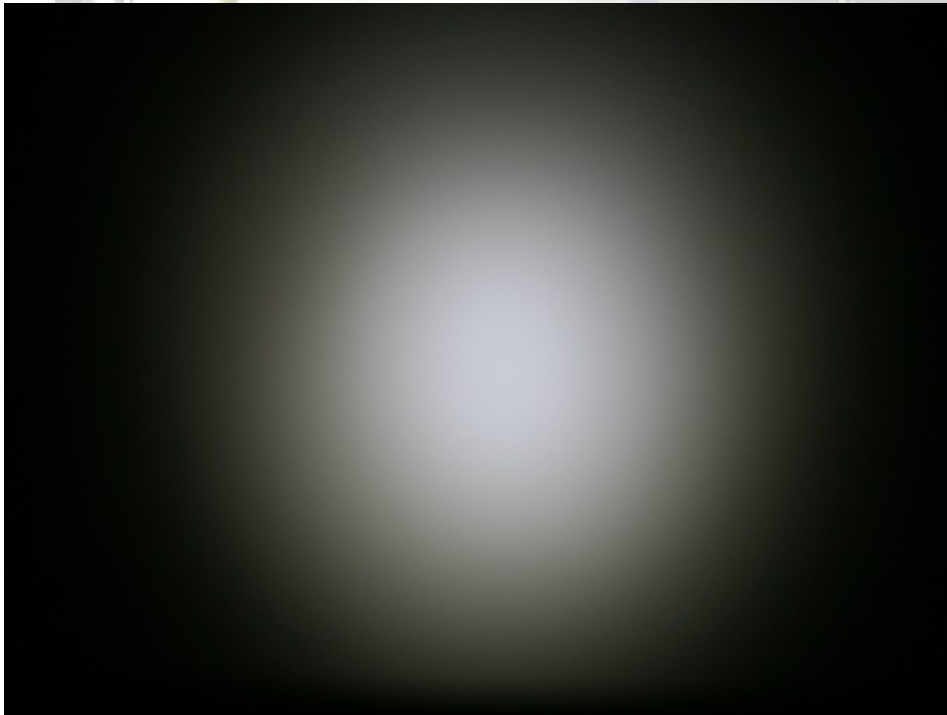
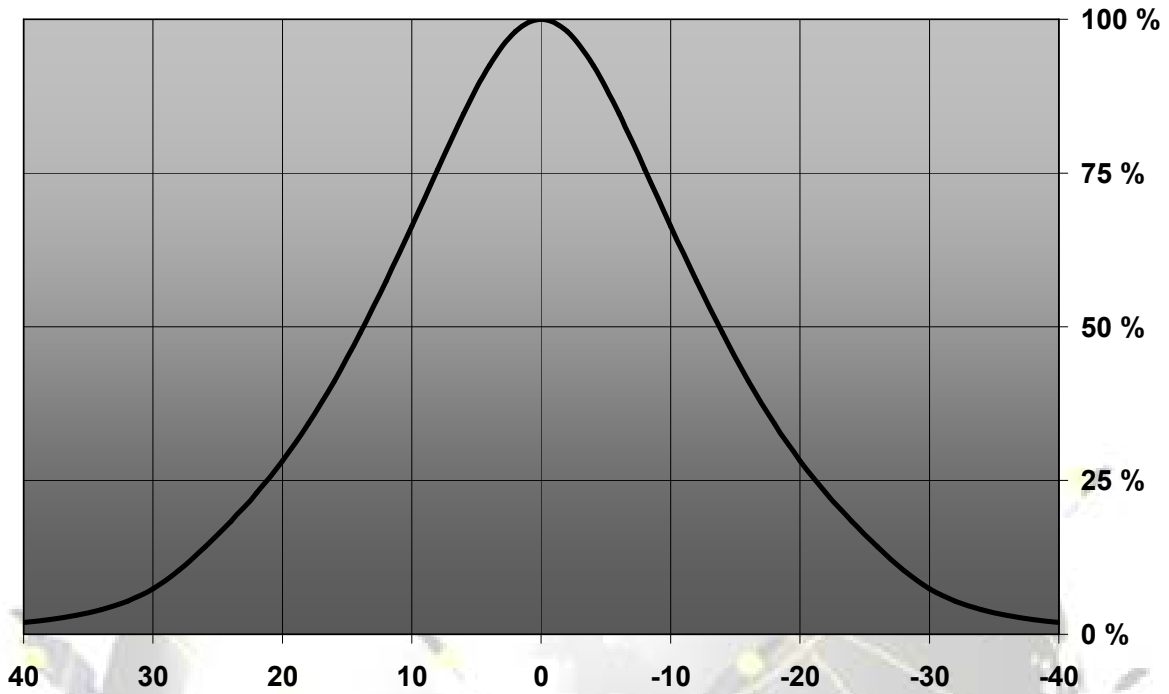
© Ledil Oy – PRELIMINARY - Subject to change without prior notice

Ledil Oy
Tehdaskatu 13
FIN-24100 SALO, Finland

www.ledil.com
email: ledil@ledil.com
FAX: +358-2-733 8001

2009-12-31

Relative Intensity of FA10995_Lisa2-M-Pin-DD



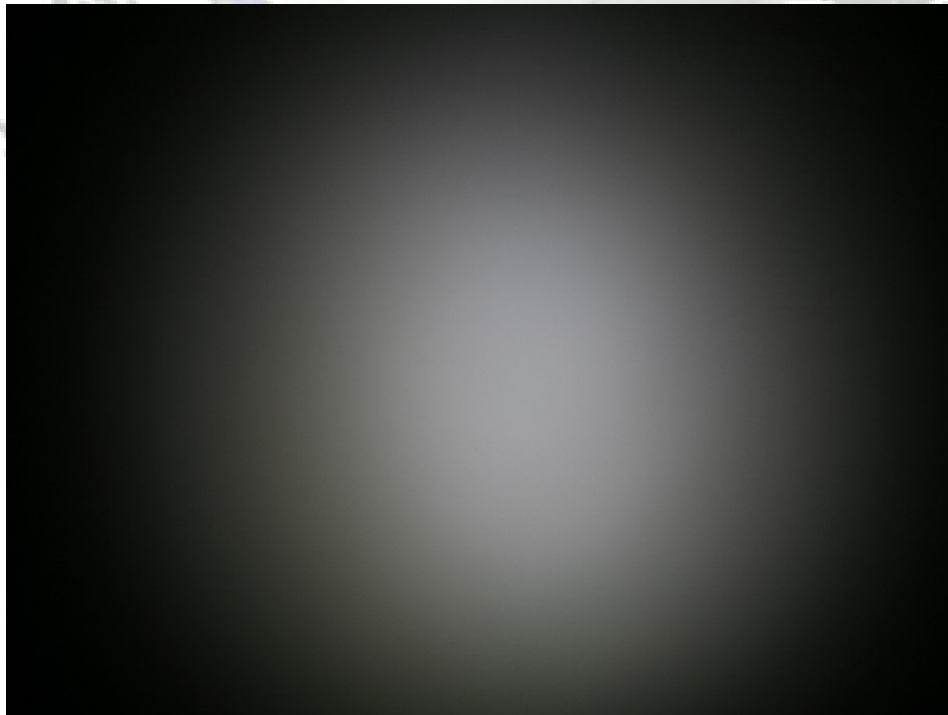
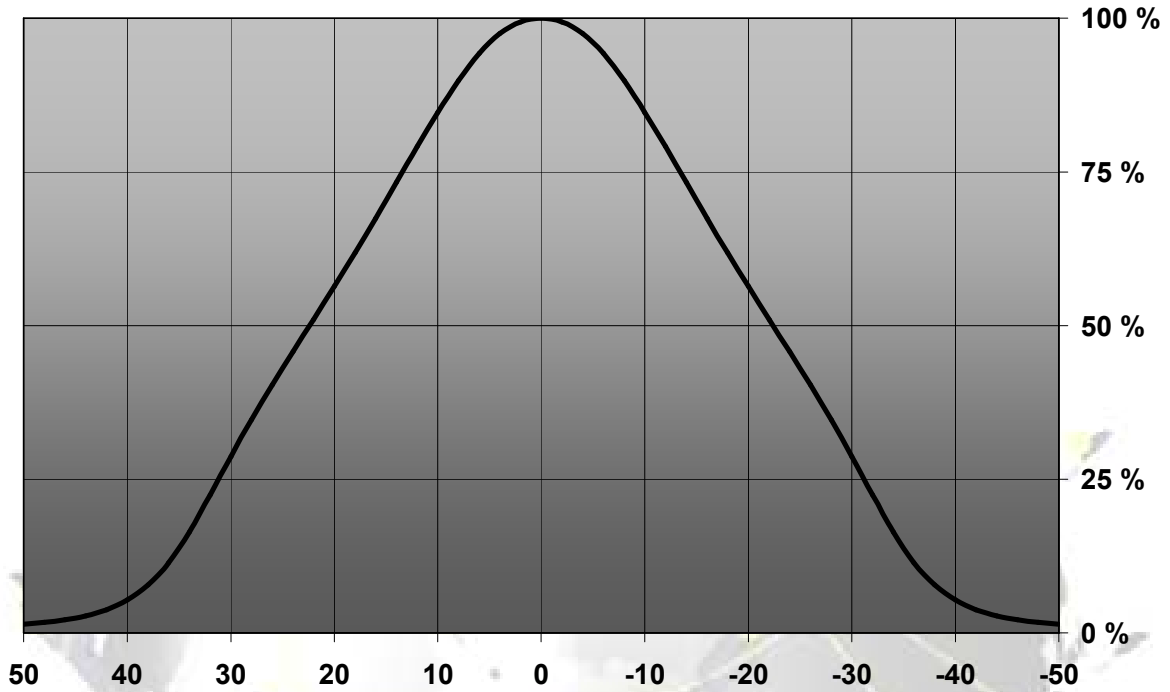
© Ledil Oy – PRELIMINARY - Subject to change without prior notice

Ledil Oy
Tehdaskatu 13
FIN-24100 SALO, Finland

www.ledil.com
email: ledil@ledil.com
FAX: +358-2-733 8001

2009-12-31

Relative Intensity of FA10996_Lisa2-W-Pin-DD



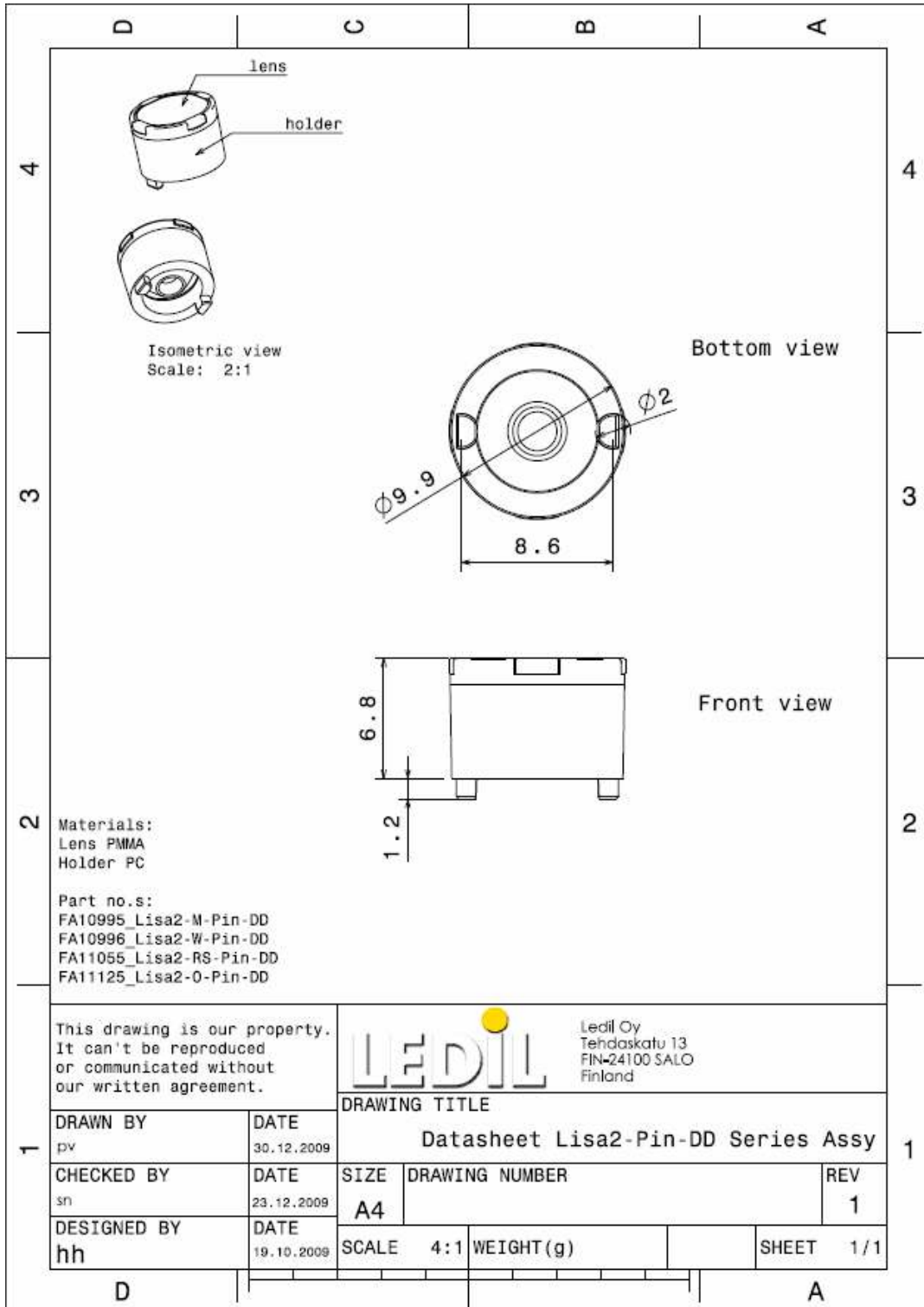
© Ledil Oy – PRELIMINARY - Subject to change without prior notice

Ledil Oy
Tehdaskatu 13
FIN-24100 SALO, Finland

www.ledil.com
email: ledil@ledil.com
FAX: +358-2-733 8001

2009-12-31

DRAWINGS



© Ledil Oy – PRELIMINARY - Subject to change without prior notice

Ledil Oy
Tehdaskatu 13
FIN-24100 SALO, Finland

www.ledil.com
email: ledil@ledil.com
FAX: +358-2-733 8001

2009-12-31