

THE INFORMATION CONTAINED HEREIN IS CONSIDERED "PROPRIETARY" TO BEL FUSE INC. AND SHALL NOT BE COPIED, REPRODUCED OR DISCLOSED WITHOUT THE WRITTEN APPROVAL OF BEL FUSE INC.

LED1 POLARITY			LED2 POLARITY			
PIN 13	PIN 14	COLOR	PIN 15	PIN 16	PIN 17	COLOR
-	+	GREEN	-	+	-	YELLOW
-	-	-	-	+	-	GREEN

PRELIMINARY



ELECTRICAL CHARACTERISTICS @ 25°C

URNS RATIO
 TP1
 TP2
 TP3
 TP4

1CT : 1CT
 1CT : 1CT
 1CT : 1CT
 1CT : 1CT

INS. LOSS (MAX)

1MHz TO 20MHz -0.8 dB
 50MHz -1.0 dB
 200MHz -1.2 dB
 400MHz -2.0 dB
 500MHz -3.0 dB

RET. LOSS (MIN)

1MHz - 40MHz -16 dB
 40MHz - 400 MHz -16+10LOG (F/40) dB
 400MHz 500 MHz -6+30LOG (F/400) dB

CM TO CM REJ

1MHz - 500MHz -30 dB MIN

CM TO DM REJ

1MHz - 500MHz -30 dB MIN

HIPOT (Isolation Voltage):

2250VDC

100% OF PRODUCTION TESTED TO COMPLY WITH IEEE 802.3 ISOLATION REQUIREMENTS.

LED 1

VF (FORWARD VOLTAGE) IF=20mA GREEN 2.2V TYP.

λD (DOMINANT WAVELENGTH) IF=20mA GREEN 570nm TYP.

LED 2

VF (FORWARD VOLTAGE) IF=20mA GREEN 2.2V TYP.

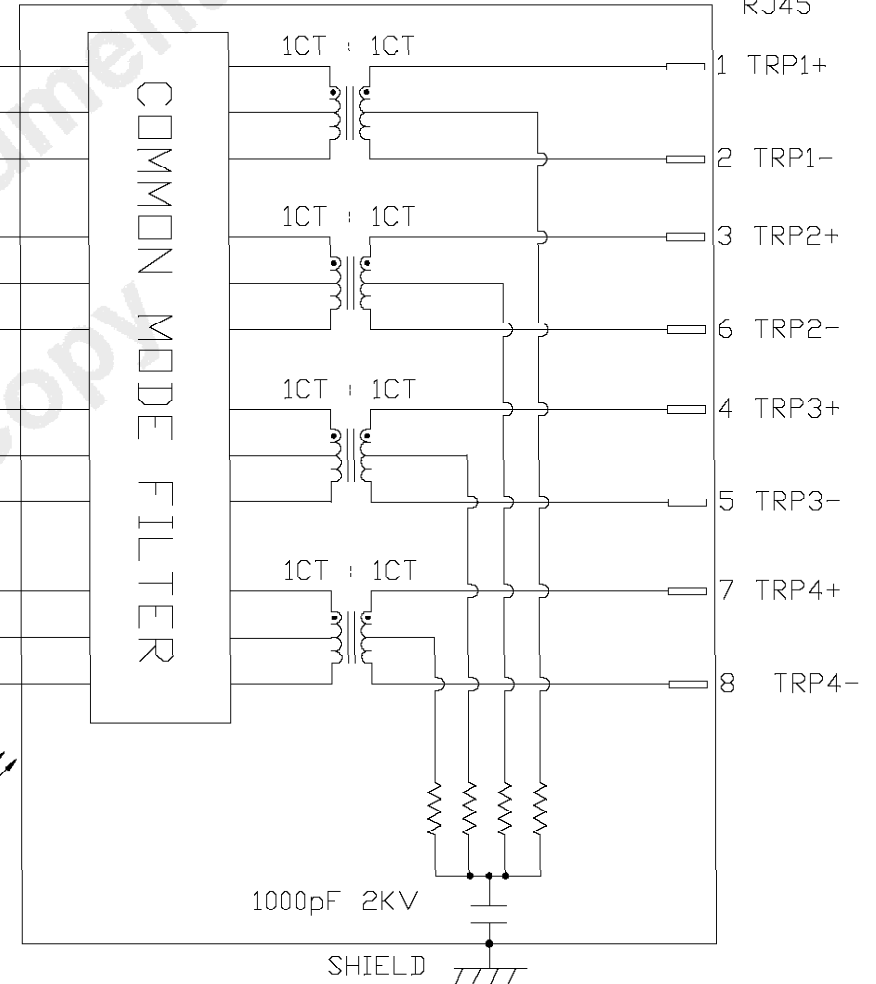
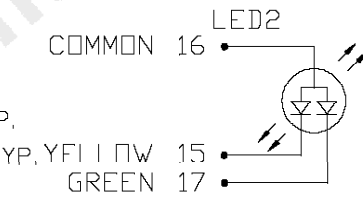
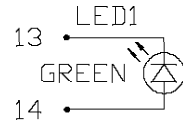
λD (DOMINANT WAVELENGTH) IF=20mA GREEN 570nm TYP.

λD (DOMINANT WAVELENGTH) IF=20mA YELLOW 2.1V TYP.

λD (DOMINANT WAVELENGTH) IF=20mA YELLOW 590nm TYP.

OPERATING TEMPERATURE: -40°C TO +85°C.

PIN



ORIGINATED BY CHOW WANCHUNG	TITLE 10 Gigabit MagJack® (Ultra Low Profile) PATENTED
DATE 2021-05-31	
DRAWN BY TANG YUAN	
DATE 2021-05-31	

PART NO. / DRAWING NO. G10-1GHT-056H	STANDARD DIM. TOL. IN INCH	[] METRIC DIM. AS REF.
FILE NAME G10-1GHT-056H_1.DWG	.X	UNIT : INCH [mm]
	.XX	SCALE : N/A
	.XXX	SIZE : A4

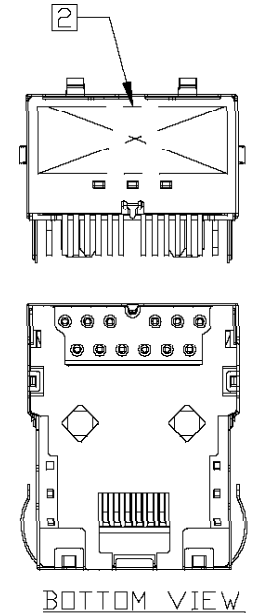
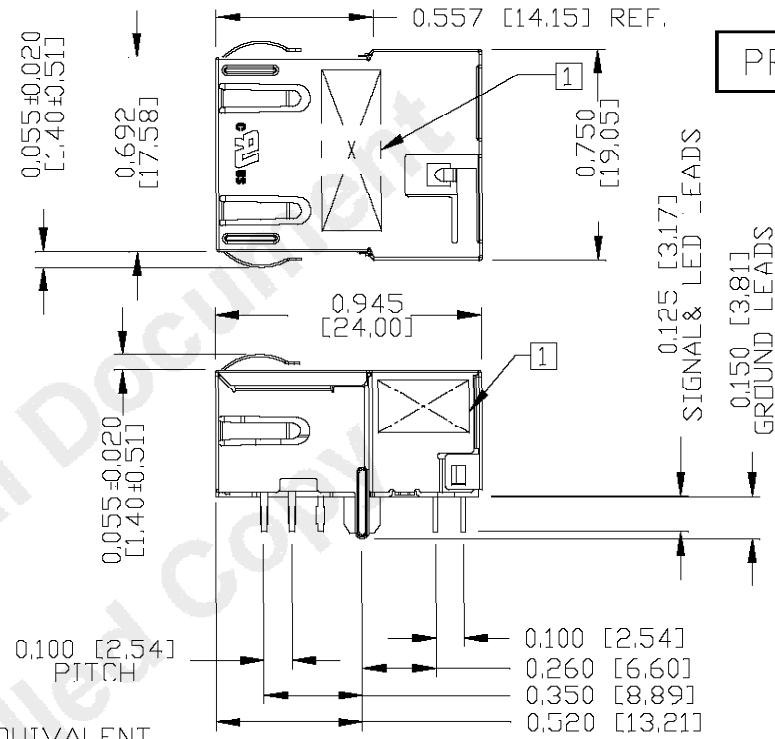
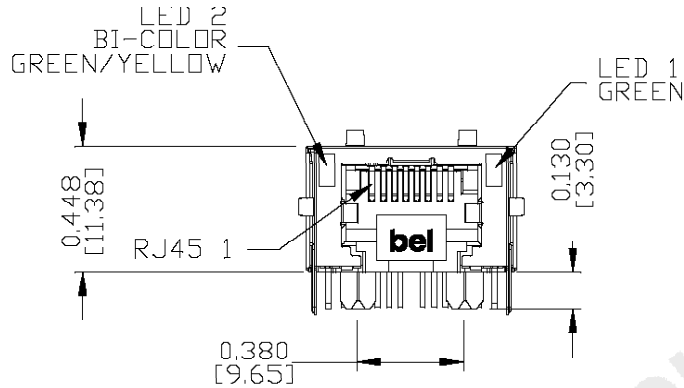
REV. :	1	PAGE :	2
--------	---	--------	---



THE INFORMATION CONTAINED HEREIN IS CONSIDERED "PROPRIETARY" TO BEL FUSE INC. AND SHALL NOT BE COPIED, REPRODUCED OR DISCLOSED WITHOUT THE WRITTEN APPROVAL OF BEL FUSE INC.

MECHANICAL SPECIFICATION

PRELIMINARY



NOTES:

- PLASTIC HOUSING: THERMOPLASTIC PA, BLACK, FLAMMABILITY RATING UL 94V-0
- CONTACTS: 50 MICRO-INCH HARD GOLD PLATING OR EQUIVALENT.
- OUTPUT PINS: TIN-COATED COPPER WIRE, DIA 0.018 INCH, 100 MICRO-INCH MIN MATTE TIN, PINS ARE SOLDER DIPPED.
- METAL SHIELD: NICKEL PLATED ON COPPER ALLOY. (ALL GROUND LEADS ARE SOLDER DIPPED)

- MARK PART WITH PART NUMBER (G10-1GHT-056H), DATE CODE AND PATENTED.
- MARK PART WITH MFG. LOGO, MFG. NAME ON BACK VIEW.
- THE PRODUCT IS RoHS COMPLIANT.
- JACK CAVITY CONFORMS TO FCC RULES AND REGULATIONS.

- UL RECOGNIZED - FILE #E169987.
- THE PART IS RECOMMENDED FOR WAVE SOLDERING. THE SUGGESTED PEAK WAVE SOLDERING CONDITION IS 260°C MAX, AND 10 SECONDS MAX.
- THE PRODUCT IS PATENTED. THE PATENT NUMBER ARE U.S. PAT. 7,429,195 & U.S. PAT. 7,123,117 & U.S. PAT. 6,840,817 AND U.S. PAT. 7,924,130.
- THE AXIAL RETENTION FORCE OF RJ PORT IS 15LBS MIN.

ORIGINATED BY
SANDY LIN
DATE 2021-05-31

DRAWN BY
RUAN WENJUN
DATE 2021-05-31

TITLE
10 Gigabit MagJack®
(Ultra Low Profile)
PATENTED

PART NO. / DRAWING NO.
G10-1GHT-056H

FILE NAME
G10-1GHT-056H_1.DWG

STANDARD DIM. TOL. IN INCH	[] METRIC DIM. AS REF.
.X	UNIT : INCH [mm]
.XX	SCALE : N/A
.XXX	±0.010
	SIZE : A4

REV. : 1 PAGE : 3



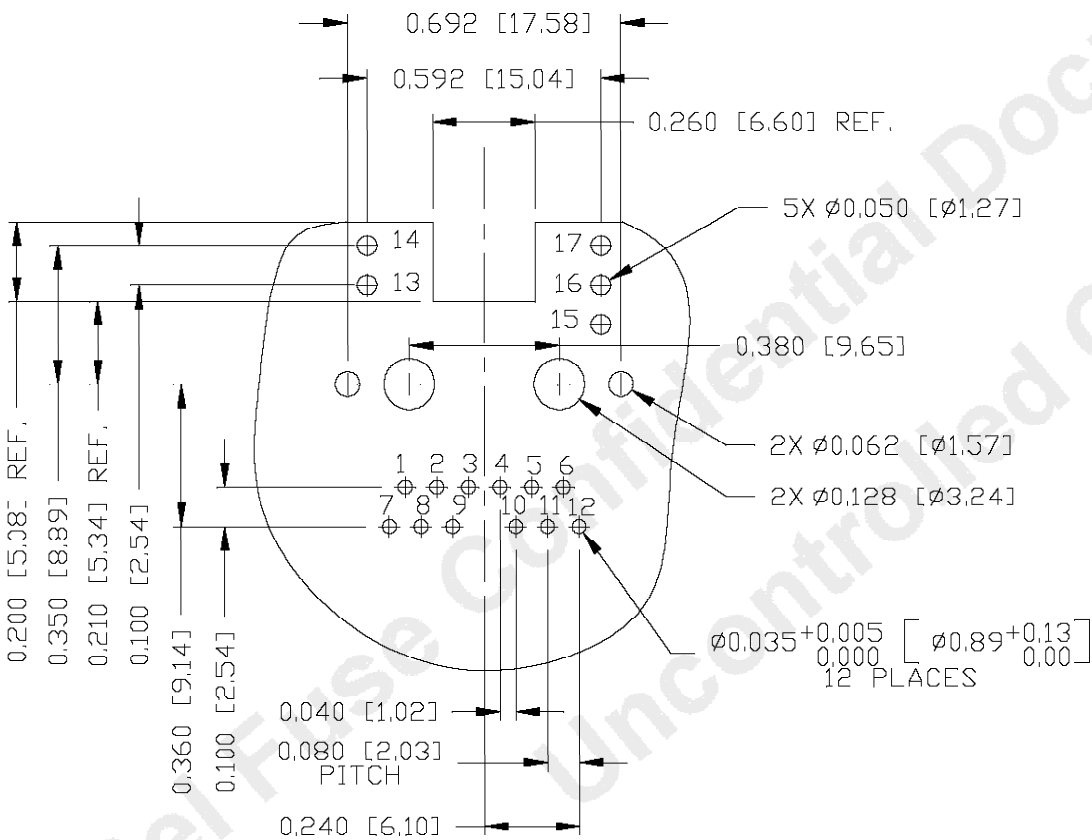
THE INFORMATION CONTAINED HEREIN IS CONSIDERED "PROPRIETARY" TO BEL FUSE INC. AND SHALL NOT BE COPIED, REPRODUCED OR DISCLOSED WITHOUT THE WRITTEN APPROVAL OF BEL FUSE INC.

PRELIMINARY



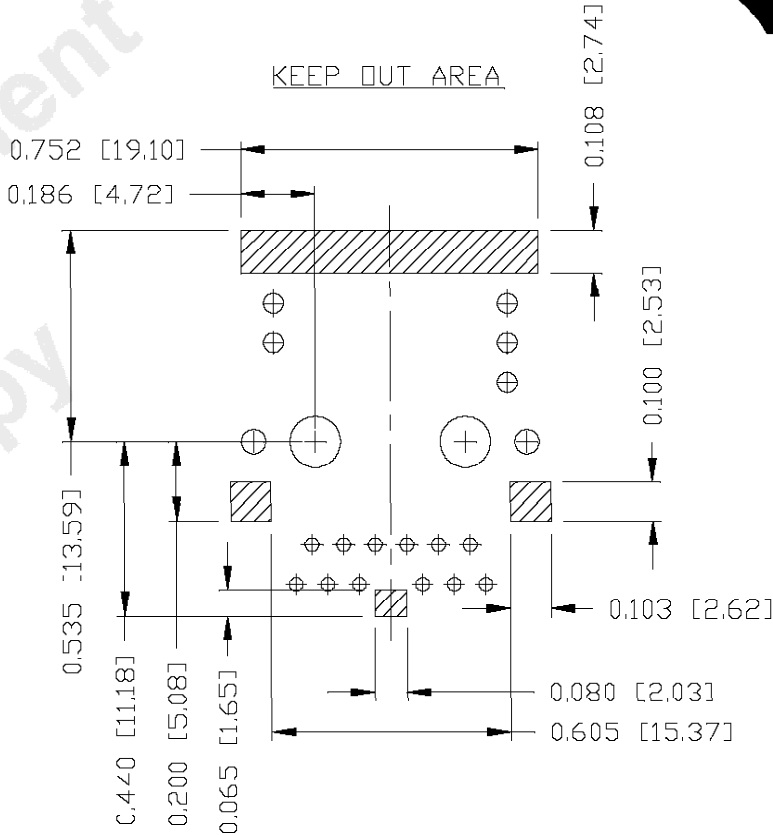
RECOMMENDED PCB FOOTPRINT

COMPONENT SIDE VIEW



FOR ONE UNIT

KEEP OUT AREA



THE SHADED AREA ON THE CUSTOMER BOARD ARE RECOMMENDED TO BE CLEAR OFF ANY VIA HOLE OR COMPONENT PAD.

ORIGINATED BY
SANDY LIN
DATE 2021-05-31
DRAWN BY
RUAN WENJUN
DATE 2021-05-31

TITLE
10 Gigabit MagJack®
(Ultra Low Profile)
PATENTED

PART NO. / DRAWING NO.
G10-1GHT-056H
FILE NAME
G10-1GHT-056H_1.DWG

STANDARD DIM. TOL. IN INCH	[] METRIC DIM. AS REF.
.X	UNIT : INCH [mm]
.XX	SCALE : N/A
.XXX	±0.004 SIZE : A4

REV. : 1 PAGE : 4

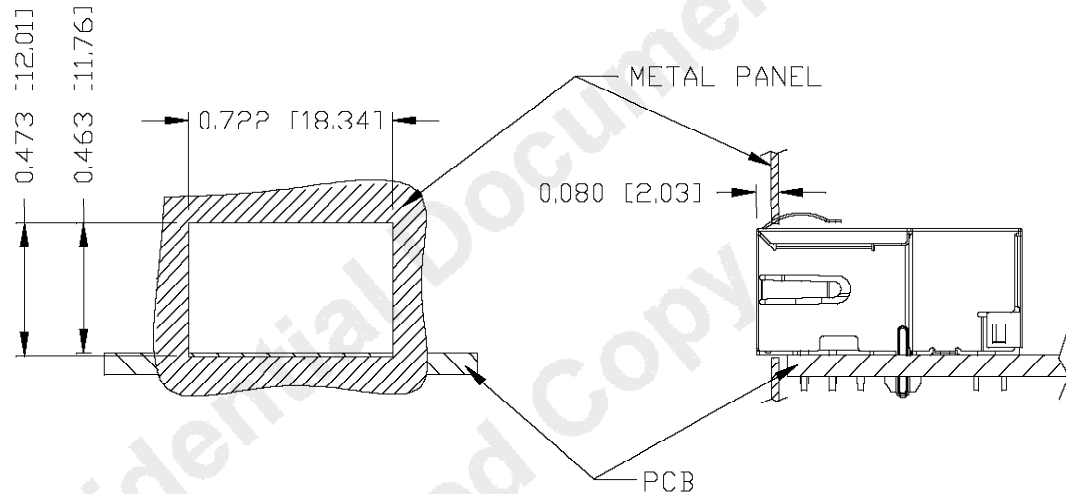


THE INFORMATION CONTAINED HEREIN IS CONSIDERED "PROPRIETARY" TO BEL FUSE INC. AND SHALL NOT BE COPIED, REPRODUCED OR DISCLOSED WITHOUT THE WRITTEN APPROVAL OF BEL FUSE INC.

PRELIMINARY



SUGGESTED PANEL OPENING



NOTE:

THE DISTANCE OF PANEL INSIDE SURFACE RELATIVE TO FRONT SURFACE OF PART IS ONLY A SUGGESTION. IN CASE THIS DISTANCE IS DIFFERENT, THE REQUIRED PANEL OPENING DIMENSIONS CHANGE ACCORDINGLY.

TRAY PACKING INFORMATION

PACKING TRAY : 0200-9999-E4 (TOP)
0200-9999-E5 (BOTTOM)

PACKING QUANTITY : 60 PCS FINISHED GOODS PER TRAY
11 TRAYS (660 PCS FINISHED GOODS) PER CARTON BOX

NOTE : CARDBOARDS ARE PLACED BETWEEN LAYERS OF PACKING TRAY INSIDE CARTON BOX (INCLUDE THE UPPERMOST AND LOWERMOST TRAY)

REV. : 1 PAGE : 5

ORIGINATED BY
SANDY LIN
DATE 2021-05-31
DRAWN BY
RUAN WENJUN
DATE 2021-05-31

TITLE
10 Gigabit MagJack®
(Ultra Low Profile)
PATENTED

PART NO. / DRAWING NO.
G10-1GHT-056H
FILE NAME
G10-1GHT-056H_1.DWG

STANDARD DIM. TOL. IN INCH		[] METRIC DIM. AS REF.
.X		UNIT : INCH [mm]
.XX		SCALE : N/A
.XXX	±0.005	SIZE : A4

