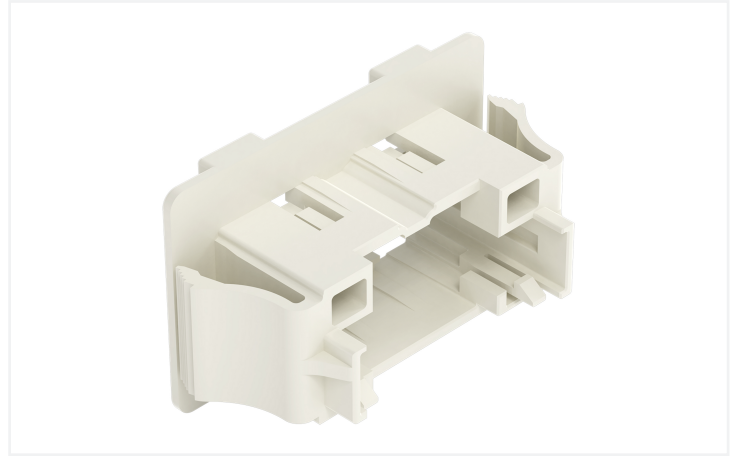
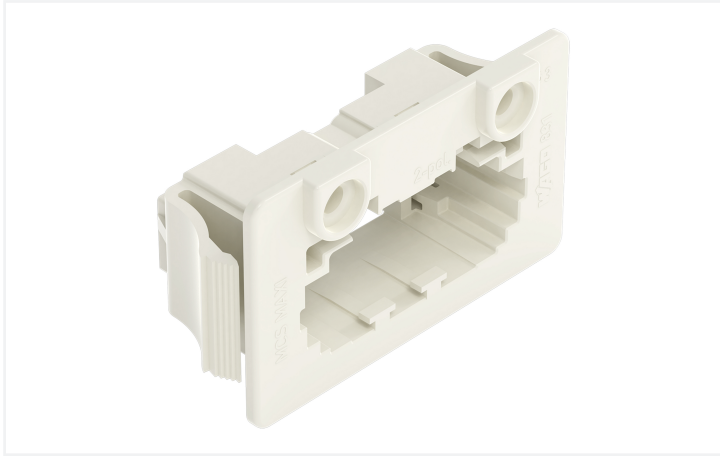


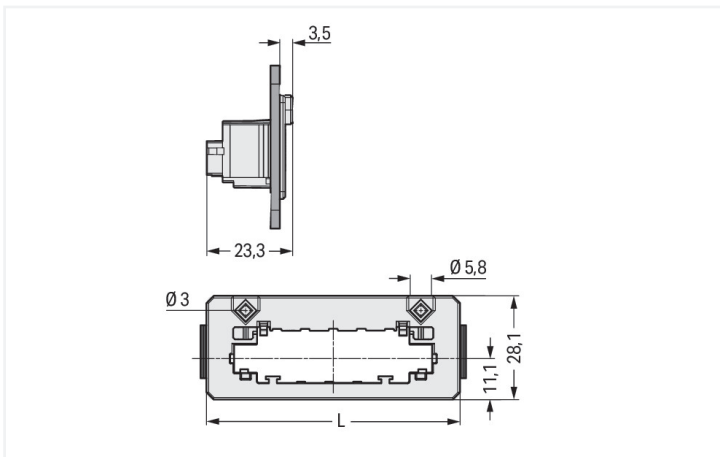
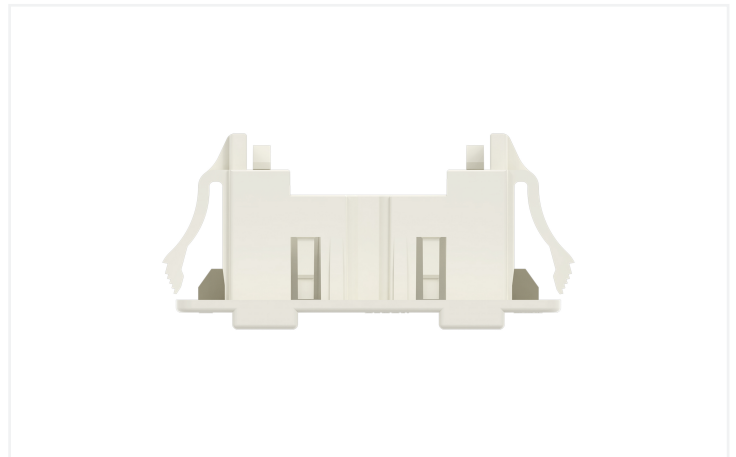
# Data Sheet | Item Number: 831-302

Snap-in frame; for male connectors; 1 part; Pin spacing 7.62 mm; 2-pole; light gray

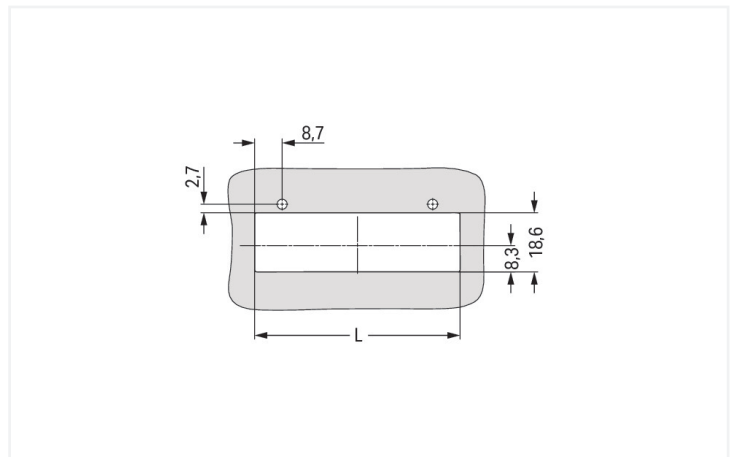
<https://www.wago.com/831-302>



Color: ■ light gray



Dimensions in mm  
 $L = (\text{pole no.} \times 7.62 \text{ mm}) + 30.6 \text{ mm}$



Dimensions in mm  
Panel cutout for snap-in frame  $L = (\text{pole no.} \times 7.62 \text{ mm}) + 26.8 \text{ mm}$

- Snap-in frames for through-panel MCS MAXI connectors
- Fast and easy installation – without tools
- Compatible with MCS MAXI male and female connectors
- For panel thickness ranging from 0.5 to 2.5 mm
- Optional screw mounting

## Connection Data

### Connection 1

Pole number	2
-------------	---

## Physical data

Width	45.84 mm / 1.805 inches
Height	28.1 mm / 1.106 inches
Depth	23.3 mm / 0.917 inches

## Mechanical data

Housing sheet thickness	0.5 ... 2.5 mm / 0.02 ... 0.098 inches
Mounting type	Snap-in flange
Mounting type	Feed-through mounting
Suitable for through-panel applications	Yes

## Plug-in connection

Mismating protection	Yes
----------------------	-----

## Material data

Note (material data)	<a href="#">Information on material specifications can be found here</a>
Color	light gray
Material group	I
Insulation material (main housing)	Polyamide (PA66)
Flammability class per UL94	V0
Fire load	0.156 MJ
Weight	5.8 g

## Commercial data

PU (SPU)	48 pcs
Packaging type	Box
Country of origin	DE
GTIN	4055143564700
Customs tariff number	39269097900

## Product Classification

UNSPSC	39121702
eCl@ss 10.0	27-14-11-92
eCl@ss 9.0	27-14-11-92
ETIM 9.0	EC002848
ETIM 10.0	EC002848
ECCN	NO US CLASSIFICATION

**Environmental Product Compliance**

RoHS Compliance Status	Compliant, No Exemption
------------------------	-------------------------

**Downloads**

**Environmental Product Compliance**

<b>Compliance Search</b>			
Environmental Product Compliance 831-302			↓

**Documentation**

<b>Additional Information</b>			
Technical Section	03.04.2019	pdf 2027.26 KB	↓

**CAD/CAE-Data**

<b>CAD data</b>	
2D/3D Models 831-302	↓

<b>CAE data</b>	
ZUKEN Portal 831-302	↓

**1 Compatible Products**

**1.1 Optional Accessories**

**1.1.1 Cover**

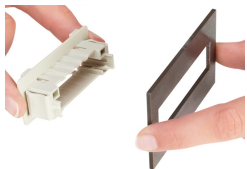
**1.1.1.1 Snap-in frame**



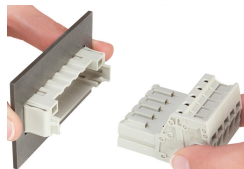
**Item No.: 831-321**  
 Lockout pin; for male connectors; 2 parts; light gray

**Installation Notes**

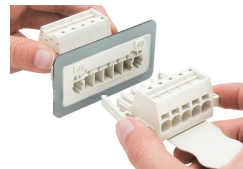
**Installation**



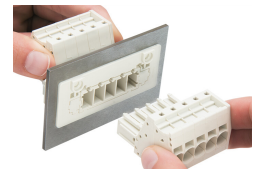
Insert the snap-in frame into the cutout.



Insert the male connector into the snap-in frame.



Inserting a female connector equipped with lateral locking levers.



Inserting a female connector without lateral locking levers – lockout pins are inserted on both sides of the snap-in frame.

Subject to changes. Please also observe the further product documentation!

Current addresses can be found at: [www.wago.com](http://www.wago.com)