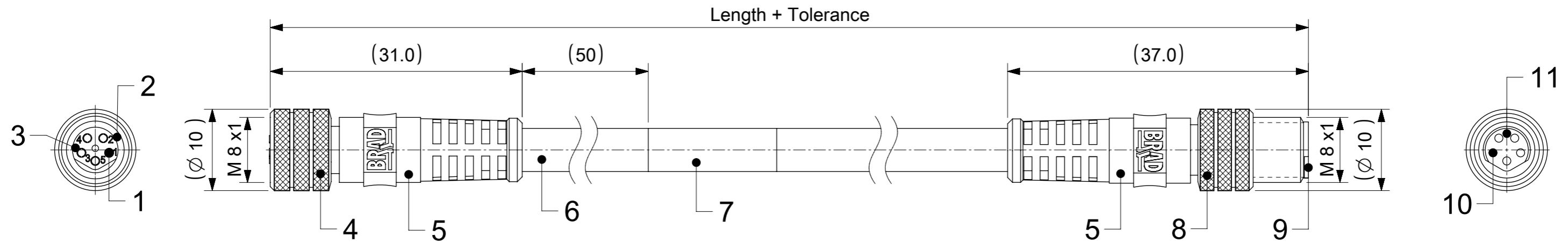


FEMALE PLUG M8 STRAIGHT TO MALE PLUG M8 STRAIGHT



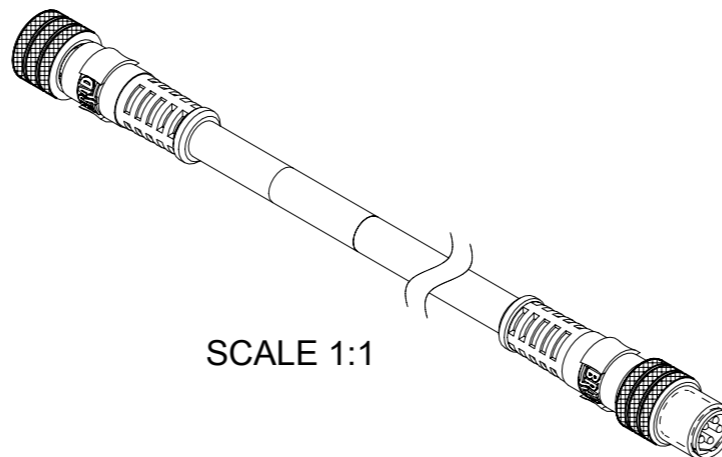
NOTES:

- RATED VOLTAGE: 3 contacts 60V AC/DC
4 and 5 contacts 30V AC/DC
- CURRENT RATING: 3, 4, 5 contacts 3A
- PROTECTION CLASS: IP 67 in mated and locked position.
- TEMPERATURE: SEE CABLE INFORMATION
- INSULATION RESISTANCE: 10⁸ Ω MIN.
- MATING CYCLES: MIN. 100
- PACKAGING ACCORDING TO PACKAGING SPEC. 1201202000

CONTACTS POSITION FRONT VIEW:

| | 3 CONTACTS | | 4 CONTACTS | | 5 CONTACTS | |
|-------------|------------|-------|------------|-------|------------|-------|
| FEMALE | | | | | | |
| MALE | | | | | | |
| CONNECTIONS | PIN | WIRE | PIN | WIRE | PIN | WIRE |
| | 1 | BROWN | 1 | BROWN | 1 | BROWN |
| | 3 | BLUE | 2 | WHITE | 2 | WHITE |
| | 4 | BLACK | 3 | BLUE | 3 | BLUE |
| | | | 4 | BLACK | 4 | BLACK |
| | | | | | 5 | GREY |

CODING ACCORDING TO IEC 61076-2-104



FOR OPTIONS SEE - NUMERICAL CODE - ON SHEET 2

| ITEM | QTY. | DESCRIPTION | MATERIAL | FINISH |
|------|-----------|-------------------------|-------------|----------------------|
| 11 | 1 | INSERT MALE BLACK | TPU | --- |
| 10 | 3 / 4 / 5 | CONTACT M8 MALE | BRASS | SELECTIVE Au OVER Ni |
| 9 | 1 | SLEEVE | BRASS | NICKEL |
| 8 | 1 | COUPLING NUT M8 MALE | BRASS | NICKEL |
| 7 | 1 | LABEL YELLOW | VINYL | --- |
| | - | PRINTING FOR CABLES lxx | --- | --- |
| 6 | - | CABLE | SEE SHEET 2 | --- |
| 5 | - | OVERMOULDING BLACK | TPU | --- |
| 4 | 1 | COUPLING NUT M8 FEMALE | BRASS | NICKEL |
| 3 | 1 | INSERT FEMALE BLACK | TPU | --- |
| 2 | 1 | O-RING RED | FKM | --- |
| 1 | 3 / 4 / 5 | CONTACT M8 FEMALE | BRASS | SELECTIVE Au OVER Ni |

| | | | | |
|--|---|------------|--|--|
| FUNCTIONAL SYMBOLS | THIS DRAWING CONTAINS INFORMATION THAT IS PROPRIETARY TO MOLEX ELECTRONIC TECHNOLOGIES, LLC AND SHOULD NOT BE USED WITHOUT WRITTEN PERMISSION | | | |
| $\nabla_A = 0$ $\nabla_E = 0$ $\nabla_V = 0$ | DIMENSION UNITS: mm | SCALE: 2:1 | | |
| DIVISIONAL SYMBOLS | GENERAL TOLERANCES (UNLESS SPECIFIED) | | EC NO: 830554 DRWN: VHANDI APPR: THAERDT 2025/08/01 2025/08/04 | |
| | ANGULAR TOL ± 1.0° | | PRODUCT CUSTOMER DRAWING DOCUMENT NUMBER: 1200878240 DOC TYPE: PSD DOC PART: 000 REVISION: A19 | |
| | 4 PLACES ± | | INITIAL REVISION: DRWN: JMARSZALEK APPR: RSILLER 2016/09/15 2017/01/11 | |
| | 3 PLACES ± | | DRAFT WHERE APPLICABLE MUST REMAIN WITHIN DIMENSIONS | |
| | 2 PLACES ± 0.05 | | THIRD ANGLE PROJECTION | |
| | 1 PLACE ± 0.3 | | DRAWING: A3-SIZE SERIES: 120087 | |
| | 0 PLACES ± 0.5 | | MATERIAL NUMBER: SEE PART LIST CUSTOMER: GENERAL MARKET SHEET NUMBER: 1 OF 4 | |

ENGINEERING NO. - NUMERICAL CODE (Available parts see PART LIST table. Other parts available upon request).

OPTIONS

4 4 X 0 3 0 X X X X X X X X

44=Nano-Change
M8x1
Double ended

Contacts:
3=3 Contacts
4=4 Contacts
5=5 Contacts

Heads style:
030=Plug Female Straight
to Plug Male Straight

Cable type: See Table

Units:
M=Meter
C=Centimeter

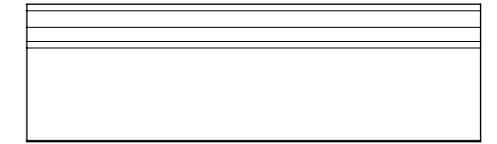
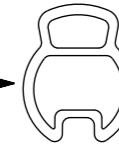
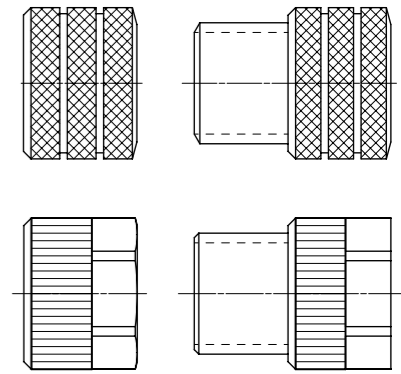
Length
Examples:
005=0.5 unit
010=1 unit
100=10 unit

Overmold color:
Blank (Standard)=Black
A=Grey / G=Black / Y=Yellow

Coupling Nut:
Blank (Standard)=Knurled Brass Ni Plated
9=Knurled / Hexagonal SW9 Brass Ni Plated

H= 2 pcs. of I/D Carrier PVC Transparent
(Cables Ixx & P82 always with 2 pcs. of
I/D Carrier)

COUPLING NUT
FEMALE MALE



CABLE INFORMATION (for more information see Cable Data Sheet).

| CABLE TYPE | NO. OF WIRES | CROSS SECTION | CABLE JACKET | UL | CSA | STATIC: TEMP. / BENDING RADIUS | DYNAMIC: TEMP. / BENDING RADIUS | DRAG CHAIN | SHIELD |
|------------|--------------|----------------------|-----------------|----------------|--------------------------|--------------------------------|---------------------------------|---|--------|
| E02 | 3 / 4 / 5 | 0.25 mm ² | PVC BLACK | UL 2464/1729 | C22.2 I/II A/B 80°C/300V | -30°C to +80°C, >10xO.D. | -10°C to +80°C, >15xO.D. | - | - |
| H08 | 3 / 4 / 5 | 0.25 mm ² | PUR BLACK LS0H | UL 21198/10493 | C22.2 I/II A/B 80°C/300V | -40°C to +80°C, >5xO.D. | -25°C to +80°C, >10xO.D. | 2 000 000 cycles at 20°C, Temp. range +5°C to +60°C | - |
| I02 | 3 / 4 | 0.25 mm ² | PVC CEI GREY | - | - | -30°C to +70°C | -5°C to +70°C | - | - |
| P02 | 3 / 4 / 5 | 0.25 mm ² | PUR / PVC BLACK | - | - | -30°C to +80°C, >7xO.D. | -5°C to +80°C, >15xO.D. | - | - |
| P82 | 3 | 0.34 mm ² | PUR IRR ORANGE | - | - | -50°C to +105°C, >5xO.D. | -40°C to +105°C, >7.5xO.D. | - | - |
| H70 | 5 | 0.25 mm ² | PUR BLACK | - | - | -40°C to +80°C, >5xO.D. | -25°C to +80°C, >10xO.D. | 2 000 000 cycles at 20°C, Temp. range +5°C to +60°C | - |

CABLE LENGTH TOLERANCES

| OVER | UP TO AND INCLUDING | TOLERANCES |
|---------|---------------------|------------------------|
| 0 | 305mm | +19mm |
| 305mm | 915mm | +45mm |
| 915mm | 1830mm | +56mm |
| 1830mm | 3660mm | +89mm |
| 3660mm | 7320mm | +165mm |
| 7320mm | 14640mm | +317mm |
| 14640mm | 30500mm | +610mm |
| 30500mm | > | +2% of finished length |

| | | | | |
|--|---|---|---------------------------|--------------|
| FUNCTIONAL SYMBOLS | THIS DRAWING CONTAINS INFORMATION THAT IS PROPRIETARY TO MOLEX ELECTRONIC TECHNOLOGIES, LLC AND SHOULD NOT BE USED WITHOUT WRITTEN PERMISSION | | | |
| | $\nabla_A = 0$ $\nabla_F = 0$ $\nabla_V = 0$ | DIMENSION UNITS: mm SCALE: 2:1 | | |
| DIVISIONAL SYMBOLS | GENERAL TOLERANCES (UNLESS SPECIFIED) | | EC NO: 830554 | |
| | ANGULAR TOL ± 1.0° | | DRWN: VHANDI 2025/08/01 | |
| | 4 PLACES ± | | CHK'D: THAERDT 2025/08/04 | |
| | 2 PLACES ± 0.05 | | APPR: THAERDT 2025/08/04 | |
| 1 PLACE ± 0.3 | | INITIAL REVISION: | | |
| 0 PLACES ± 0.5 | | DRWN: JMARSZALEK 2016/09/15 | | |
| DRAFT WHERE APPLICABLE MUST REMAIN WITHIN DIMENSIONS | | THIRD ANGLE PROJECTION | DRAWING | SERIES |
| | | | A3-SIZE | 120087 |
| | | DOCUMENT NUMBER | CUSTOMER | SHEET NUMBER |
| | | 1200878240 | GENERAL MARKET | 2 OF 4 |

PART LIST

| MOLEX P/N | ENGINEERING No. | L[m] |
|--------------|-----------------|------|
| 3P CABLE H08 | | |
| 1200878982 | 443030H08M003H | 0.3m |
| 1200878558 | 443030H08M006 | 0.6m |
| 1200879035 | 443030H08M006H | 0.6m |
| 1200878500 | 443030H08M010 | 1m |
| 1200879036 | 443030H08M010H | 1m |
| 1200878983 | 443030H08M015H | 1.5m |
| 1200878149 | 443030H08M020 | 2m |
| 1200879056 | 443030H08M020H | 2m |
| 1200878540 | 443030H08M020Y | 2m |
| 1200879037 | 443030H08M025H | 2.5m |
| 1200878126 | 443030H08M030 | 3m |
| 1200879090 | 443030H08M035H | 3.5m |
| 1200878998 | 443030H08M030H | 3m |
| 1200878166 | 443030H08M040 | 4m |
| 1200879001 | 443030H08M040H | 4m |
| 1200878984 | 443030H08M045H | 4.5m |
| 1200878127 | 443030H08M050 | 5m |
| 1200878999 | 443030H08M050H | 5m |
| 1200878539 | 443030H08M050Y | 5m |
| 1200878636 | 443030H08M055 | 5.5m |
| 1200878699 | 443030H08M055H | 5.5m |
| 1200879080 | 443030H08M060 | 6m |
| 1200879055 | 443030H08M060H | 6m |
| 1200878808 | 443030H08M065H | 6.5m |
| 1200878985 | 443030H08M065 | 6.5m |
| 1200878986 | 443030H08M075H | 7.5m |
| 1200878626 | 443030H08M080 | 8m |
| 1200879050 | 443030H08M080H | 8m |
| 1200878978 | 443030H08M100 | 10m |
| 1200879081 | 443030H08M120 | 12m |
| 1200879082 | 443030H08M140 | 14m |
| 1200879083 | 443030H08M160 | 16m |
| 1200879084 | 443030H08M180 | 18m |
| 1200879085 | 443030H08M200 | 20m |
| 1200879086 | 443030H08M220 | 22m |
| 1200879087 | 443030H08M240 | 24m |


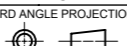
| MOLEX P/N | ENGINEERING No. | L[m] |
|--------------|-----------------|-------|
| 4P CABLE H08 | | |
| 1200878124 | 444030H08M003 | 0.3m |
| 1200878997 | 444030H08M003H | 0.3m |
| 1200878951 | 444030H08C350 | 0.35m |
| 1200878559 | 444030H08M006 | 0.6m |
| 1200879007 | 444030H08M006H | 0.6m |
| 1200878952 | 444030H08C750 | 0.75m |
| 1200878495 | 444030H08M010 | 1m |
| 1200879004 | 444030H08M010H | 1m |
| 1200878987 | 444030H08M015H | 1.5m |
| 1200878356 | 444030H08M020 | 2m |
| 1200879003 | 444030H08M020H | 2m |
| 1200878988 | 444030H08M025H | 2.5m |
| 1200878941 | 444030H08M030 | 3m |
| 1200879010 | 444030H08M030H | 3m |
| 1200879052 | 444030H08M035H | 3.5m |
| 1200879053 | 444030H08M040H | 4m |
| 1200879100 | 444030H08M045H | 4.5m |
| 1200878509 | 444030H08M050 | 5m |
| 1200879054 | 444030H08M050H | 5m |
| 1200879094 | 444030H08M055H | 5.5m |
| 1200879074 | 444030H08M060H | 6m |
| 1200879095 | 444030H08M065H | 6.5m |
| 1200879096 | 444030H08M070H | 7m |
| 1200879103 | 443030H08M070H | 7m |
| 1200879097 | 444030H08M075H | 7.5m |
| 1200879098 | 444030H08M080H | 8m |
| 1200878843 | 444030H08M100 | 10m |
| 1200878844 | 444030H08M250 | 25m |
| 5P CABLE H08 | | |
| 1200878847 | 445030H08M006 | 0.6m |
| 1200271413 | 445030H08M010 | 1m |
| 1200878946 | 445030H08M020 | 2m |
| 1200878980 | 445030H08M030 | 3m |
| 1200878627 | 445030H08M040 | 4m |
| 1200878947 | 445030H08M050 | 5m |

A18

A18

| MOLEX P/N | ENGINEERING No. | L[m] |
|--------------|-----------------|------|
| 3P CABLE E02 | | |
| 1200878272 | 443030E02M002G | 0.2m |
| 1200878273 | 443030E02M003 | 0.3m |
| 1200878576 | 443030E02M003H | 0.3m |
| 1200878809 | 443030E02M0039H | 0.3m |
| 1200875035 | 443030E02M006 | 0.6m |
| 1200878538 | 443030E02M006Y | 0.6m |
| 1200878642 | 443030E02M006H | 0.6m |
| 1200878258 | 443030E02M010 | 1m |
| 1200878643 | 443030E02M010H | 1m |
| 1200878280 | 443030E02M010G | 1m |
| 1200878541 | 443030E02M010Y | 1m |
| 1200878281 | 443030E02M012G | 1.2m |
| 1200878274 | 443030E02M015 | 1.5m |
| 1200878689 | 443030E02M015H | 1.5m |
| 1200878850 | 443030E02M0159H | 1.5m |
| 1200280321 | 443030E02M020 | 2m |
| 1200878535 | 443030E02M020Y | 2m |
| 1200878644 | 443030E02M020H | 2m |
| 1200281282 | 443030E02M025 | 2.5m |
| 1200878275 | 443030E02M025H | 2.5m |
| 1200280343 | 443030E02M030 | 3m |
| 1200878645 | 443030E02M030H | 3m |
| 1200280464 | 443030E02M040 | 4m |
| 1200878537 | 443030E02M040Y | 4m |
| 1200878655 | 443030E02M040H | 4m |
| 1200280462 | 443030E02M050 | 5m |
| 1200878536 | 443030E02M050Y | 5m |
| 1200878276 | 443030E02M050H | 5m |
| 1200878277 | 443030E02M060 | 6m |
| 1200878663 | 443030E02M060H | 6m |
| 1200878494 | 443030E02M070 | 7m |
| 1200878635 | 443030E02M080 | 8m |
| 1200878671 | 443030E02M080H | 8m |
| 1200878278 | 443030E02M100 | 10m |
| 1200878834 | 443030E02M1009H | 10m |
| 1200878279 | 443030E02M150 | 15m |
| 1200878923 | 443030E02M1509H | 15m |

| MOLEX P/N | ENGINEERING No. | L[m] |
|--------------|-----------------|------|
| 4P CABLE E02 | | |
| 1200878346 | 444030E02M003 | 0.3m |
| 1200878574 | 444030E02M003H | 0.3m |
| 1200878347 | 444030E02M005 | 0.5m |
| 1200878665 | 444030E02M005H | 0.5m |
| 1200878348 | 444030E02M006 | 0.6m |
| 1200878577 | 444030E02M006H | 0.6m |
| 1200878810 | 444030E02M0069H | 0.6m |
| 1200878349 | 444030E02M010 | 1m |
| 1200878692 | 444030E02M010H | 1m |
| 1200878828 | 444030E02M0109H | 1m |
| 1200281284 | 444030E02M015 | 1.5m |
| 1200878661 | 444030E02M015H | 1.5m |
| 1200878350 | 444030E02M020 | 2m |
| 1200878693 | 444030E02M020H | 2m |
| 1200878351 | 444030E02M025 | 2.5m |
| 1200878666 | 444030E02M025H | 2.5m |
| 1200878352 | 444030E02M030 | 3m |
| 1200878575 | 444030E02M030H | 3m |
| 1200878811 | 444030E02M0309H | 3m |
| 1200878353 | 444030E02M040 | 4m |
| 1200878354 | 444030E02M050 | 5m |
| 1200878355 | 444030E02M100 | 10m |
| 1200878161 | 444030E02M200 | 20m |
| 1200878658 | 444030E02M250 | 25m |
| 5P CABLE E02 | | |
| 1200878239 | 445030E02M006 | 0.6m |
| 1200878950 | 445030E02M010 | 1m |
| 1200878240 | 445030E02M020 | 2m |
| 1200878241 | 445030E02M050 | 5m |

| | | | | | | | |
|--|---|---|--|---|-----------------|----------------|------------------------------------|
| FUNCTIONAL SYMBOLS | THIS DRAWING CONTAINS INFORMATION THAT IS PROPRIETARY TO MOLEX ELECTRONIC TECHNOLOGIES, LLC AND SHOULD NOT BE USED WITHOUT WRITTEN PERMISSION | CURRENT REV DESC: ADDED TWO NEW PNS' 1200879100 & 1200879103 TO THE DRAWING. | |  | | | |
| | $\nabla_A = 0$ $\nabla_E = 0$ $\nabla_P = 0$ | DIMENSION UNITS: mm SCALE: 2:1 | GENERAL TOLERANCES (UNLESS SPECIFIED) ANGULAR TOL $\pm 1.0^\circ$ | | | | |
| DIVISIONAL SYMBOLS | EC NO: 830554 | DRWN: VHANDI | 2025/08/01 | PRODUCT CUSTOMER DRAWING | | | |
| | 4 PLACES \pm 3 PLACES \pm 2 PLACES ± 0.05 1 PLACE ± 0.3 0 PLACES ± 0.5 | APPR: THAERDT 2025/08/04 | INITIAL REVISION: DRWN: JMARSZALEK APPR: RSILLER 2016/09/15 2017/01/11 | | | | DOCUMENT NUMBER: 1200878240 |
| DRAFT WHERE APPLICABLE MUST REMAIN WITHIN DIMENSIONS | | THIRD ANGLE PROJECTION | DRAWING | SERIES | MATERIAL NUMBER | CUSTOMER | SHEET NUMBER |
| | |  | A3-SIZE | 120087 | SEE PART LIST | GENERAL MARKET | 3 OF 4 |


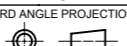
PART LIST

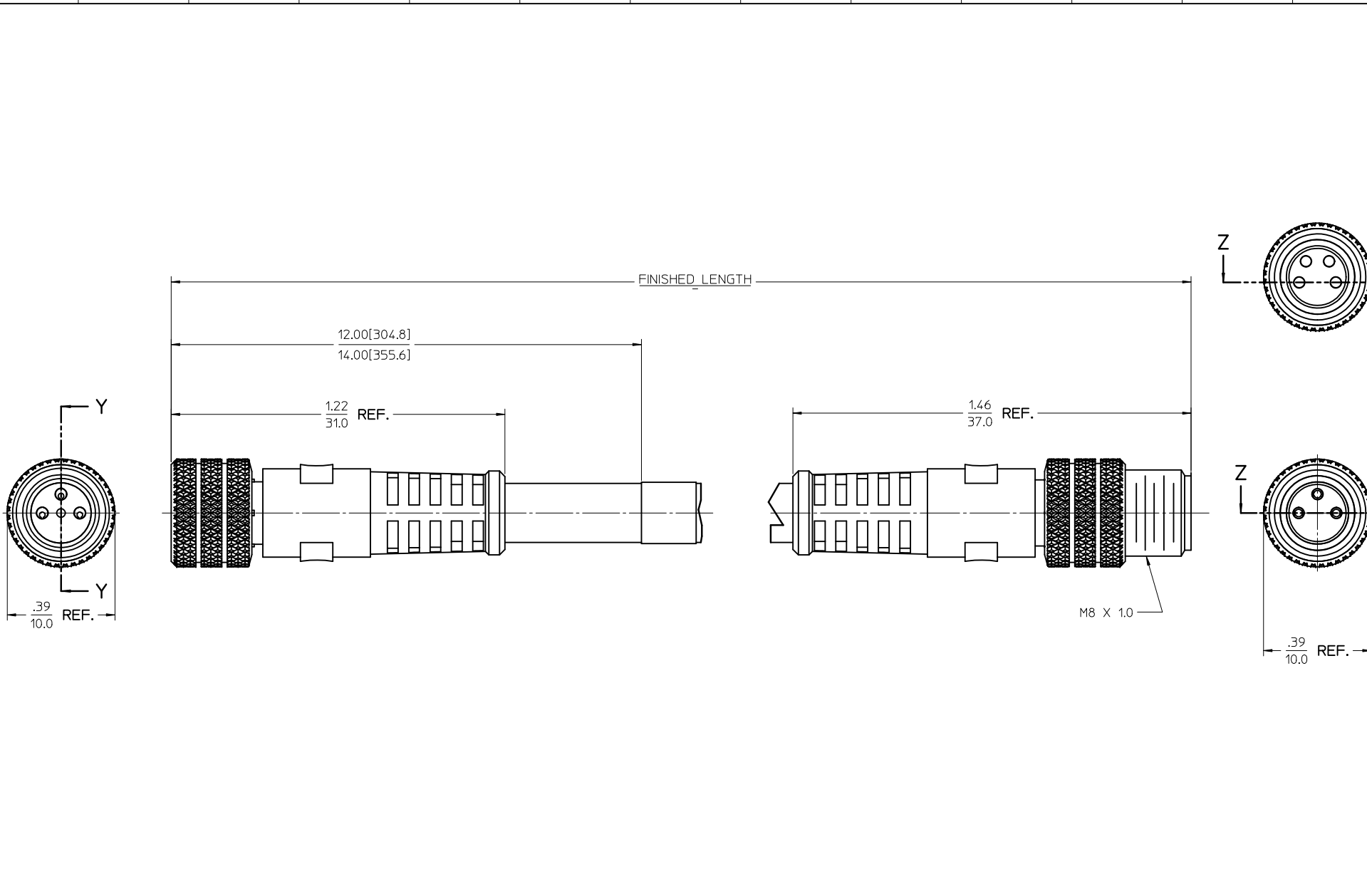
| MOLEX P/N | ENGINEERING No. | L[m] |
|--------------|-----------------|------|
| 3P CABLE P02 | | |
| 1200878292 | 443030P02M003 | 0.3m |
| 1200878141 | 443030P02M006 | 0.6m |
| 1200878140 | 443030P02M010 | 1m |
| 1200878596 | 443030P02M010H | 1m |
| 1200878293 | 443030P02M015 | 1.5m |
| 1200878294 | 443030P02M020 | 2m |
| 1200878295 | 443030P02M025 | 2.5m |
| 1200878296 | 443030P02M030 | 3m |
| 1200878297 | 443030P02M030G | 3m |
| 1200878298 | 443030P02M035 | 3.5m |
| 1200878299 | 443030P02M040 | 4m |
| 1200878233 | 443030P02M050 | 5m |
| 1200878300 | 443030P02M060 | 6m |
| 1200878301 | 443030P02M070 | 7m |
| 1200878234 | 443030P02M100 | 10m |
| 1200878302 | 443030P02M150 | 15m |
| 4P CABLE P02 | | |
| 1200878357 | 444030P02M003 | 0.3m |
| 1200878358 | 444030P02M006 | 0.6m |
| 1200878359 | 444030P02M010 | 1m |
| 1200878360 | 444030P02M020 | 2m |
| 1200878361 | 444030P02M030 | 3m |
| 1200878362 | 444030P02M050 | 5m |
| 1200878812 | 444030P02M100 | 10m |
| 5P CABLE P02 | | |
| 1200870687 | 445030P02M006 | 0.6m |
| 1200281309 | 445030P02M010 | 1m |
| 1200878035 | 445030P02M020 | 2m |
| 1200870688 | 445030P02M030 | 3m |
| 1200878036 | 445030P02M040 | 4m |
| 1200281310 | 445030P02M050 | 5m |
| 1200878037 | 445030P02M100 | 10m |
| 1200878139 | 445030P02M250 | 25m |

| MOLEX P/N | ENGINEERING No. | L[m] |
|--------------|-----------------|------|
| 3P CABLE I02 | | |
| 1200878282 | 443030I02M003 | 0.3m |
| 1200280384 | 443030I02M006 | 0.6m |
| 1200280427 | 443030I02M010 | 1m |
| 1200878283 | 443030I02M015 | 1.5m |
| 1200878284 | 443030I02M020 | 2m |
| 1200878285 | 443030I02M030 | 3m |
| 1200878286 | 443030I02M040 | 4m |
| 1200878287 | 443030I02M050 | 5m |
| 1200878288 | 443030I02M060 | 6m |
| 1200878289 | 443030I02M070 | 7m |
| 1200878290 | 443030I02M100 | 10m |
| 1200878291 | 443030I02M150 | 15m |

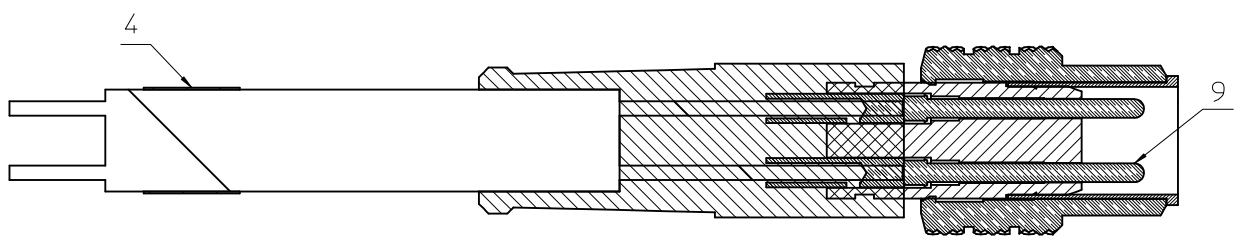
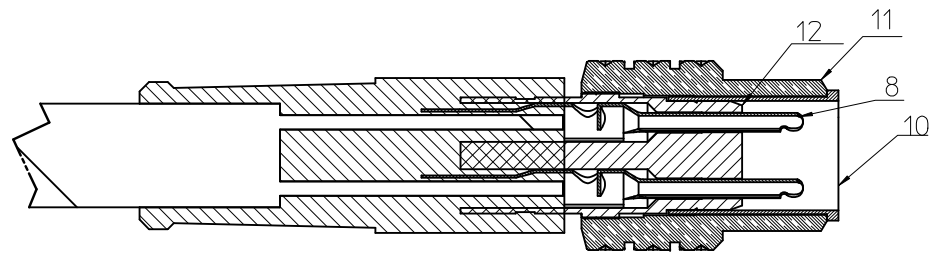
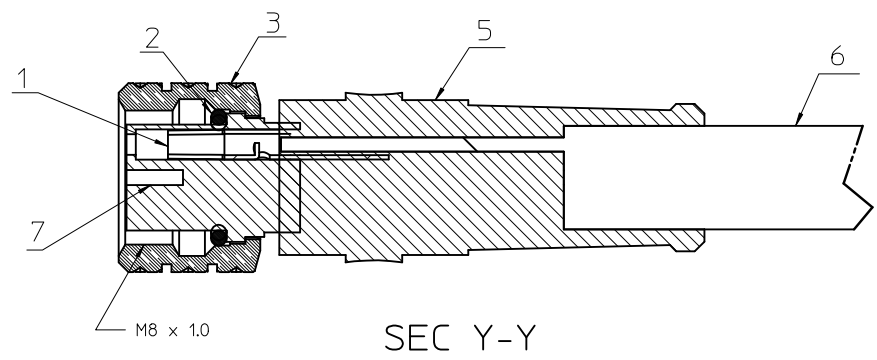
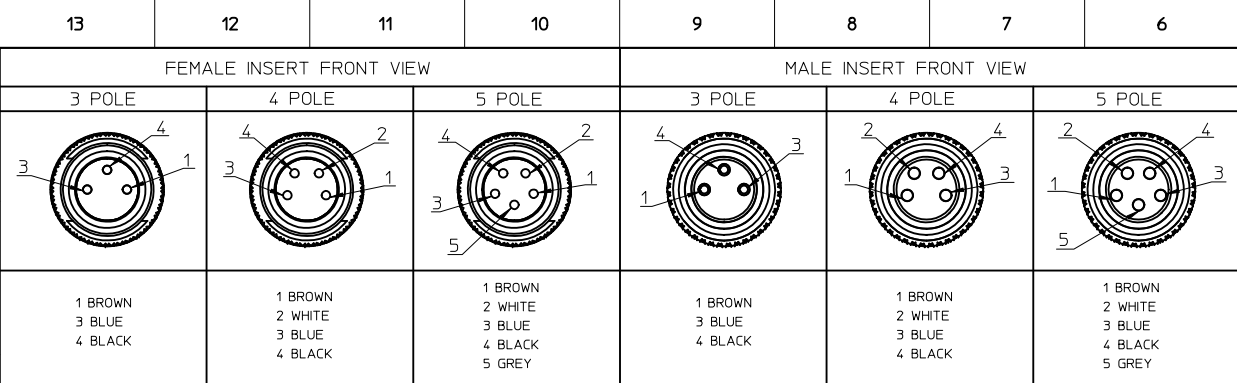
| MOLEX P/N | ENGINEERING No. | L[m] |
|--------------|-----------------|------|
| 3P CABLE P82 | | |
| 1200281222 | 443030P82M003 | 0.3m |
| 1200878025 | 443030P82M006 | 0.6m |

| MOLEX P/N | ENGINEERING No. | L[m] |
|--------------|-----------------|------|
| 5P CABLE H70 | | |
| 1200888155 | 445030H70M020 | 2m |

| | | | |
|--------------------|---|---|--|
| FUNCTIONAL SYMBOLS | THIS DRAWING CONTAINS INFORMATION THAT IS PROPRIETARY TO MOLEX ELECTRONIC TECHNOLOGIES, LLC AND SHOULD NOT BE USED WITHOUT WRITTEN PERMISSION | | |
| | DIMENSION UNITS | SCALE | CURRENT REV DESC: ADDED TWO NEW PNS' 1200879100 & 1200879103 TO THE DRAWING. |
| $\nabla_A = 0$ | mm | 1:1 |  CSE M8 M8 XP AC BC FE STR MA STR XM |
| $\nabla_B = 0$ | GENERAL TOLERANCES (UNLESS SPECIFIED) | | |
| $\nabla_C = 0$ | ANGULAR TOL $\pm 1.0^\circ$ | | EC NO: 830554 DRWN: VHANDI 2025/08/01 CHK'D: THAERDT 2025/08/04 APPR: THAERDT 2025/08/04 |
| DIVISIONAL SYMBOLS | 4 PLACES \pm | | |
| | 3 PLACES \pm | | INITIAL REVISION: DRWN: JMARSZALEK 2016/09/15 APPR: RSILLER 2017/01/11 |
| | 2 PLACES ± 0.05 | | |
| | 1 PLACE ± 0.3 | | DOCUMENT NUMBER |
| | 0 PLACES ± 0.5 | | 1200878240 |
| | DRAFT WHERE APPLICABLE MUST REMAIN WITHIN DIMENSIONS | THIRD ANGLE PROJECTION | DOC TYPE |
| | |  | PSD |
| | | DRAWING | DOC PART |
| | | A3-SIZE | 000 |
| | | SERIES | REVISION |
| | | 120087 | A19 |
| | | MATERIAL NUMBER | SHEET NUMBER |
| | | SEE PART LIST | 4 OF 4 |
| | | CUSTOMER | |
| | | GENERAL MARKET | |



| | | | | | | | | | | |
|--|-------------------------------|---------------------------------------|----------|--------------------------|----------|-----------------------------------|----------------------|------------------------|--|--|
| ENTER DESCRIPTION EC NO: WEU2012-0001 DRW:RSCHLEBER 2011/07/06 CHK:DREISSNER 2011/07/13 APPR:CBURGER 2011/07/20 | QUALITY SYMBOLS ▽=0 ▽=0 | GENERAL TOLERANCES (UNLESS SPECIFIED) | | DIMENSION STYLE IN/MM | | SCALE 4:1 | DESIGN UNITS INCH | THIRD ANGLE PROJECTION | | |
| | | 4 PLACES ± .01 | ± .01 | DRAWN BY | DATE | CSE M8 XP MA FE STR PUR PVC UN | | | | |
| | | 3 PLACES ± .01 | ± .01 | BWOODMAN | 18/08/09 | | | | | |
| | | 2 PLACES ± .01 | ± .01 | CHECKED BY | DATE | MOLEX INCORPORATED | | | | |
| 1 PLACE ± 0.3 | ± .01 | RSTONE | 18/08/09 | | | | | | | |
| ANGULAR ±1/2° | | APPROVED BY | DATE | MATERIAL NO. | | DOCUMENT NO. | | SHEET NO. | | |
| DRAFT WHERE APPLICABLE MUST REMAIN WITHIN DIMENSIONS | | JFMURPHY | 18/08/09 | SEE SHEET 3 | | SD-120028-001 | | 1 OF 3 | | |
| THIS DRAWING CONTAINS INFORMATION THAT IS PROPRIETARY TO MOLEX INCORPORATED AND SHOULD NOT BE USED WITHOUT WRITTEN PERMISSION | | | | | | | | | | |



| | | | | | | | | | |
|---|--------------------------------|---|--|--------------------------------------|----------------------------|---|------------------------|--|--|
| ENTER DESCRIPTION EC NO: WEU2012-0001 DRAWNRSCHIEBER 2011/07/06 CHKDHREISSNER 2011/07/13 APPR:CBURGER 2011/07/20 | QUALITY SYMBOLS | GENERAL TOLERANCES (UNLESS SPECIFIED) | | DIMENSION STYLE IN/MM | SCALE 5:1 | DESIGN UNITS INCH | THIRD ANGLE PROJECTION | | |
| | | 4 PLACES ± --- ± --- 3 PLACES ± --- ± --- 2 PLACES ± --- ± .01 1 PLACE ± 0.3 ± --- | mm INCH ± --- ± --- ± --- ± .01 ± --- ± --- | DRAWN BY BWOODMAN | DATE 18/08/09 | TITLE CSE M8 XP MA FE STR PUR PVC UN | | | |
| | | APPROVED BY JFMURPHY | | DATE 18/08/09 | MOLEX INCORPORATED | | | | |
| | | MATERIAL NO. SEE SHEET 3 | | DOCUMENT NO. SD-120028-001 | SHEET NO. 2 OF 3 | | | | |

DRAFT WHERE APPLICABLE MUST REMAIN WITHIN DIMENSIONS

THIS DRAWING CONTAINS INFORMATION THAT IS PROPRIETARY TO MOLEX INCORPORATED AND SHOULD NOT BE USED WITHOUT WRITTEN PERMISSION

| PART NUMBER | DESCRIPTION | FINISHED LENGTH | MATERIAL |
|-------------|---------------|---------------------------------|----------|
| 1200878141 | 443030P02M006 | 0.6M +45MM -0 [1' 11" +1.8" -0] | PUR |
| 1200878140 | 443030P02M010 | 1M +56MM -0 [3' 3" +2.2" -0] | PUR |
| 1200878293 | 443030P02M015 | 1.5M +56MM -0 [4' 11" +2.2" -0] | PUR |
| 1200878294 | 443030P02M020 | 2M +90MM -0 [6' 6" +3.5" -0] | PUR |
| 1200878296 | 443030P02M030 | 3M +90MM -0 [9' 10" +3.5" -0] | PUR |
| 1200878299 | 443030P02M040 | 4M +150MM -0 [13' 1" +6" -0] | PUR |
| 1200878233 | 443030P02M050 | 5M +150MM -0 [16' 4" +6" -0] | PUR |
| 1200878358 | 444030P02M006 | 0.6M +45MM -0 [1' 11" +1.8" -0] | PUR |
| 1200878359 | 444030P02M010 | 1M +56MM -0 [3' 3" +2.2" -0] | PUR |
| 1200878360 | 444030P02M020 | 2M +90MM -0 [6' 6" +3.5" -0] | PUR |
| 1200878361 | 444030P02M030 | 3M +90MM -0 [9' 10" +3.5" -0] | PUR |
| 1200870686 | 444030P02M040 | 4M +150MM -0 [13' 1" +6" -0] | PUR |
| 1200878362 | 444030P02M050 | 5M +150MM -0 [16' 4" +6" -0] | PUR |
| 1200870687 | 445030P02M006 | 0.6M +45MM -0 [1' 11" +1.8" -0] | PUR |
| 1200281309 | 445030P02M010 | 1M +56MM -0 [3' 3" +2.2" -0] | PUR |
| 1200878035 | 445030P02M020 | 2M +90MM -0 [6' 6" +3.5" -0] | PUR |
| 1200870688 | 445030P02M030 | 3M +90MM -0 [9' 10" +3.5" -0] | PUR |
| 1200878036 | 445030P02M040 | 4M +150MM -0 [13' 1" +6" -0] | PUR |
| 1200281310 | 445030P02M050 | 5M +150MM -0 [16' 4" +6" -0] | PUR |
| 1200875035 | 443030E02M006 | 0.6M +45MM -0 [1' 11" +1.8" -0] | PVC |
| 1200878274 | 443030E02M015 | 1.5M +56MM -0 [4' 11" +2.2" -0] | PVC |
| 1200280462 | 443030E02M050 | 5M +150MM -0 [16' 4" +6" -0] | PVC |

| SL.No | DESCRIPTION | MATERIAL | FINISH | FEMALE INSERT ASSEMBLY | | | MALE INSERT ASSEMBLY | | |
|-------|----------------------------|--------------|---------------|------------------------|--------|--------|----------------------|--------|--------|
| | | | | 3 POLE | 4 POLE | 5 POLE | 3 POLE | 4 POLE | 5 POLE |
| 1 | CONTACT SOCKET | COPPER ALLOY | GOLD PLATED | 3 | 4 | 5 | | | |
| 2 | O-RING | VITON | RED | 1 | 1 | 1 | | | |
| 3 | COUPLING NUT | BRASS | NICKEL PLATED | | | | | | |
| 4 | LABEL | PLASTIC FILM | BLACK/YELLOW | 1 | 1 | 1 | 1 | 1 | 1 |
| 5 | OVER MOLD | TPE | YELLOW | | | | | | |
| 6 | CABLE, 24 AWG, 3 CONDUCTOR | PUR JACKET | BLACK | 1 | | | 1 | | |
| | CABLE, 24 AWG, 3 CONDUCTOR | PVC JACKET | BLACK | 1 | | | 1 | | |
| | CABLE, 24 AWG, 4 CONDUCTOR | PUR JACKET | BLACK | | 1 | | | 1 | |
| 7 | CABLE, 24 AWG, 5 CONDUCTOR | PUR JACKET | BLACK | | | 1 | | | 1 |
| | INSERT FEMALE 3 POLE | PUR | BLACK | 1 | | | | | |
| | INSERT FEMALE 4 POLE | PUR | BLACK | | 1 | | | | |
| | INSERT FEMALE 5 POLE | PUR | BLACK | | | 1 | | | |
| 8 | STAMP & FORM CONTACT | COPPER ALLOY | GOLD PLATED | | | | 3 | | |
| 9 | SCREW MACHINE CONTACT | COPPER ALLOY | GOLD PLATED | | | | | 4 | 5 |
| 10 | SLEEVE | BRASS | NICKEL PLATED | | | | 1 | 1 | 1 |
| 11 | COUPLING NUT | BRASS | NICKEL PLATED | | | | 1 | 1 | 1 |
| 12 | INSERT MALE 3 POLE | PUR | BLACK | | | | 1 | | |
| | INSERT MALE 4 POLE | PUR | BLACK | | | | | 1 | |
| | INSERT MALE 5 POLE | PUR | BLACK | | | | | | 1 |

| SPECIFICATION |
|---|
| Protection Class - IP67 |
| Voltage Rating - 3 Pole/60V, 4+5 Pole/30V |
| Contact Current Rating - 3 Amps |
| Wires: 0.25mm ² PVC/PUR |

| | | | | | | | | | |
|--|----------------------------|---|--|---------------------------------|---------------------|---|-------------------------------|---------------------|--|
| ENTER DESCRIPTION EC NO: WEU2012-0001 DRWNRSCHIEBER 2011/07/06 CHKDHREISSNER 2011/07/13 APPR:CBURGER 2011/07/20 | QUALITY SYMBOLS | GENERAL TOLERANCES (UNLESS SPECIFIED) | | DIMENSION STYLE IN/MM | SCALE 5:1 | DESIGN UNITS INCH | THIRD ANGLE PROJECTION | | |
| | | 4 PLACES ± --- ± --- 3 PLACES ± --- ± --- 2 PLACES ± --- ± .01 1 PLACE ± 0.3 ± --- | mm INCH ± --- ± --- ± --- ± .01 ± --- ± --- | DRAWN BY BWOODMAN | DATE 18/08/09 | TITLE CSE M8 XP MA FE STR PUR PVC UN | | | |
| | | ANGULAR ±1/2° | | CHECKED BY RSTONE | DATE 18/08/09 | MOLEX INCORPORATED | | | |
| | | DRAFT WHERE APPLICABLE MUST REMAIN WITHIN DIMENSIONS | | APPROVED BY JFMURPHY | DATE 18/08/09 | MATERIAL NO. SEE CHART | DOCUMENT NO. SD-120028-001 | SHEET NO. 3 OF 3 | |