

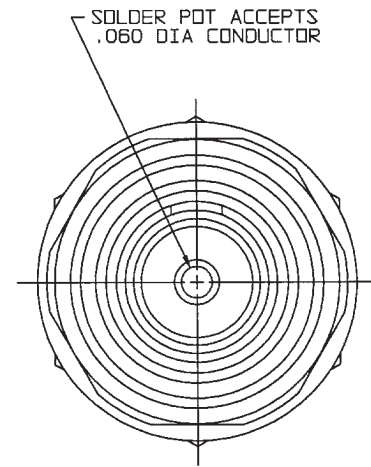
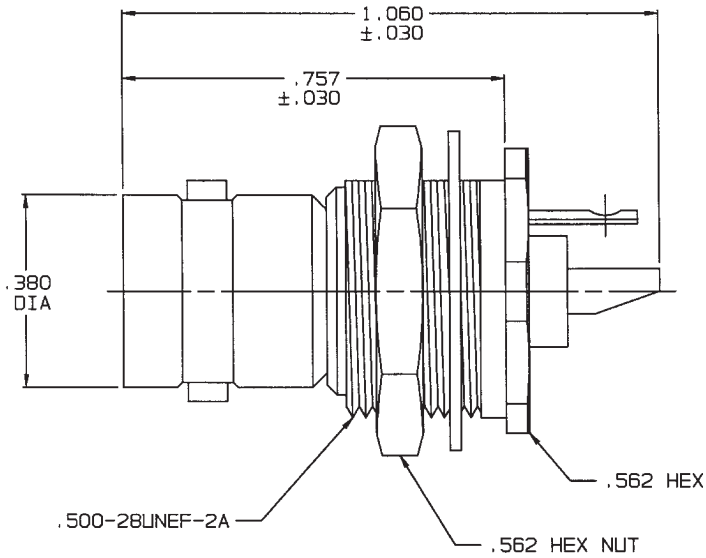
RED INDICATES ORIGINAL

DATA CONTAINED IN THIS DOCUMENT IS PROPRIETARY TO TROMPETER ELECTRONICS INC. AND SHALL NOT BE DISCLOSED, COPIED OR USED FOR PROCUREMENT OR MANUFACTURE WITHOUT EXPRESS WRITTEN PERMISSION.

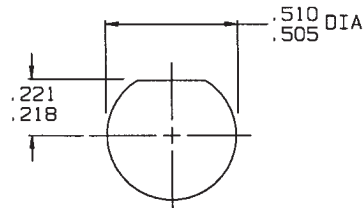
| REVISIONS | | | 1-0010 | SH 1C | |
|-----------|-------|---|--------|--------------------|---------|
| REV | ED | DESCRIPTION | DWN | APPROVED | DATE |
| D | 13257 | SH 2; ±.030 TOLERANCE REPLACES ±.003 ON .757 DIMENSION; SEE ECO | DKC | <i>[Signature]</i> | 2/18/00 |

| DASH NO | MODEL NO | IMPD OHMS |
|---------|----------|-----------|
| -1 | BJ21 | 50 |
| -2 | UBJ21 | 75 |

| INCH | MM |
|-------|-------|
| .005 | 0.13 |
| .030 | 0.76 |
| .060 | 1.52 |
| .147 | 3.73 |
| .218 | 5.54 |
| .221 | 5.61 |
| .380 | 9.65 |
| .505 | 12.83 |
| .510 | 12.95 |
| .562 | 14.27 |
| .757 | 19.23 |
| 1.060 | 26.92 |



-1 SHOWN



RECOMMENDED
PANEL CUTOUT
SCALE: 2/1

4. 50 & 75 OHM COAXIAL REAR MOUNT INSULATED 2-LLUG BNC TYPE SOLDER POT BULKHEAD RECEPTACLE
3. MAX PANEL THK: .147
2. FINISH: TFS-1A (NICKEL)
1. ALL DIM ARE IN INCHES

| QTY | DESCRIPTION | | PART NUMBER | ITEM |
|---|-------------|--------------|--------------|------------|
| TOL UNLESS SPECIFIED .XX ± .XXX ± .005 .XXXX ± ANGLES ± | | | BJ21 / UBJ21 | |
| DWN DKC 2-3-00 | | | MATERIAL | CODE IDENT |
| CHK <i>[Signature]</i> 2/18/00 | | 14949 | 1-0010 | D |
| ENGR <i>[Signature]</i> | SCALE 4/1 | DATE 5-12-82 | SHEET | 1C |
| APPR <i>[Signature]</i> 2/18/00 | NEXT ASSY | | | |