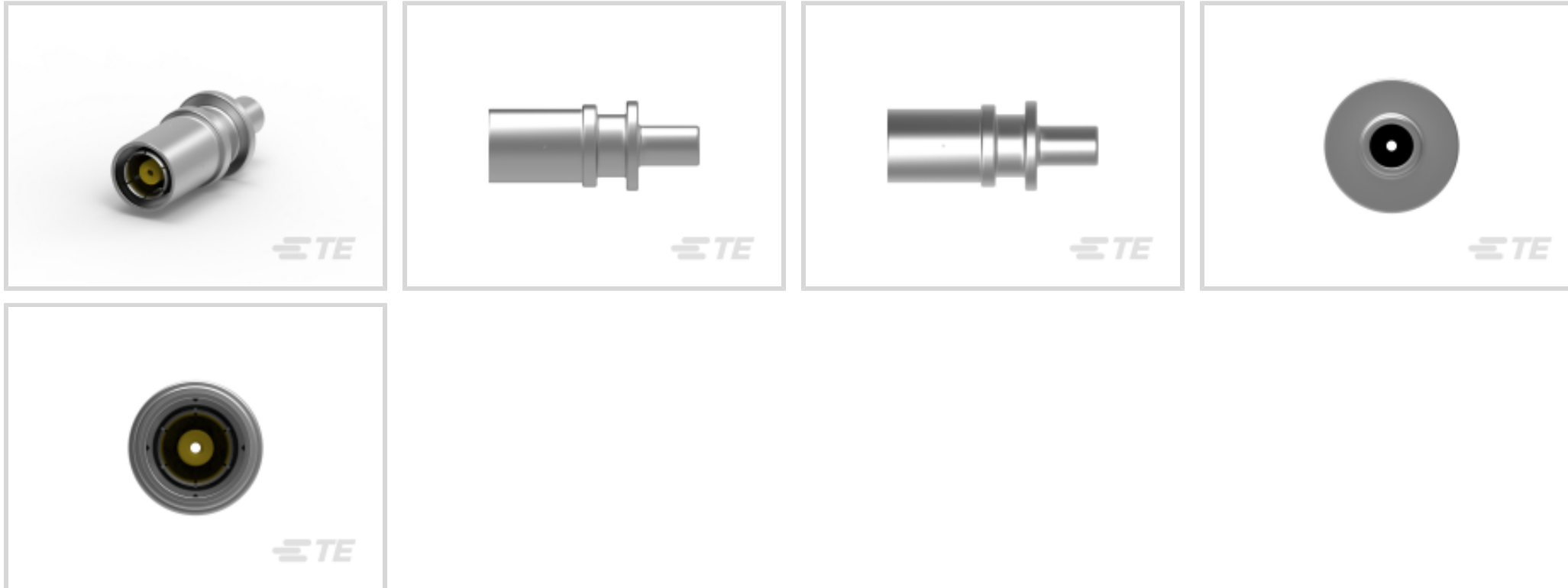




Automotive Parts > Automotive Connector Accessories > Other Automotive Connector Accessories



Automotive Connector Accessory Type: **Terminal**

Operating Temperature Range: **-40 – 85 °C [-40 – 185 °F]**

Features

Product Type Features

Automotive Connector Accessory Type	Terminal
-------------------------------------	----------

Usage Conditions

Operating Temperature Range	-40 – 85 °C[-40 – 185 °F]
-----------------------------	---------------------------

Industry Standards

Compatible With Agency/Standards Products	USCAR
---	-------

Packaging Features

Packaging Method	Bag & Box
Packaging Quantity	3000

Other

Serviceable	No
-------------	----

Product Compliance

[For compliance documentation, visit the product page on TE.com>](#)

EU RoHS Directive 2011/65/EU	Compliant
EU ELV Directive 2000/53/EC	Compliant
China RoHS 2 Directive MIIT Order No 32, 2016	有害物质含量符合标准要求 No Restricted Substance(s) Above Threshold

EU REACH Regulation (EC) No. 1907/2006

Current ECHA Candidate List: JUNE 2025 (250)

Candidate List Declared Against: JUNE 2025 (250)

Does not contain REACH SVHC

Halogen Content

BFR/CFR/PVC Free, but Br/Cl >900 ppm in other sources.

Solder Process Capability

Not reviewed for solder process capability

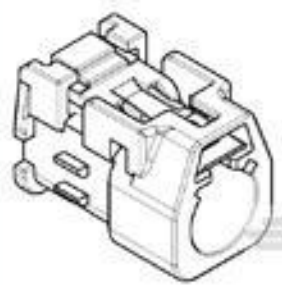
Product Compliance Disclaimer

This information is provided based on reasonable inquiry of our suppliers and represents our current actual knowledge based on the information they provided. This information is subject to change. The part numbers that TE has identified as EU RoHS compliant have a maximum concentration of 0.1% by weight in homogenous materials for lead, hexavalent chromium, mercury, PBB, PBDE, DBP, BBP, DEHP, DIBP, and 0.01% for cadmium, or qualify for an exemption to these limits as defined in the Annexes of Directive 2011/65/EU (RoHS2). Finished electrical and electronic equipment products will be CE marked as required by Directive 2011/65/EU. Components may not be CE marked. Additionally, the part numbers that TE has identified as EU ELV compliant have a maximum concentration of 0.1% by weight in homogenous materials for lead, hexavalent chromium, and mercury, and 0.01% for cadmium, or qualify for an exemption to these limits as defined in the Annexes of Directive 2000/53/EC (ELV). Regarding the REACH Regulation, the information TE provides on SVHC in articles for this part number is based on the latest European Chemicals Agency (ECHA) 'Guidance on requirements for substances in articles' posted at this URL: <https://echa.europa.eu/guidance-documents/guidance-on-reach>

Compatible Parts



TE Part # 5-1924856-1
Plug HOUSING, 2 POSN, FAKRA, Key A, clp



TE Part # 2138495-4
PLUG HOUSING, 1 POSITION, FAKRA, Key D



TE Part # 1-1438893-2
PLUG HOUSING, 1 POSITION, 180 DEGREE, FA



TE Part # 2362810-1
SDE CRIMP HAND TOOL FRAME W /O DIES



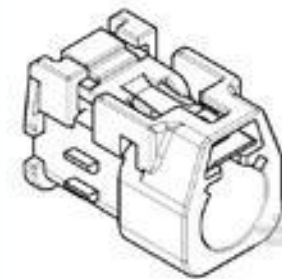
TE Part # 1924856-3
Plug HOUSING, 2 POSN, FAKRA, Key C



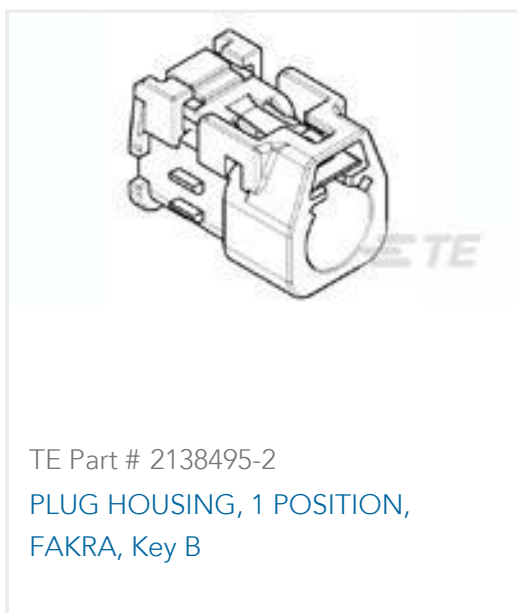
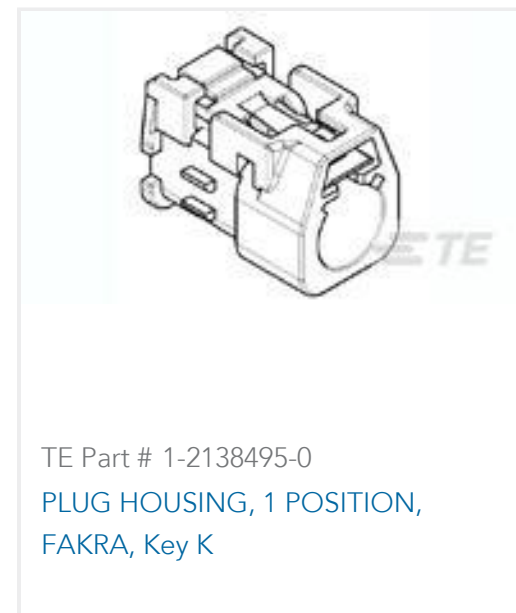
TE Part # 1924856-2
Plug HOUSING, 2 POSN, FAKRA, Key B



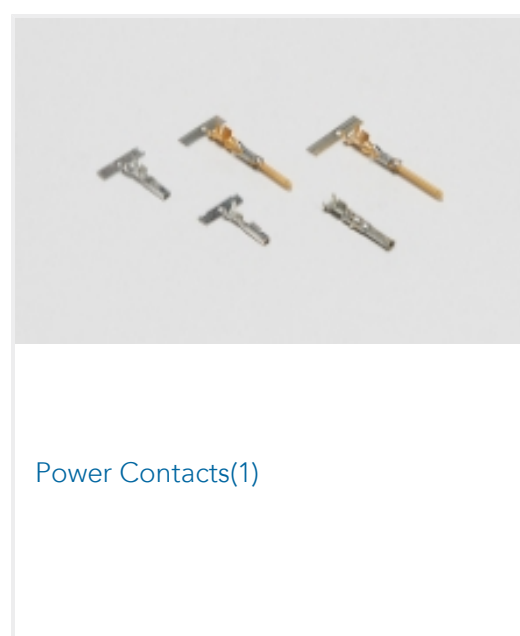
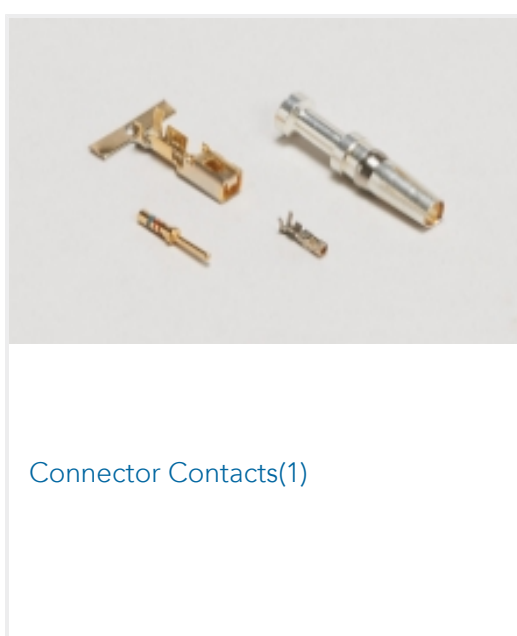
TE Part # 2138710-2
PLUG HOUSING, 1 POSITION, 180



TE Part # 2138495-3
PLUG HOUSING, 1 POSITION, FAKRA, Key C



Also in the Series | FAKRA



Customers Also Bought





Documents

Product Drawings

[Plug SUBASSEMBLY, RTK031, FAKR](#)

English

CAD Files

Customer View Model

[ENG_CVM_CVM_2098285-1_A.2d_dxf.zip](#)

English

[3D PDF](#)

3D

Customer View Model

[ENG_CVM_CVM_2098285-1_A.3d_igs.zip](#)

English

Customer View Model

[ENG_CVM_CVM_2098285-1_A.3d_stp.zip](#)

English

By downloading the CAD file I accept and agree to the [Terms and Conditions](#) of use.

Product Specifications

[Application Specification](#)

English