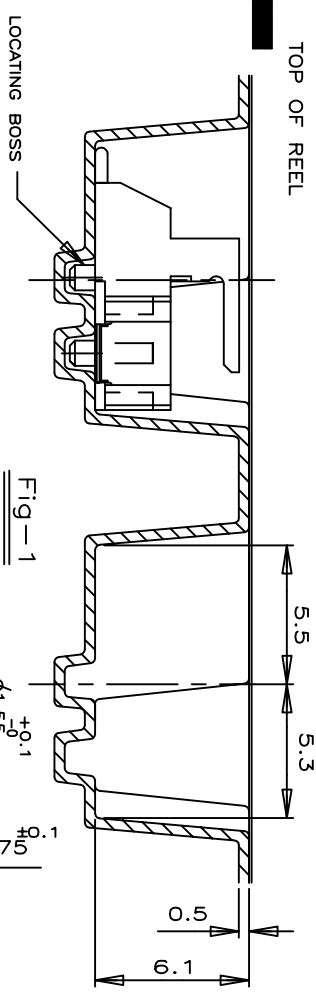
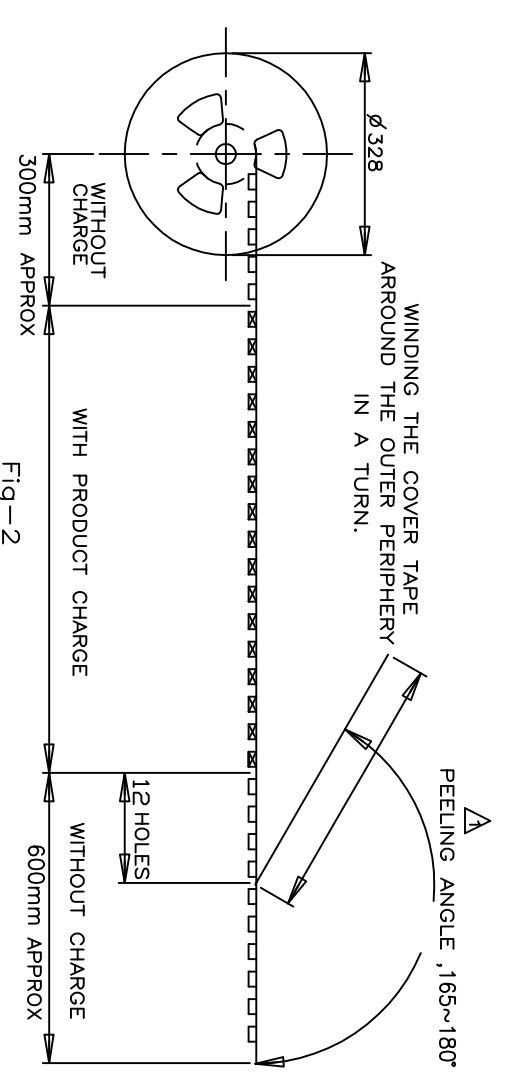
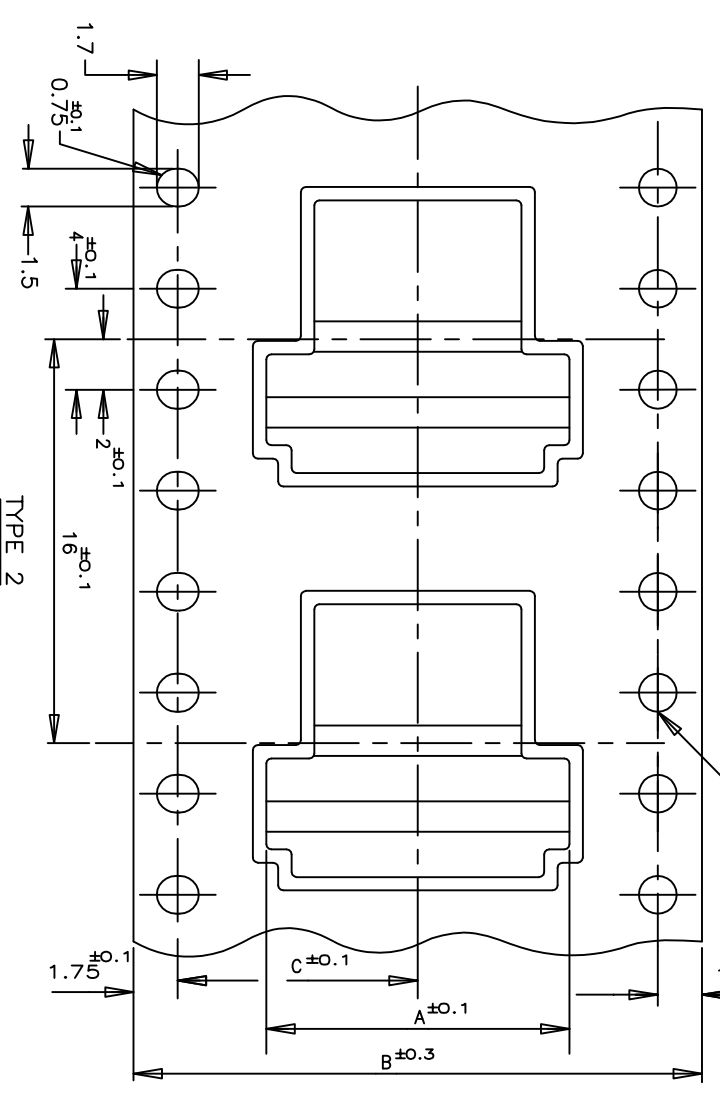
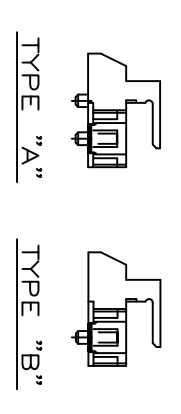


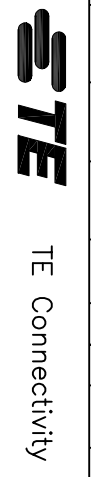
(AS SHOWN : 3P)



TYPE 3 FOR 7P ONLY  
THREE KINDS OF DIFFERENT POCKETS AS 1 SET  
USED FOR 7P ONLY



COLOR		NATURAL												BLACK											
WITH	PLATE	TYPE 1	TYPE 2	TYPE 3	TYPE 2	TYPE 3	TYPE 2	TYPE 3	TYPE 2	TYPE 3	TYPE 2	TYPE 3	TYPE 2	TYPE 3	TYPE 2	TYPE 3	TYPE 2	TYPE 3							
		A	B	B	B	B	B	B	B	B	B	B	B	B	B	B	B	B							
		11.5	24	10	20.2	44	24	20.2	44	24	20.2	44	24	20.2	44	24	20.2	44							
		2	2	1	9	9	2	8	8	7	8	8	7	8	8	7	8	8							
		1	1	1	0	0	1	0	0	0	0	0	0	0	0	0	0	0							
		0-292173-2	0-292173-2	0-292173-2	0-292173-2	0-292173-2	0-292173-2	0-292173-2	0-292173-2	0-292173-2	0-292173-2	0-292173-2	0-292173-2	0-292173-2	0-292173-2	0-292173-2	0-292173-2	0-292173-2							



ON TAPING (EMBOSS)  
TE CT CONNECTOR POST HEADER ASS'Y  
(BOX-H SMT TYPE W/BOSS & TAIL)

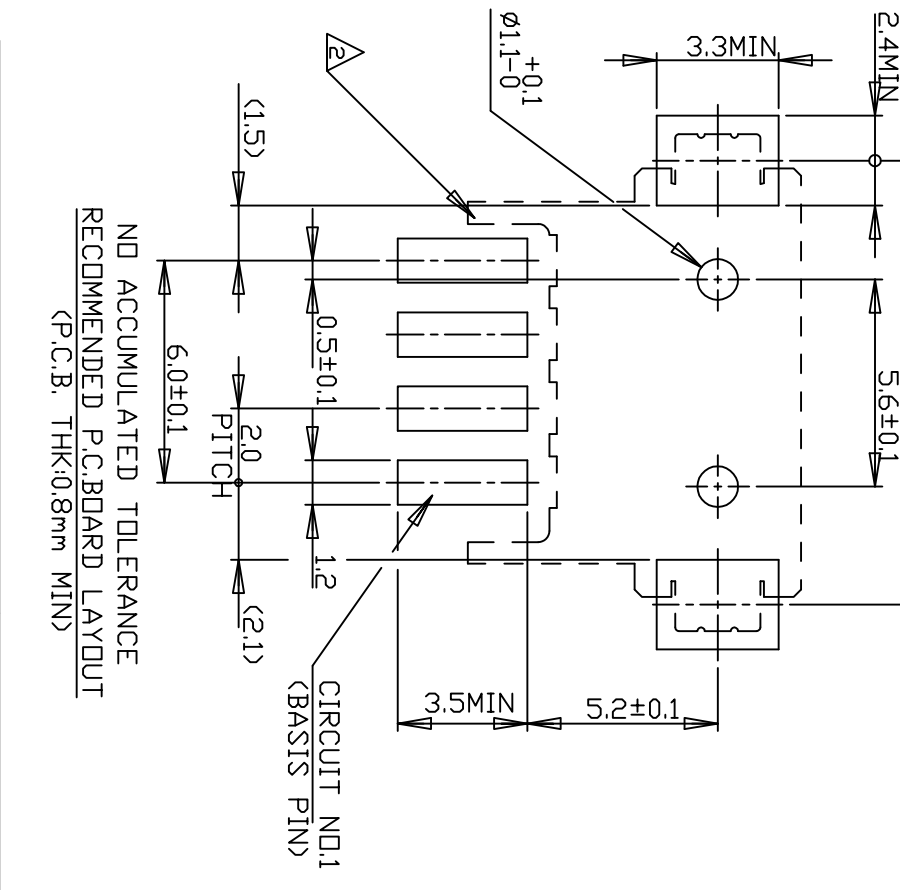
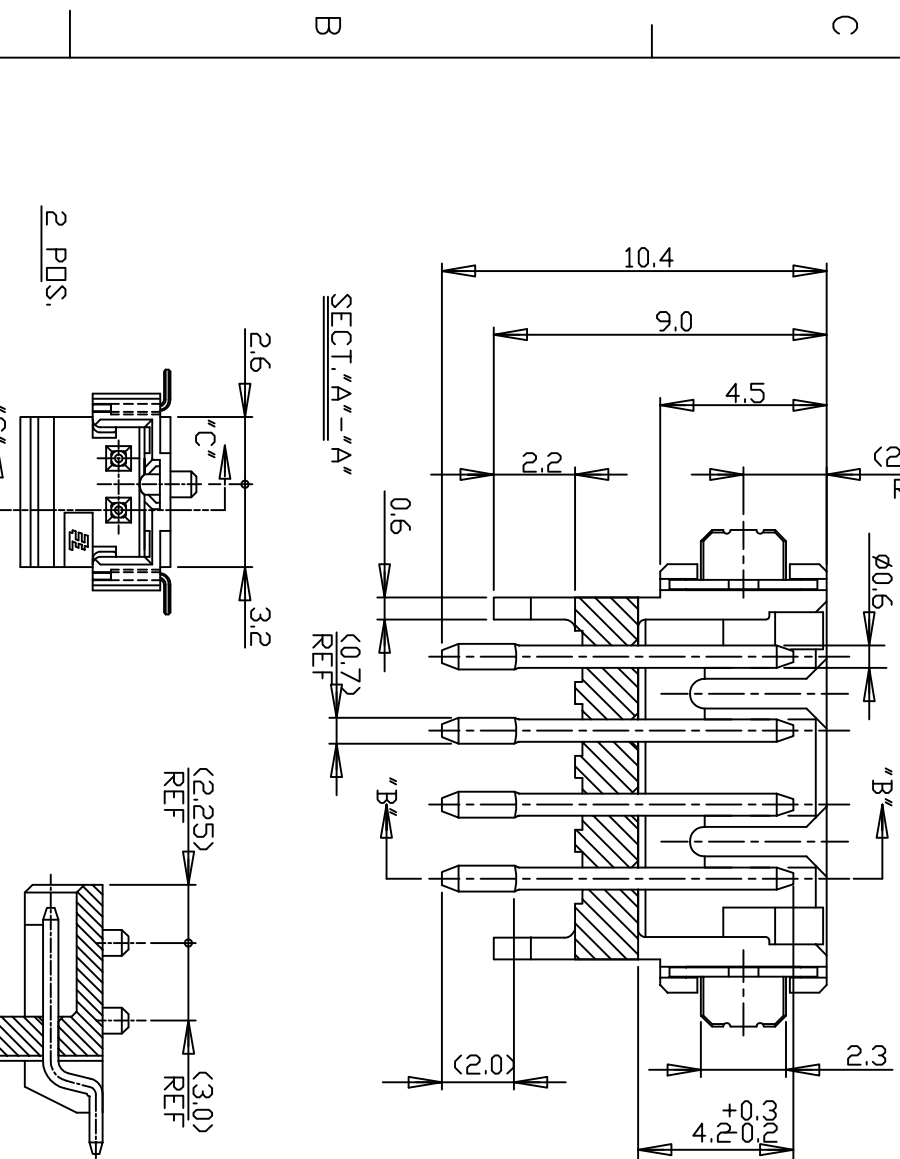
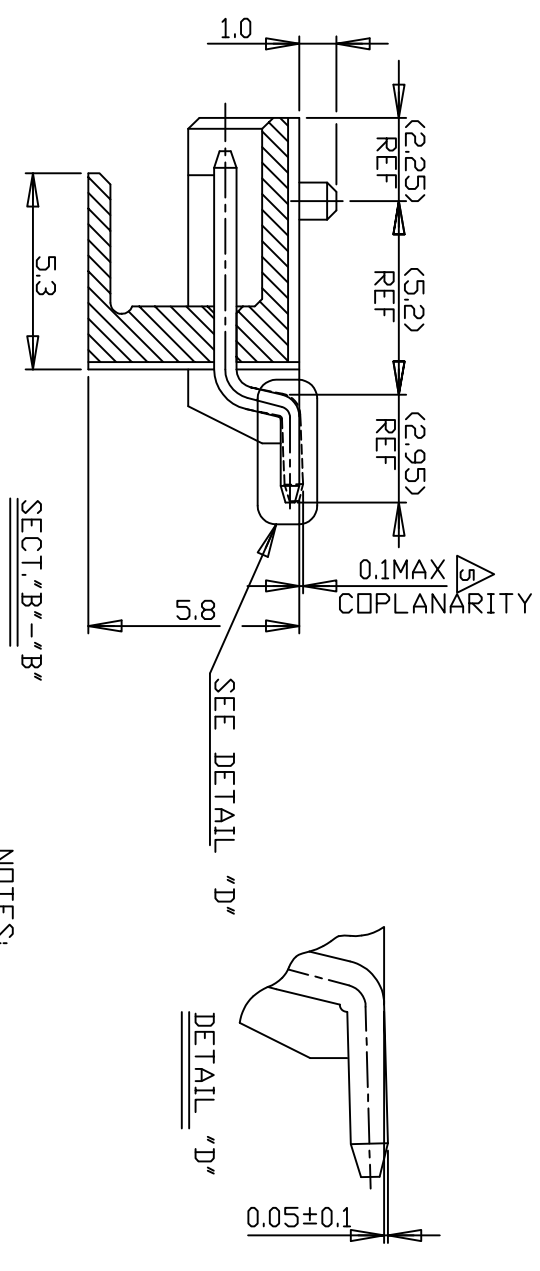
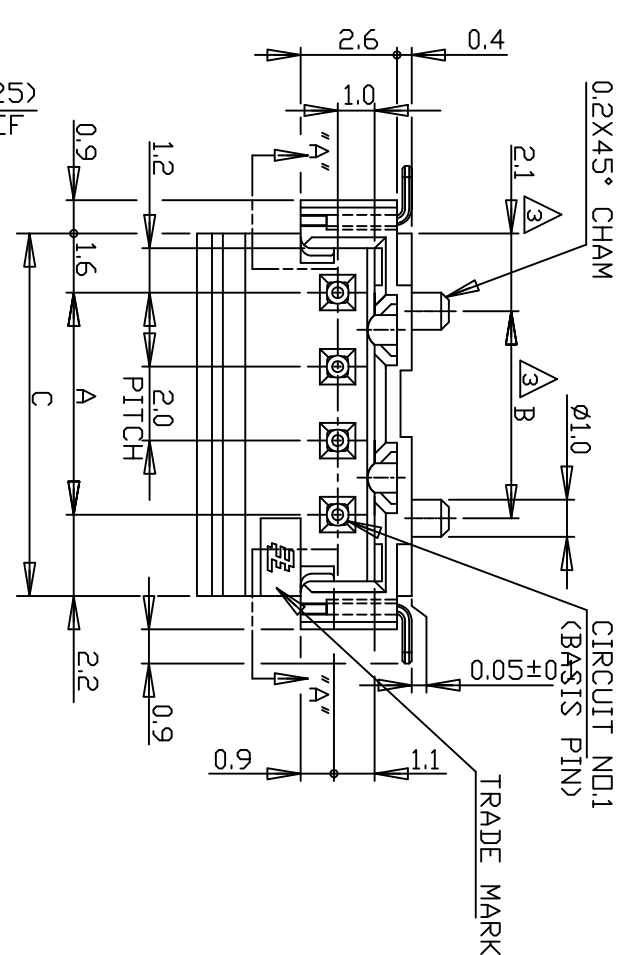
APVD: STEVEN YAO		DWN: JACK HOU		NAME: ON TAPING (EMBOSS)	
CHK: MARTIN LI		DWN: 21SEP10		TE CT CONNECTOR POST HEADER ASS'Y	
PRODUCT SPEC: STEVEN YAO		21SEP10		(BOX-H SMT TYPE W/BOSS & TAIL)	
APPLICATION SPEC		21SEP10		DRAWING NO: 292173	
WEIGHT		21SEP10		SCALE: 1/1	
CUSTOMER DRAWING		21SEP10		SHEET: 1 OF 6	
SIZE: A3		21SEP10		REV: C3	
CAGE CODE: 00779		21SEP10		RESTRICTED TO	
DRAWING NO: 292173		21SEP10			

TOLERANCE UNLESS OTHERWISE SPECIFIED:		
10>*	:±0.2	
30>*~>10	:±0.25	
100>*~>30	:±0.3	
ANGLE	:±3°	

NOTES:  
PEELING RESISTANCE : 0.196N-0.686N (20gf-70gf)  
SPEED : 300mm/min

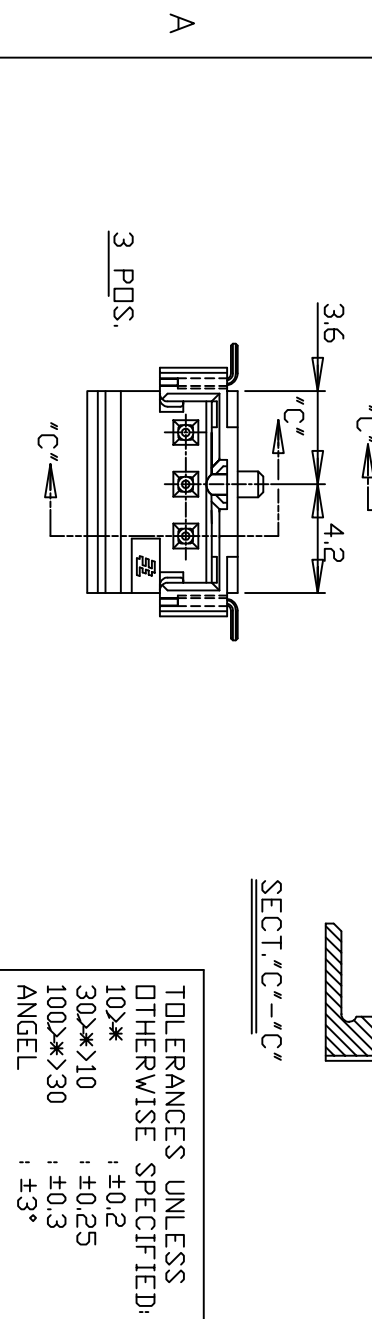


REVIEWS		REVISIONS	
Loc	DIST	DESCRIPTION	DATE
ES	00	SEE SHEET 1	-



A	B	C	D	POS.	NATURAL	BLACK
16.0	15.6	19.8	22.0	9	1-292173-9	292173-9
14.0	13.6	17.8	20.0	8	1-8	1-8
12.0	11.6	15.8	18.0	7	1-7	1-7
10.0	9.6	13.8	16.0	6	1-6	1-6
8.0	7.6	11.8	14.0	5	1-5	1-5
6.0	5.6	9.8	11.8	4	1-4	1-4
4.0	4.0	7.8	9.8	3	1-3	1-3
2.0	2.0	5.8	7.8	2	1-292173-2	292173-2

- NOTES:
- MATERIAL: HSG-6T PKG. F.30% XUL94V-0) COLOR: BLACK, NATURAL POST: TIN BRASS TAIL: TIN BRASS 4P&ABOVE POS. 2P&3P TO BE MEASURED WITH CONNECTOR PLACED ON HORIZONTAL DATUM SURFACE, FLAT OF SOLDER TINE AND TAIL FROM DATUM SURFACE IS 0.1mm MAX



THIS DRAWING IS A CONTROLLED DOCUMENT.

DIMENSIONS:	TOLERANCES UNLESS OTHERWISE SPECIFIED:	FINISH	APVD	CHK	DMN
MM	±0.25 ±0.2 ±0.3 ±0.3	0 PLC 1 PLC 2 PLC 3 PLC 4 PRC ANGLES	108-60016	108-60016	108-60016

PRODUCT SPEC: 108-60016  
APPLICATION SPEC: 108-60016  
WEIGHT: -  
CUSTOMER DRAWING: -

**STE** TE Connectivity  
SMT TYPE POST HDR ASS'Y (H)  
WITH BOSS & TAIL TYPE  
(TE CT CONN. 2mm PITCH)

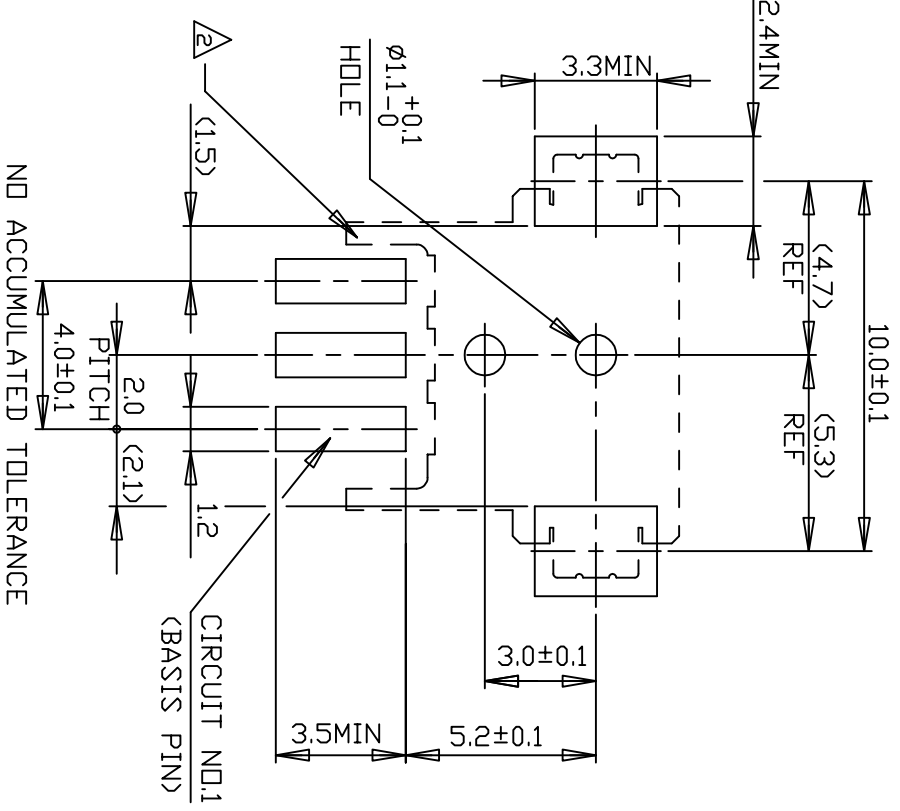
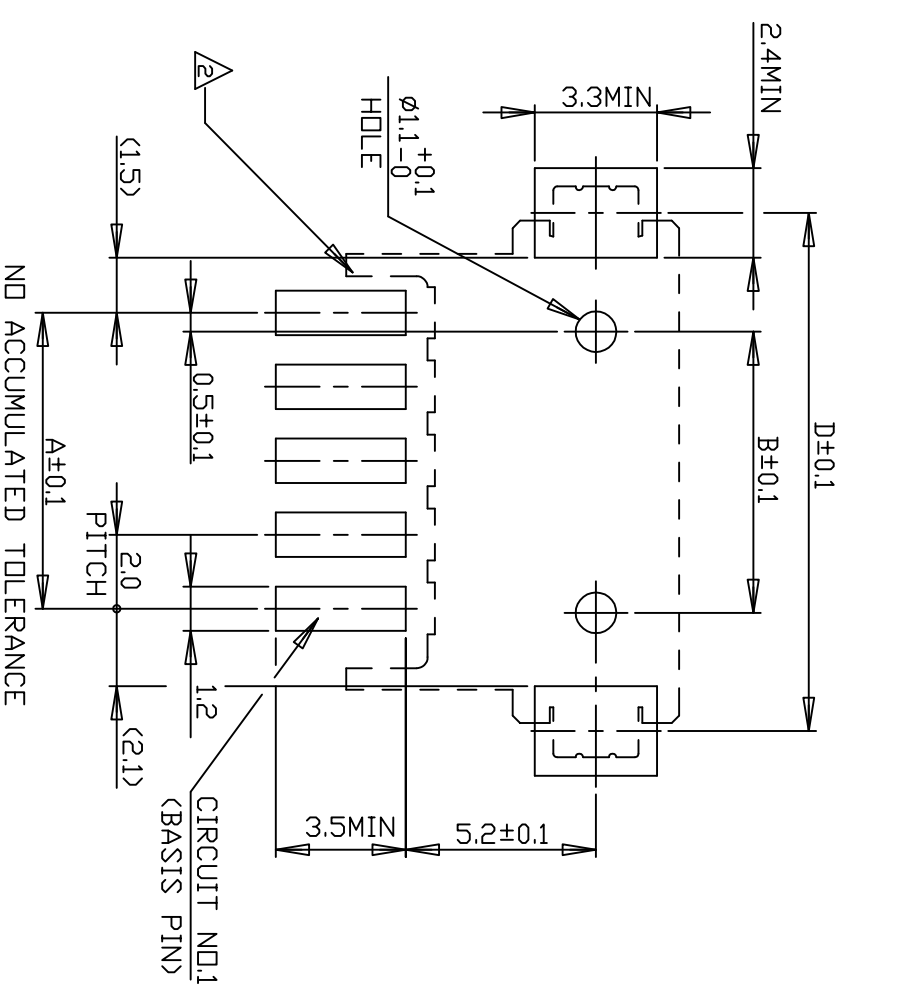
NAME	SIZE	CAGE CODE	DRAWING NO	RESTRICTED TO
A3	00779	292173	292173	

SCALE: 5:1 SHEET: 3 OF 6 REV: C3

P	LTR	DESCRIPTION	DATE	DWN	APVD
-	-	SEE SHEET 1	-	-	-

REVISIONS		DATE	DWN	APVD

LAYOUT FOR 292173-X,1-292173-X



5 POS. & ABOVE POS.

3 POS.

2 POS.

RECOMMENDED P.C. BOARD LAYOUT  
 (P.C.B THK:0.8mm MIN)

THIS DRAWING IS A CONTROLLED DOCUMENT.



TE Connectivity

SMT TYPE POST HDR ASS'Y (H)  
 WITH BOSS & TAIL TYPE  
 (TE CT CONN. 2mm PITCH)

DIMENSIONS:		TOLERANCES UNLESS OTHERWISE SPECIFIED:	
MM		0 PLC	±
		1 PLC	±
		2 PLC	±
		3 PLC	±
		4. PRC	±
		ANGLES	±
		FINISH	±

DMN	CHK	APVD	NAME	SIZE	CAGE CODE	DRAWING NO	RESTRICTED TO
-	-	-	A3	00779	292173		

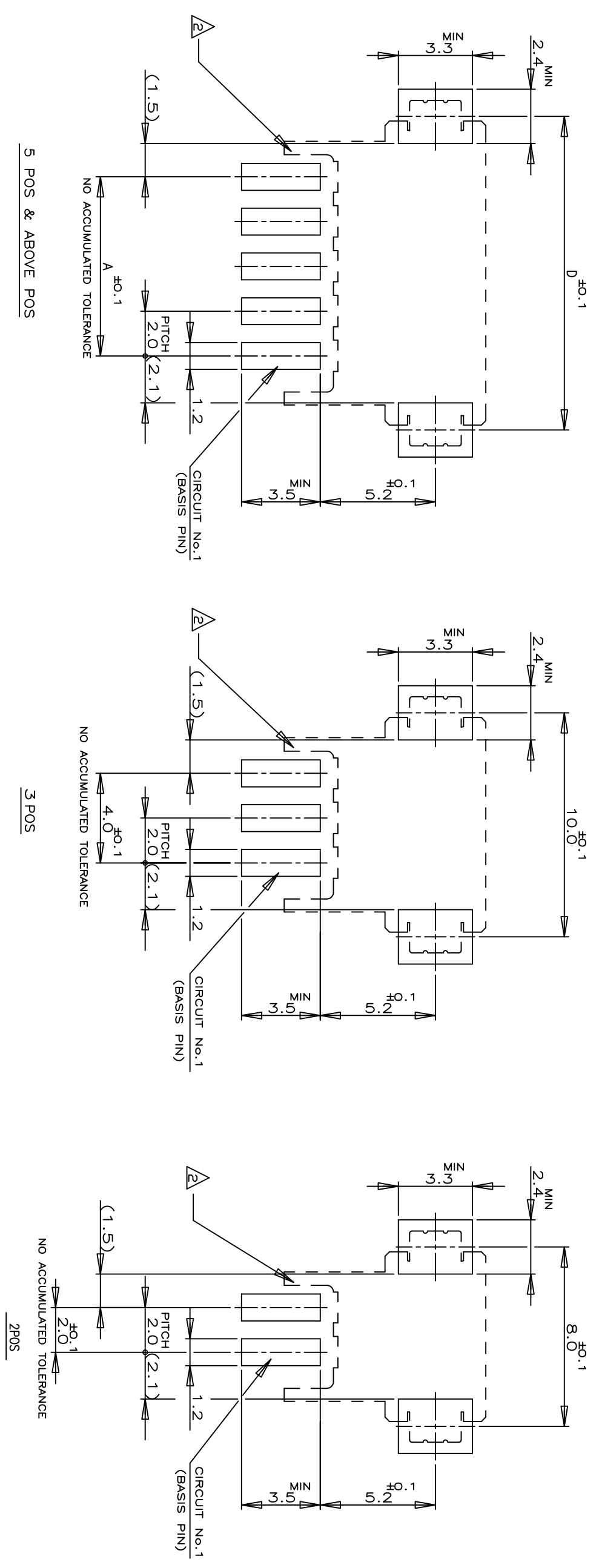
CUSTOMER DRAWING

SCALE 5:1 SHEET 4 OF 6 REV C3



Loc	DIST	P	LTR	DESCRIPTION	DATE	DWN	APVD
ES	00	-	-	SEE SHEET 1	-	-	-

LAYOUT FOR 2-292173-X,3-2-292173-X



RECOMMENDED P.C.BOARD LAYOUT  
(P.C.B THK:0.8mm MIN)

THIS DRAWING IS A CONTROLLED DOCUMENT.

DIMENSIONS: MM	TOLERANCES UNLESS OTHERWISE SPECIFIED:	DMN	NAME
0 PLC	±	CHK	<b>STE</b> TE Connectivity
1 PLC	±	APVD	SMT TYPE POST HDR ASS'Y (H)
2 PLC	±	PRODUCT SPEC	W/O, WITH TAIL TYPE
3 PLC	±	APPLICATION SPEC	(TE CT CONN. 2mm PITCH)
4 P.C.B ANGLES	±	WEIGHT	SIZE A3
FINISH	±	CUSTOMER DRAWING	CAGE CODE 00779
			DRAWING NO G-292173

SCALE 5:1 SHEET 6 OF 6 REV C3