



Quality Products. Service Excellence.

Current Transformer Indoor Toroidal CT Series

Features



- Toroidal design.
- Supplied with 24" insulated secondary leads, terminated with crimped ring connectors.
- Suitable for use with bare (uninsulated) primary conductor in circuits up to 600 V (4 KV H pot); or at higher voltages when a suitably insulated conductor is used.
- All units have 5 A secondary for use with standard AC ammeters with 5 A movements.
- Two hole mounting bracket on all models.
- UL E227616 volume #1 file number X0DW2

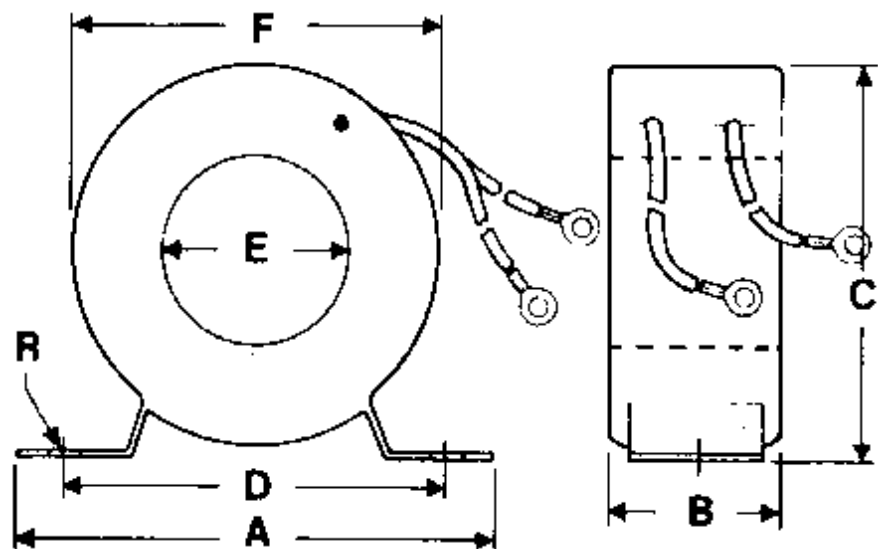
Application Data

To obtain current measurement:

1. Pass the wire carrying the current to be measured through the window of the CT transformer (acting as a primary winding).
2. Connect the CT secondary to an ammeter with a 5 A movement.

For higher accuracy or higher VA burden rating:

1. Choose a CT with a primary which is a multiple of the required primary rating and which has the accuracy or VA burden you require.
2. Loop the wire carrying the current to be measured through the window a number of times equal to the multiple. This "winding" will reduce the ratio back to required primary rating.
 - Example "A": To obtain an accuracy of 1.2% at 10VA burden with a ratio of 100:5, use a CT400 and loop 4 primary turns through the window.
 - Example "B": To obtain a 25:5 ratio, use a CT75 with 3 primary turns to yield 2% accuracy or a CT50 with 2 primary turns to yield 3.2% accuracy.



Part No.	Current Ratio	Accuracy	Burden	Overall Dimensions						Mounting Slots		Ship Wt.
	Pri. / Sec.	%	VA	A	B	C	D	E	F	G	H	Lb.
CT50A	50:5	3.2	2	3.75	1.75	3.25	3.00	0.87	2.87	0.22	0.37	1.3
CT60A	60:5	2.4	2	3.75	1.75	3.25	3.00	0.87	2.87	0.22	0.37	1.4
CT75A	75:5	2	2	3.75	1.75	3.25	3.00	0.87	2.87	0.22	0.37	1.5
CT100A	100:5	2	2	3.75	1.75	3.25	3.00	1.20	2.87	0.22	0.37	1.1
CT150A	150:5	1.2	2	3.75	1.75	3.25	3.00	1.20	2.87	0.22	0.37	1.4
CT200A	200:5	1.2	2	4.75	1.75	4.25	4.00	2.20	3.87	0.22	0.37	1.7
CT250A	250:5	0.6 - 1.2	2 - 5	4.75	1.75	4.25	4.00	2.20	3.87	0.22	0.37	1.7
CT300A	300:5	0.6 - 1.2	2 - 10	4.75	1.75	4.25	4.00	2.20	3.87	0.22	0.37	1.8
CT400A	400:5	0.6 - 1.2	2 - 10	4.75	1.75	4.25	4.00	2.20	3.87	0.22	0.37	1.8
CT500A	500:5	0.3 - 1.2	2 - 20	4.75	1.75	4.25	4.00	2.20	3.87	0.22	0.37	1.8
CT600A	600:5	0.3 - 1.2	2 - 20	6.00	1.75	5.25	5.25	3.50	5.12	0.28	0.37	2.5
CT800A	800:5	0.3 - 1.2	5 - 50	6.00	1.75	5.25	5.25	3.50	5.12	0.28	0.37	2.8
CT1000A	1000:5	0.3 - 1.2	5 - 50	7.00	1.75	6.25	6.25	4.50	6.12	0.28	0.37	3.3
CT1200A	1200:5	0.3 - 1.2	10 - 50	8.00	1.75	7.75	7.25	5.50	7.12	0.28	0.37	3.8

Tags: **instrument transformer, toroid, toroidal, current, burden, bracket mount**

Data subject to change without notice

© 2026. Hammond Manufacturing Ltd. All rights reserved.