



# PANEL MOUNT INDICATOR

CATALOG

# Table of contents

<a href="#">About Us .....</a>	<a href="#">4</a>
<a href="#">Product Overview.....</a>	<a href="#">5</a>

## **PANEL MOUNT INDICATORS**

<a href="#">249 Series / Front or Rear Panel Mount Indicators .....</a>	<a href="#">7</a>
<a href="#">556 Series / Class 1, Division 2 Panel Mount Indicators .....</a>	<a href="#">9</a>
<a href="#">556 Series / Daylight Viewable Panel Mount Indicators .....</a>	<a href="#">12</a>
<a href="#">556 Series / Daylight Viewable Panel Mount Indicators / Constant Intensity, 18–48 V DC .....</a>	<a href="#">14</a>
<a href="#">556 Series / Standard Panel Mount Indicators.....</a>	<a href="#">16</a>
<a href="#">556 Series / Standard Panel Mount Indicators / Constant Intensity, 18–48 V DC .....</a>	<a href="#">19</a>
<a href="#">556 Series / UV Certified Indicators .....</a>	<a href="#">21</a>
<a href="#">557 Series / Daylight Viewable Panel Mount Indicators .....</a>	<a href="#">23</a>
<a href="#">558 Series / Snap-In LED / .156" (3.96 mm) Mounting Hole.....</a>	<a href="#">25</a>
<a href="#">559 Series / Rectangle Snap-In LED / 0.216 x 0.139" (5.49 x 3.53mm) Mounting Hole.....</a>	<a href="#">28</a>
<a href="#">559 Series / Snap-In LED / .250" (6.35 mm) Mounting Hole .....</a>	<a href="#">30</a>
<a href="#">605 Series / 5mm Panel Mount Indicators .....</a>	<a href="#">33</a>
<a href="#">606 Series / 6mm Panel Mount Indicators .....</a>	<a href="#">35</a>
<a href="#">606 Series / 6mm Expanded Temperature Range Panel Mount Indicators .....</a>	<a href="#">37</a>
<a href="#">607 Series / 7mm Panel Mount Indicators.....</a>	<a href="#">39</a>
<a href="#">608 Series / 8mm Panel Mount Indicators .....</a>	<a href="#">42</a>
<a href="#">609 Series / 9mm Panel Mount Indicators .....</a>	<a href="#">44</a>
<a href="#">612 Series / 12mm Panel Mount Indicators .....</a>	<a href="#">46</a>
<a href="#">620 Series / 8mm Heavy Duty Panel Mount Indicators.....</a>	<a href="#">48</a>
<a href="#">620 Series / 8mm Heavy Duty Bi- and Tri-Color Panel Mount Indicators.....</a>	<a href="#">50</a>
<a href="#">621 Series / 22mm Heavy Duty Tri-Color Panel Mount Indicators.....</a>	<a href="#">52</a>
<a href="#">622 Series / 22mm Heavy Duty Panel Mount Indicators.....</a>	<a href="#">54</a>
<a href="#">623 Series / 30mm Heavy Duty Panel Mount Indicators.....</a>	<a href="#">56</a>
<a href="#">624 Series / 12mm Heavy Duty Tri-Color Panel Mount Indicators.....</a>	<a href="#">58</a>
<a href="#">625 Series / 16mm Heavy Duty Tri-Color Panel Mount Indicators.....</a>	<a href="#">60</a>
<a href="#">630 Series / 30mm Panel Mount Indicators .....</a>	<a href="#">62</a>
<a href="#">653 Series / Snap-In Panel Mount Indicators.....</a>	<a href="#">64</a>
<a href="#">654 Series / Snap-In Panel Mount Indicators.....</a>	<a href="#">66</a>
<a href="#">655 Series / 1/2" Snap-In Panel Mount Indicators .....</a>	<a href="#">68</a>
<a href="#">656 Series / High Intensity LED Panel Mount Indicators.....</a>	<a href="#">70</a>
<a href="#">657 Series / Bi- and Tri-Color Watertight Series Panel Mount Indicators.....</a>	<a href="#">74</a>
<a href="#">657 Series / Watertight Series Panel Mount Indicators.....</a>	<a href="#">76</a>
<a href="#">657 Series / Watertight Right Angle Panel Mount Indicators .....</a>	<a href="#">78</a>
<a href="#">658 Series / Watertight Series Panel Mount Indicators.....</a>	<a href="#">80</a>
<a href="#">659 Series / Watertight Series Panel Mount Indicators.....</a>	<a href="#">82</a>
<a href="#">675 Series / 5mm High Intensity Panel Mount Indicators.....</a>	<a href="#">84</a>
<a href="#">676 Series / 6mm High Intensity Panel Mount Indicators.....</a>	<a href="#">86</a>
<a href="#">677 Series / 7mm High Intensity Panel Mount Indicators.....</a>	<a href="#">88</a>
<a href="#">678 Series / 8mm High Intensity Panel Mount Indicators .....</a>	<a href="#">91</a>
<a href="#">679 Series / 9mm High Intensity Panel Mount Indicators .....</a>	<a href="#">93</a>
<a href="#">682 Series / 12mm High Intensity Panel Mount Indicators.....</a>	<a href="#">95</a>

**INDICATOR BASES**

[271 Series / Indicator Base..... 97](#)  
[359 Series / Indicator Base..... 99](#)  
[362 Series / Indicator Base..... 102](#)  
[367 Series / Indicator Base..... 104](#)  
[373 Series / Indicator Base..... 106](#)  
[377 Series / Indicator Base..... 109](#)  
[378 Series / Indicator Base..... 111](#)

**LENS CAPS**

[081 Series / Jewel Lens Cap..... 113](#)

**LED BULBS**

[585 Series / Cluster Based LED / T3 1/4 Miniature Bayonet \(BA9s\)..... 115](#)  
[585 Series / Multi-Chip Based LED / T1 3/4 Midget Flange..... 117](#)  
[586 Series / Daylight Viewable Cluster Based LED / T3 1/4 Miniature Bayonet \(BA9s\)..... 119](#)  
[586 Series / Multi-Chip Based LED / T3 1/4 Miniature Bayonet \(BA9s\)..... 121](#)  
[586 Series / Single Chip Based LED / T1 3/4 Midget Flange ..... 123](#)  
  
[Military Cross-Reference .....125](#)  
[Certifications.....127](#)  
[Literature Library / Technical Information Center ..... 128](#)  
[OE Product Showcase..... 129](#)



## About us

Dialight is a market leader within the LED indication and signals communities, with millions of products used in most markets throughout the world. Our story began in 1938 in Brooklyn, NY, producing panel indication components for military aircraft and industrial applications. In 1971, shortly following the inception of the LED, we launched our first LED component product. In 1995 came our introduction of the first LED vehicle light and traffic signals in North America, followed by the first ever hazardous location certified LED lighting system. We have continued to revolutionize the use of LEDs to provide superior indication products, vehicle lights, traffic signals as well as lighting for structural towers and industrial work sites around the world.

Dialight Signals & Components continues the development specifically in the area of optoelectronic components, traffic, vehicle and rail lighting products. We boast a first rate team of engineers with a knowledge base that provides the best in technology development and superior product functionality and durability. We remain the industry authority in LED board level through hole and surface mount indication, with an exceptional range of the revolutionary PRISM® SMDs and OPTOPIPE® Light Pipes. Having expanded LED technology into our legendary panel mount line and based LED bulbs, Dialight offers the widest range and most reliability of indicator products. It is our commitment to our customers to continue to provide these reliable, high quality LED products, with best in class service and support, for decades to come.

We see a world transformed to be safer, more productive, and environmentally friendly through the use of LEDs. With the most options and the highest quality, it's not just a light; it's a Dialight.





## Discover Dialight's Industry-Leading LED Panel Mount Indicators

Dialight provides the widest selection of industry-leading LED panel mount indicators for any application or industry. Our indicators feature cutting-edge LED technology and are housed in rugged tamper-proof metal or plastic enclosures, ensuring unmatched durability and performance. Dialight's LED panel mount indicators deliver superior visibility and reliability, whether for industrial, commercial, or specialized applications.

### Why Choose Dialight LED Panel Mount Indicators?

- **Industry-Leading LED Technology:** Incorporates the latest LED innovations for superior visibility and lifetime.
- **Unmatched Durability:** Our indicators are housed in rugged tamper-proof metal or plastic enclosures, built to last with precision and quality.
- **Versatile Mounting Options:** Available in a range of mounting hole sizes from 0.156" to 1.18" (3.9mm to 30mm), including secure snap-in plastic or lock washer and nut metal housings.
- **Wide Voltage Range:** Supports operating voltages from 2-72 VDC and 125 to 230 VAC. Additionally, our variable voltage options cover ranges as large as 6-60VDC, enabling SKU reduction by allowing you to stock one versatile part.
- **Durability and Resilience:** Select models are watertight to NEMA 4X/IP66/67 standards, daylight viewable, and have C1D2 ratings.
  - **Certification and Compliance:** UL certified 556 & 656 series; RoHS compliant.
- **Extensive Variety:** Includes multiple series (249, 507, 556-559, 605-612, 620-623, 630, 653-658, and 675-682) with various lens styles, colors, and terminations.

### Typical Applications

- Medical
- Military/aviation
- Oil/gas/mining equipment
- Food processing
- Marine
- Wire and harness
- Power distribution
- Industrial control panels
- Test and measurement
- Traffic controls and rail applications
- Servers and storage
- Transportation
- Fan trays



### Energy-Efficient Based LED Bulbs for All Applications

Dialight's Energy-Efficient Based LED Bulbs are designed as direct replacements for traditional incandescent bulbs, offering longer lifetime and energy savings. These bulbs come in a variety of form factors including pin-based, wedge base, bi-pin, bayonet, and telephone slide.

#### FEATURES AND BENEFITS:

- **Energy Efficiency:** Durable, long-lasting LEDs reduce energy consumption.
- **Versatile Base Styles:** Compatible with T 1 3/4 Midget Flange, Wedge Base, Bi-Pin, T 3 1/4 Mini-Bayonet, Mini-Screw, T2 Telephone Slide, and 15mm Bayonet fixtures.
- **Wide Voltage Range:** Operates at 6, 14, and 28 VDC with options for 6-36 VDC multi-voltage and 125 VAC non-polarized versions.
- **Color Options:** Available in red, green, yellow, blue, and white.

### Military-Grade Relampable Indicators for Critical Environments

Dialight provides military-grade relampable indicators for mission-critical applications such as aircraft, ground vehicles, and shipboard systems. These indicators meet stringent military standards and offer features like press-to-test, dimmable lighting, and water-tight construction. As an approved manufacturer for the United States Military, we embody world-class manufacturing processes. The very same indicator lights that served the military back then are still in production today, ensuring an unmatched level of quality in today's fast-paced world.

#### FEATURES AND BENEFITS:

- **Military Grade:** Compliant with MIL-Spec and QPL listed, suitable for demanding environments.
- **Versatile Mounting:** Available in 15/32", 11/16", and 1" clearance holes with options for incandescent or neon lighting.
- **Durability and Functionality:** Features include water-tight and oil-tight construction, edge lighting, press-to-test, and dimmable semi or total blackout.
- **Commercial Options:** UL-recognized incandescent or neon indicators for various applications with a variety of lens styles.

Explore Dialight's comprehensive range of reliable and high-performance panel mount indicators and based LED bulbs, designed to enhance your systems' reliability, efficiency, and safety across all industries and applications.



## 249 SERIES Front or Rear Panel Mount Indicators

### MECHANICAL / SPECIFICATIONS

MOUNTING HOLE SIZE:  
0.375" (9.53 mm)

MAX PANEL THICKNESS:  
0.312" (7.92 mm)

MOUNTING TORQUE:  
8–10 in-lbs torque

VOLTAGE OPTIONS:  
3.6, 5, 10, 14, and 28VDC  
(no resistor required)

OPERATING TEMP:  
-55 °C to +71 °C (-67 °F to +159.8 °F)

STORAGE TEMP:  
-55 °C to +71 °C (-67 °F to +159.8 °F)

ELECTRICAL CONNECTION:  
Turret terminals for wire wrapping

HOUSING:  
Aluminum — Black Anodized

TERMINALS:  
Phosphor Bronze — Fused Tin

KNURLED FLANGE NUT:  
Aluminum — Black Anodized

LOCK WASHER:  
Phosphor Bronze — White Nickel Plated

NUT:  
Brass — White Nickel Plated

### CERTIFICATIONS & RATINGS

RoHS compliant

### FEATURES & BENEFITS

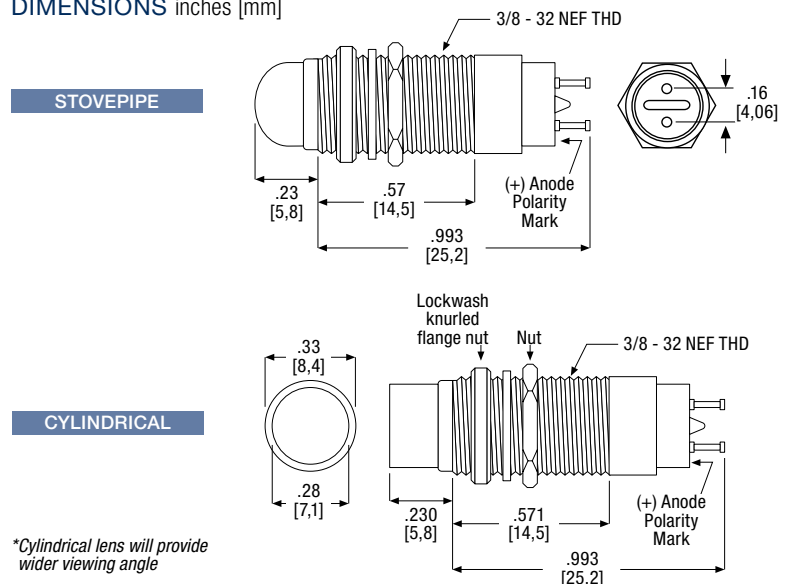
- For mounting in 3/8" clearance hole
- Complete package: light source, housing, and lens

### APPLICATION

Dialight's 249 series LED panel mount indicator is available with a variety of LED's including AllnGap and InGan technology for high brightness applications. These indicators are designed for a variety of applications such as:

- Main and remote power indication
- Status indication
- Maintenance and warning indication
- Instrumentation
- Process control

### DIMENSIONS inches [mm]



ORDERING INFORMATION

STOVEPIPE

Part Number	Color	Voltage (V DC)*	Current (mA)	Typical Intensity (mcd)	
<a href="#">249-4162-3734-504F</a>	Blue	3.5**	10	1500	
<a href="#">249-7867-3731-504F</a>	Red	3.6	20	170	
<a href="#">249-7967-3732-504F</a>	Green			100	
<a href="#">249-8067-3733-504F</a>	Yellow			150	
<a href="#">249-4164-3734-504F</a>	Blue			5	10
<a href="#">249-7868-3731-504F</a>	Red	170			
<a href="#">249-7968-3732-504F</a>	Green	100			
<a href="#">249-8068-3733-504F</a>	Yellow	150			
<a href="#">249-4166-3734-504F</a>	Blue	10	10	1500	
<a href="#">249-7870-3731-504F</a>	Red			20	170
<a href="#">249-8070-3733-504F</a>	Yellow				150
<a href="#">249-4167-3734-504F</a>	Blue	14	10	1500	
<a href="#">249-7871-3731-504F</a>	Red			20	170
<a href="#">249-7971-3732-504F</a>	Green				100
<a href="#">249-8071-3733-504F</a>	Yellow				150
<a href="#">249-7872-3731-504F</a>	Red	28	20		170
<a href="#">249-7972-3732-504F</a>	Green			100	
<a href="#">249-8072-3733-504F</a>	Yellow			150	

CYLINDRICAL

Part Number	Color	Voltage (V DC)*	Current (mA)	Typical Intensity (mcd)
<a href="#">249-7867-3331-504F</a>	Red	3.6	20	55
<a href="#">249-7967-3332-504F</a>	Green			40
<a href="#">249-8067-3333-504F</a>	Yellow			75
<a href="#">249-4164-3334-504F</a>	Blue	5	10	700
<a href="#">249-7868-3331-504F</a>	Red		20	55
<a href="#">249-7968-3332-504F</a>	Green			40
<a href="#">249-4166-3334-504F</a>	Blue	10	10	700
<a href="#">249-4167-3334-504F</a>	Blue	14	10	700
<a href="#">249-7871-3331-504F</a>	Red		20	55
<a href="#">249-7971-3332-504F</a>	Green			40
<a href="#">249-8071-3333-504F</a>	Yellow	75		
<a href="#">249-4168-3334-504F</a>	Blue	28	10	700
<a href="#">249-7872-3331-504F</a>	Red		20	55
<a href="#">249-7972-3332-504F</a>	Green			40
<a href="#">249-8072-3333-504F</a>	Yellow			75



Dialight reserves the right to make changes at any time in order to supply the best product possible. The most current version of this document will always be available at: [www.dialightsignalsandcomponents.com](http://www.dialightsignalsandcomponents.com)

Warranty Statement: Except for the warranty expressly provided for at: [www.dialight.com/resources/warranties/](http://www.dialight.com/resources/warranties/), Dialight disclaims any and all other warranties, express or implied, including, without limitation, any warranties of merchantability, fitness for a particular purpose, title, and noninfringement.



## 556 SERIES Class 1, Division 2 Panel Mount Indicators

### MECHANICAL / SPECIFICATIONS

MOUNTING HOLE SIZE:  
1.0" (25.4 mm)

MAX PANEL THICKNESS:  
Flat: 0.600" (15.24 mm)  
Dome: 0.187" (4.27 mm)

MOUNTING TORQUE: 40 in-lbs

VOLTAGE OPTIONS:  
12 to 125 VDC, 125, 230 VAC and  
18-48 VDC Constant Intensity  
No external resistor required

OPERATING TEMP:  
-30 °C to +85 °C (-22 °F to +185 °F)

STORAGE TEMP:  
-40 °C to +100 °C (-40 °F to +212 °F)

ELECTRICAL CONNECTION: 6-32 screw terminals

HOUSING: Brass – White or Black Nickel Plated

TERMINALS: Brass – Hot solder dip  
per Mil-F-14072D, M258, Type II

LENS MATERIAL:  
Transparent Polycarbonate (UL 94V-0)

LOCK WASHER: Phosphor Bronze –  
White or Black Nickel Plated

NUT: Brass – White or Black Nickel Plated

### CERTIFICATIONS & RATINGS

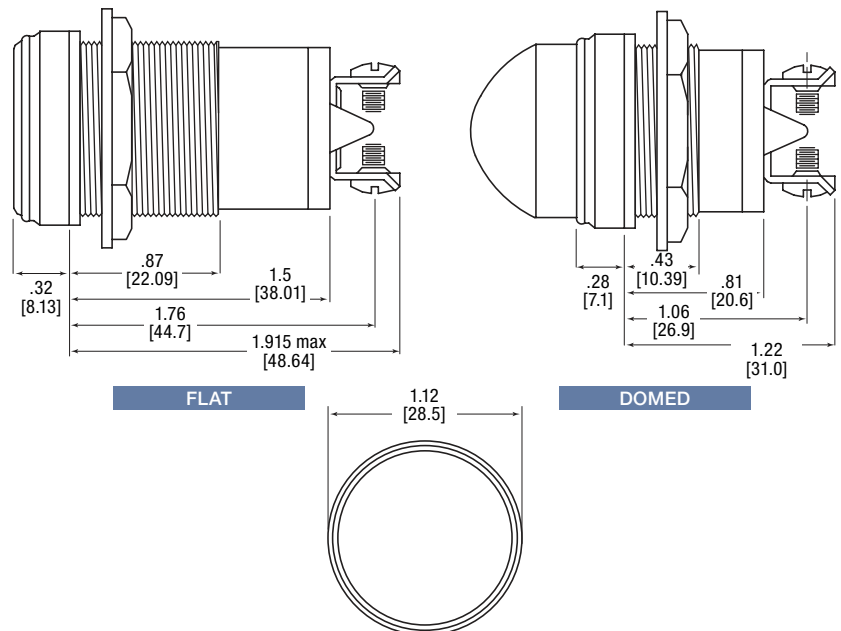
UL 508  
IP66  
NEMA 4X  
RoHS Compliant w/6C exemption  
IK07

### APPLICATION

This is a highly durable package, designed to withstand outdoor applications susceptible to rain, dust and sunlight. In addition, the Class 1, Division 2 rating allows for use in hazardous environments common to the oil and gas, mining, and chemical industries:

- Instrument panels
- Safety applications
- UL 508 panel applications
- Petrochemical applications
- Environmental monitoring equipment specifications
- Pump system controllers
- Mining application
- Oil refineries
- Agricultural controls
- Power generators

### DIMENSIONS inches [mm]



ORDERING INFORMATION

FLAT LENS

White Nickel	Black Nickel	Color	Voltage	Typ Current (mA)	Typical Intensity (mcd)
<a href="#">556-1003-324F</a>	<a href="#">556-1003-224F</a>	○ White	12 VDC	60	61,000
<a href="#">556-1503-324F</a>	<a href="#">556-1503-224F</a>	● Red		95	22,000
<a href="#">556-1603-324F</a>	<a href="#">556-1603-224F</a>	● Green		60	41,500
<a href="#">556-1683-324F</a>	<a href="#">556-1683-224F</a>	● Cyan		60	37,000
<a href="#">556-1703-324F</a>	<a href="#">556-1703-224F</a>	● Yellow		95	13,500
<a href="#">556-1803-324F</a>	<a href="#">556-1803-224F</a>	● Blue		60	13,000
<a href="#">556-1903-324F</a>	<a href="#">556-1903-224F</a>	● Orange		95	11,500
<a href="#">556-1004-324F</a>	<a href="#">556-1004-224F</a>	○ White	24 VDC	32	61,000
<a href="#">556-1504-324F</a>	<a href="#">556-1504-224F</a>	● Red		46	22,000
<a href="#">556-1604-324F</a>	<a href="#">556-1604-224F</a>	● Green		32	41,500
<a href="#">556-1684-324F</a>	<a href="#">556-1684-224F</a>	● Cyan		32	37,000
<a href="#">556-1704-324F</a>	<a href="#">556-1704-224F</a>	● Yellow		46	13,500
<a href="#">556-1804-324F</a>	<a href="#">556-1804-224F</a>	● Blue		32	13,000
<a href="#">556-1904-324F</a>	<a href="#">556-1904-224F</a>	● Orange		46	11,500
<a href="#">556-1508-324F</a>	<a href="#">556-1508-224F</a>	● Red	37.5 VDC	20	14,000
<a href="#">556-1608-324F</a>	<a href="#">556-1608-224F</a>	● Green		16	54,000
<a href="#">556-1708-324F</a>	<a href="#">556-1708-224F</a>	● Yellow		20	12,750
<a href="#">556-1006-324F</a>	<a href="#">556-1006-224F</a>	○ White	72 VDC	18.5	15,000
<a href="#">556-1506-324F</a>	<a href="#">556-1506-224F</a>	● Red		18.5	45,500
<a href="#">556-1606-324F</a>	<a href="#">556-1606-224F</a>	● Green		16	9,000
<a href="#">556-1706-324F</a>	<a href="#">556-1706-224F</a>	● Yellow		20	15,000
<a href="#">556-1806-324F</a>	<a href="#">556-1806-224F</a>	● Blue		18.5	36,000
<a href="#">556-1007-324F</a>		○ White	125 VDC	10.5	8,000
<a href="#">556-1507-324F</a>		● Red		10	27,000
<a href="#">556-1607-324F</a>		● Green		10	5,750
<a href="#">556-1707-324F</a>		● Yellow	125 VAC	10	35,000
<a href="#">556-1005-324F</a>		○ White		11	8,000
<a href="#">556-1505-324F</a>		● Red		10.5	29,000
<a href="#">556-1605-324F</a>		● Green		9.5	24,750
<a href="#">556-1685-324F</a>		● Cyan		9.5	5,750
<a href="#">556-1705-324F</a>		● Yellow		10.5	7,750
<a href="#">556-1805-324F</a>		● Blue		9.5	6,000
<a href="#">556-1905-324F</a>		● Orange	10.5	35,000	
<a href="#">556-1009-324F</a>		○ White	230 VAC	6	8,000
<a href="#">556-1509-324F</a>		● Red		7	29,000
<a href="#">556-1609-324F</a>		● Green		7	5,750
<a href="#">556-1709-324F</a>		● Yellow		7	7,750
<a href="#">556-1809-324F</a>		● Blue		7	6,000
<a href="#">556-1909-324F</a>		● Orange	7	3100	
<a href="#">556-150A-324F</a>	<a href="#">556-150A-224F</a>	● Red	18-48 VDC	7.8	400
<a href="#">556-160A-324F</a>	<a href="#">556-160A-224F</a>	● Green		7	170
<a href="#">556-170A-324F</a>	<a href="#">556-170A-224F</a>	● Yellow		8.5	310

ORDERING INFORMATION

DOMED LENS

White Nickel	Black Nickel	Color	Voltage	Typ Current (mA)	Typical Intensity (mcd)
<a href="#">556-3003-324F</a>	<a href="#">556-3003-224F</a>	○ White	12 VDC	60	17,000
<a href="#">556-3503-324F</a>	<a href="#">556-3503-224F</a>	● Red		95	14,000
<a href="#">556-3603-324F</a>	<a href="#">556-3603-224F</a>	● Green		60	14,000
<a href="#">556-3683-324F</a>	<a href="#">556-3683-224F</a>	● Cyan		60	11,500
<a href="#">556-3703-324F</a>	<a href="#">556-3703-224F</a>	● Yellow		95	4,000
<a href="#">556-3803-324F</a>	<a href="#">556-3803-224F</a>	● Blue		60	12,000
<a href="#">556-3903-324F</a>	<a href="#">556-3903-224F</a>	● Orange		95	3,500
<a href="#">556-3004-324F</a>	<a href="#">556-3004-224F</a>	○ White	24 VDC	32	17,000
<a href="#">556-3504-324F</a>	<a href="#">556-3504-224F</a>	● Red		46	14,000
<a href="#">556-3604-324F</a>	<a href="#">556-3604-224F</a>	● Green		32	14,000
<a href="#">556-3684-324F</a>	<a href="#">556-3684-224F</a>	● Cyan		32	11,500
<a href="#">556-3704-324F</a>	<a href="#">556-3704-224F</a>	● Yellow		46	4,000
<a href="#">556-3804-324F</a>	<a href="#">556-3804-224F</a>	● Blue		32	12,000
<a href="#">556-3904-324F</a>	<a href="#">556-3904-224F</a>	● Orange		46	3,500
<a href="#">556-3508-324F</a>	<a href="#">556-3508-224F</a>	● Red	37.5 VDC	20	4,750
<a href="#">556-3608-324F</a>	<a href="#">556-3608-224F</a>	● Green		16	15,750
<a href="#">556-3708-324F</a>	<a href="#">556-3708-224F</a>	● Yellow		20	3,250
<a href="#">556-3006-324F</a>	<a href="#">556-3006-224F</a>	○ White	72 VDC	18.5	4,200
<a href="#">556-3506-324F</a>	<a href="#">556-3506-224F</a>	● Red		18.5	14,250
<a href="#">556-3606-324F</a>	<a href="#">556-3606-224F</a>	● Green		16	2,600
<a href="#">556-3706-324F</a>	<a href="#">556-3706-224F</a>	● Yellow		20	4,500
<a href="#">556-3806-324F</a>	<a href="#">556-3806-224F</a>	● Blue		18.5	10,250
<a href="#">556-3007-324F</a>		○ White	125 VDC	10.5	2,500
<a href="#">556-3507-324F</a>		● Red		10	8,250
<a href="#">556-3607-324F</a>		● Green		10	1,500
<a href="#">556-3707-324F</a>		● Yellow	125 VAC	10	10,250
<a href="#">556-3005-324F</a>		○ White		11	2,500
<a href="#">556-3505-324F</a>		● Red		10.5	9,500
<a href="#">556-3605-324F</a>		● Green		9.5	6,500
<a href="#">556-3685-324F</a>		● Cyan		9.5	1,750
<a href="#">556-3705-324F</a>		● Yellow		10.5	3,000
<a href="#">556-3805-324F</a>		● Blue		9.5	1,750
<a href="#">556-3905-324F</a>		● Orange	10.5	10,250	
<a href="#">556-3009-324F</a>		○ White	230 VAC	6	2,500
<a href="#">556-3509-324F</a>		● Red		7	9,500
<a href="#">556-3609-324F</a>		● Green		7	1,750
<a href="#">556-3709-324F</a>		● Yellow		7	3,000
<a href="#">556-3809-324F</a>		● Blue		7	1,750
<a href="#">556-3909-324F</a>		● Orange		7	3100
<a href="#">556-350A-324F</a>	<a href="#">556-350A-224F</a>	● Red	18-48 VDC	7.8	400
<a href="#">556-360A-324F</a>	<a href="#">556-360A-224F</a>	● Green		7	170
<a href="#">556-370A-324F</a>	<a href="#">556-370A-224F</a>	● Yellow		8.5	310



Dialight reserves the right to make changes at any time in order to supply the best product possible. The most current version of this document will always be available at: [www.dialightsignalsandcomponents.com](http://www.dialightsignalsandcomponents.com)

Warranty Statement: Except for the warranty expressly provided for at: [www.dialight.com/resources/warranties/](http://www.dialight.com/resources/warranties/), Dialight disclaims any and all other warranties, express or implied, including, without limitation, any warranties of merchantability, fitness for a particular purpose, title, and noninfringement.



## 556 SERIES Daylight Viewable Panel Mount Indicators

### MECHANICAL / SPECIFICATIONS

MOUNTING HOLE SIZE:  
1.0" (25.4 mm)

MAX PANEL THICKNESS:  
0.600" (15.24 mm)

MOUNTING TORQUE: 40 in-lbs

VOLTAGE OPTIONS:  
12 to 125VDC, and 125, 230VAC  
(no resistor required)

OPERATING TEMP:  
-30 °C to +85 °C (-22 °F to +185 °F)

STORAGE TEMP:  
-40 °C to +100 °C (-40 °F to +212 °F)

ELECTRICAL CONNECTION:  
6-32 screw terminals

HOUSING: Brass–  
White or Black Nickel Plated

TERMINALS: Brass– Hot solder dip  
per Mil-F-14072D, M258, Type II

LENS MATERIAL: Clear UV Stabilized  
Polycarbonate (UL 94V-0)

LOCK WASHER: Phosphor Bronze–  
White or Black Nickel Plated

NUT: Brass–White or Black Nickel Plated

### CERTIFICATIONS & RATINGS

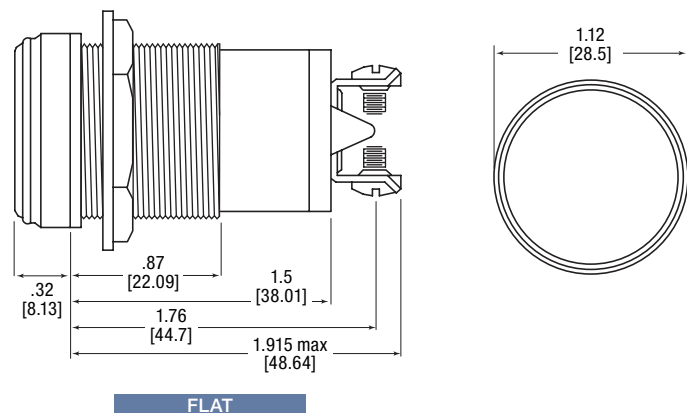
UL 508  
IP66  
NEMA 4X  
RoHS Compliant w/6C exemption

### APPLICATION

The 556 Series LED Panel Mount Indicators incorporate both InGaN and AlInGaP technologies to offer maximum light output. This is a highly durable package, designed to withstand outdoor applications susceptible to rain, dust and sunlight:

- Instrument panels
- Safety applications
- UL 508 panel applications
- Agricultural controls
- Power generators
- Environmental monitoring equipment
- Ground support vehicles
- Pump system controllers
- Transportation - rail, bus, airline
- Lane control
- Display lighting

### DIMENSIONS inches [mm]



ORDERING INFORMATION

White Nickel	Black Nickel	Color	Voltage	Typ Current (mA)	Typ Intensity (mcd)
<a href="#">556-1503-314F</a>	<a href="#">556-1503-214F</a>	● Red	12 VDC	95	27,250
<a href="#">556-1603-314F</a>	<a href="#">556-1603-214F</a>	● Green		60	71,500
<a href="#">556-1683-314F</a>	<a href="#">556-1683-214F</a>	● Cyan		60	48,250
<a href="#">556-1703-314F</a>	<a href="#">556-1703-214F</a>	● Yellow		95	17,500
<a href="#">556-1803-314F</a>	<a href="#">556-1803-214F</a>	● Blue		60	24,000
<a href="#">556-1903-314F</a>	<a href="#">556-1903-214F</a>	● Orange		95	22,250
<a href="#">556-1504-314F</a>	<a href="#">556-1504-214F</a>	● Red		24 VDC	46
<a href="#">556-1604-314F</a>	<a href="#">556-1604-214F</a>	● Green	32		71,500
<a href="#">556-1684-314F</a>	<a href="#">556-1684-214F</a>	● Cyan	32		48,250
<a href="#">556-1704-314F</a>	<a href="#">556-1704-214F</a>	● Yellow	46		17,500
<a href="#">556-1804-314F</a>	<a href="#">556-1804-214F</a>	● Blue	32		24,000
<a href="#">556-1904-314F</a>	<a href="#">556-1904-214F</a>	● Orange	46		22,250
<a href="#">556-1508-314F</a>	<a href="#">556-1508-214F</a>	● Red	37.5 VDC		20
<a href="#">556-1608-314F</a>	<a href="#">556-1608-214F</a>	● Green		16	80,000
<a href="#">556-1708-314F</a>	<a href="#">556-1708-214F</a>	● Yellow		20	18,000
<a href="#">556-1506-314F</a>	<a href="#">556-1506-214F</a>	● Red	72 VDC	18.5	20,500
<a href="#">556-1606-314F</a>	<a href="#">556-1606-214F</a>	● Green		16	65,500
<a href="#">556-1706-314F</a>	<a href="#">556-1706-214F</a>	● Yellow		20	15,000
<a href="#">556-1507-314F</a>		● Red	125 VDC		14,000
<a href="#">556-1607-314F</a>		● Green		10	44,750
<a href="#">556-1707-314F</a>		● Yellow			8,250
<a href="#">556-1505-314F</a>		● Red	125 VAC	10.5	13,500
<a href="#">556-1605-314F</a>		● Green		9.5	43,750
<a href="#">556-1685-314F</a>		● Cyan		9.5	32,000
<a href="#">556-1705-314F</a>		● Yellow		10.5	9,000
<a href="#">556-1805-314F</a>		● Blue		9.5	16,000
<a href="#">556-1905-314F</a>		● Orange		10.5	11,000
<a href="#">556-1509-314F</a>		● Red		230 VAC	
<a href="#">556-1609-314F</a>		● Green			43,750
<a href="#">556-1709-314F</a>		● Yellow	7		9,000
<a href="#">556-1809-314F</a>		● Blue			16,000
<a href="#">556-1909-314F</a>		● Orange			11,000



Dialight reserves the right to make changes at any time in order to supply the best product possible. The most current version of this document will always be available at: [www.dialightsignalsandcomponents.com](http://www.dialightsignalsandcomponents.com)

Warranty Statement: Except for the warranty expressly provided for at: [www.dialight.com/resources/warranties/](http://www.dialight.com/resources/warranties/), Dialight disclaims any and all other warranties, express or implied, including, without limitation, any warranties of merchantability, fitness for a particular purpose, title, and noninfringement.



**556 SERIES**

**Daylight Viewable  
Panel Mount Indicators**

Constant Intensity, 18–48VDC

**MECHANICAL / SPECIFICATIONS**

MOUNTING HOLE SIZE:  
1.0" (25.4 mm)

MAX PANEL THICKNESS:  
0.600" (15.24 mm)

MOUNTING TORQUE: 40 in-lbs

VOLTAGE OPTIONS:  
18–48VDC  
(internal resistor included)

OPERATING TEMP:  
-30 °C to +85 °C (-22 °F to +185 °F)

STORAGE TEMP:  
-40 °C to +100 °C (-40 °F to +212 °F)

ELECTRICAL CONNECTION:  
6-32 screw terminals

HOUSING: Brass–  
White or Black Nickel Plated

TERMINALS: Brass– Hot solder dip  
per Mil-F-14072D, M258, Type II

LENS MATERIAL: Clear UV Stabilized  
Polycarbonate (UL 94V-0)

LOCK WASHER: Phosphor Bronze–  
White or Black Nickel Plated

NUT: Brass–White or Black Nickel Plated

**CERTIFICATIONS & RATINGS**

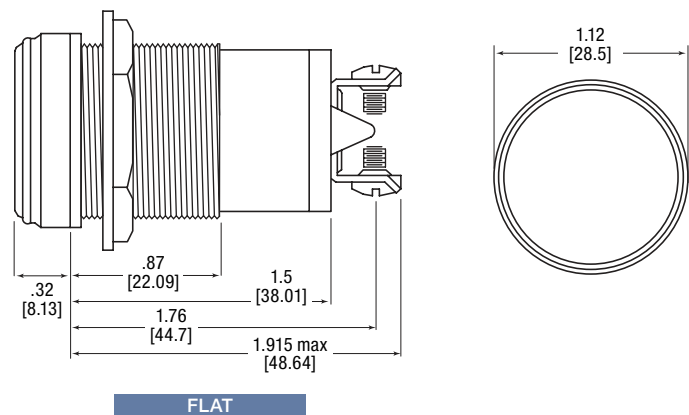
IP66  
NEMA 4X  
RoHS Compliant w/6C exemption

**APPLICATION**

The 556 Series LED Panel Mount Indicators incorporate both InGaN and AlInGaP technologies to offer maximum light output. This is a highly durable package, designed to withstand outdoor applications susceptible to rain, dust and sunlight:

- Instrument panels
- Safety applications
- UL 508 panel applications
- Agricultural controls
- Power generators
- Environmental monitoring equipment
- Ground support vehicles
- Pump system controllers
- Transportation - rail, bus, airline
- Lane control
- Display lighting

**DIMENSIONS** inches [mm]



ORDERING INFORMATION

White Nickel	Black Nickel	Color	Voltage (vdc)	Typ Current (mA)	Typical Intensity (mcd)
<a href="#">556-150A-314F</a>	<a href="#">556-150A-214F</a>	● Red	18–48	7.3–8.2	1470–1500
<a href="#">556-160A-314F</a>	<a href="#">556-160A-214F</a>	● Green		6.5–7.4	200–230
<a href="#">556-170A-314F</a>	<a href="#">556-170A-214F</a>	● Yellow		8.0–8.9	630–660



Dialight reserves the right to make changes at any time in order to supply the best product possible. The most current version of this document will always be available at: [www.dialightsignalsandcomponents.com](http://www.dialightsignalsandcomponents.com)

Warranty Statement: Except for the warranty expressly provided for at: [www.dialight.com/resources/warranties/](http://www.dialight.com/resources/warranties/), Dialight disclaims any and all other warranties, express or implied, including, without limitation, any warranties of merchantability, fitness for a particular purpose, title, and noninfringement.



## 556 SERIES Standard Panel Mount Indicators

### MECHANICAL / SPECIFICATIONS

MOUNTING HOLE SIZE:  
1.0" (25.4 mm)

MAX PANEL THICKNESS:  
Flat: 0.600" (15.24 mm)  
Dome: 0.187" (4.27 mm)

MOUNTING TORQUE: 40 in-lbs

VOLTAGE OPTIONS:  
12 to 125VDC, and 125, 230VAC  
(no resistor required)

OPERATING TEMP:  
-30 °C to +85 °C (-22 °F to +185 °F)

STORAGE TEMP:  
-40 °C to +100 °C (-40 °F to +212 °F)

ELECTRICAL CONNECTION:  
6-32 screw terminals

HOUSING: Brass – White or Black Nickel Plated

TERMINALS: Brass – Hot solder dip  
per Mil-F-14072D, M258, Type II

LENS MATERIAL:  
Transparent Polycarbonate (UL 94V-0)

LOCK WASHER: Phosphor Bronze –  
White or Black Nickel Plated

NUT: Brass – White or Black Nickel Plated

### CERTIFICATIONS & RATINGS

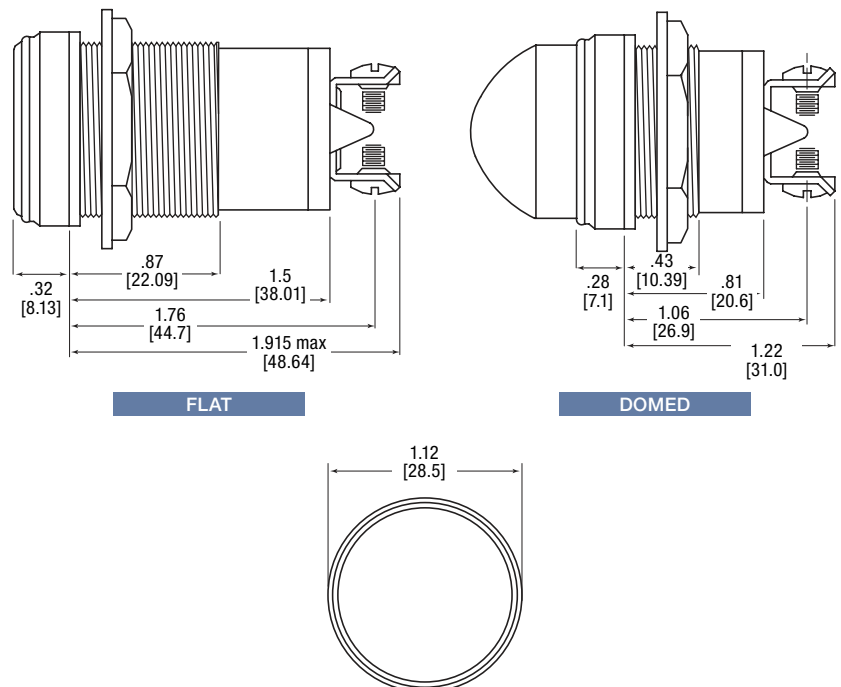
UL 508  
IP66  
NEMA 4X  
RoHS Compliant w/6C exemption  
IK07

### APPLICATION

The 556 Series LED Panel Mount Indicators incorporate both InGaN and AlInGaP technologies to offer maximum light output. This is a highly durable package, designed to withstand outdoor applications susceptible to rain, dust and sunlight:

- Instrument panels
- Safety applications
- Transportation: rail, bus, airline
- Vending, gaming
- Lane control
- Display lighting

### DIMENSIONS inches [mm]



ORDERING INFORMATION

FLAT LENS

White Nickel	Black Nickel	Color	Voltage (VDC)	Typ Current (mA)	Typical Intensity (mcd)
<a href="#">556-1003-304F</a>	<a href="#">556-1003-204F</a>	○ White	12	60	61,000
<a href="#">556-1503-304F</a>	<a href="#">556-1503-204F</a>	● Red		95	22,000
<a href="#">556-1603-304F</a>	<a href="#">556-1603-204F</a>	● Green		60	41,500
<a href="#">556-1683-304F</a>	<a href="#">556-1683-204F</a>	● Cyan		60	37,000
<a href="#">556-1703-304F</a>	<a href="#">556-1703-204F</a>	● Yellow		95	13,500
<a href="#">556-1803-304F</a>	<a href="#">556-1803-204F</a>	● Blue		60	13,000
<a href="#">556-1903-304F</a>	<a href="#">556-1903-204F</a>	● Orange		95	11,500
<a href="#">556-1004-304F</a>	<a href="#">556-1004-204F</a>	○ White		24	32
<a href="#">556-1504-304F</a>	<a href="#">556-1504-204F</a>	● Red	46		22,000
<a href="#">556-1604-304F</a>	<a href="#">556-1604-204F</a>	● Green	32		41,500
<a href="#">556-1684-304F</a>	<a href="#">556-1684-204F</a>	● Cyan	32		37,000
<a href="#">556-1704-304F</a>	<a href="#">556-1704-204F</a>	● Yellow	46		13,500
<a href="#">556-1804-304F</a>	<a href="#">556-1804-204F</a>	● Blue	32		13,000
<a href="#">556-1904-304F</a>	<a href="#">556-1904-204F</a>	● Orange	46		11,500
<a href="#">556-1508-304F</a>	<a href="#">556-1508-204F</a>	● Red	37.5		20
<a href="#">556-1608-304F</a>	<a href="#">556-1608-204F</a>	● Green		16	54,000
<a href="#">556-1708-304F</a>	<a href="#">556-1708-204F</a>	● Yellow		20	12,750
<a href="#">556-1506-304F</a>	<a href="#">556-1506-204F</a>	● Red	72	18.5	15,000
<a href="#">556-1606-304F</a>	<a href="#">556-1606-204F</a>	● Green		16	45,500
<a href="#">556-1706-304F</a>	<a href="#">556-1706-204F</a>	● Yellow		20	9,000
<a href="#">556-1806-304F</a>	<a href="#">556-1806-204F</a>	● Blue		18.5	15,000
<a href="#">556-1007-304F</a>		○ White	125	10.5	36,000
<a href="#">556-1507-304F</a>		● Red			8,000
<a href="#">556-1607-304F</a>		● Green		10	27,000
<a href="#">556-1707-304F</a>		● Yellow		5,750	
<a href="#">556-1005-304F</a>		○ White	125	11	35,000
<a href="#">556-1505-304F</a>		● Red		10.5	8,000
<a href="#">556-1605-304F</a>		● Green		9.5	29,000
<a href="#">556-1685-304F</a>		● Cyan		9.5	24,750
<a href="#">556-1705-304F</a>		● Yellow		10.5	5,750
<a href="#">556-1805-304F</a>		● Blue		9.5	7,750
<a href="#">556-1905-304F</a>		● Orange		10.5	6,000
<a href="#">556-1009-304F</a>		○ White	230	6	35,000
<a href="#">556-1509-304F</a>		● Red			8,000
<a href="#">556-1609-304F</a>		● Green			29,000
<a href="#">556-1709-304F</a>		● Yellow		7	5,750
<a href="#">556-1809-304F</a>		● Blue			7,750
<a href="#">556-1909-304F</a>		● Orange			6,000

FLAT LENS, DIFFUSED

White Nickel	Black Nickel	Color	Voltage	Typ Current (mA)	Typical Intensity (mcd)
<a href="#">556-1813-304F</a>		● Blue	12	60	13,000

ORDERING INFORMATION

DOMED LENS

White Nickel	Black Nickel	Color	Voltage (VDC)	Typ Current (mA)	Typical Intensity (mcd)
<a href="#">556-3003-304F</a>	<a href="#">556-3003-204F</a>	○ White	12	60	17,000
<a href="#">556-3503-304F</a>	<a href="#">556-3503-204F</a>	● Red		95	14,000
<a href="#">556-3603-304F</a>	<a href="#">556-3603-204F</a>	● Green		60	14,000
<a href="#">556-3683-304F</a>	<a href="#">556-3683-204F</a>	● Cyan		60	11,500
<a href="#">556-3703-304F</a>	<a href="#">556-3703-204F</a>	● Yellow		95	4,000
<a href="#">556-3803-304F</a>	<a href="#">556-3803-204F</a>	● Blue		60	12,000
<a href="#">556-3903-304F</a>	<a href="#">556-3903-204F</a>	● Orange		95	3,500
<a href="#">556-3004-304F</a>	<a href="#">556-3004-204F</a>	○ White		24	32
<a href="#">556-3504-304F</a>	<a href="#">556-3504-204F</a>	● Red	46		14,000
<a href="#">556-3604-304F</a>	<a href="#">556-3604-204F</a>	● Green	32		14,000
<a href="#">556-3684-304F</a>	<a href="#">556-3684-204F</a>	● Cyan	32		11,500
<a href="#">556-3704-304F</a>	<a href="#">556-3704-204F</a>	● Yellow	46		4,000
<a href="#">556-3804-304F</a>	<a href="#">556-3804-204F</a>	● Blue	32		12,000
<a href="#">556-3904-304F</a>	<a href="#">556-3904-204F</a>	● Orange	46		3,500
<a href="#">556-3508-304F</a>	<a href="#">556-3508-204F</a>	● Red	37.5		20
<a href="#">556-3608-304F</a>	<a href="#">556-3608-204F</a>	● Green		16	15,750
<a href="#">556-3708-304F</a>	<a href="#">556-3708-204F</a>	● Yellow		20	3,250
<a href="#">556-3506-304F</a>	<a href="#">556-3506-204F</a>	● Red	72	18.5	4,200
<a href="#">556-3606-304F</a>	<a href="#">556-3606-204F</a>	● Green		16	14,250
<a href="#">556-3706-304F</a>	<a href="#">556-3706-204F</a>	● Yellow		20	2,600
<a href="#">556-3806-304F</a>	<a href="#">556-3806-204F</a>	● Blue		18.5	4,500
<a href="#">556-3007-304F</a>		○ White	125	10.5	10,250
<a href="#">556-3507-304F</a>		● Red			2,500
<a href="#">556-3607-304F</a>		● Green		10	8,250
<a href="#">556-3707-304F</a>		● Yellow			1,500
<a href="#">556-3005-304F</a>		○ White	125	11	10,250
<a href="#">556-3505-304F</a>		● Red		10.5	2,500
<a href="#">556-3605-304F</a>		● Green		9.5	9,500
<a href="#">556-3685-304F</a>		● Cyan		9.5	6,500
<a href="#">556-3705-304F</a>		● Yellow		10.5	1,750
<a href="#">556-3805-304F</a>		● Blue		9.5	3,000
<a href="#">556-3905-304F</a>		● Orange		10.5	1,750
<a href="#">556-3009-304F</a>		○ White	230	6	10,250
<a href="#">556-3509-304F</a>		● Red			2,500
<a href="#">556-3609-304F</a>		● Green			9,500
<a href="#">556-3709-304F</a>		● Yellow		7	1,750
<a href="#">556-3809-304F</a>		● Blue			3,000
<a href="#">556-3909-304F</a>		● Orange			1,750



Dialight reserves the right to make changes at any time in order to supply the best product possible. The most current version of this document will always be available at: [www.dialightsignalsandcomponents.com](http://www.dialightsignalsandcomponents.com)

Warranty Statement: Except for the warranty expressly provided for at: [www.dialight.com/resources/warranties/](http://www.dialight.com/resources/warranties/), Dialight disclaims any and all other warranties, express or implied, including, without limitation, any warranties of merchantability, fitness for a particular purpose, title, and noninfringement.



## 556 SERIES Standard Panel Mount Indicators

Constant Intensity, 18–48VDC

### MECHANICAL / SPECIFICATIONS

MOUNTING HOLE SIZE:  
1.0" (25.4 mm)

MAX PANEL THICKNESS:  
Flat: 0.600" (15.24 mm)  
Dome: 0.187" (4.27 mm)

MOUNTING TORQUE: 40 in-lbs

VOLTAGE OPTIONS: 18–48VDC  
(internal resistor included)

OPERATING TEMP:  
-30 °C to +85 °C (-22 °F to +185 °F)

STORAGE TEMP:  
-40 °C to +100 °C (-40 °F to +212 °F)

ELECTRICAL CONNECTION:  
6-32 screw terminals

HOUSING: Brass–  
White or Black Nickel Plated

TERMINALS: Brass – Hot solder dip  
per Mil-F-14072D, M258, Type II

LENS MATERIAL: Transparent  
Polycarbonate (UL 94V-0)

LOCK WASHER: Phosphor Bronze–  
White or Black Nickel Plated

NUT: Phosphor Bronze–  
White or Black Nickel Plated

### CERTIFICATIONS & RATINGS

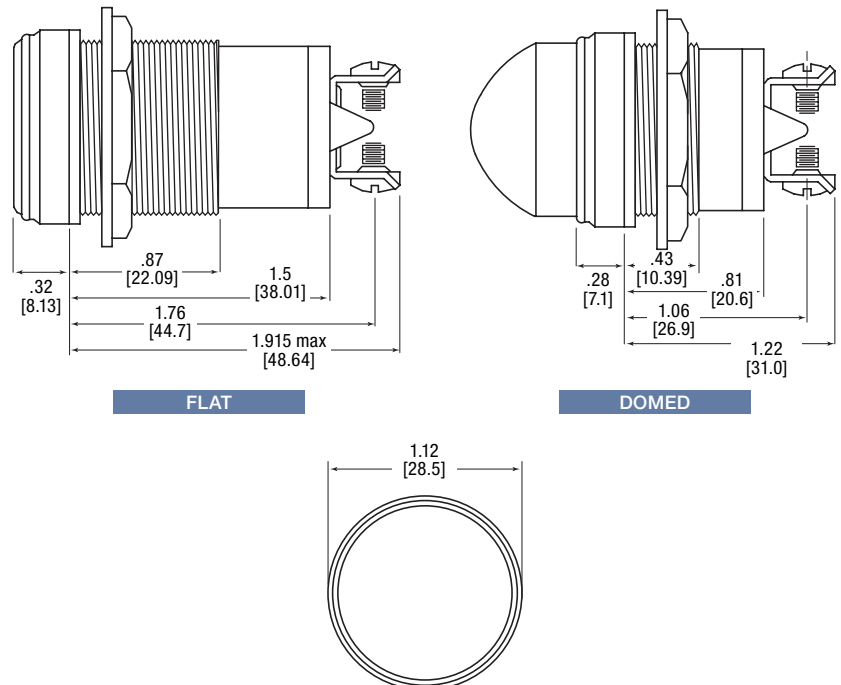
IP66  
NEMA 4X  
RoHS Compliant w/6C exemption  
IK07

### APPLICATION

The 556 Series LED Panel Mount Indicators incorporate both InGaN and AlInGaP technologies to offer maximum light output. This is a highly durable package, designed to withstand outdoor applications susceptible to rain, dust and sunlight:

- Instrument panels
- Safety applications
- Transportation: rail, bus, airline
- Vending, gaming
- Lane control
- Display lighting

### DIMENSIONS inches [mm]



ORDERING INFORMATION

FLAT LENS		DOMED LENS		Color	Voltage (vdc)	Typ Current (mA)	Typical Intensity (mcd)
White Nickel Plating	Black Nickel Plating	White Nickel Plating	Black Nickel Plating				
<a href="#">556-150A-304F</a>	<a href="#">556-150A-204F</a>	<a href="#">556-350A-304F</a>	<a href="#">556-350A-204F</a>	● Red	18–48	7.3–8.2	400
<a href="#">556-160A-304F</a>	<a href="#">556-160A-204F</a>	<a href="#">556-360A-304F</a>	<a href="#">556-360A-204F</a>	● Green		6.5–7.4	170
<a href="#">556-170A-304F</a>	<a href="#">556-170A-204F</a>	<a href="#">556-370A-304F</a>	<a href="#">556-370A-204F</a>	● Yellow		8.0–8.9	310



Dialight reserves the right to make changes at any time in order to supply the best product possible. The most current version of this document will always be available at: [www.dialightsignalsandcomponents.com](http://www.dialightsignalsandcomponents.com)

Warranty Statement: Except for the warranty expressly provided for at: [www.dialight.com/resources/warranties/](http://www.dialight.com/resources/warranties/), Dialight disclaims any and all other warranties, express or implied, including, without limitation, any warranties of merchantability, fitness for a particular purpose, title, and noninfringement.



## 556 SERIES UV Certified Indicators

### MECHANICAL / SPECIFICATIONS

MOUNTING HOLE SIZE:  
1.0" (25.4 mm)

MAX PANEL THICKNESS:  
Flat: 0.600" (15.24 mm)

MOUNTING TORQUE: 40 in-lbs

VOLTAGE OPTIONS: 24 V DC

OPERATING TEMP:  
-40 °C to +100 °C (-22 °F to +185 °F)

STORAGE TEMP:  
-40 °C to +100 °C (-40 °F to +212 °F)

ELECTRICAL CONNECTION:  
8"-18" AWG wire

HOUSING: Brass — White

LENS MATERIAL: Glass

LOCK WASHER: Phosphor Bronze – White

NUT: Brass—White

### CERTIFICATIONS & RATINGS

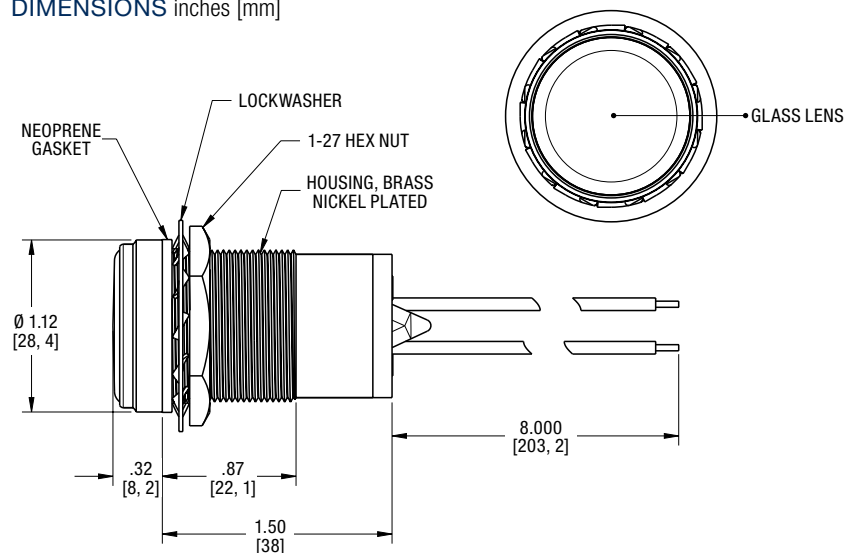
IP66  
NEMA 4X  
RoHS Compliant w/ 6C exemption

### APPLICATION

The 556 Series LED Panel Mount Indicators incorporate both InGaN and AlInGaP technologies to offer maximum light output. This is a highly durable package, designed to withstand outdoor applications susceptible to rain, dust and sunlight:

- Instrument panels
- Safety applications
- Transportation: rail, bus, airline
- Vending, gaming
- Lane control
- Display lighting

### DIMENSIONS inches [mm]



ORDERING INFORMATION

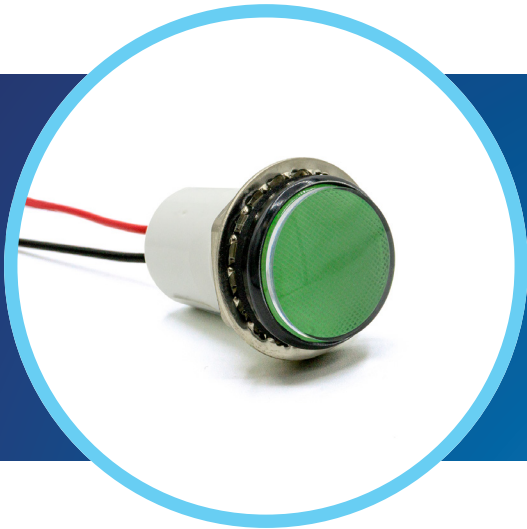
FLAT LENS

White Nickel	Color	Voltage	Typ Current (mA)	Typical Intensity (mcd)
<a href="#">556-10B4-304F</a>	○ White	24 VDC	32	61,000
<a href="#">556-15B4-304F</a>	● Red		46	22,000
<a href="#">556-16B4-304F</a>	● Green		32	41,500
<a href="#">556-17B4-304F</a>	● Yellow		46	13,500
<a href="#">556-18B4-304F</a>	● Blue		32	13,000



Dialight reserves the right to make changes at any time in order to supply the best product possible. The most current version of this document will always be available at: [www.dialightsignalsandcomponents.com](http://www.dialightsignalsandcomponents.com)

Warranty Statement: Except for the warranty expressly provided for at: [www.dialight.com/resources/warranties/](http://www.dialight.com/resources/warranties/), Dialight disclaims any and all other warranties, express or implied, including, without limitation, any warranties of merchantability, fitness for a particular purpose, title, and noninfringement.



## 557 SERIES

# Daylight Viewable Panel Mount Indicators

### MECHANICAL / SPECIFICATIONS

MOUNTING HOLE SIZE:  
0.687" (17.46 mm)

MAX PANEL THICKNESS:  
0.156" (3.96 mm)

MOUNTING TORQUE:  
15 in-lbs torque

VOLTAGE OPTIONS:  
5, 12, 24, and 28VDC (bi-color: 5VDC)

OPERATING TEMP:  
-25 °C to +85 °C  
(Bi-color: -30 °C to +80 °C)

STORAGE TEMP:  
-30 °C to +100 °C  
(bi-color: -40 °C to +85 °C)

ELECTRICAL CONNECTION:  
24 AWG Wire Leads

HOUSING:  
White Polycarbonate

LENS MATERIAL:  
Transparent Polycarbonate (UL 94V-0)

WIRE LEADS: 5.5"

LOCK WASHER:  
Phosphor Bronze—White Nickel Plated

NUT:  
Brass—White Nickel Plated

*Internal resistor included*

### CERTIFICATIONS & RATINGS

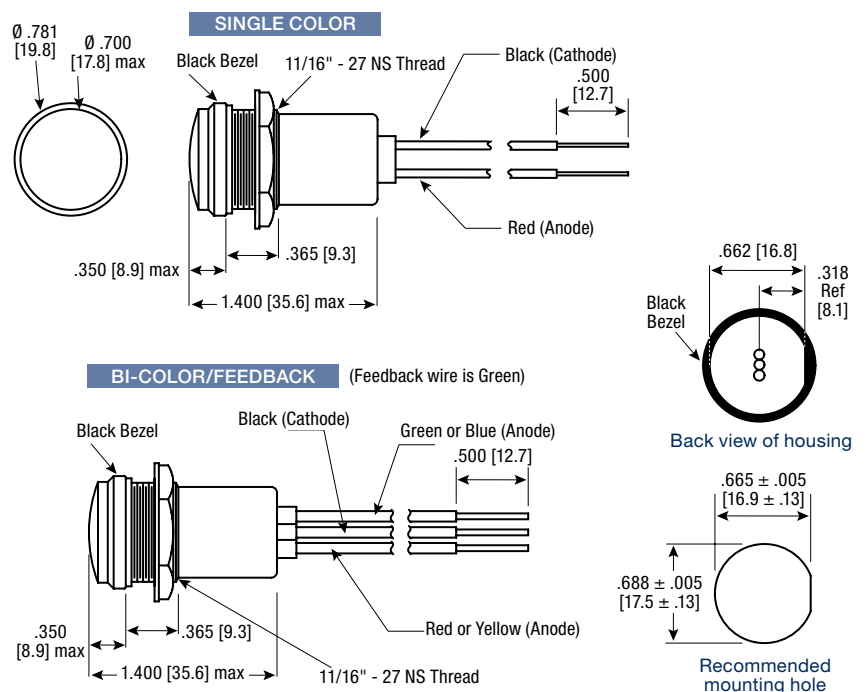
RoHS Compliant  
Watertight to Mil-L-3661B spec

### APPLICATION

The 557 Series LED Panel Mount Indicators incorporate both InGaN and AlInGaP technologies to offer higher intensities. This is a highly durable package, designed to withstand outdoor applications susceptible to rain, dust, and sunlight.

- Instrument panels
- Vending, gaming
- Safety applications
- Lane control
- Transportation—rail, bus, airline

### DIMENSIONS inches [mm]



ORDERING INFORMATION

Part Number	Color	Voltage (VDC)	Current (mA)	Typical Intensity (mcd)
<a href="#">557-1002-203F</a>	○ White	5	16	5350
<a href="#">557-1502-203F</a>	● Red		80	800
<a href="#">557-1602-203F</a>	● Green		16	8200
<a href="#">557-1702-203F</a>	● Yellow		80	1550
<a href="#">557-1802-203F</a>	● Blue		16	1200
<a href="#">557-1412-203F</a>	● Red / Green		70 / 16	720 / 1800
<a href="#">557-1422-203F</a>	● Red / Blue		70 / 16	625 / 425
<a href="#">557-1432-203F</a>	● Yellow / Green		70 / 16	585 / 1700
<a href="#">557-1442-203F</a>	● Yellow / Blue		70 / 16	635 / 445
<a href="#">557-1452-203F</a>	● Yellow / Red		70 / 20	650 / 350
<a href="#">557-1003-203F</a>	○ White	12	16	5350
<a href="#">557-1503-203F</a>	● Red		20	800
<a href="#">557-1603-203F</a>	● Green		16	8200
<a href="#">557-1703-203F</a>	● Yellow		20	1550
<a href="#">557-1803-203F</a>	● Blue		16	1200
<a href="#">557-1005-203F</a>	○ White	24	16	5350
<a href="#">557-1505-203F</a>	● Red		20	800
<a href="#">557-1605-203F</a>	● Green		16	8200
<a href="#">557-1705-203F</a>	● Yellow		20	1550
<a href="#">557-1805-203F</a>	● Blue		16	1200
<a href="#">557-1604-203F</a>	● Green	28	16	8200
<a href="#">557-1704-203F</a>	● Yellow		20	1550
<a href="#">557-1804-203F</a>	● Blue		16	1200

FEEDBACK CIRCUIT

<a href="#">557-1693-203F</a>	● Green	12	16	4900
-------------------------------	---------	----	----	------

FEEDBACK CIRCUIT SHOWS THE STATUS OF THE LED

LED Status	Signal Voltage
Normal	0-1
Open	10-12
Short	10-12



Dialight reserves the right to make changes at any time in order to supply the best product possible. The most current version of this document will always be available at: [www.dialightsignalsandcomponents.com](http://www.dialightsignalsandcomponents.com)

Warranty Statement: Except for the warranty expressly provided for at: [www.dialight.com/resources/warranties/](http://www.dialight.com/resources/warranties/), Dialight disclaims any and all other warranties, express or implied, including, without limitation, any warranties of merchantability, fitness for a particular purpose, title, and noninfringement.



## 558 SERIES Snap-In LED

.156" (3.96 mm) Mounting Hole

### MECHANICAL / SPECIFICATIONS

MOUNTING HOLE SIZE:  
0.155–0.158" (3.94–4.01 mm)

MAX PANEL THICKNESS:  
0.031–0.062" (.787–1.57 mm)

MOUNTING TORQUE: N / A

VOLTAGE OPTIONS:  
1.8–3.3VDC typical,  
5VDC typical (resistor included)

OPERATING TEMP: See table

STORAGE TEMP:  
-55 °C to +100 °C (-67 °F to +212 °F)

ELECTRICAL CONNECTION:  
Straight terminals for wire wrapping  
or 26 AWG lead wire

HOUSING:  
Valox UL94V-0  
and enhances LED contrast

CONNECTORS:  
Available upon request

TERMINALS:  
Available upon request

### CERTIFICATIONS & RATINGS

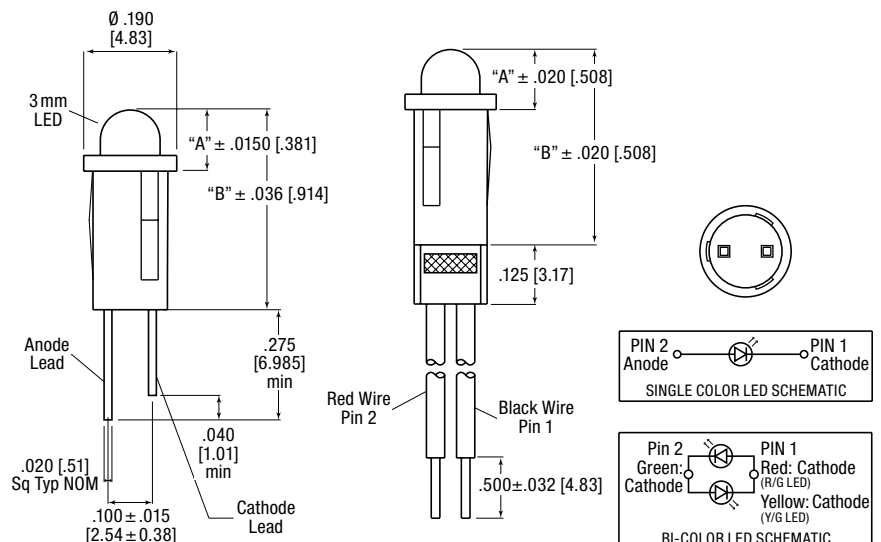
RoHS Compliant

### APPLICATION

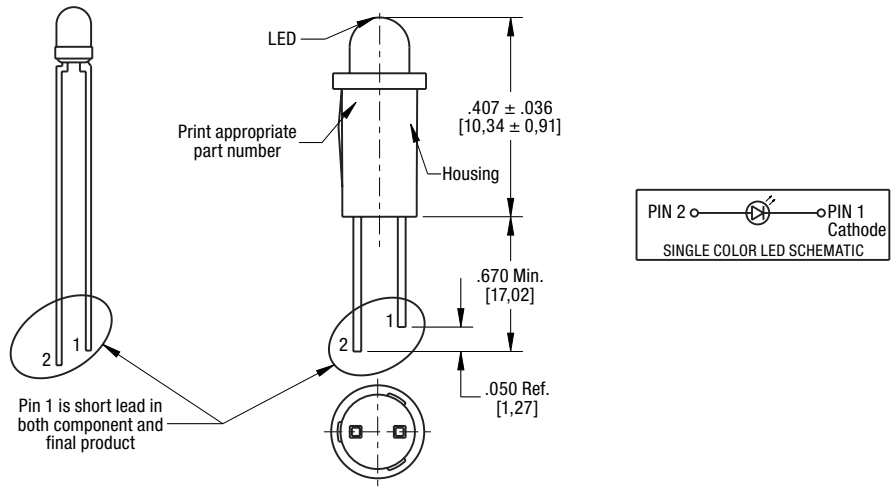
Dialight's 558 Series LED panel mount indicator is available with a variety of LEDs including AlInGaP and InGaN technology for high brightness applications, bi-color and integral resistors. These indicators are designed for a variety of applications such as:

- Fan tray assemblies
- Data center infrastructure (servers and storage)
- Networking equipment (switches and routers)
- Storage networking hardware (fiber channel host bus adapter cards)
- Next-Gen wireless infrastructure
- Electronic test and measurement instruments
- Communications testing equipment

### DIMENSIONS inches [mm]



DIMENSIONS inches [mm]



LED DETAIL BEFORE CUTTING

ORDERING INFORMATION

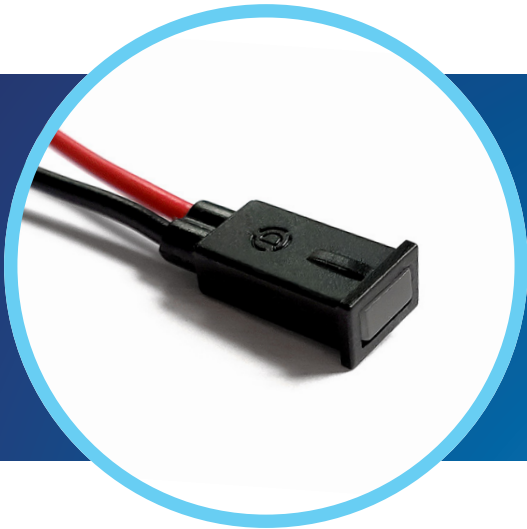
Part Number Guide										RoHS Compliant		
5	5	8	-	X	X	X	X	-	0	X	X	F
				LED Code (see below)		Wire Code						
				Standard		0						
				PVC Free		2						
				Termination Code								
				Long Terminals								0
				Trimmed Terminals								1
				26 AWG 6" wire leads								3
				26 AWG 14" wire leads								7

LED Code	Color	Peak Wavelength (nm)	Intensity Typ. (mcd)	If Typ. (mA)	Vf Typ. (VDC)	Viewing Angle	Max DC Forward Current (mA)	Type	Operating Temp	DIM "A"	DIM "B"
<a href="#">0102</a>	● Red	635	29	12	5	60	15	5V Integral Resistor	-40 °C to +85 °C	0.101	0.381
<a href="#">0202</a>	● Green	565	19	12	5	60	15				
<a href="#">0302</a>	● Yellow	585	12.6	12	5	60	15				
<a href="#">3001</a>	● Red / Green	630/565	5.6/8.7 @10 mA	10/20	1.9/2.0 @20 mA	200	30/30	Bi-Color	-55 °C to +100 °C	0.101	0.381
<a href="#">3101</a>	● Red / Green	660/565	12.6/3.7	20	1.6/2.1	200	40/30				
<a href="#">3201</a>	● Yellow / Green	585/565	5.8/12.3	10	2.1/2.1	80	20/30				
<a href="#">0101</a>	● Red	635	8.7	10	2	60	30	High Efficiency Diffused	-25 °C to +85 °C	0.111	0.391
<a href="#">0201</a>	● Green	565	12.6	10	2.1	60	30				
<a href="#">0301</a>	● Yellow	585	8.7	10	2.1	60	20		-55 °C to +85 °C	0.101	0.381
<a href="#">0401</a>	● Orange	600	7	10	1.9	60	25				
<a href="#">1801</a>	● Red	660	60	20	1.8	60	40	Low Current Diffused	-55 °C to +100 °C	0.107	0.387
<a href="#">0803</a>	● Blue	468	57	10	3.2	100	30				
<a href="#">1101</a>	● Red	635	2.4	2	1.7	60	7	Non-Tinted / Non-Diffused	-40 °C to +100 °C	0.101	0.381
<a href="#">1201</a>	● Yellow	585	1.4	2	1.8	60	7				
<a href="#">1301</a>	● Green	565	1.6	2	1.9	60	7				
<a href="#">0501</a>	● Green	565	70	20	2.1	45	30	Non-Tinted / Non-Diffused	-40 °C to +100 °C	0.101	0.381
<a href="#">0601</a>	● Yellow	592	200	20	1.9	45	50				
<a href="#">0701</a>	● Red	660	170	20	1.8	45	40				
<a href="#">6003</a>	● Blue	468	520	20	3.3	45	30	Non-Tinted / Non-Diffused	-40 °C to +85 °C	0.101	0.381
<a href="#">6403</a>	○ White	Y=.31 Y=.32	3000	20	3.3	45	30				
<a href="#">1501</a>	● Green	565	40	10	2.1	45	30	Tinted / Non-Diffused	-55 °C to +100 °C	0.101	0.381
<a href="#">1601</a>	● Yellow	585	70	20	2.1	45	20				
<a href="#">1701</a>	● Red	660	170	20	1.8	45	40				
<a href="#">6203</a>	● Green	518	85	2	2.1	100	30	White Diffused	-45 °C to +85 °C		



Dialight reserves the right to make changes at any time in order to supply the best product possible. The most current version of this document will always be available at: [www.dialightsignalsandcomponents.com](http://www.dialightsignalsandcomponents.com)

Warranty Statement: Except for the warranty expressly provided for at: [www.dialight.com/resources/warranties/](http://www.dialight.com/resources/warranties/), Dialight disclaims any and all other warranties, express or implied, including, without limitation, any warranties of merchantability, fitness for a particular purpose, title, and noninfringement.



## 559 SERIES

# Rectangle Snap-In LED

0.216 x 0.139" (5.49 x 3.53mm) Mounting Hole

### MECHANICAL / SPECIFICATIONS

#### MOUNTING HOLE SIZE:

0.216 ± .002" x .139 ± .002"  
(5.49 ± .05 mm x 3.53 ± .05 mm)

#### MAX PANEL THICKNESS:

0.031 – 0.062" (.787 – 1.57 mm)

#### VOLTAGE OPTIONS:

1.6 – 3.2V DC typical (resistor required)

OPERATING/STORAGE TEMP: See table

#### ELECTRICAL CONNECTION:

24 AWG 14" lead wire

HOUSING: Black — UL94V-0  
and enhances LED contrast

CONNECTORS: Available upon request

#### POSSIBLE CONNECTORS:

Molex 50-57-9402 AMP 3-643814-3

TERMINALS: Available upon request

#### POSSIBLE TERMINALS:

Molex 16-02-0069, 16-02-077,  
AMP 42067-1

### CERTIFICATIONS & RATINGS

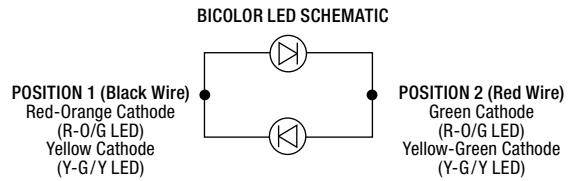
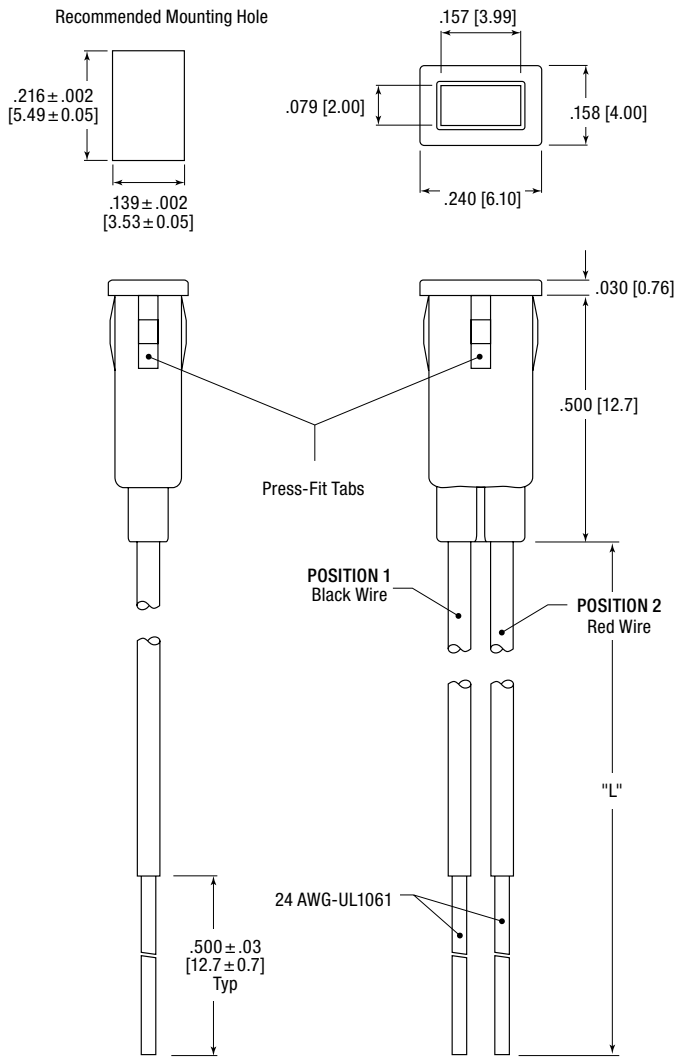
RoHS compliant

### APPLICATION

Dialight's 559 series LED panel mount indicator is available with a variety of LEDs including AllnGaP and InGaN technology for high brightness applications, bicolor and integral resistors.

- Fan tray assemblies
- Hand-held devices
- Data-center Infrastructure (servers and storage)
- Next-gen wireless infrastructure
- Electronic test and measurement instruments
- Communications testing equipment

DIMENSIONS inches [mm]



ORDERING INFORMATION

Part Number	Color	Peak Wavelength (nm)	Intensity Typ. (mcd)	If Typ. (mA)	Vf Typ. (V DC)	Viewing Angle	Max DC Forward Current (mA)	Operating Temp	Storage Temp
<a href="#">559-8100-007F</a>	● Red	635	125	20	2.0	104	30	-55 °C to +100 °C	-55 °C to +100 °C
<a href="#">559-8200-007F</a>	● Green	565	120		2.1	104	30	-20 °C to +100 °C	
<a href="#">559-8300-007F</a>	● Yellow	585	140		2.1	104	20	-55 °C to +100 °C	
<a href="#">559-8400-007F</a>	● Blue	468	67		3.2	100	20	-30 °C to +85 °C	
<a href="#">559-8120-007F</a>	●● Red-Orange / Green	630 / 565	90 / 40		2.1	140	30	-55 °C to +100 °C	
<a href="#">559-8320-007F</a>	●● Yellow-Green / Yellow	570 / 591	30 / 50		2.1	120	20	-30 °C to +85 °C	



Dialight reserves the right to make changes at any time in order to supply the best product possible. The most current version of this document will always be available at: [www.dialightsignalsandcomponents.com](http://www.dialightsignalsandcomponents.com)

Warranty Statement: Except for the warranty expressly provided for at: [www.dialight.com/resources/warranties/](http://www.dialight.com/resources/warranties/), Dialight disclaims any and all other warranties, express or implied, including, without limitation, any warranties of merchantability, fitness for a particular purpose, title, and noninfringement.



## 559 SERIES Snap-In LED

.250" (6.35 mm) Mounting Hole

### MECHANICAL / SPECIFICATIONS

**MOUNTING HOLE SIZE:**

0.249 – 0.252" (6.32 – 6.40 mm)

**MAX PANEL THICKNESS:**

0.031 – 0.062" (.787 – 1.57 mm)

**VOLTAGE OPTIONS:**

1.6 – 3.6V DC typical (resistor required)  
5, 12, 24V DC (no resistor required)

**OPERATING TEMP:** See table

**STORAGE TEMP:**

-55 °C to +100 °C (-67 °F to +212 °F)

**ELECTRICAL CONNECTION:**

Straight terminals for wire wrapping  
or 24 AWG lead wire

**HOUSING:**

Black - UL94V-0 flammability rating

**WIRE LEADS:**

6" or 14", Standard or PVC free

**CONNECTORS:** Available upon request

**TERMINALS:** Available upon request

### CERTIFICATIONS & RATINGS

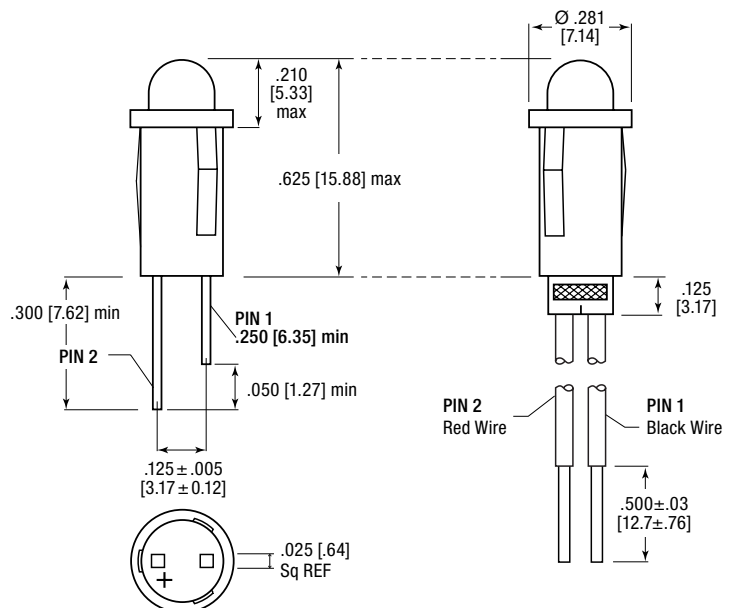
RoHS compliant

### APPLICATION

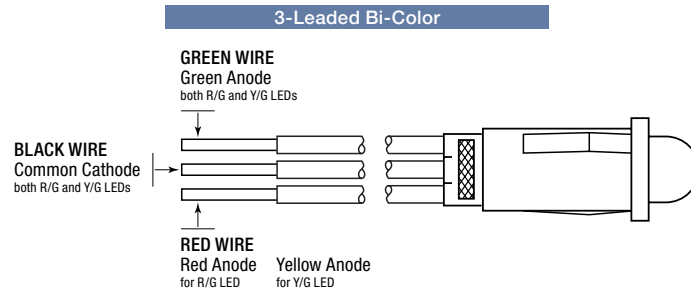
Dialight's 559 series LED panel mount indicator is available with a variety of LEDs including AllnGaP and InGaN technology for high brightness applications, bicolor and integral resistors.

- Fan tray assemblies
- Data-center infrastructure (servers and storage)
- Next-gen wireless infrastructure
- Electronic test and measurement instruments
- Communications testing equipment
- Hand held devices

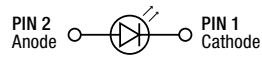
### DIMENSIONS inches [mm]



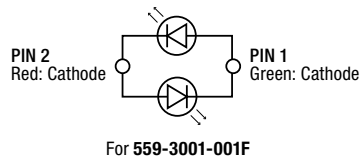
DIMENSIONS inches [mm]



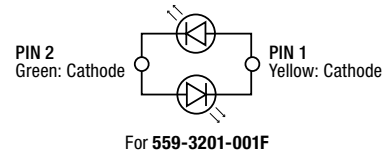
**Single Color LED Schematic**



**Bi-Color Red/Green LED Schematic**



**Bi-Color Yellow/Green LED Schematic**



ORDERING INFORMATION

**Part Number Guide**

5 5 9 - X X X X - 0 X X F

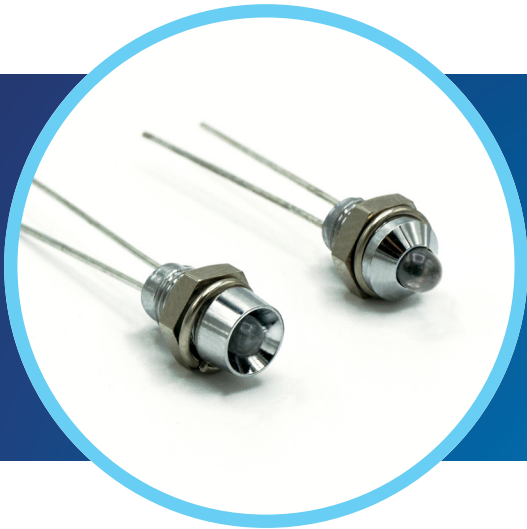
LED Code (see below)	Wire Code	Termination Code
	Standard 0	Straight Terminals 1
	PVC Free 2	24 AWG 6" wire leads 3
		24 AWG 14" wire leads 7

LED Code	Color	Peak Wavelength (nm)	Intensity Typ. (mcd)	If Typ. (mA)	Vf Typ. (V DC)	Viewing Angle	Max DC Forward Current (mA)	Type	Operating Temp
5501	Red	635	125	20	2.2	24	30	Non-Tinted/ Non-Diffused	-55 °C to +100 °C
5601	Green	565	120	20	2.3	24	30		-20 °C to +100 °C
5701	Yellow	583	140	20	2.1	24	20		-55 °C to +100 °C
5801	Orange	605	90	20	2.2	20	50		-30 °C to +85 °C
5901	Yellow	592	3100	20	2	15	50		-40 °C to +100 °C
6001	Blue	470	6000	20	3.1	30	35		-30 °C to +85 °C
6101	Red	635	2100	20	1.9	15	50		-40 °C to +100 °C
6201	Green	525	14800	20	3.2	30	35		-30 °C to +85 °C
6301	Orange	609	4000	20	1.9	15	50		-40 °C to +100 °C
6401	White	X = .31 Y = .32	2500	20	3.2	50	30		-30 °C to +85 °C
1101	Red	635	2.3	2	1.7	50	7		Low Current Diffused
1201	Yellow	583	1.8	2	1.9	50	7	-55 °C to +100 °C	
1301	Green	565	1.8	2	1.8	50	7	-55 °C to +100 °C	
2101	Red	650	6.3	10	2.2	50	20	Diffused	-25 °C to +85 °C
2201	Green	563	10	10	2.1	65	25		-25 °C to +85 °C
2301	Yellow	585	29	10	1.9	50	20		-55 °C to +100 °C
2501	Orange	600	7	10	1.9	60	30		-55 °C to +100 °C
5101	Red	650	40	10	2	50	25		-40 °C to +100 °C
5201	Green	569	40	10	2.1	50	30		-55 °C to +100 °C
5401	Amber	610	40	10	2.2	50	20		-40 °C to +100 °C
0102	Red	635	8		5	60	15	5V Integral Resistor	-40 °C to +85 °C
0202	Green	565	8	12	5	60	15		-20 °C to +85 °C
0302	Yellow	583	8	10	5	60	15		-40 °C to +85 °C
0103	Red	635	8	13	12	60	15	12V Integral Resistor	-55 °C to +100 °C
0203	Green	565	8	13	12	60	15		-20 °C to +85 °C
0303	Yellow	583	8	13	12	60	15		-40 °C to +85 °C
5904	Yellow	592	3100	20	24	15	50	24V Integral Resistor	-30 °C to +85 °C
6104	Red	635	2100	20	24	15	50		-30 °C to +85 °C
6204	Green	525	14800	20	24	30	50		-30 °C to +85 °C
3001	Red / Green	660/565	90/40	20	1.8/2.1	60	40/30	2 leaded Bi-color	-55 °C to +100 °C
3201	Yellow / Green	589/571	30/50	20	2.1/2.1	50	20		-30 °C to +85 °C
3501	Red / Green	635/565	5.0/8.0	10	2.1/2.3	65	30	3 leaded Bi-color	-20 °C to +85 °C
3601	Yellow / Green	590/568	9/13.5	10	2/2.1	65	30		-20 °C to +85 °C



Dialight reserves the right to make changes at any time in order to supply the best product possible. The most current version of this document will always be available at: [www.dialightsignalsandcomponents.com](http://www.dialightsignalsandcomponents.com)

Warranty Statement: Except for the warranty expressly provided for at: [www.dialight.com/resources/warranties/](http://www.dialight.com/resources/warranties/), Dialight disclaims any and all other warranties, express or implied, including, without limitation, any warranties of merchantability, fitness for a particular purpose, title, and noninfringement.



## 605 SERIES 5mm Panel Mount Indicators

### MECHANICAL / SPECIFICATIONS

MOUNTING HOLE SIZE:  
0.205" (5.2 mm)

MAX PANEL THICKNESS:  
0.138" (3.5 mm)

MOUNTING TORQUE:  
0.362 lbs/ft (5 kg/cm)

VOLTAGE OPTIONS:  
2VDC (resistor required)

ELECTRICAL CONNECTION:  
Through hole leads\*

HOUSING:  
Brass-Chrome plated

TERMINALS:  
Copper-Nickel Plated

LOCK WASHER:  
Steel-Nickel Plated

NUT:  
Brass-Nickel Plated

\*LED leads are always insulated  
from indicator housing.

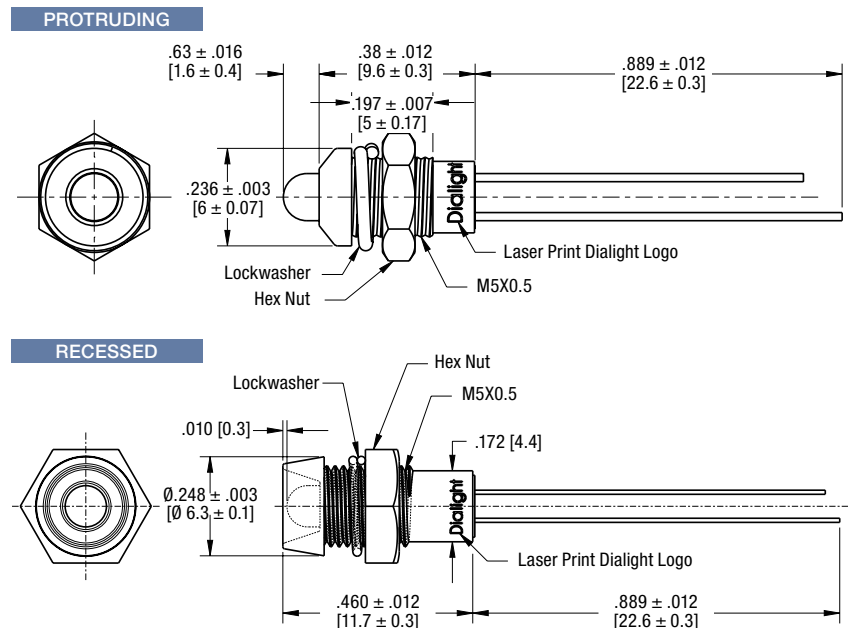
CERTIFICATIONS & RATINGS  
RoHS compliant

### APPLICATION

The 605 Series LED Panel Mount Indicators are designed for a variety of applications such as.

- Main power indication
- Remote power indication
- Status indication
- Maintenance and warning indication
- Instrumentation

### DIMENSIONS inches [mm]



*These indicators are non-polarized*

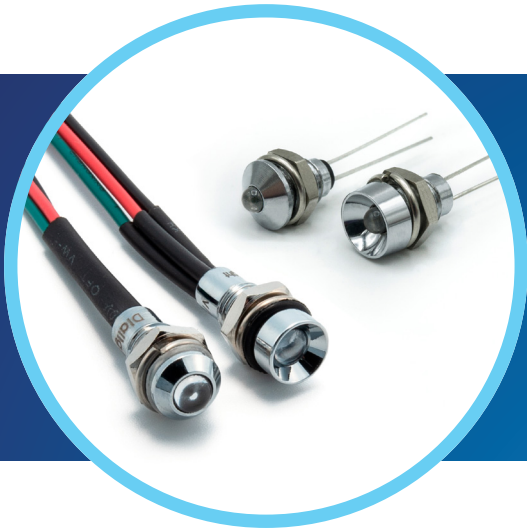
ORDERING INFORMATION

Part Number	Color	Voltage (V DC)	Current (mA)	Intensity (mcd)		LED Position	Finish	Operating Temperature	Storage Temperature
				Min.	Max.				
<a href="#">605-1111-110F</a>	● Red	2	30	460	780	Protruding	Chrome	-40 °C to +85 °C	-40 °C to +100 °C
<a href="#">605-1211-110F</a>	● Green	3		2000	3000				
<a href="#">605-1311-110F</a>	● Yellow	2		460	780				
<a href="#">605-2111-110F</a>	● Red	2	20	400	600	Recessed		-40 °C to +85 °C	-40 °C to +85 °C
<a href="#">605-2211-110F</a>	● Green	3		900	1400				
<a href="#">605-2311-110F</a>	● Yellow	2		400	600				



Dialight reserves the right to make changes at any time in order to supply the best product possible. The most current version of this document will always be available at: [www.dialightsignalsandcomponents.com](http://www.dialightsignalsandcomponents.com)

Warranty Statement: Except for the warranty expressly provided for at: [www.dialight.com/resources/warranties/](http://www.dialight.com/resources/warranties/), Dialight disclaims any and all other warranties, express or implied, including, without limitation, any warranties of merchantability, fitness for a particular purpose, title, and noninfringement.



## 606 SERIES 6mm Panel Mount Indicators

### MECHANICAL / SPECIFICATIONS

MOUNTING HOLE SIZE:  
0.244" (6.2 mm)

MAX PANEL THICKNESS:  
0.138" (3.5 mm)

MOUNTING TORQUE:  
0.362 lbs/ft (5 kg/cm) torque

VOLTAGE OPTIONS:  
2, 3, 6 and 12 V DC

SINGLE-COLOR: Resistor Required

BI-COLOR: No Resistor Required

OPERATING TEMP:  
-25 °C to +85 °C (-13 °F to +185 °F)

STORAGE TEMP:  
-25 °C to +100 °C (-13 °F to +212 °F)

ELECTRICAL CONNECTION:

Through hole and 26 AWG wire leads (bi-color only)

HOUSING:  
Brass–Chrome Plated

TERMINALS:  
Copper–Nickel Plated

WIRE LEADS:  
6" on bi-color only

LOCK WASHER:  
Iron–Nickel Plated

NUT:  
Brass–Nickel Plated

### CERTIFICATIONS & RATINGS

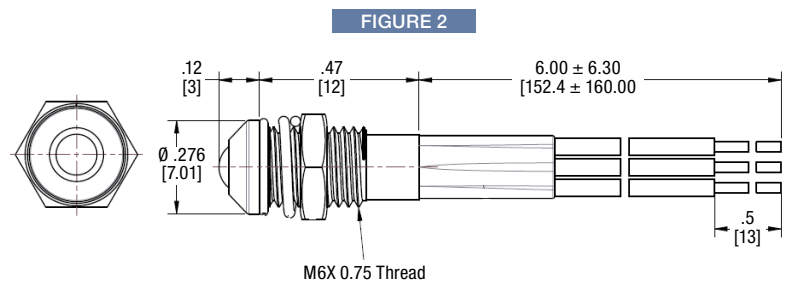
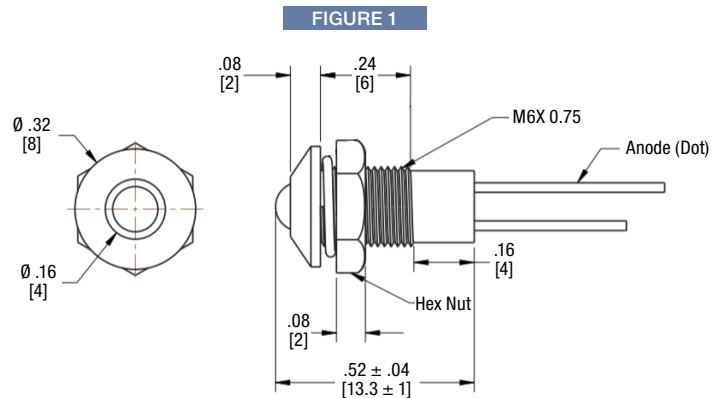
RoHS compliant

### APPLICATION

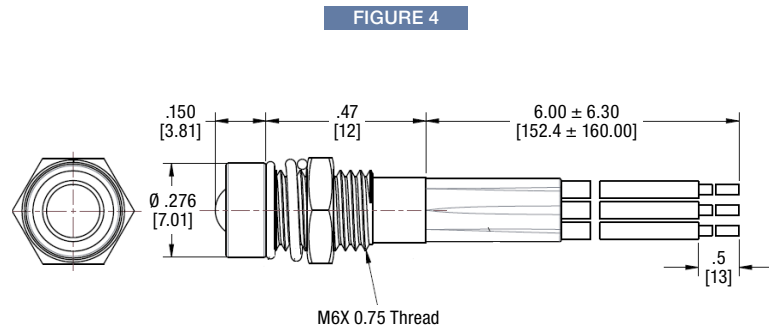
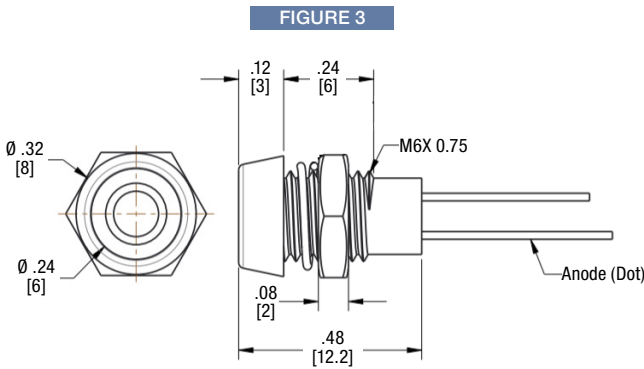
The 606 Series LED Panel Mount Indicators are designed for a variety of applications such as:

- Main power indication
- Remote power indication
- Status indication
- Maintenance and warning indication
- Instrumentation

### DIMENSIONS inches [mm]



DIMENSIONS (Cont'd) inches [mm]



ORDERING INFORMATION

Part Number	Color	Voltage (VDC)	Current (mA)	Typical Intensity* (mcd)	LED Position	Finish	Figure	
<a href="#">606-1111-110F</a>	Red	2	5	45	Protruding	Chrome	1	
<a href="#">606-1211-110F</a>	Green	3	15	70				
<a href="#">606-1311-110F</a>	Yellow	2		60			1 with wire leads	
<a href="#">606-1215-110F</a>	Green	3	70					
<a href="#">606-1415-110F</a>	Red/Green	3	10	1200/4000	Protruding Diffused	Chrome	2	
<a href="#">606-1415-120F</a>		6						
<a href="#">606-1415-130F</a>		12						
<a href="#">606-1415-210F</a>		2		100/400				Recess
<a href="#">606-1415-220F</a>		6						
<a href="#">606-1415-230F</a>		12						
<a href="#">606-2111-110F</a>	Red	2	5	45	Recess	3		
<a href="#">606-2211-110F</a>	Green	3	15	70				
<a href="#">606-2311-110F</a>	Yellow	2	60					
<a href="#">606-2415-110F</a>	Red/Green	3	10	1200/4000	Recessed Diffused	Chrome	4	
<a href="#">606-2415-120F</a>		6						
<a href="#">606-2415-130F</a>		12						
<a href="#">606-2415-210F</a>		2		100/400				Recessed Diffused
<a href="#">606-2415-220F</a>		6						
<a href="#">606-2415-230F</a>		12						

\*Bi-color intensity (Red/Green)  
 Single-color: Resistor required  
 Bi-color: No resistor required



Dialight reserves the right to make changes at any time in order to supply the best product possible. The most current version of this document will always be available at: [www.dialightsignalsandcomponents.com](http://www.dialightsignalsandcomponents.com)

Warranty Statement: Except for the warranty expressly provided for at: [www.dialight.com/resources/warranties/](http://www.dialight.com/resources/warranties/), Dialight disclaims any and all other warranties, express or implied, including, without limitation, any warranties of merchantability, fitness for a particular purpose, title, and noninfringement.



606 SERIES

# 6mm Expanded Temperature Range Panel Mount Indicators

**MECHANICAL / SPECIFICATIONS**

MOUNTING HOLE SIZE:  
0.244" (6.2 mm)

MAX PANEL THICKNESS:  
0.138" (3.5 mm)

MOUNTING TORQUE:  
0.362 lbs/ft (5 kg/cm) torque

VOLTAGE OPTIONS:  
3 VDC (resistor required)  
6, 12, 24, and 28 VDC  
(no resistor required)

OPERATING TEMP:  
-40 °C to +85 °C (-40 °F to +185 °F)

STORAGE TEMP:  
-40 °C to +100 °C (-40 °F to +212 °F)

ELECTRICAL CONNECTION:  
26 AWG wire leads

HOUSING:  
Stainless Steel  
WIRE LEADS:  
6" -(26 AWG)  
LOCK WASHER:  
Iron-Nickel Plated  
NUT:  
Brass-Nickel Plated

**CERTIFICATIONS & RATINGS**

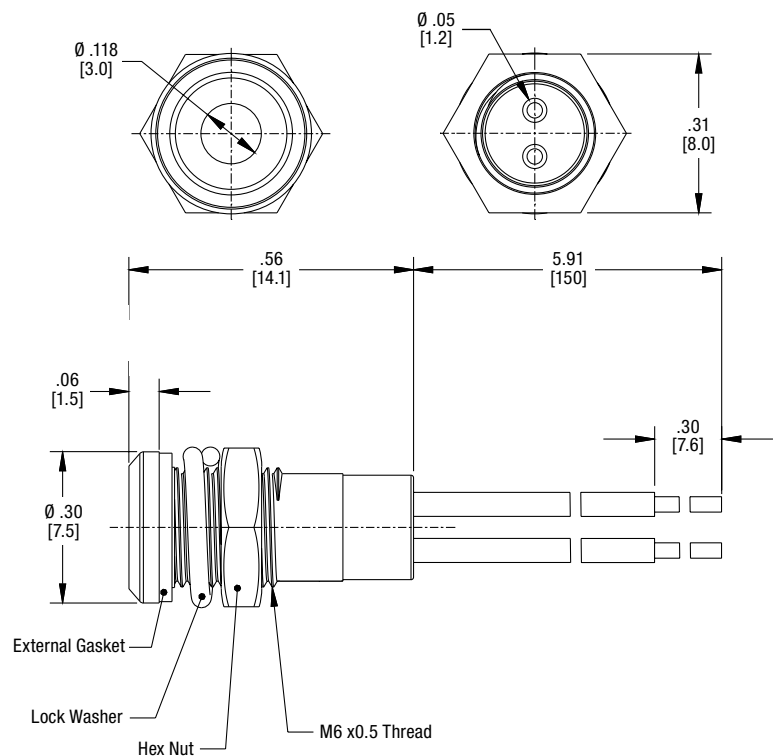
RoHS compliant  
IP66

**APPLICATION**

The 606 Series LED Panel Mount Indicators are designed for a variety of applications such as:

- Main power indication
- Remote power indication
- Status indication
- Maintenance and warning indication
- Instrumentation

**DIMENSIONS** inches [mm]



ORDERING INFORMATION

Part Number	Color	Voltage (VDC)	Current (mA)	Typical Intensity* (mcd)
<a href="#">606-3115-110F</a>	● Red	3	15	620
<a href="#">606-3215-110F</a>	● Green			2500
<a href="#">606-3315-110F</a>	● Yellow			620
<a href="#">606-3415-110F</a>	● Blue			620
<a href="#">606-3115-120F</a>	● Red	6		620
<a href="#">606-3215-120F</a>	● Green			2500
<a href="#">606-3315-120F</a>	● Yellow			620
<a href="#">606-3415-120F</a>	● Blue			620
<a href="#">606-3115-130F</a>	● Red	12		620
<a href="#">606-3215-130F</a>	● Green			2500
<a href="#">606-3315-130F</a>	● Yellow			620
<a href="#">606-3415-130F</a>	● Blue			620
<a href="#">606-3115-140F</a>	● Red	24		620
<a href="#">606-3215-140F</a>	● Green			2500
<a href="#">606-3315-140F</a>	● Yellow			620
<a href="#">606-3415-140F</a>	● Blue			620
<a href="#">606-3115-150F</a>	● Red	28	620	
<a href="#">606-3215-150F</a>	● Green		2500	
<a href="#">606-3315-150F</a>	● Yellow		620	
<a href="#">606-3415-150F</a>	● Blue		620	



Dialight reserves the right to make changes at any time in order to supply the best product possible. The most current version of this document will always be available at: [www.dialightsignalsandcomponents.com](http://www.dialightsignalsandcomponents.com)

Warranty Statement: Except for the warranty expressly provided for at: [www.dialight.com/resources/warranties/](http://www.dialight.com/resources/warranties/), Dialight disclaims any and all other warranties, express or implied, including, without limitation, any warranties of merchantability, fitness for a particular purpose, title, and noninfringement.



## 607 SERIES 7mm Panel Mount Indicators

### MECHANICAL / SPECIFICATIONS

MOUNTING HOLE SIZE:  
0.283" (7.2 mm)

MAX PANEL THICKNESS: See part numbers

MOUNTING TORQUE:  
0.362 lbs/ft (5 kg/cm)  
0.217 lbs/ft or 3 kg/cm (Figure 5 only)

VOLTAGE OPTIONS:  
2 VDC and 3 VDC (resistor required)  
6, 12 and 24 VDC (no resistor required)

ELECTRICAL CONNECTION:  
Solder terminals

HOUSING:  
Protruding and recessed positions:  
Brass-Chrome Plated

INTERNAL POSITION: Polycarbonate

TERMINALS:  
Copper-Nickel Plated

LOCK WASHER:  
Iron-Nickel Plated

NUT:  
Brass-Nickel Plated

### CERTIFICATIONS & RATINGS

RoHS compliant  
NEMA 4X (Watertight only)  
IP66 (Watertight only)

### APPLICATION

The 607 Series LED Panel Mount Indicators are designed for a variety of applications such as:

- Main power indication
- Remote power indication
- Status indication
- Maintenance and warning indication
- Instrumentation

### DIMENSIONS inches [mm]

FIGURE 1 - PROTRUDING - Non-Polarized

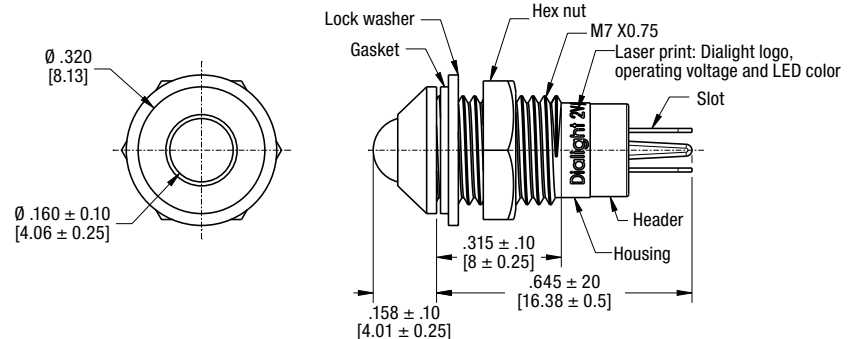
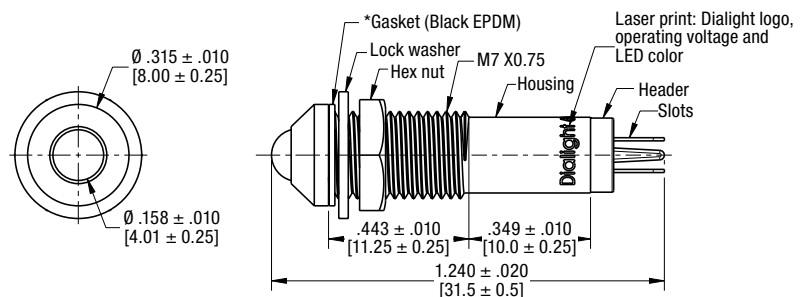


FIGURE 2 - PROTRUDING - Non-Polarized



\*Gasket only available on part number 607-1X12-3X0F

DIMENSIONS (Cont'd) inches [mm]

FIGURE 3 - RECESSED - Non-Polarized

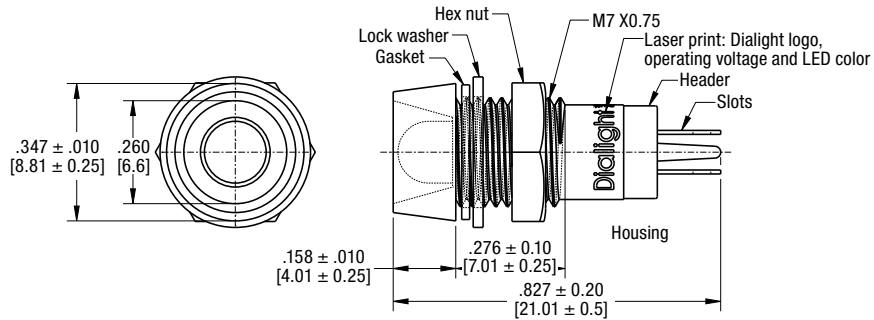
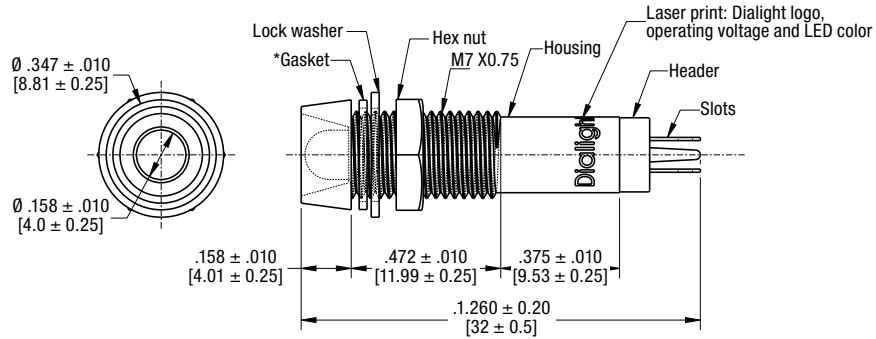
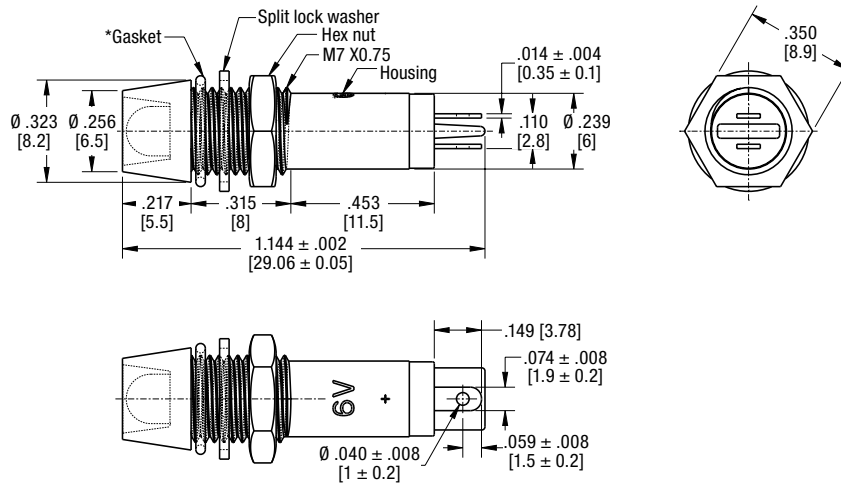


FIGURE 4 - RECESSED - Non-Polarized



\*Gasket only available on part number 607-2X12-3X0F

FIGURE 5 - INTERNAL - Polarized



\*Gasket only available on part number 607-3X32-3X0F

ORDERING INFORMATION

STANDARD WATERTIGHT

Part Number	Part Number	Color	Voltage (VDC)	Current (mA)	Intensity Typ. (mcd)	LED Positions	Polarity	Panel Thickness	Operating Temperature	Storage Temperature
-------------	-------------	-------	---------------	--------------	----------------------	---------------	----------	-----------------	-----------------------	---------------------

Figure 1

<a href="#">607-1112-110F</a>	<a href="#">607-1112-310F</a>	Red	2	20	40	Protruding	Non-Polarized	0.187" (4.75 mm)	-40°C to +85°C	-40°C to +85°C
<a href="#">607-1212-110F</a>	<a href="#">607-1212-310F</a>	Green	3		65				-40°C to +85°C	-40°C to +85°C
<a href="#">607-1312-110F</a>	<a href="#">607-1312-310F</a>	Yellow	2		55				-25°C to +85°C	-25°C to +85°C

Figure 2

<a href="#">607-1112-120F</a>	<a href="#">607-1112-320F</a>	Red	6	20	40	Protruding	Non-Polarized	0.265" (6.75 mm)	-40°C to +85°C	-40°C to +85°C
<a href="#">607-1212-120F</a>	<a href="#">607-1212-320F</a>	Green			65				-40°C to +85°C	-40°C to +85°C
<a href="#">607-1312-120F</a>	<a href="#">607-1312-320F</a>	Yellow			55				-25°C to +85°C	-25°C to +85°C
<a href="#">607-1112-130F</a>	<a href="#">607-1112-330F</a>	Red	12	20	40	Protruding	Non-Polarized	0.265" (6.75 mm)	-40°C to +85°C	-40°C to +85°C
<a href="#">607-1212-130F</a>	<a href="#">607-1212-330F</a>	Green			65				-40°C to +85°C	-40°C to +85°C
<a href="#">607-1312-130F</a>	<a href="#">607-1312-330F</a>	Yellow			55				-25°C to +85°C	-25°C to +85°C

Figure 3

<a href="#">607-2112-110F</a>	<a href="#">607-2112-310F</a>	Red	2	20	65	Recessed	Non-Polarized	0.136" (3.45 mm)	-40°C to +85°C	-40°C to +85°C
<a href="#">607-2212-110F</a>	<a href="#">607-2212-310F</a>	Green	3		85				-40°C to +85°C	-40°C to +85°C
<a href="#">607-2312-110F</a>	<a href="#">607-2312-310F</a>	Yellow	2		70				-25°C to +85°C	-25°C to +85°C

Figure 4

<a href="#">607-2112-120F</a>	<a href="#">607-2112-320F</a>	Red	6	20	65	Recessed	Non-Polarized	0.336" (8.50 mm)	-40°C to +85°C	-40°C to +85°C
<a href="#">607-2212-120F</a>	<a href="#">607-2212-320F</a>	Green			85				-40°C to +85°C	-40°C to +85°C
<a href="#">607-2312-120F</a>	<a href="#">607-2312-320F</a>	Yellow			70				-25°C to +85°C	-25°C to +85°C
<a href="#">607-2112-130F</a>	<a href="#">607-2112-330F</a>	Red	12	20	65	Recessed	Non-Polarized	0.336" (8.50 mm)	-40°C to +85°C	-40°C to +85°C
<a href="#">607-2212-130F</a>	<a href="#">607-2212-330F</a>	Green			85				-40°C to +85°C	-40°C to +85°C
<a href="#">607-2312-130F</a>	<a href="#">607-2312-330F</a>	Yellow			70				-25°C to +85°C	-25°C to +85°C

Figure 5

<a href="#">607-3132-120F</a>	<a href="#">607-3132-320F</a>	Red	6	25	35	Internal	Polarized	0.187" (4.75 mm)	-40°C to +80°C	-40°C to +85°C
<a href="#">607-3232-120F</a>	<a href="#">607-3232-320F</a>	Green		30	45				-40°C to +85°C	-40°C to +85°C
<a href="#">607-3332-120F</a>	<a href="#">607-3332-320F</a>	Yellow		30	40				-40°C to +85°C	-40°C to +85°C
<a href="#">607-3132-130F</a>	<a href="#">607-3132-330F</a>	Red	12	25	35	Internal	Polarized	0.187" (4.75 mm)	-40°C to +80°C	-40°C to +85°C
<a href="#">607-3232-130F</a>	<a href="#">607-3232-330F</a>	Green		30	45				-40°C to +85°C	-40°C to +85°C
<a href="#">607-3332-130F</a>	<a href="#">607-3332-330F</a>	Yellow		30	40				-40°C to +85°C	-40°C to +85°C
<a href="#">607-3132-140F</a>	<a href="#">607-3132-340F</a>	Red	24	25	35	Internal	Polarized	0.187" (4.75 mm)	-40°C to +80°C	-40°C to +85°C
<a href="#">607-3232-140F</a>	<a href="#">607-3232-340F</a>	Green		30	45				-40°C to +85°C	-40°C to +85°C
<a href="#">607-3332-140F</a>	<a href="#">607-3332-340F</a>	Yellow		30	40				-40°C to +85°C	-40°C to +85°C



Dialight reserves the right to make changes at any time in order to supply the best product possible. The most current version of this document will always be available at: [www.dialightsignalsandcomponents.com](http://www.dialightsignalsandcomponents.com)

Warranty Statement: Except for the warranty expressly provided for at: [www.dialight.com/resources/warranties/](http://www.dialight.com/resources/warranties/), Dialight disclaims any and all other warranties, express or implied, including, without limitation, any warranties of merchantability, fitness for a particular purpose, title, and noninfringement.



## 608 SERIES 8mm Panel Mount Indicators

### MECHANICAL / SPECIFICATIONS

MOUNTING HOLE SIZE:  
0.323" (8.2 mm) (Fig. 1 & 2),

MAX PANEL THICKNESS: See part numbers

MOUNTING TORQUE:  
0.217 lbs/ft or 3 kg/cm

VOLTAGE OPTIONS:  
2 VDC (resistor required)

OPERATING TEMP:  
-25 °C to +85 °C (-13 °F to +185 °F)

STORAGE TEMP:  
-25 °C to +85 °C (-13 °F to +185 °F)

ELECTRICAL CONNECTION:  
Straight terminals (Fig. 1 & 2),

HOUSING:  
Polycarbonate

LOCK WASHER:  
Iron – Nickel Plated

NUT:  
Brass – Nickel Plated

### CERTIFICATIONS & RATINGS

RoHS compliant

### APPLICATION

The 608 Series LED Panel Mount Indicators are designed for a variety of applications such as.

- Main power indication
- Remote power indication
- Status indication
- Maintenance and warning indication
- Instrumentation

### DIMENSIONS inches [mm]

FIGURE 1

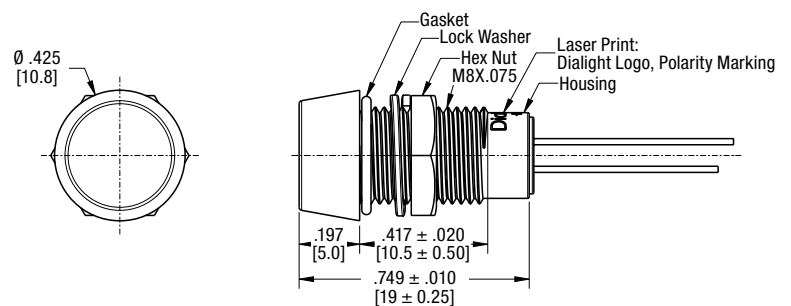
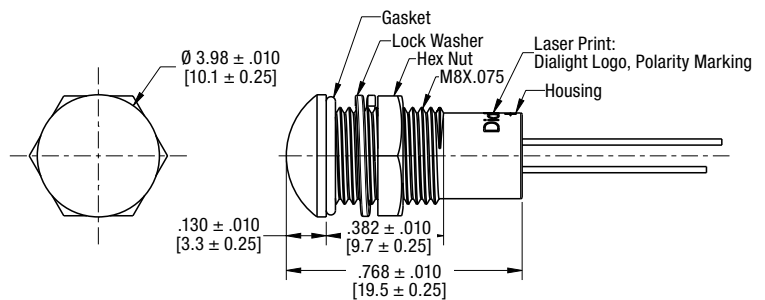


FIGURE 2



*These indicators are un-polarized*

ORDERING INFORMATION

LOCK WASHER AND NUT

Part Number	Color	Voltage (V DC)	Current (mA)	Typical Intensity (mcd)	Lens Shape	Figure	Panel Thickness
<a href="#">608-1131-110F</a>	● Red	2	15	25	Domed	1 2	0.236" (6 mm)
<a href="#">608-1231-110F</a>	● Green			30			
<a href="#">608-1331-110F</a>	● Yellow			15			
<a href="#">608-3131-110F</a>	● Red			25	Flat		
<a href="#">608-3231-110F</a>	● Green			30			
<a href="#">608-3331-110F</a>	● Yellow			15			



Dialight reserves the right to make changes at any time in order to supply the best product possible. The most current version of this document will always be available at: [www.dialightsignalsandcomponents.com](http://www.dialightsignalsandcomponents.com)

Warranty Statement: Except for the warranty expressly provided for at: [www.dialight.com/resources/warranties/](http://www.dialight.com/resources/warranties/), Dialight disclaims any and all other warranties, express or implied, including, without limitation, any warranties of merchantability, fitness for a particular purpose, title, and noninfringement.



## 609 SERIES 9mm Panel Mount Indicators

### MECHANICAL / SPECIFICATIONS

MOUNTING HOLE SIZE:  
0.374" (9.5 mm)

MAX PANEL THICKNESS:  
0.374" (9.5 mm);  
with Gasket: 0.318" (8.0 mm)

MOUNTING TORQUE:  
0.362 lbs/ft (5 kg/cm)

VOLTAGE OPTIONS:  
6, 12 & 24 V DC (no resistor required)

OPERATING TEMP:  
-30 °C to +85 °C (-22 °F to +185 °F)

STORAGE TEMP:  
-40 °C to +85 °C (-40 °F to +185 °F)

ELECTRICAL CONNECTION:  
Solder terminals

HOUSING:  
Brass-Chrome or Black Plated

TERMINALS:  
Copper-Nickel Plated

LOCK WASHER:  
Iron-Nickel Plated

NUT:  
Brass-Nickel Plated

### CERTIFICATIONS & RATINGS

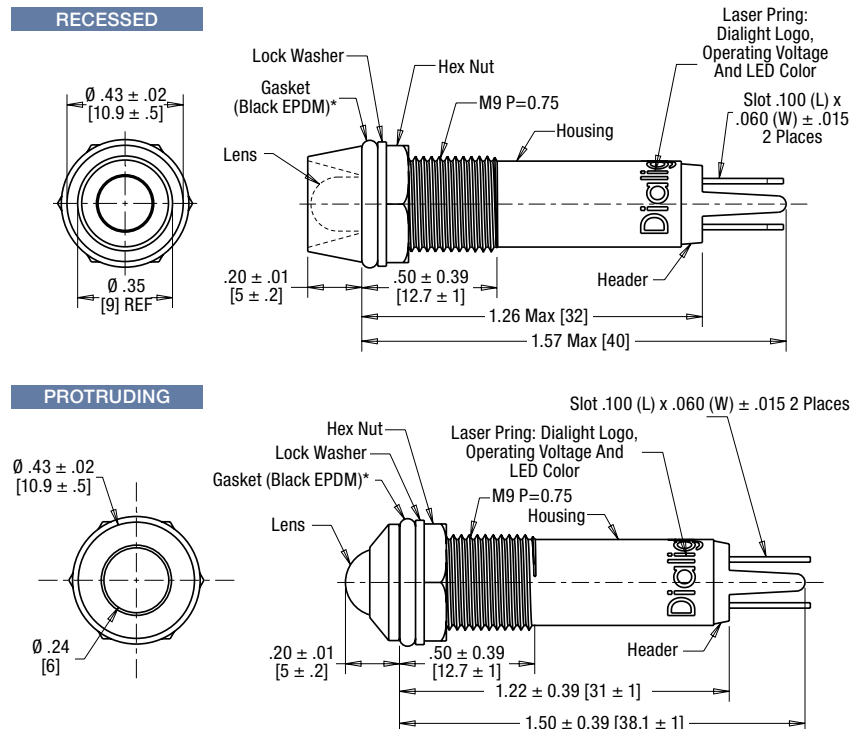
RoHS compliant  
NEMA 4X (Watertight only)  
IP66 (Watertight only)

### APPLICATION

The 609 Series LED Panel Mount Indicators are designed for a variety of applications such as:

- Main power indication
- Remote power indication
- Status indication
- Maintenance and warning indication
- Instrumentation

### DIMENSIONS inches [mm]



These indicators are un-polarized  
\*Gasket only available on 609-1X12-3X0F

ORDERING INFORMATION

PROTRUDING LED

Part Number	Part Number	Color	Voltage (V DC)	Current (mA)	Intensity Typ. (mcd)	Plating
Standard	Watertight					
<a href="#">609-1112-120F</a>	<a href="#">609-1112-320F</a>	● Red	6	15	85	Chrome
<a href="#">609-1212-120F</a>	<a href="#">609-1212-320F</a>	● Green			115	
<a href="#">609-1312-120F</a>	<a href="#">609-1312-320F</a>	● Yellow			90	
<a href="#">609-1112-130F</a>	<a href="#">609-1112-330F</a>	● Red	12		85	
<a href="#">609-1212-130F</a>	<a href="#">609-1212-330F</a>	● Green			115	
<a href="#">609-1312-130F</a>	<a href="#">609-1312-330F</a>	● Yellow			90	
<a href="#">609-1112-140F</a>	<a href="#">609-1112-340F</a>	● Red	24		85	
<a href="#">609-1212-140F</a>	<a href="#">609-1212-340F</a>	● Green			115	
<a href="#">609-1312-140F</a>	<a href="#">609-1312-340F</a>	● Yellow			90	
<a href="#">609-1122-120F</a>	<a href="#">609-1122-320F</a>	● Red	6		85	Black
<a href="#">609-1222-120F</a>	<a href="#">609-1222-320F</a>	● Green			115	
<a href="#">609-1322-120F</a>	<a href="#">609-1322-320F</a>	● Yellow			90	
<a href="#">609-1122-130F</a>	<a href="#">609-1122-330F</a>	● Red	12		85	
<a href="#">609-1222-130F</a>	<a href="#">609-1222-330F</a>	● Green			115	
<a href="#">609-1322-130F</a>	<a href="#">609-1322-330F</a>	● Yellow			90	
<a href="#">609-1122-140F</a>	<a href="#">609-1122-340F</a>	● Red	24	85		
<a href="#">609-1222-140F</a>	<a href="#">609-1222-340F</a>	● Green		115		
<a href="#">609-1322-140F</a>	<a href="#">609-1322-340F</a>	● Yellow		90		

RECESSED LED

<a href="#">609-2112-120F</a>	<a href="#">609-2112-320F</a>	● Red	6	15	85	Chrome
<a href="#">609-2212-120F</a>	<a href="#">609-2212-320F</a>	● Green			115	
<a href="#">609-2312-120F</a>	<a href="#">609-2312-320F</a>	● Yellow			90	
<a href="#">609-2112-130F</a>	<a href="#">609-2112-330F</a>	● Red	12		85	
<a href="#">609-2212-130F</a>	<a href="#">609-2212-330F</a>	● Green			115	
<a href="#">609-2312-130F</a>	<a href="#">609-2312-330F</a>	● Yellow			90	
<a href="#">609-2112-140F</a>	<a href="#">609-2112-340F</a>	● Red	24		85	
<a href="#">609-2212-140F</a>	<a href="#">609-2212-340F</a>	● Green			115	
<a href="#">609-2312-140F</a>	<a href="#">609-2312-340F</a>	● Yellow			90	
<a href="#">609-2122-120F</a>	<a href="#">609-2122-320F</a>	● Red	6		85	Black
<a href="#">609-2222-120F</a>	<a href="#">609-2222-320F</a>	● Green			115	
<a href="#">609-2322-120F</a>	<a href="#">609-2322-320F</a>	● Yellow			90	
<a href="#">609-2122-130F</a>	<a href="#">609-2122-330F</a>	● Red	12		85	
<a href="#">609-2222-130F</a>	<a href="#">609-2222-330F</a>	● Green			115	
<a href="#">609-2322-130F</a>	<a href="#">609-2322-330F</a>	● Yellow			90	
<a href="#">609-2122-140F</a>	<a href="#">609-2122-340F</a>	● Red	24	85		
<a href="#">609-2222-140F</a>	<a href="#">609-2222-340F</a>	● Green		115		
<a href="#">609-2322-140F</a>	<a href="#">609-2322-340F</a>	● Yellow		90		



Dialight reserves the right to make changes at any time in order to supply the best product possible. The most current version of this document will always be available at: [www.dialightsignalsandcomponents.com](http://www.dialightsignalsandcomponents.com)

Warranty Statement: Except for the warranty expressly provided for at: [www.dialight.com/resources/warranties/](http://www.dialight.com/resources/warranties/), Dialight disclaims any and all other warranties, express or implied, including, without limitation, any warranties of merchantability, fitness for a particular purpose, title, and noninfringement.



## 612 SERIES 12 mm Panel Mount Indicators

### MECHANICAL / SPECIFICATIONS

MOUNTING HOLE SIZE:  
0.492" (12.5 mm)

MAX PANEL THICKNESS:  
0.236" (6.0 mm)

MOUNTING TORQUE:  
0.217 lbs/ft (3 kg/cm)

VOLTAGE OPTIONS:  
6, 12 & 24 VDC (no resistor required)

OPERATING TEMP:  
-25 °C to +85 °C (-13 °F to +185 °F)

STORAGE TEMP:  
-25 °C to +100 °C (-13 °F to +212 °F)

#### ELECTRICAL CONNECTION:

Solder terminals

HOUSING:  
Polycarbonate

TERMINALS:  
Copper—Nickel Plated

LOCK WASHER:  
Iron—Nickel Plated

NUT:  
Brass—Nickel Plated

### CERTIFICATIONS & RATINGS

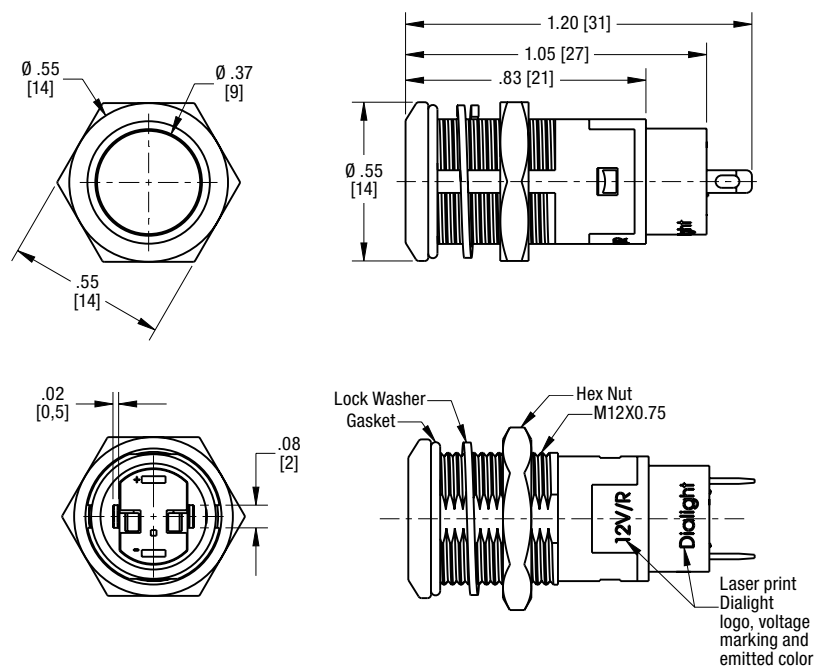
RoHS compliant

### APPLICATION

The 612 Series LED Panel Mount Indicators are designed for a variety of applications such as:

- Main power indication
- Remote power indication
- Status indication
- Maintenance and warning indication
- Instrumentation

### DIMENSIONS inches [mm]



These indicators are un-polarized

ORDERING INFORMATION

Part Number	Color	Voltage (V DC)	Current (mA)	Intensity Typ. (mcd)
<a href="#">612-3132-120F</a>	● Red	6	15	65
<a href="#">612-3232-120F</a>	● Green			110
<a href="#">612-3332-120F</a>	● Yellow			80
<a href="#">612-3132-130F</a>	● Red	12		65
<a href="#">612-3232-130F</a>	● Green			110
<a href="#">612-3332-130F</a>	● Yellow			80
<a href="#">612-3132-140F</a>	● Red	24		65
<a href="#">612-3232-140F</a>	● Green			110
<a href="#">612-3332-140F</a>	● Yellow			80



Dialight reserves the right to make changes at any time in order to supply the best product possible. The most current version of this document will always be available at: [www.dialightsignalsandcomponents.com](http://www.dialightsignalsandcomponents.com)

Warranty Statement: Except for the warranty expressly provided for at: [www.dialight.com/resources/warranties/](http://www.dialight.com/resources/warranties/), Dialight disclaims any and all other warranties, express or implied, including, without limitation, any warranties of merchantability, fitness for a particular purpose, title, and noninfringement.



## 620 SERIES 8mm Heavy Duty Panel Mount Indicators

### MECHANICAL / SPECIFICATIONS

MOUNTING HOLE SIZE:  
0.323" (8.2 mm)

MAX PANEL THICKNESS:  
0.394" (10 mm)

MOUNTING TORQUE:  
8 lbs-in (1Nm)

OPERATING VOLTAGE:  
3 VDC  
6, 12 & 24 VDC  
(internal resistor included)

OPERATING TEMP:  
-25 °C to +70 °C (-13 °F to 158 °F)

STORAGE TEMP:  
-25 °C to +70 °C (-13 °F to 158 °F)

ELECTRICAL CONNECTION:  
Solder terminals

HOUSING: Stainless Steel

TERMINALS: Stainless Steel

NUT: Stainless Steel

### CERTIFICATIONS & RATINGS

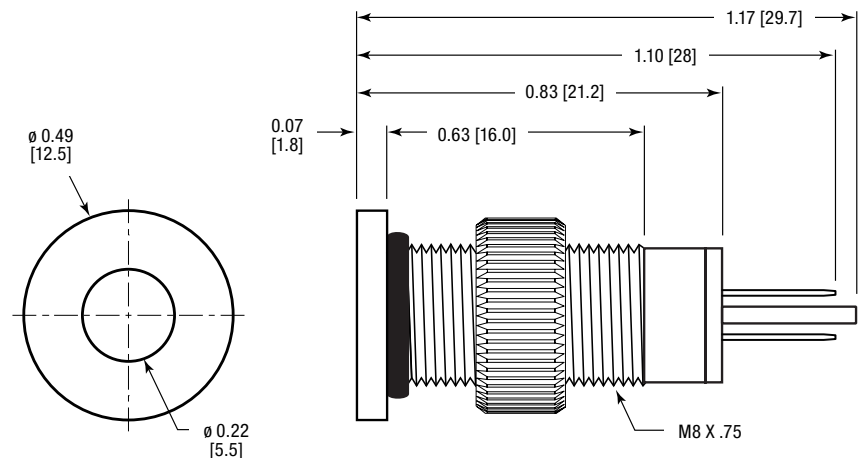
RoHS compliant  
IP66/IP67  
IK10  
NEMA 4X

### APPLICATION

The 620 Series Heavy Duty LED Panel Mount Indicators are elegantly designed for a high-end aesthetic paired with sturdy construction. These indicators are non-magnetic, corrosion resistant for both indoor and outdoor use, and secured to prevent dirt, dust, and water penetration. Ideal for a variety of applications such as:

- Instrumentation
- Navigation
- Industrial panels
- Communications
- Warning lights
- Main power indication
- Remote power indication
- Status indication
- Maintenance and warning indication

### DIMENSIONS inches [mm]



These indicators are un-polarized.

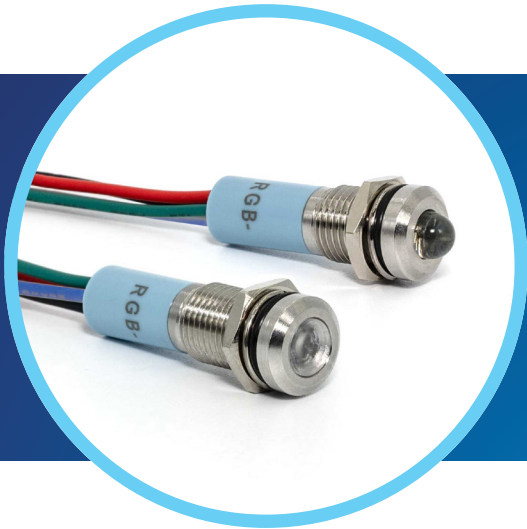
ORDERING INFORMATION

Part Number	Color	Voltage (VDC)	Current (mA)	Typical Intensity (mcd)
<a href="#">620-1101-304F</a>	● Red	3	15	200
<a href="#">620-1201-304F</a>	● Green			250
<a href="#">620-1301-304F</a>	● Yellow			350
<a href="#">620-1401-304F</a>	● Blue			300
<a href="#">620-1102-304F</a>	● Red	6		200
<a href="#">620-1202-304F</a>	● Green			250
<a href="#">620-1302-304F</a>	● Yellow			350
<a href="#">620-1402-304F</a>	● Blue			300
<a href="#">620-1103-304F</a>	● Red	12		200
<a href="#">620-1203-304F</a>	● Green			250
<a href="#">620-1303-304F</a>	● Yellow			350
<a href="#">620-1403-304F</a>	● Blue			300
<a href="#">620-1104-304F</a>	● Red	24		200
<a href="#">620-1204-304F</a>	● Green			250
<a href="#">620-1304-304F</a>	● Yellow			350
<a href="#">620-1404-304F</a>	● Blue			300



Dialight reserves the right to make changes at any time in order to supply the best product possible. The most current version of this document will always be available at: [www.dialightsignalsandcomponents.com](http://www.dialightsignalsandcomponents.com)

Warranty Statement: Except for the warranty expressly provided for at: [www.dialight.com/resources/warranties/](http://www.dialight.com/resources/warranties/), Dialight disclaims any and all other warranties, express or implied, including, without limitation, any warranties of merchantability, fitness for a particular purpose, title, and noninfringement.



## 620 SERIES

# 8mm Heavy Duty Bi- and Tri-Color Panel Mount Indicators

### MECHANICAL / SPECIFICATIONS

MOUNTING HOLE SIZE:  
.323" (8.2mm)

MAX PANEL THICKNESS:  
.197" (5mm)

MOUNTING TORQUE:  
8 lbs-in (1Nm)

OPERATING VOLTAGE:  
3VDC, 12VDC, 24VDC

OPERATING TEMP:  
-40°C-70° (-40°F-158°F)

STORAGE TEMP:  
-40°C-70° (-40°F-158°F)

ELECTRICAL CONNECTION:  
26AWG UL 1007 wire leads  
Common cathode

HOUSING:  
Stainless steel

NUTS:  
Stainless steel

### CERTIFICATIONS & RATINGS

RoHS compliant  
IP67  
IK10

### FEATURES & BENEFITS

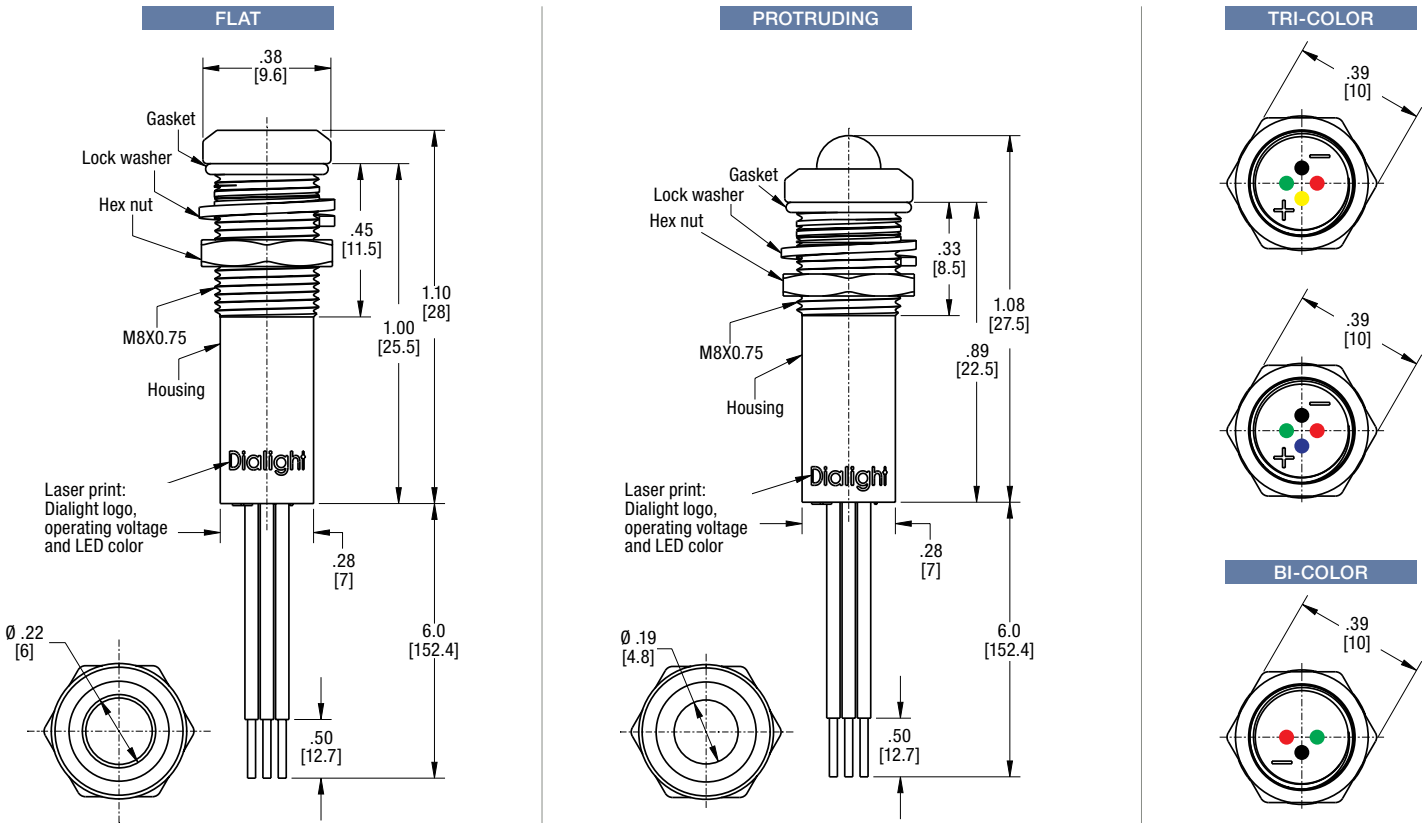
- RoHS Compliant
- IP67 rating
- IK10 rating
- Bi-color and tri-color options
- High brightness level for increasing visibility

### APPLICATION

The 620 Series Heavy Duty LED Panel Mount Indicators are elegantly designed for a high-end aesthetic paired with sturdy construction. These indicators are non-magnetic, corrosion resistant for both indoor and outdoor use, and secured to prevent dirt, dust, and water penetration. Ideal for a variety of applications such as:

- Main power indication
  - Remote power indication
  - Status indication
  - Maintenance and warning indication
  - Instrumentation
- ... and many more!

DIMENSIONS inches [mm]



LED Type	Black Wire	Red Wire	Green Wire	Yellow/Blue Wire
Tri-Color (RGY)	Common Cathode	Red Anode	Green Anode	Yellow Anode
Tri-Color (RGB)	Common Cathode	Red Anode	Green Anode	Blue Anode
Bi-Color (RG)	Common Cathode	Red Anode	Green Anode	N/A

ORDERING INFORMATION

Part Number	Color	Voltage (VDC)	Lens	Current (mA)	Typical Intensity (mcd)
620-1141-317F	Tri-Color ● Red ● Green ● Yellow	3V	Transparent, Flat	15mA	1200
620-1143-317F		12V			2500
620-1144-317F		24V			800
620-1121-317F	Tri-Color ● Red ● Green ● Blue	3V			1000
620-1123-317F		12V			1500
620-1124-317F		24V			700
620-1141-117F	Tri-Color ● Red ● Green ● Yellow	3V	Transparent, Protruding	15mA	5000
620-1143-117F		12V			3000
620-1144-117F		24V			6500
620-1121-117F	Tri-Color ● Red ● Green ● Blue	3V			5000
620-1123-117F		12V			4000
620-1124-117F		24V			2000
620-1111-317F	Bi-Color ● Red ● Green	3V	Transparent, Flat	15mA	1000
620-1113-317F		12V			1500
620-1114-317F		24V			
620-1111-117F	Bi-Color ● Red ● Green	3V	Transparent, Protruding	15mA	1000
620-1113-117F		12V			1500
620-1114-117F		24V			



Dialight reserves the right to make changes at any time in order to supply the best product possible. The most current version of this document will always be available at: [www.dialightsignalsandcomponents.com](http://www.dialightsignalsandcomponents.com)

Warranty Statement: Except for the warranty expressly provided for at: [www.dialight.com/resources/warranties/](http://www.dialight.com/resources/warranties/), Dialight disclaims any and all other warranties, express or implied, including, without limitation, any warranties of merchantability, fitness for a particular purpose, title, and noninfringement.



## 621 SERIES 22 mm Heavy Duty Tri-Color Panel Mount Indicators

### MECHANICAL / SPECIFICATIONS

MOUNTING HOLE SIZE:  
0.866" (22 mm)

MAX PANEL THICKNESS:  
0.394" (10 mm)

MOUNTING TORQUE:  
8 lbs-in (1Nm)

OPERATING VOLTAGE:  
3, 6, 12 & 24 VDC  
(internal resistor included)

OPERATING TEMP:  
-25 °C to +70 °C (-13 °F to 158 °F)

STORAGE TEMP:  
-25 °C to +70 °C (-13 °F to 158 °F)

ELECTRICAL CONNECTION:  
Solder terminals, Common Cathode

HOUSING:  
Stainless Steel

TERMINALS:  
Stainless Steel

NUT:  
Stainless Steel

### CERTIFICATIONS & RATINGS

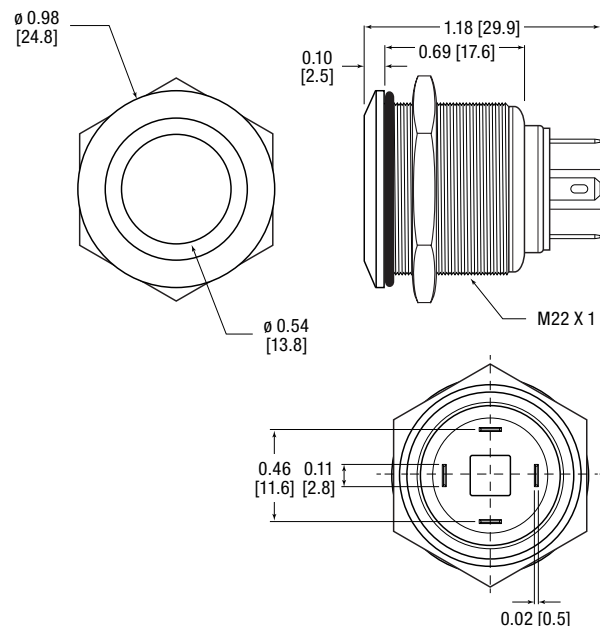
RoHS compliant  
IP66/IP67  
IK10  
NEMA 4X

### APPLICATION

The 621 Series Heavy Duty LED Panel Mount Indicators are elegantly designed for a high-end aesthetic paired with sturdy construction. These indicators are non-magnetic, corrosion resistant for both indoor and outdoor use, and secured to prevent dirt, dust, and water penetration. Ideal for a variety of applications such as:

- Main power indication
- Remote power indication
- Status indication
- Maintenance and warning indication
- Instrumentation

### DIMENSIONS inches [mm]



Please use the markings on the housing to properly connect this part for normal operation.

ORDERING INFORMATION

DIFFUSED LENS

Part Number	Tri-Color	Voltage (V DC)	Current (mA)	Intensity Typ. (mcd)
<a href="#">621-1121-304F</a>	<ul style="list-style-type: none"> <li>● Red</li> <li>● Green</li> <li>● Blue</li> </ul>	3	15	<ul style="list-style-type: none"> <li>● Red 200</li> <li>● Green 250</li> <li>● Blue 300</li> </ul>
<a href="#">621-1122-304F</a>		6		
<a href="#">621-1123-304F</a>		12		
<a href="#">621-1124-304F</a>		24		
<a href="#">621-1141-304F</a>	<ul style="list-style-type: none"> <li>● Red</li> <li>● Green</li> <li>● Yellow</li> </ul>	3	15	<ul style="list-style-type: none"> <li>● Red 115</li> <li>● Green 110</li> <li>● Yellow 435</li> </ul>
<a href="#">621-1142-304F</a>		6		
<a href="#">621-1143-304F</a>		12		
<a href="#">621-1144-304F</a>		24		

CLEAR LENS

<a href="#">621-1121-314F</a>	<ul style="list-style-type: none"> <li>● Red</li> <li>● Green</li> <li>● Blue</li> </ul>	3	15	<ul style="list-style-type: none"> <li>● Red 200</li> <li>● Green 250</li> <li>● Blue 300</li> </ul>
<a href="#">621-1122-314F</a>		6		
<a href="#">621-1123-314F</a>		12		
<a href="#">621-1124-314F</a>		24		
<a href="#">621-1141-314F</a>	<ul style="list-style-type: none"> <li>● Red</li> <li>● Green</li> <li>● Yellow</li> </ul>	3	15	<ul style="list-style-type: none"> <li>● Red 115</li> <li>● Green 110</li> <li>● Yellow 435</li> </ul>
<a href="#">621-1142-314F</a>		6		
<a href="#">621-1143-314F</a>		12		
<a href="#">621-1144-314F</a>		24		



Dialight reserves the right to make changes at any time in order to supply the best product possible. The most current version of this document will always be available at: [www.dialightsignalsandcomponents.com](http://www.dialightsignalsandcomponents.com)

Warranty Statement: Except for the warranty expressly provided for at: [www.dialight.com/resources/warranties/](http://www.dialight.com/resources/warranties/), Dialight disclaims any and all other warranties, express or implied, including, without limitation, any warranties of merchantability, fitness for a particular purpose, title, and noninfringement.



## 622 SERIES 22 mm Heavy Duty Panel Mount Indicators

### MECHANICAL / SPECIFICATIONS

MOUNTING HOLE SIZE:  
0.866" (22 mm)

MAX PANEL THICKNESS:  
0.394" (10 mm)

MOUNTING TORQUE:  
13 inlbs (1.5 Nm)

OPERATING VOLTAGE:  
3 VDC (external resistor required)  
6, 12 & 24 VDC  
(internal resistor included)

OPERATING TEMP:  
-25 °C to +70 °C (-13 °F to 158 °F)

STORAGE TEMP:  
-25 °C to +70 °C (-13 °F to 158 °F)

ELECTRICAL CONNECTION:  
Screw terminals

HOUSING:  
Stainless Steel

NUT:  
Stainless Steel

### CERTIFICATIONS & RATINGS

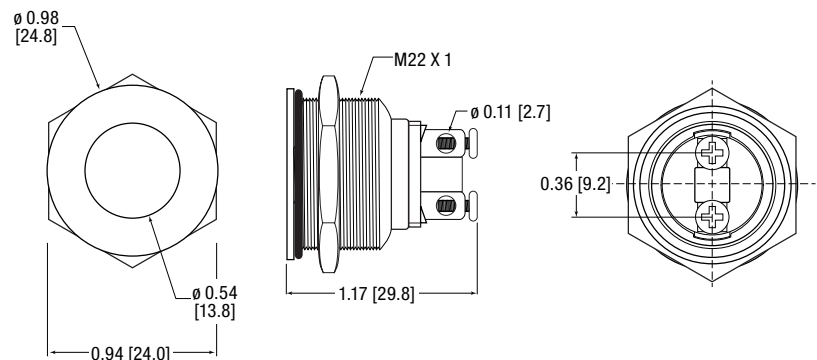
RoHS compliant  
IP66/IP67  
IK10  
NEMA 4X

### APPLICATION

The 622 Series Heavy Duty LED Panel Mount Indicators are elegantly designed for a high-end aesthetic paired with sturdy construction. These indicators are non-magnetic, corrosion resistant for both indoor and outdoor use, and secured to prevent dirt, dust, and water penetration. Ideal for a variety of applications such as:

- Main power indication
- Remote power indication
- Status indication
- Maintenance and warning indication
- Instrumentation

### DIMENSIONS inches [mm]



*These indicators are un-polarized*

ORDERING INFORMATION

Part Number	Color	Voltage (VDC)	Current (mA)	Typical Intensity (mcd)
<a href="#">622-1101-304F</a>	Red	3	15	200
<a href="#">622-1201-304F</a>	Green			250
<a href="#">622-1301-304F</a>	Yellow			350
<a href="#">622-1401-304F</a>	Blue			300
<a href="#">622-1102-304F</a>	Red	6		200
<a href="#">622-1202-304F</a>	Green			250
<a href="#">622-1302-304F</a>	Yellow			350
<a href="#">622-1402-304F</a>	Blue			300
<a href="#">622-1103-304F</a>	Red	12		200
<a href="#">622-1203-304F</a>	Green			250
<a href="#">622-1303-304F</a>	Yellow			350
<a href="#">622-1403-304F</a>	Blue			300
<a href="#">622-1104-304F</a>	Red	24	200	
<a href="#">622-1204-304F</a>	Green		250	
<a href="#">622-1304-304F</a>	Yellow		350	
<a href="#">622-1404-304F</a>	Blue		300	



Dialight reserves the right to make changes at any time in order to supply the best product possible. The most current version of this document will always be available at: [www.dialightsignalsandcomponents.com](http://www.dialightsignalsandcomponents.com)

Warranty Statement: Except for the warranty expressly provided for at: [www.dialight.com/resources/warranties/](http://www.dialight.com/resources/warranties/), Dialight disclaims any and all other warranties, express or implied, including, without limitation, any warranties of merchantability, fitness for a particular purpose, title, and noninfringement.



## 623 SERIES 30mm Heavy Duty Panel Mount Indicators

### MECHANICAL / SPECIFICATIONS

MOUNTING HOLE SIZE:  
1.18" (30 mm)

MAX PANEL THICKNESS:  
0.394" (10 mm)

MOUNTING TORQUE:  
7.01 lbs-ft (9.5 Nm)

#### SPECIFICATIONS

OPERATING VOLTAGE:  
3 VDC (external resistor required)  
6, 12 & 24 VDC  
(internal resistor included)

OPERATING TEMP:  
-25 °C to +70 °C (-13 °F to 158 °F)

STORAGE TEMP:  
-25 °C to +70 °C (-13 °F to 158 °F)

#### ELECTRICAL CONNECTION:

Screw terminals

HOUSING:  
Stainless Steel

NUT:  
Stainless Steel

### CERTIFICATIONS & RATINGS

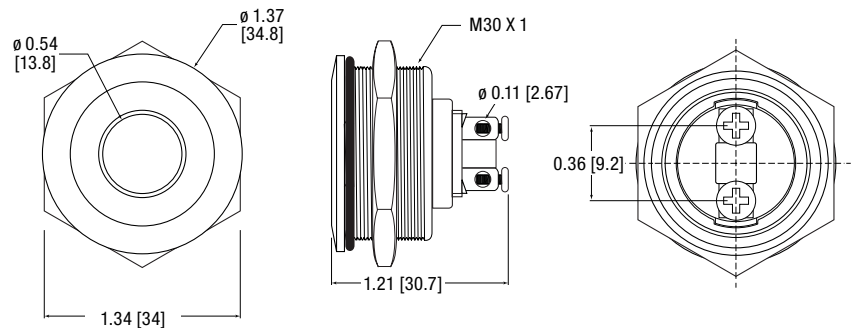
RoHS compliant  
IP66/IP67  
IK10  
NEMA 4X

### APPLICATION

The 623 Series Heavy Duty LED Panel Mount Indicators are elegantly designed for a high-end aesthetic paired with sturdy construction. These indicators are non-magnetic, corrosion resistant for both indoor and outdoor use, and secured to prevent dirt, dust, and water penetration. Ideal for a variety of applications such as:

- Main power indication
- Remote power indication
- Status indication
- Maintenance and warning indication
- Instrumentation

### DIMENSIONS inches [mm]



*These indicators are un-polarized*

ORDERING INFORMATION

Part Number	Color	Voltage (VDC)	Current (mA)	Typical Intensity (mcd)
<a href="#">623-1101-304F</a>	Red	3	15	200
<a href="#">623-1201-304F</a>	Green			250
<a href="#">623-1301-304F</a>	Yellow			350
<a href="#">623-1401-304F</a>	Blue			300
<a href="#">623-1102-304F</a>	Red	6		200
<a href="#">623-1202-304F</a>	Green			250
<a href="#">623-1302-304F</a>	Yellow			350
<a href="#">623-1402-304F</a>	Blue			300
<a href="#">623-1103-304F</a>	Red	12		200
<a href="#">623-1203-304F</a>	Green			250
<a href="#">623-1303-304F</a>	Yellow			350
<a href="#">623-1403-304F</a>	Blue			300
<a href="#">623-1104-304F</a>	Red	24		200
<a href="#">623-1204-304F</a>	Green			250
<a href="#">623-1304-304F</a>	Yellow			350
<a href="#">623-1404-304F</a>	Blue			300



Dialight reserves the right to make changes at any time in order to supply the best product possible. The most current version of this document will always be available at: [www.dialightsignalsandcomponents.com](http://www.dialightsignalsandcomponents.com)

Warranty Statement: Except for the warranty expressly provided for at: [www.dialight.com/resources/warranties/](http://www.dialight.com/resources/warranties/), Dialight disclaims any and all other warranties, express or implied, including, without limitation, any warranties of merchantability, fitness for a particular purpose, title, and noninfringement.



## 624 SERIES

# 12mm Heavy Duty Tri-Color Panel Mount Indicators

### MECHANICAL / SPECIFICATIONS

MOUNTING HOLE SIZE:  
.492" (12.5mm)

MAX PANEL THICKNESS:  
.197" (5mm)

MOUNTING TORQUE:  
8 lbs-in (1Nm)

OPERATING VOLTAGE:  
3VDC, 12VDC, 24VDC

OPERATING TEMP:  
-40°C - 70°C (-40°F - 158°F)

STORAGE TEMP:  
-40°C - 70°C (-40°F - 158°F)

ELECTRICAL CONNECTION:  
26AWG UL1007 rated wire or terminals  
Common cathode

HOUSING:  
Stainless steel

TERMINALS:  
Gold plated Brass Terminals  
accept 20-26AWG wire

NUTS:  
Stainless steel

### CERTIFICATIONS & RATINGS

RoHS compliant  
IP67  
IK10

### FEATURES & BENEFITS

- RoHS Compliant
- IP67 rating
- IK10 rating
- RGB or RGY options
- High brightness level for increasing visibility

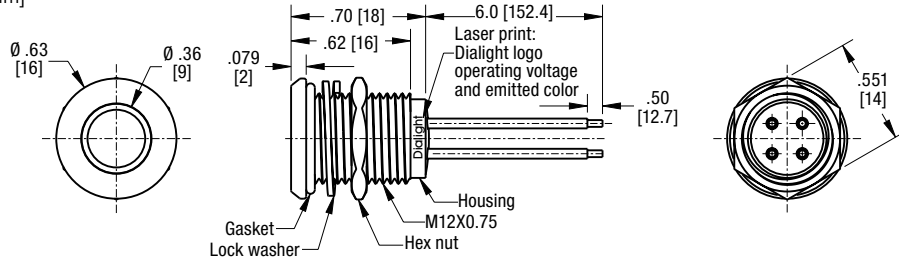
### APPLICATION

The 624 Series Heavy Duty LED Panel Mount Indicators are elegantly designed for a high-end aesthetic paired with sturdy construction. These indicators are nonmagnetic, corrosion resistant for both indoor and outdoor use, and secured to prevent dirt, dust, and water penetration. Ideal for a variety of applications such as:

- Main power indication
  - Remote power indication
  - Status indication
  - Maintenance and warning indication
  - Instrumentation
- ... and many more!

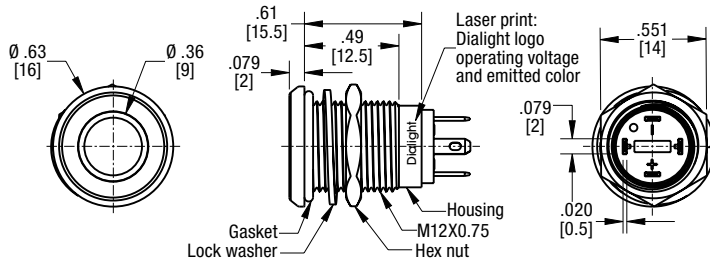
DIMENSIONS inches [mm]

WIRES



Black wire: Cathode (-)  
 Red wire: Red anode  
 Green wire: Green anode  
 Yellow wire: Yellow anode  
 Blue wire: Blue anode

TERMINALS



Parts with terminals contain labeling on bushing.

ORDERING INFORMATION

Part Number	Voltage (VDC)	Intensity On Axis						Lens	Current (mA)
		Red		Green		Blue			
		Min.	Max.	Min.	Max.	Min.	Max.		

RGB Terminal

<a href="#">624-1121-314F</a>	3V							Transparent, Flat	15mA
<a href="#">624-1123-314F</a>	12V	750	4650	1850	6000	150	500		
<a href="#">624-1124-314F</a>	24V								

RGB Wire

<a href="#">624-1121-317F</a>	3V							Transparent, Flat	15mA
<a href="#">624-1123-317F</a>	12V	3050	10750	2350	10750	400	1000		
<a href="#">624-1124-317F</a>	24V								

Part Number	Voltage (VDC)	Intensity On Axis						Lens	Current (mA)
		Red		Green		Yellow			
		Min.	Max.	Min.	Max.	Min.	Max.		

RGY Terminal

<a href="#">624-1141-314F</a>	3V							Transparent, Flat	15mA
<a href="#">624-1143-314F</a>	12V	750	5000	1000	14000	400	8800		
<a href="#">624-1144-314F</a>	24V								

RGY Wire

<a href="#">624-1141-317F</a>	3V							Transparent, Flat	15mA
<a href="#">624-1143-317F</a>	12V	3050	11000	2300	4700	650	5400		
<a href="#">624-1144-317F</a>	24V								



Dialight reserves the right to make changes at any time in order to supply the best product possible. The most current version of this document will always be available at: [www.dialightsignalsandcomponents.com](http://www.dialightsignalsandcomponents.com)

Warranty Statement: Except for the warranty expressly provided for at: [www.dialight.com/resources/warranties/](http://www.dialight.com/resources/warranties/), Dialight disclaims any and all other warranties, express or implied, including, without limitation, any warranties of merchantability, fitness for a particular purpose, title, and noninfringement.



## 625 SERIES

# 16mm Heavy Duty Tri-Color Panel Mount Indicators

### MECHANICAL / SPECIFICATIONS

MOUNTING HOLE SIZE:  
.637" (16.2mm)

MAX PANEL THICKNESS:  
.197" (5mm)

MOUNTING TORQUE:  
8 lbs-in (1Nm)

OPERATING VOLTAGE:  
3VDC, 12VDC, 24VDC

OPERATING TEMP:  
-40°C - 70°C (-40°F - 158°F)

STORAGE TEMP:  
-40°C - 70°C (-40°F - 158°F)

ELECTRICAL CONNECTION:  
22AWG UL1007 rated wire or terminals  
Common cathode

HOUSING:  
Stainless steel

TERMINALS:  
Gold plated brass terminals  
that accept 20-26AWG wire

NUTS:  
Stainless steel

### CERTIFICATIONS & RATINGS

RoHS compliant  
IP67  
IK10

### FEATURES & BENEFITS

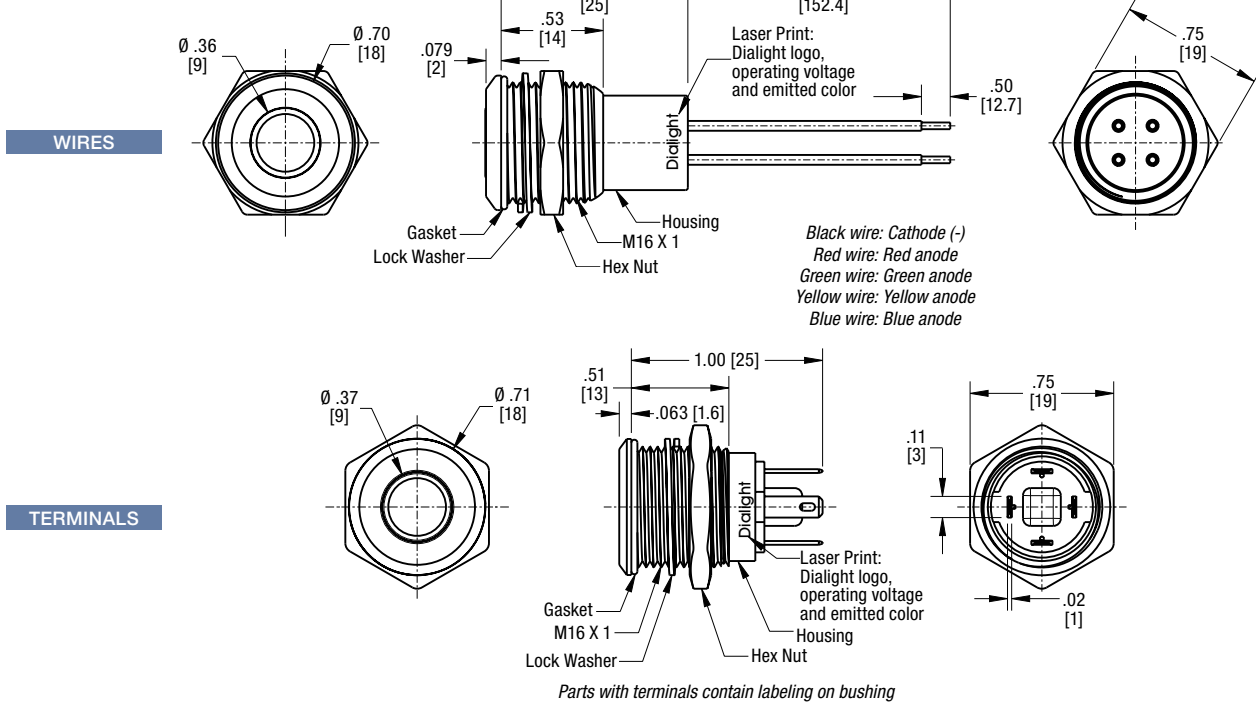
- RoHS compliant
- IP67 rating
- IK10 rating
- RGY and RGB options
- Transparent or diffused lens options

### APPLICATION

The 625 Series Heavy Duty LED Panel Mount Indicators are elegantly designed for a high-end aesthetic paired with sturdy construction. These indicators are nonmagnetic, corrosion resistant for both indoor and outdoor use, and secured to prevent dirt, dust, and water penetration. Ideal for a variety of applications such as:

- Main power indication
  - Remote power indication
  - Status indication
  - Maintenance and warning indication
  - Instrumentation
- ... and many more!

DIMENSIONS inches [mm]



ORDERING INFORMATION

Part Number	Voltage (VDC)	Intensity On Axis						Lens	Current (mA)
		Red		Green		Blue			
		Min.	Max.	Min.	Max.	Min.	Max.		

RGB Wire Terminal

<a href="#">625-1121-307F</a>	3V	160	170	440	485	60	70	Diffused, Flat	15mA
<a href="#">625-1123-307F</a>	12V	180	195	540	585	120	130		
<a href="#">625-1124-307F</a>	24V	100	110	280	300	60	70		

RGB Solder Terminal

<a href="#">625-1121-314F</a>	3V	5010	7850	1850	5975	270	300	Transparent, Flat	15mA
<a href="#">625-1123-314F</a>	12V	1340	2560	1500	10000	400	3150		
<a href="#">625-1124-314F</a>	24V	1150	2360	1125	4370	485	2350		

Part Number	Voltage (VDC)	Intensity On Axis						Lens	Current (mA)
		Red		Green		Yellow			
		Min.	Max.	Min.	Max.	Min.	Max.		

RGY Wire Terminal

<a href="#">625-1141-307F</a>	3V	190	200	480	495	285	340	Diffused, Flat	15mA
<a href="#">625-1143-307F</a>	12V	80	90	150	160	80	90		
<a href="#">625-1144-307F</a>	24V	90	100	170	180	85	90		

RGY Solder Terminal

<a href="#">625-1141-314F</a>	3V	5150	5175	1600	1700	6575	6750	Transparent, Flat	15mA
<a href="#">625-1143-314F</a>	12V	800	1550	1000	1340	2700	5350		
<a href="#">625-1144-314F</a>	24V	2825	4230	3000	6075	860	1075		



Dialight reserves the right to make changes at any time in order to supply the best product possible. The most current version of this document will always be available at: [www.dialightsignalsandcomponents.com](http://www.dialightsignalsandcomponents.com)

Warranty Statement: Except for the warranty expressly provided for at: [www.dialight.com/resources/warranties/](http://www.dialight.com/resources/warranties/), Dialight disclaims any and all other warranties, express or implied, including, without limitation, any warranties of merchantability, fitness for a particular purpose, title, and noninfringement.



## 630 SERIES 30mm Panel Mount Indicators

### MECHANICAL / SPECIFICATIONS

MOUNTING HOLE SIZE: 1.18" (30 mm)

MAX PANEL THICKNESS:

Flat: 0.575" (14.6 mm)

Dome: 0.375" (9.53 mm)

MOUNTING TORQUE: 40 in-lbs

VOLTAGE OPTIONS:

12 & 24 VDC, and 120 VAC

(no resistor required)

OPERATING TEMP:

-30 °C to +85 °C (-22 °F to +185 °F)

STORAGE TEMP:

-40 °C to +100 °C (-40 °F to +212 °F)

ELECTRICAL CONNECTION: 6-32 screw terminals

HOUSING:

Brass–White Nickel Plated

TERMINALS:

Brass–Hot solder dip  
per Mil-F-14072D, M258, Type II

LENS MATERIAL:

Transparent Polycarbonate (UL 94-0)

LOCK WASHER: Phosphor Bronze–Nickel Plated

NUT: Brass–Nickel Plated

### CERTIFICATIONS & RATINGS

UL 1598 (E156890)

IP66

NEMA 4X

RoHS Compliant w/6C exemption

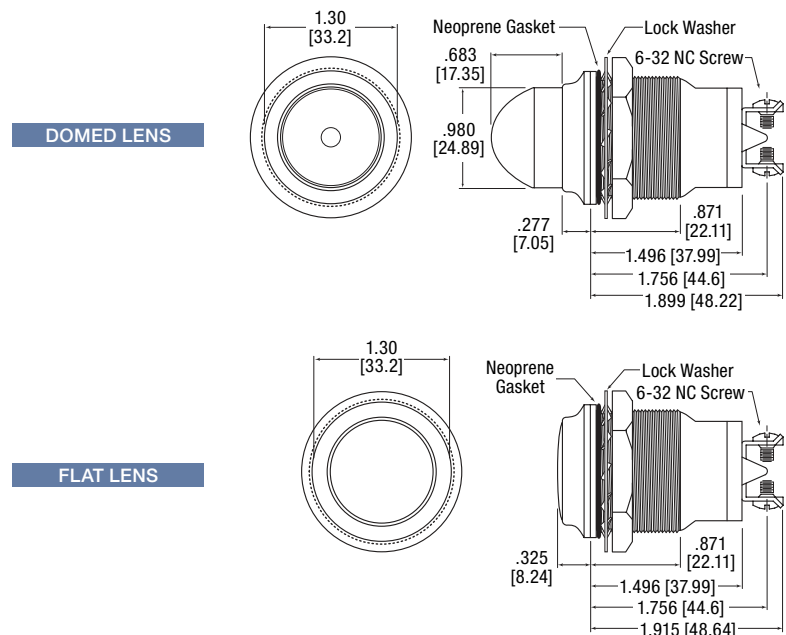
IK07

### APPLICATION

The 630 Series LED Panel Mount Indicators incorporate both InGaN and AlInGaP technologies to offer maximum light output. This is a highly durable package, designed to withstand outdoor applications susceptible to rain, dust and sunlight:

- Instrument panels
- Safety applications
- UL 508 panel applications
- Petrochemical applications
- Environmental monitoring equipment specifications
- Pump system controllers
- Mining application
- Oil refineries
- Agricultural controls
- Power generators
- and many more!

### DIMENSIONS inches [mm]



ORDERING INFORMATION

FLAT LENS

Dialight P/N	Color	Voltage (VDC)	Current (mA)	Typical Intensity (mcd)
<a href="#">630-1003-304F</a>	○ White	12 VDC	60	61,000
<a href="#">630-1503-304F</a>	● Red		95	22,000
<a href="#">630-1603-304F</a>	● Green		60	41,500
<a href="#">630-1703-304F</a>	● Yellow		95	13,500
<a href="#">630-1803-304F</a>	● Blue		60	13,000
<a href="#">630-1004-304F</a>	○ White	24 VDC	32	61,000
<a href="#">630-1504-304F</a>	● Red		46	22,000
<a href="#">630-1604-304F</a>	● Green		32	41,500
<a href="#">630-1704-304F</a>	● Yellow		46	13,500
<a href="#">630-1804-304F</a>	● Blue		32	13,000
<a href="#">630-1005-304F</a>	○ White	120 VAC	9.5	35,000
<a href="#">630-1505-304F</a>	● Red		10.5	8,000
<a href="#">630-1605-304F</a>	● Green		9.5	29,000
<a href="#">630-1705-304F</a>	● Yellow		10	5,750
<a href="#">630-1805-304F</a>	● Blue		9.5	7,750

DOMED LENS

<a href="#">630-3003-304F</a>	○ White	12 VDC	60	17,000
<a href="#">630-3503-304F</a>	● Red		95	14,000
<a href="#">630-3603-304F</a>	● Green		60	14,000
<a href="#">630-3703-304F</a>	● Yellow		95	4,000
<a href="#">630-3803-304F</a>	● Blue		60	12,000
<a href="#">630-3004-304F</a>	○ White	24 VDC	32	17,000
<a href="#">630-3504-304F</a>	● Red		46	14,000
<a href="#">630-3604-304F</a>	● Green		32	14,000
<a href="#">630-3704-304F</a>	● Yellow		46	4,000
<a href="#">630-3804-304F</a>	● Blue		32	12,000
<a href="#">630-3005-304F</a>	○ White	120 VAC	9.5	10,250
<a href="#">630-3505-304F</a>	● Red		10.5	2,500
<a href="#">630-3605-304F</a>	● Green		9.5	9,500
<a href="#">630-3705-304F</a>	● Yellow		10	1,750
<a href="#">630-3805-304F</a>	● Blue		9.5	3,000



Dialight reserves the right to make changes at any time in order to supply the best product possible. The most current version of this document will always be available at: [www.dialightsignalsandcomponents.com](http://www.dialightsignalsandcomponents.com)

Warranty Statement: Except for the warranty expressly provided for at: [www.dialight.com/resources/warranties/](http://www.dialight.com/resources/warranties/), Dialight disclaims any and all other warranties, express or implied, including, without limitation, any warranties of merchantability, fitness for a particular purpose, title, and noninfringement.



## 653 SERIES Snap-in Panel Mount Indicators

### MECHANICAL / SPECIFICATIONS

MOUNTING HOLE SIZE:  
0.579" (14.7 mm)

MAX PANEL THICKNESS:  
0.138" (3.5 mm)

VOLTAGE OPTIONS:  
12 & 24 VDC (no resistor required)

OPERATING TEMP:  
-20 °C to +80 °C (-4 °F to +176 °F)

STORAGE TEMP:  
-20 °C to +80 °C (-4 °F to +176 °F)

ELECTRICAL CONNECTION:  
5" wire leads

HOUSING:  
Polycarbonate

WIRE LEADS:  
22 AWG

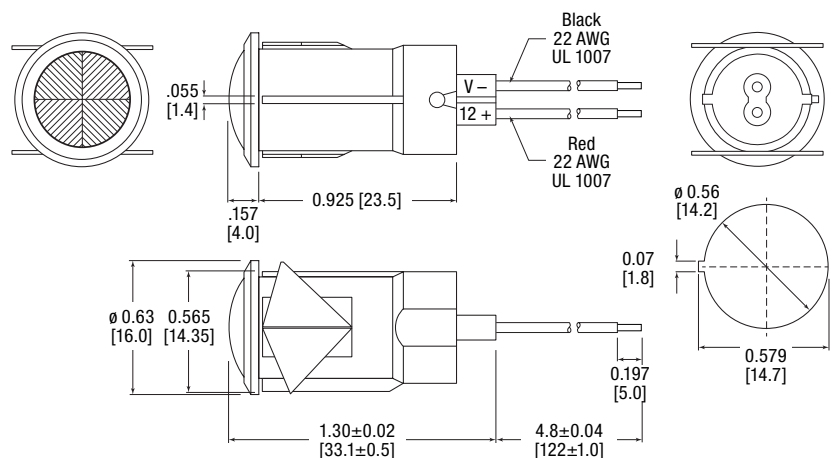
CERTIFICATIONS & RATINGS  
RoHS compliant

### APPLICATION

The 653 Series LED Panel Mount Indicators are designed with the unique feature of flexible tabs that allow for mounting to panels of thicknesses ranging from 0.027" (0.7 mm) to 0.138" (3.5 mm). They are ideal for a variety of applications, such as:

- Main power indication
- Remote power indication
- Status indication
- Maintenance and warning indication
- Instrumentation

### DIMENSIONS inches [mm]



ORDERING INFORMATION

Part Number	Color	Voltage (VDC)	Current (mA)	Typical Intensity (mcd)
<a href="#">653-1103-103F</a>	● Red	12	20	845
<a href="#">653-1203-103F</a>	● Green			600
<a href="#">653-1303-103F</a>	● Yellow			465
<a href="#">653-1403-103F</a>	● Blue			390
<a href="#">653-1104-103F</a>	● Red	24		845
<a href="#">653-1204-103F</a>	● Green			600
<a href="#">653-1304-103F</a>	● Yellow			465
<a href="#">653-1404-103F</a>	● Blue			390



Dialight reserves the right to make changes at any time in order to supply the best product possible. The most current version of this document will always be available at: [www.dialightsignalsandcomponents.com](http://www.dialightsignalsandcomponents.com)

Warranty Statement: Except for the warranty expressly provided for at: [www.dialight.com/resources/warranties/](http://www.dialight.com/resources/warranties/), Dialight disclaims any and all other warranties, express or implied, including, without limitation, any warranties of merchantability, fitness for a particular purpose, title, and noninfringement.



ORDERING INFORMATION

Dialight P/N	Color	Voltage (VDC)	Current (mA)	Typical Intensity (mcd)
<a href="#">654-1103-103F</a>	● Red	12	20	845
<a href="#">654-1203-103F</a>	● Green			600
<a href="#">654-1303-103F</a>	● Yellow			465
<a href="#">654-1403-103F</a>	● Blue			390
<a href="#">654-1104-103F</a>	● Red	24		845
<a href="#">654-1204-103F</a>	● Green			600
<a href="#">654-1304-103F</a>	● Yellow			465
<a href="#">654-1404-103F</a>	● Blue			390



Dialight reserves the right to make changes at any time in order to supply the best product possible. The most current version of this document will always be available at: [www.dialightsignalsandcomponents.com](http://www.dialightsignalsandcomponents.com)

Warranty Statement: Except for the warranty expressly provided for at: [www.dialight.com/resources/warranties/](http://www.dialight.com/resources/warranties/), Dialight disclaims any and all other warranties, express or implied, including, without limitation, any warranties of merchantability, fitness for a particular purpose, title, and noninfringement.



## 655 SERIES 1/2" Snap-In Panel Mount Indicators

### MECHANICAL / SPECIFICATIONS

MOUNTING HOLE SIZE:

0.50" (12.7 mm)

MAX PANEL THICKNESS:

0.138" (3.5 mm) (Domed Lens);

0.216" (5.5 mm) (Flat Lens)

VOLTAGE OPTIONS:

12 & 24 VDC and 120 & 230 VAC  
(Flat Lens only), no resistor required

OPERATING TEMP:

-20 °C to +85 °C (-4 °F to +185 °F)

STORAGE TEMP:

-20 °C to +85 °C (-4 °F to +185 °F)

ELECTRICAL CONNECTION:

250 Faston quick connect terminals  
(Flat Lens only) or wire leads

HOUSING:

Polycarbonate

TERMINALS:

Brass—Nickel Plated (Flat Lens only)

WIRE LEADS:

18 AWG (Flat Lens),

26 AWG (Domed Lens)

### CERTIFICATIONS & RATINGS

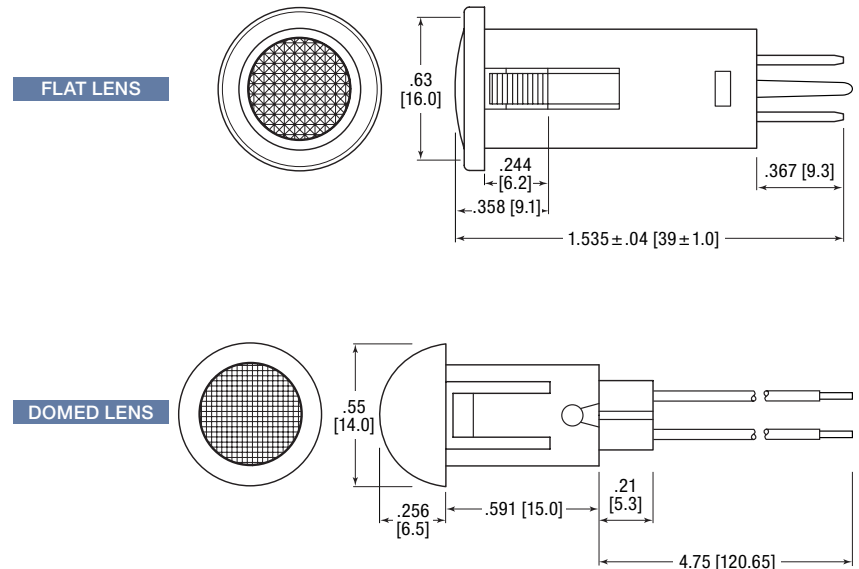
RoHS compliant

### APPLICATION

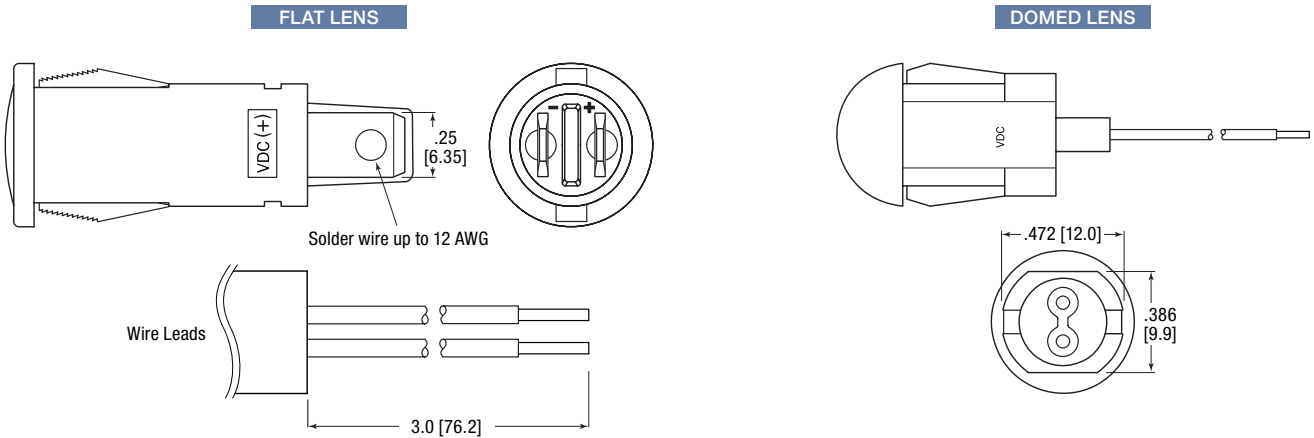
The 655 Series LED Panel Mount Indicators are designed for a variety of applications such as:

- Main power indication
- Remote power indication
- Status indication
- Maintenance and warning indication
- Instrumentation

### DIMENSIONS inches [mm]



DIMENSIONS inches [mm]



ORDERING INFORMATION

Dialight P/N		Color	Voltage (V DC)	Current (mA)	Typical Intensity (mcd)
Wire Leads	Solder Terminals				

Flat Lens

<a href="#">655-1103-103F</a>	<a href="#">655-1103-104F</a>	● Red	12	20	270
<a href="#">655-1203-103F</a>	<a href="#">655-1203-104F</a>	● Green			700
<a href="#">655-1303-103F</a>	<a href="#">655-1303-104F</a>	● Yellow			200
<a href="#">655-1403-103F</a>	<a href="#">655-1403-104F</a>	● Blue			100
<a href="#">655-1104-103F</a>	<a href="#">655-1104-104F</a>	● Red	24		270
<a href="#">655-1204-103F</a>	<a href="#">655-1204-104F</a>	● Green			700
<a href="#">655-1304-103F</a>	<a href="#">655-1304-104F</a>	● Yellow			200
<a href="#">655-1404-103F</a>	<a href="#">655-1404-104F</a>	● Blue			100

Domed Lens

<a href="#">655-2103-103F</a>	NA	● Red	12	20	3000
<a href="#">655-2203-103F</a>	NA	● Green			2500
<a href="#">655-2303-103F</a>	NA	● Yellow			1500
<a href="#">655-2403-103F</a>	NA	● Blue			700
<a href="#">655-2104-103F</a>	NA	● Red	24		3000
<a href="#">655-2204-103F</a>	NA	● Green			2500
<a href="#">655-2304-103F</a>	NA	● Yellow			1500
<a href="#">655-2404-103F</a>	NA	● Blue			700



Dialight reserves the right to make changes at any time in order to supply the best product possible. The most current version of this document will always be available at: [www.dialightsignalsandcomponents.com](http://www.dialightsignalsandcomponents.com)

Warranty Statement: Except for the warranty expressly provided for at: [www.dialight.com/resources/warranties/](http://www.dialight.com/resources/warranties/), Dialight disclaims any and all other warranties, express or implied, including, without limitation, any warranties of merchantability, fitness for a particular purpose, title, and noninfringement.



## 656 SERIES High Intensity LED Panel Mount Indicators

### MECHANICAL / SPECIFICATIONS

MOUNTING HOLE SIZE:  
0.500" (12.7 mm)

MAX PANEL THICKNESS:  
0.450" (11.43 mm)

MOUNTING TORQUE:  
5 in-lbs

VOLTAGE OPTIONS:  
5 to 125VDC and 125, 230VAC  
(bi-color 5, 12, 24 VDC)  
(no resistor required)

OPERATING TEMP:  
-30 °C to +85 °C (22 °F to +185 °F)

STORAGE TEMP:  
-40 °C to +100 °C (-40 °F to +212 °F)

ELECTRICAL CONNECTION:  
110 Faston quick connect terminals  
or 6" wire leads

HOUSING: Brass-White or Black Nickel Plated

LENS MATERIAL:  
Transparent polycarbonate (UL 94V-0)

WIRE LEADS: 18 AWG

LOCK WASHER:  
Bronze-White or Black Nickel Plated

NUT: Brass-White or Black Nickel Plated

### CERTIFICATIONS & RATINGS

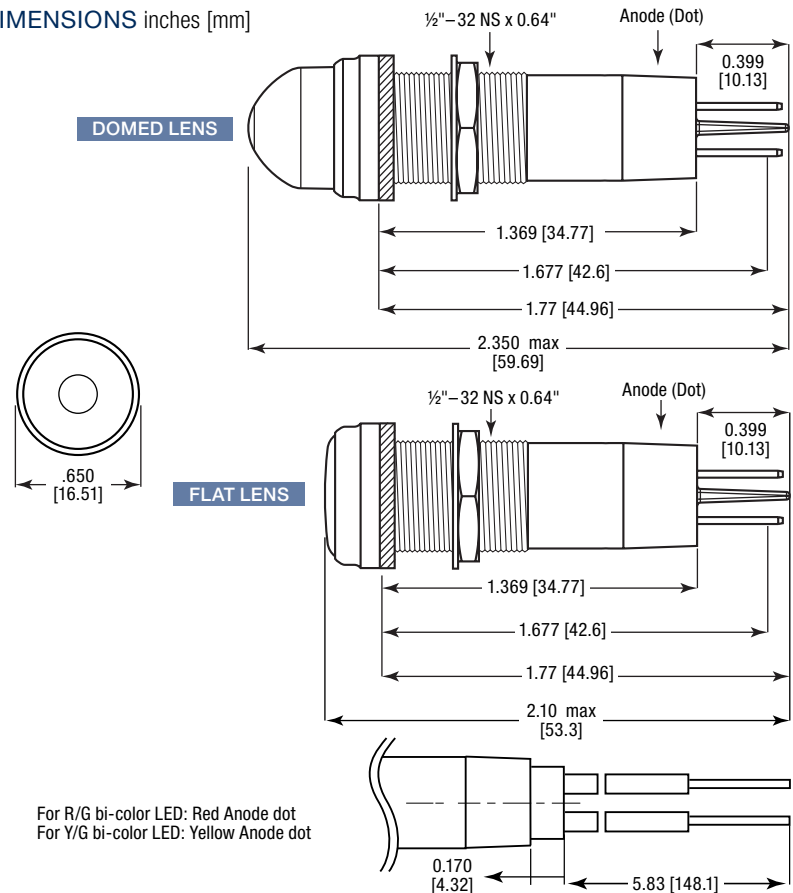
UL 508 (E156890) – UL Listed; Terminals – UL recognized  
NEMA 4X  
IP66/67  
RoHS compliant – w/6C exemption

### APPLICATION

The 656 Series LED Panel Mount Indicators are designed for a variety of applications such as:

- Flow controls
- Instrument panels
- Industrial controls
- Transportation: rail, bus, airline
- Pump panels
- Vending/gaming

### DIMENSIONS inches [mm]



ORDERING INFORMATION

BI-COLOR

Flat Lens

Part #—with Wire Leads		Part #—with Blade Terminals		Color	Voltage (VDC)	Typ Current (mA)	Typical Intensity (mcd)
White Nickel Plating	Black Nickel Plating	White Nickel Plating	Black Nickel Plating				
<a href="#">656-1122-303F</a>	<a href="#">656-1122-203F</a>	<a href="#">656-1122-304F</a>	<a href="#">656-1122-204F</a>	● Red ● Green	5	11/8	330/910
<a href="#">656-1322-303F</a>	<a href="#">656-1322-203F</a>	<a href="#">656-1322-304F</a>	<a href="#">656-1322-204F</a>	● Yellow ● Green			320/864
<a href="#">656-1123-303F</a>	<a href="#">656-1123-203F</a>	<a href="#">656-1123-304F</a>	<a href="#">656-1123-204F</a>	● Red ● Green	12	10/9	330/910
<a href="#">656-1323-303F</a>	<a href="#">656-1323-203F</a>	<a href="#">656-1323-304F</a>	<a href="#">656-1323-204F</a>	● Yellow ● Green			320/864
<a href="#">656-1124-303F</a>	<a href="#">656-1124-203F</a>	<a href="#">656-1124-304F</a>	<a href="#">656-1124-204F</a>	● Red ● Green	24	11/10	330/910
<a href="#">656-1324-303F</a>	<a href="#">656-1324-203F</a>	<a href="#">656-1324-304F</a>	<a href="#">656-1324-204F</a>	● Yellow ● Green			320/864

Domed Lens

Part #—with Wire Leads		Part #—with Blade Terminals		Color	Voltage (VDC)	Typ Current (mA)	Typical Intensity (mcd)
White Nickel Plating	Black Nickel Plating	White Nickel Plating	Black Nickel Plating				
<a href="#">656-3122-303F</a>	<a href="#">656-3122-203F</a>	<a href="#">656-3122-304F</a>	<a href="#">656-3122-204F</a>	● Red ● Green	5	11/8	490/1340
<a href="#">656-3322-303F</a>	<a href="#">656-3322-203F</a>	<a href="#">656-3322-304F</a>	<a href="#">656-3322-204F</a>	● Yellow ● Green			480/430
<a href="#">656-3123-303F</a>	<a href="#">656-3123-203F</a>	<a href="#">656-3123-304F</a>	<a href="#">656-3123-204F</a>	● Red ● Green	12	10/9	490/1340
<a href="#">656-3323-303F</a>	<a href="#">656-3323-203F</a>	<a href="#">656-3323-304F</a>	<a href="#">656-3323-204F</a>	● Yellow ● Green			480/430
<a href="#">656-3124-303F</a>	<a href="#">656-3124-203F</a>	<a href="#">656-3124-304F</a>	<a href="#">656-3124-204F</a>	● Red ● Green	24	11/10	490/1340
<a href="#">656-3324-303F</a>	<a href="#">656-3324-203F</a>	<a href="#">656-3324-304F</a>	<a href="#">656-3324-204F</a>	● Yellow ● Green			480/430



Dialight reserves the right to make changes at any time in order to supply the best product possible. The most current version of this document will always be available at: [www.dialightsignalsandcomponents.com](http://www.dialightsignalsandcomponents.com)

Warranty Statement: Except for the warranty expressly provided for at: [www.dialight.com/resources/warranties/](http://www.dialight.com/resources/warranties/), Dialight disclaims any and all other warranties, express or implied, including, without limitation, any warranties of merchantability, fitness for a particular purpose, title, and noninfringement.

SINGLE COLOR

Flat Lens

Part #--with Wire Leads		Part #--with Blade Terminals		Color	Voltage	Typ Current (mA)	Typical Intensity (mcd)
White Nickel Plating	Black Nickel Plating	White Nickel Plating	Black Nickel Plating				
<a href="#">656-1002-303F</a>	<a href="#">656-1002-203F</a>	<a href="#">656-1002-304F</a>	<a href="#">656-1002-204F</a>	○ White	5 (VDC)	15	1510
<a href="#">656-1102-303F</a>	<a href="#">656-1102-203F</a>	<a href="#">656-1102-304F</a>	<a href="#">656-1102-204F</a>	● Red			1150
<a href="#">656-1202-303F</a>	<a href="#">656-1202-203F</a>	<a href="#">656-1202-304F</a>	<a href="#">656-1202-204F</a>	● Green			1600
<a href="#">656-1302-303F</a>	<a href="#">656-1302-203F</a>	<a href="#">656-1302-304F</a>	<a href="#">656-1302-204F</a>	● Yellow			990
<a href="#">656-1352-303F</a>	<a href="#">656-1352-203F</a>	<a href="#">656-1352-304F</a>	<a href="#">656-1352-204F</a>	● Orange			1800
<a href="#">656-1402-303F</a>	<a href="#">656-1402-203F</a>	<a href="#">656-1402-304F</a>	<a href="#">656-1402-204F</a>	● Blue			237
<a href="#">656-1003-303F</a>	<a href="#">656-1003-203F</a>	<a href="#">656-1003-304F</a>	<a href="#">656-1003-204F</a>	○ White	12 (VDC)	18	1310
<a href="#">656-1103-303F</a>	<a href="#">656-1103-203F</a>	<a href="#">656-1103-304F</a>	<a href="#">656-1103-204F</a>	● Red			1100
<a href="#">656-1203-303F</a>	<a href="#">656-1203-203F</a>	<a href="#">656-1203-304F</a>	<a href="#">656-1203-204F</a>	● Green			1140
<a href="#">656-1303-303F</a>	<a href="#">656-1303-203F</a>	<a href="#">656-1303-304F</a>	<a href="#">656-1303-204F</a>	● Yellow			880
<a href="#">656-1353-303F</a>	<a href="#">656-1353-203F</a>	<a href="#">656-1353-304F</a>	<a href="#">656-1353-204F</a>	● Orange			1800
<a href="#">656-1403-303F</a>	<a href="#">656-1403-203F</a>	<a href="#">656-1403-304F</a>	<a href="#">656-1403-204F</a>	● Blue			290
<a href="#">656-1004-303F</a>	<a href="#">656-1004-203F</a>	<a href="#">656-1004-304F</a>	<a href="#">656-1004-204F</a>	○ White	24 (VDC)	20	1310
<a href="#">656-1104-303F</a>	<a href="#">656-1104-203F</a>	<a href="#">656-1104-304F</a>	<a href="#">656-1104-204F</a>	● Red			1100
<a href="#">656-1204-303F</a>	<a href="#">656-1204-203F</a>	<a href="#">656-1204-304F</a>	<a href="#">656-1204-204F</a>	● Green			1140
<a href="#">656-1304-303F</a>	<a href="#">656-1304-203F</a>	<a href="#">656-1304-304F</a>	<a href="#">656-1304-204F</a>	● Yellow			880
<a href="#">656-1354-303F</a>	<a href="#">656-1354-203F</a>	<a href="#">656-1354-304F</a>	<a href="#">656-1354-204F</a>	● Orange			1800
<a href="#">656-1404-303F</a>	<a href="#">656-1404-203F</a>	<a href="#">656-1404-304F</a>	<a href="#">656-1404-204F</a>	● Blue			290
<a href="#">656-1006-303F</a>	<a href="#">656-1006-203F</a>	<a href="#">656-1006-304F</a>	<a href="#">656-1006-204F</a>	○ White	28 (VDC)	19	1310
<a href="#">656-1106-303F</a>	<a href="#">656-1106-203F</a>	<a href="#">656-1106-304F</a>	<a href="#">656-1106-204F</a>	● Red			1100
<a href="#">656-1206-303F</a>	<a href="#">656-1206-203F</a>	<a href="#">656-1206-304F</a>	<a href="#">656-1206-204F</a>	● Green			1140
<a href="#">656-1306-303F</a>	<a href="#">656-1306-203F</a>	<a href="#">656-1306-304F</a>	<a href="#">656-1306-204F</a>	● Yellow			880
<a href="#">656-1356-303F</a>	<a href="#">656-1356-203F</a>	<a href="#">656-1356-304F</a>	<a href="#">656-1356-204F</a>	● Orange			1800
<a href="#">656-1406-303F</a>	<a href="#">656-1406-203F</a>	<a href="#">656-1406-304F</a>	<a href="#">656-1406-204F</a>	● Blue			290
<a href="#">656-1008-303F</a>	<a href="#">656-1008-203F</a>	<a href="#">656-1008-304F</a>	<a href="#">656-1008-204F</a>	○ White	37.5 (VDC)	8.5	400
<a href="#">656-1108-303F</a>	<a href="#">656-1108-203F</a>	<a href="#">656-1108-304F</a>	<a href="#">656-1108-204F</a>	● Red			230
<a href="#">656-1208-303F</a>	<a href="#">656-1208-203F</a>	<a href="#">656-1208-304F</a>	<a href="#">656-1208-204F</a>	● Green			450
<a href="#">656-1308-303F</a>	<a href="#">656-1308-203F</a>	<a href="#">656-1308-304F</a>	<a href="#">656-1308-204F</a>	● Yellow			190
<a href="#">656-1358-303F</a>	<a href="#">656-1358-203F</a>	<a href="#">656-1358-304F</a>	<a href="#">656-1358-204F</a>	● Orange			835
<a href="#">656-1408-303F</a>	<a href="#">656-1408-203F</a>	<a href="#">656-1408-304F</a>	<a href="#">656-1408-204F</a>	● Blue			100
<a href="#">656-110A-303F</a>		<a href="#">656-110A-304F</a>		● Red	48 (VDC)	10	230
<a href="#">656-120A-303F</a>		<a href="#">656-120A-304F</a>		● Green			450
<a href="#">656-130A-303F</a>		<a href="#">656-130A-304F</a>		● Yellow			190
<a href="#">656-1007-303F</a>	<a href="#">656-1007-203F</a>	<a href="#">656-1007-304F</a>	<a href="#">656-1007-204F</a>	○ White	72 (VDC)	8.5	400
<a href="#">656-1107-303F</a>	<a href="#">656-1107-203F</a>	<a href="#">656-1107-304F</a>	<a href="#">656-1107-204F</a>	● Red			230
<a href="#">656-1207-303F</a>	<a href="#">656-1207-203F</a>	<a href="#">656-1207-304F</a>	<a href="#">656-1207-204F</a>	● Green			450
<a href="#">656-1307-303F</a>	<a href="#">656-1307-203F</a>	<a href="#">656-1307-304F</a>	<a href="#">656-1307-204F</a>	● Yellow			190
<a href="#">656-1357-303F</a>	<a href="#">656-1357-203F</a>	<a href="#">656-1357-304F</a>	<a href="#">656-1357-204F</a>	● Orange			835
<a href="#">656-1407-303F</a>	<a href="#">656-1407-203F</a>	<a href="#">656-1407-304F</a>	<a href="#">656-1407-204F</a>	● Blue			100
<a href="#">656-1005-303F</a>		<a href="#">656-1005-304F</a>		○ White	120 (VAC/VDC)	5	400
<a href="#">656-1105-303F</a>		<a href="#">656-1105-304F</a>		● Red			230
<a href="#">656-1205-303F</a>		<a href="#">656-1205-304F</a>		● Green			450
<a href="#">656-1305-303F</a>		<a href="#">656-1305-304F</a>		● Yellow			190
<a href="#">656-1355-303F</a>		<a href="#">656-1355-304F</a>		● Orange			260
<a href="#">656-1405-303F</a>		<a href="#">656-1405-304F</a>		● Blue			100
<a href="#">656-1009-303F</a>		<a href="#">656-1009-304F</a>		○ White	230 (VAC)	3	400
<a href="#">656-1109-303F</a>		<a href="#">656-1109-304F</a>		● Red			230
<a href="#">656-1209-303F</a>		<a href="#">656-1209-304F</a>		● Green			450
<a href="#">656-1309-303F</a>		<a href="#">656-1309-304F</a>		● Yellow			190
<a href="#">656-1359-303F</a>		<a href="#">656-1359-304F</a>		● Orange			260
<a href="#">656-1409-303F</a>		<a href="#">656-1409-304F</a>		● Blue			100

SINGLE COLOR

Domed Lens

Part #--with Wire Leads		Part #--with Blade Terminals		Color	Voltage	Typ Current (mA)	Typical Intensity (mcd)
White Nickel Plating	Black Nickel Plating	White Nickel Plating	Black Nickel Plating				
<a href="#">656-3002-303F</a>	<a href="#">656-3002-203F</a>	<a href="#">656-3002-304F</a>	<a href="#">656-3002-204F</a>	○ White	5 (VDC)	15	3080
<a href="#">656-3102-303F</a>	<a href="#">656-3102-203F</a>	<a href="#">656-3102-304F</a>	<a href="#">656-3102-204F</a>	● Red			2200
<a href="#">656-3202-303F</a>	<a href="#">656-3202-203F</a>	<a href="#">656-3202-304F</a>	<a href="#">656-3202-204F</a>	● Green			2880
<a href="#">656-3302-303F</a>	<a href="#">656-3302-203F</a>	<a href="#">656-3302-304F</a>	<a href="#">656-3302-204F</a>	● Yellow			1960
<a href="#">656-3352-303F</a>	<a href="#">656-3352-203F</a>	<a href="#">656-3352-304F</a>	<a href="#">656-3352-204F</a>	● Orange			4400
<a href="#">656-3402-303F</a>	<a href="#">656-3402-203F</a>	<a href="#">656-3402-304F</a>	<a href="#">656-3402-204F</a>	● Blue			600
<a href="#">656-3003-303F</a>	<a href="#">656-3003-203F</a>	<a href="#">656-3003-304F</a>	<a href="#">656-3003-204F</a>	○ White	12 (VDC)	18	2340
<a href="#">656-3103-303F</a>	<a href="#">656-3103-203F</a>	<a href="#">656-3103-304F</a>	<a href="#">656-3103-204F</a>	● Red			2000
<a href="#">656-3203-303F</a>	<a href="#">656-3203-203F</a>	<a href="#">656-3203-304F</a>	<a href="#">656-3203-204F</a>	● Green			2110
<a href="#">656-3303-303F</a>	<a href="#">656-3303-203F</a>	<a href="#">656-3303-304F</a>	<a href="#">656-3303-204F</a>	● Yellow			1080
<a href="#">656-3353-303F</a>	<a href="#">656-3353-203F</a>	<a href="#">656-3353-304F</a>	<a href="#">656-3353-204F</a>	● Orange			4400
<a href="#">656-3403-303F</a>	<a href="#">656-3403-203F</a>	<a href="#">656-3403-304F</a>	<a href="#">656-3403-204F</a>	● Blue			640
<a href="#">656-3004-303F</a>	<a href="#">656-3004-203F</a>	<a href="#">656-3004-304F</a>	<a href="#">656-3004-204F</a>	○ White	24 (VDC)	20	2340
<a href="#">656-3104-303F</a>	<a href="#">656-3104-203F</a>	<a href="#">656-3104-304F</a>	<a href="#">656-3104-204F</a>	● Red			2000
<a href="#">656-3204-303F</a>	<a href="#">656-3204-203F</a>	<a href="#">656-3204-304F</a>	<a href="#">656-3204-204F</a>	● Green			2110
<a href="#">656-3304-303F</a>	<a href="#">656-3304-203F</a>	<a href="#">656-3304-304F</a>	<a href="#">656-3304-204F</a>	● Yellow			1080
<a href="#">656-3354-303F</a>	<a href="#">656-3354-203F</a>	<a href="#">656-3354-304F</a>	<a href="#">656-3354-204F</a>	● Orange			4400
<a href="#">656-3404-303F</a>	<a href="#">656-3404-203F</a>	<a href="#">656-3404-304F</a>	<a href="#">656-3404-204F</a>	● Blue			640
<a href="#">656-3006-303F</a>	<a href="#">656-3006-203F</a>	<a href="#">656-3006-304F</a>	<a href="#">656-3006-204F</a>	○ White	28 (VDC)	19	2340
<a href="#">656-3106-303F</a>	<a href="#">656-3106-203F</a>	<a href="#">656-3106-304F</a>	<a href="#">656-3106-204F</a>	● Red			2000
<a href="#">656-3206-303F</a>	<a href="#">656-3206-203F</a>	<a href="#">656-3206-304F</a>	<a href="#">656-3206-204F</a>	● Green			2110
<a href="#">656-3306-303F</a>	<a href="#">656-3306-203F</a>	<a href="#">656-3306-304F</a>	<a href="#">656-3306-204F</a>	● Yellow			1080
<a href="#">656-3356-303F</a>	<a href="#">656-3356-203F</a>	<a href="#">656-3356-304F</a>	<a href="#">656-3356-204F</a>	● Orange			4400
<a href="#">656-3406-303F</a>	<a href="#">656-3406-203F</a>	<a href="#">656-3406-304F</a>	<a href="#">656-3406-204F</a>	● Blue			640
<a href="#">656-3008-303F</a>	<a href="#">656-3008-203F</a>	<a href="#">656-3008-304F</a>	<a href="#">656-3008-204F</a>	○ White	37.5 (VDC)	19	660
<a href="#">656-3108-303F</a>	<a href="#">656-3108-203F</a>	<a href="#">656-3108-304F</a>	<a href="#">656-3108-204F</a>	● Red			410
<a href="#">656-3208-303F</a>	<a href="#">656-3208-203F</a>	<a href="#">656-3208-304F</a>	<a href="#">656-3208-204F</a>	● Green			800
<a href="#">656-3308-303F</a>	<a href="#">656-3308-203F</a>	<a href="#">656-3308-304F</a>	<a href="#">656-3308-204F</a>	● Yellow			390
<a href="#">656-3358-303F</a>	<a href="#">656-3358-203F</a>	<a href="#">656-3358-304F</a>	<a href="#">656-3358-204F</a>	● Orange			2000
<a href="#">656-3408-303F</a>	<a href="#">656-3408-203F</a>	<a href="#">656-3408-304F</a>	<a href="#">656-3408-204F</a>	● Blue			220
<a href="#">656-310A-303F</a>		<a href="#">656-310A-304F</a>		● Red	48 (VDC)	10	410
<a href="#">656-320A-303F</a>		<a href="#">656-320A-304F</a>		● Green			800
<a href="#">656-330A-303F</a>		<a href="#">656-330A-304F</a>		● Yellow			390
<a href="#">656-3007-303F</a>	<a href="#">656-3007-203F</a>	<a href="#">656-3007-304F</a>	<a href="#">656-3007-204F</a>	○ White	72 (VDC)	10	660
<a href="#">656-3107-303F</a>	<a href="#">656-3107-203F</a>	<a href="#">656-3107-304F</a>	<a href="#">656-3107-204F</a>	● Red			410
<a href="#">656-3207-303F</a>	<a href="#">656-3207-203F</a>	<a href="#">656-3207-304F</a>	<a href="#">656-3207-204F</a>	● Green			800
<a href="#">656-3307-303F</a>	<a href="#">656-3307-203F</a>	<a href="#">656-3307-304F</a>	<a href="#">656-3307-204F</a>	● Yellow			390
<a href="#">656-3357-303F</a>	<a href="#">656-3357-203F</a>	<a href="#">656-3357-304F</a>	<a href="#">656-3357-204F</a>	● Orange			2000
<a href="#">656-3407-303F</a>	<a href="#">656-3407-203F</a>	<a href="#">656-3407-304F</a>	<a href="#">656-3407-204F</a>	● Blue			220
<a href="#">656-3005-303F</a>		<a href="#">656-3005-304F</a>		○ White	120 (VAC/VDC)	5	660
<a href="#">656-3105-303F</a>		<a href="#">656-3105-304F</a>		● Red			410
<a href="#">656-3205-303F</a>		<a href="#">656-3205-304F</a>		● Green			800
<a href="#">656-3305-303F</a>		<a href="#">656-3305-304F</a>		● Yellow			390
<a href="#">656-3355-303F</a>		<a href="#">656-3355-304F</a>		● Orange			610
<a href="#">656-3405-303F</a>		<a href="#">656-3405-304F</a>		● Blue			220
<a href="#">656-3009-303F</a>		<a href="#">656-3009-304F</a>		○ White	230 (VAC)	3	660
<a href="#">656-3109-303F</a>		<a href="#">656-3109-304F</a>		● Red			410
<a href="#">656-3209-303F</a>		<a href="#">656-3209-304F</a>		● Green			800
<a href="#">656-3309-303F</a>		<a href="#">656-3309-304F</a>		● Yellow			390
<a href="#">656-3359-303F</a>		<a href="#">656-3359-304F</a>		● Orange			610
<a href="#">656-3409-303F</a>		<a href="#">656-3409-304F</a>		● Blue			220



657 SERIES

# Bi- and Tri-Color Watertight Series Panel Mount Indicators

**MECHANICAL / SPECIFICATIONS**

MOUNTING HOLE SIZE:  
0.687" (17.46 mm)

MAX PANEL THICKNESS:  
0.350" (8.89 mm)

MOUNTING TORQUE: 15 in-lbs

VOLTAGE OPTIONS:  
10-30 VDC (no resistor required)

OPERATING TEMP:  
-40 °C to +85 °C (-40 °F to +185 °F)

STORAGE TEMP:  
-40 °C to +100 °C (-40 °F to +212 °F)

ELECTRICAL CONNECTION:  
18 AWG anti-capillary wire,  
Common Cathode

HOUSING:  
Polycarbonate (UL 94V-0)

LENS MATERIAL:  
Polycarbonate (UL 94V-0)

WIRE LEADS:  
6" – Wire color is the same color  
as LED color; Black wire is  
common ground

LOCK WASHER:  
White Nickel Plated Bronze

NUT: White Nickel Plated Brass

**CERTIFICATIONS & RATINGS**

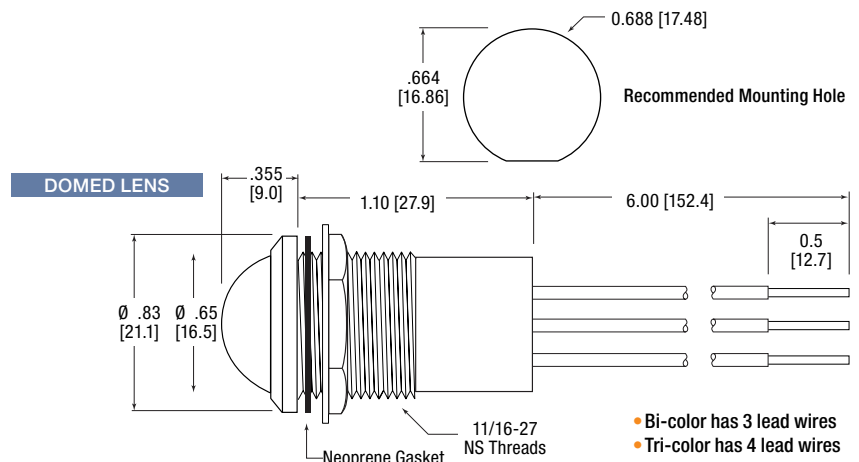
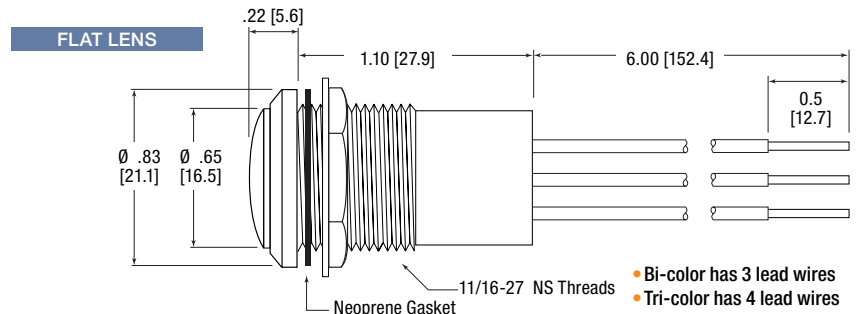
RoHS compliant  
NEMA 4X  
IP67

**APPLICATION**

The 657 Series LED Panel Mount Indicators are designed with a highly durable watertight housing. These indicators are designed for a variety of applications such as:

- Aircraft and military vehicles
- Industrial panels
- Panel lights
- EV charging
- Boats and heavy duty vehicles
- Wastewater treatment controls

**DIMENSIONS** inches [mm]



ORDERING INFORMATION

FLAT

Part Number	LED Color	Lens Color	Typ. IF (mA)	Typ. VF (VDC)	Typical Intensity (mcd)
<a href="#">657-1415-303F</a>	Red	White Diffused	20	10-30	270
	Green				515
<a href="#">657-1425-303F</a>	Red				270
	Blue				90
<a href="#">657-1435-303F</a>	Green				515
	Yellow				310
<a href="#">657-1455-303F</a>	Red				270
	Yellow				310
<a href="#">657-1465-303F</a>	Green				515
	Blue				90
<a href="#">657-1485-303F</a>	Red				270
	Green				515
	Blue				90
<a href="#">657-1495-303F</a>	Red				270
	Green				515
	Yellow				310

DOMED

Part Number	LED Color	Lens Color	Typ. IF (mA)	Typ. VF (VDC)	Typical Intensity (mcd)
<a href="#">657-2415-303F</a>	Red	White Diffused	20	10-30	255
	Green				500
<a href="#">657-2425-303F</a>	Red				255
	Blue				90
<a href="#">657-2435-303F</a>	Green				500
	Yellow				260
<a href="#">657-2455-303F</a>	Red				255
	Yellow				260
<a href="#">657-2465-303F</a>	Green				500
	Blue				90
<a href="#">657-2485-303F</a>	Red				255
	Green				500
	Blue				90
<a href="#">657-2495-303F</a>	Red				255
	Green				500
	Yellow				260



Dialight reserves the right to make changes at any time in order to supply the best product possible. The most current version of this document will always be available at: [www.dialightsignalsandcomponents.com](http://www.dialightsignalsandcomponents.com)

Warranty Statement: Except for the warranty expressly provided for at: [www.dialight.com/resources/warranties/](http://www.dialight.com/resources/warranties/), Dialight disclaims any and all other warranties, express or implied, including, without limitation, any warranties of merchantability, fitness for a particular purpose, title, and noninfringement.



## 657 SERIES Watertight Series Panel Mount Indicators

### MECHANICAL / SPECIFICATIONS

MOUNTING HOLE SIZE:  
0.687" (17.46 mm)

MAX PANEL THICKNESS:  
0.350" (8.89 mm)

MOUNTING TORQUE: 15 in-lbs

VOLTAGE OPTIONS:  
5, 12, & 24 VDC  
(no resistor required)

OPERATING TEMP:  
-35 °C to +65 °C (-31 °F to +149 °F)

STORAGE TEMP:  
-40 °C to +100 °C (-40 °F to +212 °F)

ELECTRICAL CONNECTION:  
18 AWG anti-capillary wire  
HOUSING: Polycarbonate (UL 94V-0)

LENS MATERIAL:  
Polycarbonate (UL 94V-0)

WIRE LEADS: 6"

LOCK WASHER:  
White Nickel Plated Bronze  
NUT: White Nickel Plated Brass

### CERTIFICATIONS & RATINGS

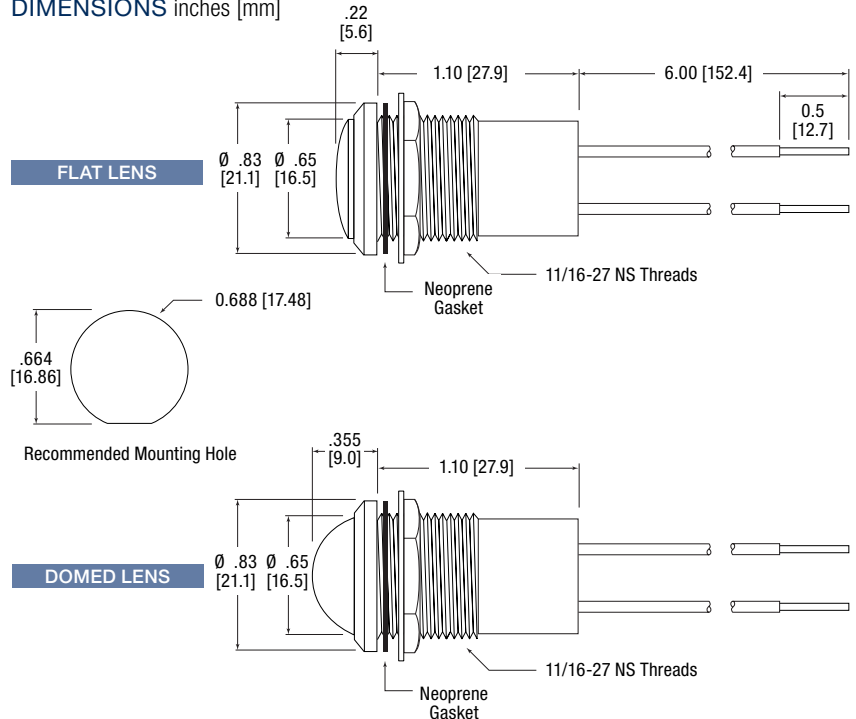
RoHS compliant  
NEMA 4X  
IP67

### APPLICATION

The 657 Series LED Panel Mount Indicators are designed with a highly durable watertight housing. These indicators are designed for a variety of applications such as:

- Control panels
- Boats and heavy duty vehicles
- Military equipment
- Pilot lights
- Industrial panels
- Wastewater treatment controls
- Bus/transit vehicle dashboards
- Agricultural/construction equipment dashboards

### DIMENSIONS inches [mm]



ORDERING INFORMATION

FLAT

Part Number			LED Color	Curr. (mA)	Typical Intensity (mcd)
5 VDC	12 VDC	24 VDC			
<b>White Diffused Lens</b>					
<a href="#">657-1002-303F</a>	<a href="#">657-1003-303F</a>	<a href="#">657-1004-303F</a>	○ White	20	150
<a href="#">657-1502-303F</a>	<a href="#">657-1503-303F</a>	<a href="#">657-1504-303F</a>	● Red		150
<a href="#">657-1602-303F</a>	<a href="#">657-1603-303F</a>	<a href="#">657-1604-303F</a>	● Green		160
<a href="#">657-1702-303F</a>	<a href="#">657-1703-303F</a>	<a href="#">657-1704-303F</a>	● Yellow		100
<a href="#">657-1802-303F</a>	<a href="#">657-1803-303F</a>	<a href="#">657-1804-303F</a>	● Blue		75
<a href="#">657-1902-303F</a>	<a href="#">657-1903-303F</a>	<a href="#">657-1904-303F</a>	● Orange		150

**Tinted Diffused Lens**

<a href="#">657-1502-103F</a>	<a href="#">657-1503-103F</a>	<a href="#">657-1504-103F</a>	● Red	20	650
<a href="#">657-1602-103F</a>	<a href="#">657-1603-103F</a>	<a href="#">657-1604-103F</a>	● Green		1150
<a href="#">657-1702-103F</a>	<a href="#">657-1703-103F</a>	<a href="#">657-1704-103F</a>	● Yellow		550
<a href="#">657-1802-103F</a>	<a href="#">657-1803-103F</a>	<a href="#">657-1804-103F</a>	● Blue		200
<a href="#">657-1902-103F</a>	<a href="#">657-1903-103F</a>	<a href="#">657-1904-103F</a>	● Orange		700

DOMED

Part Number			LED Color	Curr. (mA)	Typical Intensity (mcd)
5 VDC	12 VDC	24 VDC			
<b>White Diffused Lens</b>					
<a href="#">657-2002-303F</a>	<a href="#">657-2003-303F</a>	<a href="#">657-2004-303F</a>	○ White	20	85
<a href="#">657-2502-303F</a>	<a href="#">657-2503-303F</a>	<a href="#">657-2504-303F</a>	● Red		115
<a href="#">657-2602-303F</a>	<a href="#">657-2603-303F</a>	<a href="#">657-2604-303F</a>	● Green		150
<a href="#">657-2702-303F</a>	<a href="#">657-2703-303F</a>	<a href="#">657-2704-303F</a>	● Yellow		115
<a href="#">657-2802-303F</a>	<a href="#">657-2803-303F</a>	<a href="#">657-2804-303F</a>	● Blue		70
<a href="#">657-2902-303F</a>	<a href="#">657-2903-303F</a>	<a href="#">657-2904-303F</a>	● Orange		100

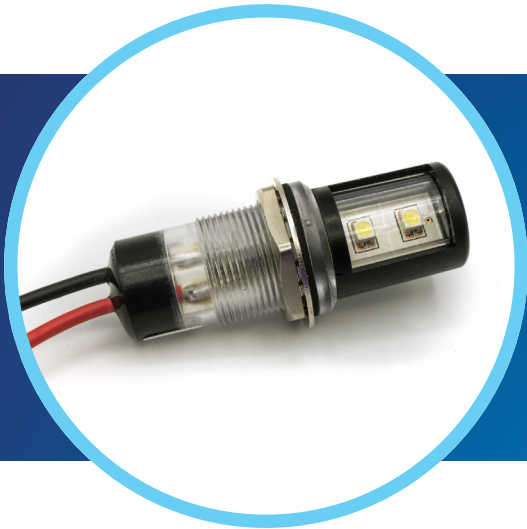
**Tinted Diffused Lens**

<a href="#">657-2502-103F</a>	<a href="#">657-2503-103F</a>	<a href="#">657-2504-103F</a>	● Red	20	900
<a href="#">657-2602-103F</a>	<a href="#">657-2603-103F</a>	<a href="#">657-2604-103F</a>	● Green		1600
<a href="#">657-2702-103F</a>	<a href="#">657-2703-103F</a>	<a href="#">657-2704-103F</a>	● Yellow		1250
<a href="#">657-2802-103F</a>	<a href="#">657-2803-103F</a>	<a href="#">657-2804-103F</a>	● Blue		250
<a href="#">657-2902-103F</a>	<a href="#">657-2903-103F</a>	<a href="#">657-2904-103F</a>	● Orange		1500



Dialight reserves the right to make changes at any time in order to supply the best product possible. The most current version of this document will always be available at: [www.dialightsignalsandcomponents.com](http://www.dialightsignalsandcomponents.com)

Warranty Statement: Except for the warranty expressly provided for at: [www.dialight.com/resources/warranties/](http://www.dialight.com/resources/warranties/), Dialight disclaims any and all other warranties, express or implied, including, without limitation, any warranties of merchantability, fitness for a particular purpose, title, and noninfringement.



## 657 SERIES Watertight Right Angle Panel Mount Indicators

### MECHANICAL / SPECIFICATIONS

MOUNTING HOLE SIZE:  
0.687" (17.46 mm)

MAX PANEL THICKNESS:  
0.350" (8.89 mm)

MOUNTING TORQUE: 15 in-lbs

VOLTAGE OPTIONS:  
12–32 VDC (no resistor required)

OPERATING TEMP:  
-35 °C to +65 °C (-31 °F to +149 °F)

STORAGE TEMP:  
-40 °C to +100 °C (-40 °F to +212 °F)

ELECTRICAL CONNECTION:  
18 AWG anti-capillary wire

HOUSING:  
Polycarbonate (UL 94V-0)

LENS MATERIAL:  
Transparent polycarbonate (UL 94V-0)

WIRE LEADS: 6"

LOCK WASHER:  
White Nickel Plated Bronze

NUT: White Nickel Plated Brass

### CERTIFICATIONS & RATINGS

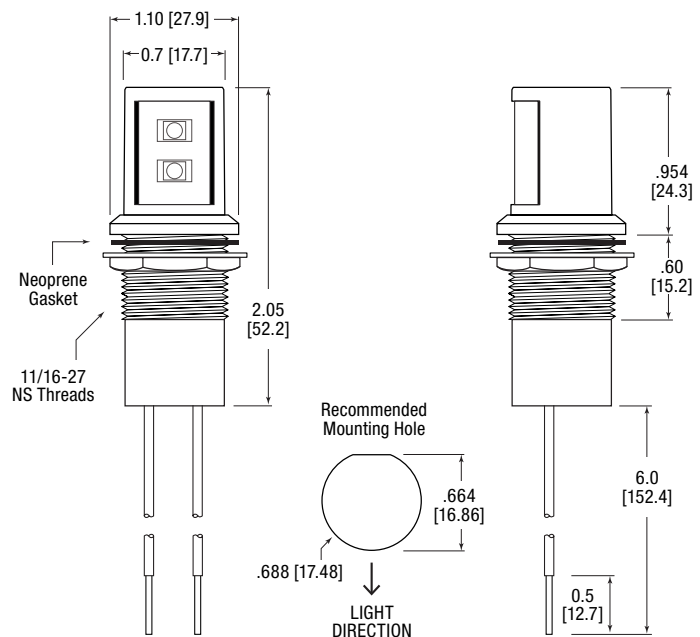
RoHS compliant  
NEMA 4X  
IP67

### APPLICATION

The 657 Series LED Panel Mount Indicators are designed with a highly durable watertight housing. These indicators are designed for a variety of applications such as:

- Instrument panels
- Gauge
- Dash boards
- Storage compartments
- Control panels

### DIMENSIONS inches [mm]



ORDERING INFORMATION

Part Number	Color	Voltage (V DC)	Current (mA)	Intensity Typ. (mcd)
<a href="#">657-3009-213F</a>	○ Cool White	12–32	24	2700
<a href="#">657-3009-804F</a>	● Red			1850
<a href="#">657-3009-803F</a>	● Green			2600
<a href="#">657-3009-808F</a>	● Orange			3500
<a href="#">657-3009-806F</a>	● Blue			600



Dialight reserves the right to make changes at any time in order to supply the best product possible. The most current version of this document will always be available at: [www.dialightsignalsandcomponents.com](http://www.dialightsignalsandcomponents.com)

Warranty Statement: Except for the warranty expressly provided for at: [www.dialight.com/resources/warranties/](http://www.dialight.com/resources/warranties/), Dialight disclaims any and all other warranties, express or implied, including, without limitation, any warranties of merchantability, fitness for a particular purpose, title, and noninfringement.



658 SERIES

# Watertight Series Panel Mount Indicators

**MECHANICAL / SPECIFICATIONS**

MOUNTING HOLE SIZE:  
1.000" (25.40 mm)

MAX PANEL THICKNESS:  
0.350" (8.89 mm)

MOUNTING TORQUE:  
15 in-lbs

VOLTAGE OPTIONS:  
Bi and Tri Color : 12-30VDC (No resistor required)  
Single Color: 8-60VDC (No resistor required)

OPERATING TEMP:  
-40 °C to +85 °C (-40 °F to +185 °F)

STORAGE TEMP:  
-40 °C to +100 °C (-40 °F to +212 °F)

ELECTRICAL CONNECTION:  
18 AWG anti-capillary wire, Common Cathode

HOUSING: Polycarbonate (UL 94V-0)

LENS MATERIAL: Polycarbonate (UL 94V-0)

WIRE LEADS:  
6"–Wire color is the same color as LED color;  
Black wire is common ground

LOCK WASHER:  
Nickel Plated Bronze

NUT:  
Nickel Plated Brass

**CERTIFICATIONS & RATINGS**

RoHS compliant  
NEMA 4X  
IP67

**FEATURES & BENEFITS**

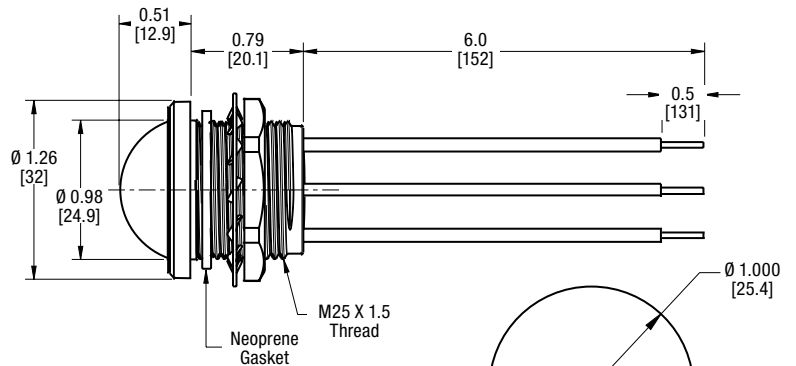
- RoHS compliant
- NEMA 4X
- IP67
- Variable voltage
- Constant intensity

**APPLICATION**

The 658 Series LED Panel Mount Indicators are designed with a highly durable watertight housing. These indicators are designed for a variety of applications such as:

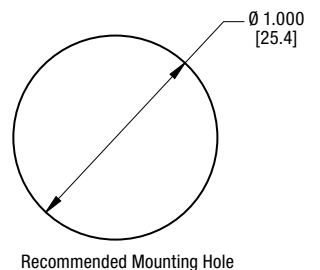
- Buses and transit vehicle dashboards
- Agricultural and construction equipment dashboards
- Electrical control panels
- Wastewater treatment controls
- Aircraft and military vehicle dashboards
- Status Indication on industrial equipment

**DIMENSIONS** inches [mm]



Single color has 2 lead wires  
Bi-color has 3 lead wires  
Tri-color has 4 lead wires

Red wire: Red Anode  
Green wire: Green Anode  
Yellow wire: Yellow Anode  
Blue wire: Blue Anode  
Black wire: (-) Cathode



ORDERING INFORMATION

Single color

Part Number	LED Color	Lens Type	Typical Power (mW)	Typ. VF (VDC)	Typical Intensity (mcd)
<a href="#">658-2506-103F</a>	● Red	Tinted Diffused	210	8-60	5000
<a href="#">658-2606-103F</a>	● Green		260		13,500
<a href="#">658-2706-103F</a>	● Yellow		180		2,200
<a href="#">658-2806-103F</a>	● Blue		240		1,500

Bi-color

Part Number	LED Color	Lens Type	Typ. IF (mA)	Typ. VF (VDC)	Typical Intensity (mcd)
<a href="#">658-2415-303F</a>	● Red	White Diffused	20	12-30	1000
	● Green				2100
<a href="#">658-2425-303F</a>	● Red				1000
	● Blue				400
<a href="#">658-2435-303F</a>	● Green				2100
	● Yellow				1000
<a href="#">658-2455-303F</a>	● Red				1000
	● Yellow				1000
<a href="#">658-2465-303F</a>	● Green				2100
	● Blue				400

Tri-color

<a href="#">658-2485-303F</a>	● Red	White Diffused	20	12-30	1000
	● Green				2100
	● Blue				400
<a href="#">658-2495-303F</a>	● Red				1000
	● Green				2100
	● Yellow				1000



Dialight reserves the right to make changes at any time in order to supply the best product possible. The most current version of this document will always be available at: [www.dialightsignalsandcomponents.com](http://www.dialightsignalsandcomponents.com)

Warranty Statement: Except for the warranty expressly provided for at: [www.dialight.com/resources/warranties/](http://www.dialight.com/resources/warranties/), Dialight disclaims any and all other warranties, express or implied, including, without limitation, any warranties of merchantability, fitness for a particular purpose, title, and noninfringement.



## 659 SERIES Watertight Panel Mount Indicators

### MECHANICAL / SPECIFICATIONS

MOUNTING HOLE SIZE:  
0.500" (12.7mm)

MAX PANEL THICKNESS:  
0.450" (11.43mm)

MOUNTING TORQUE:  
5 in.-lbs.

VOLTAGE OPTIONS:  
Single color: 6-60VDC  
Bi- and Tri-color: 6-30VDC

OPERATING TEMPERATURE:  
-40°C to +85°C

STORAGE TEMPERATURE:  
-40°C to +100°C

ELECTRICAL CONNECTION:  
20AWG wire

HOUSING:  
Polycarbonate (UL 94V-0)

WIRE LEADS:  
6" - Wire color is same as LED color;  
Black wire is common

LOCK WASHER:  
White nickel - Plate bronze

NUT:  
White nickel - Plated brass

### CERTIFICATIONS & RATINGS

RoHS Compliant  
NEMA 4X  
IP67

### FEATURES & BENEFITS

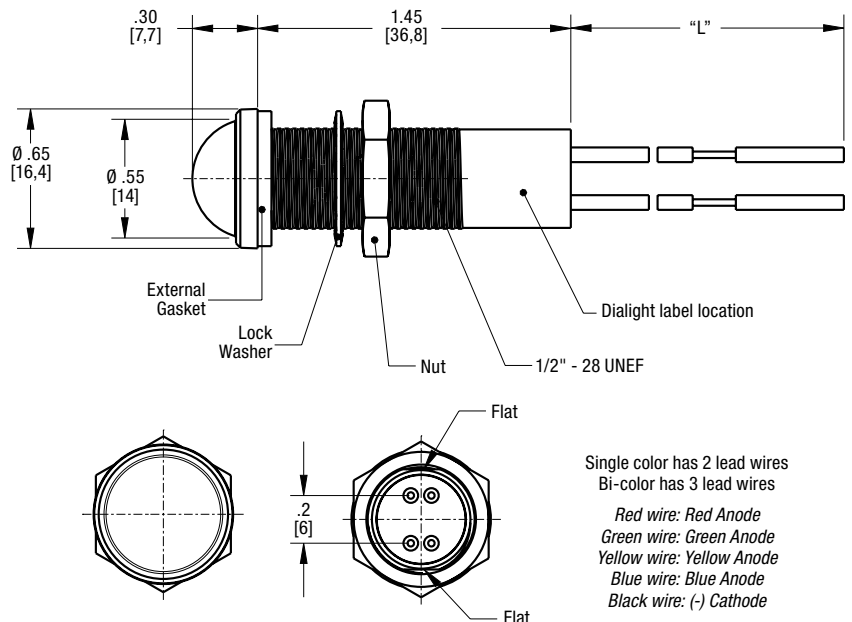
- RoHS compliant
- NEMA 4X
- IP67
- Variable voltage
- Constant intensity

### APPLICATION

The 659 Series LED panel mount indicators are designed with a highly-durable watertight housing. These indicators are designed for a variety of applications such as:

- Industrial control systems and machinery
- Maritime equipment
- Renewable energy systems
- EV charging
- Transportation infrastructure

### DIMENSIONS inches [mm]



ORDERING INFORMATION

Part Number	LED Color	Lens Color	Typ. If (mA)	Typ. VF (VDC)	Typ. Intensity (mcd)			
<b>Single Color</b>								
<a href="#">659-2506-103F</a>	● Red	Red	28mA	6-60VDC	2200			
<a href="#">659-2606-103F</a>	● Green	Green			7000			
<a href="#">659-2706-103F</a>	● Yellow	Yellow			2200			
<a href="#">659-2806-103F</a>	● Blue	Blue			1000			
<b>Bi-Color</b>								
<a href="#">659-2415-303F</a>	● Red	White Diffused	20mA	10-30VDC	1000			
	● Green				2100			
<a href="#">659-2425-303F</a>	● Red				1000			
	● Blue				400			
<a href="#">659-2435-303F</a>	● Green				2100			
	● Yellow				1000			
<a href="#">659-2455-303F</a>	● Red				1000			
	● Yellow				1000			
<a href="#">659-2465-303F</a>	● Green				2100			
	● Blue				400			
<b>Tri-Color</b>								
<a href="#">659-2485-303F</a>	● Red				White Diffused	20mA	10-30VDC	1000
	● Green	2100						
	● Blue	400						
<a href="#">659-2495-303F</a>	● Red	1000						
	● Green	2100						
	● Yellow	1000						



Dialight reserves the right to make changes at any time in order to supply the best product possible. The most current version of this document will always be available at: [www.dialightsignalsandcomponents.com](http://www.dialightsignalsandcomponents.com)

Warranty Statement: Except for the warranty expressly provided for at: [www.dialight.com/resources/warranties/](http://www.dialight.com/resources/warranties/), Dialight disclaims any and all other warranties, express or implied, including, without limitation, any warranties of merchantability, fitness for a particular purpose, title, and noninfringement.



## 675 SERIES 5mm High Intensity Panel Mount Indicators

### MECHANICAL / SPECIFICATIONS

MOUNTING HOLE SIZE:  
0.205" (5.2 mm)

MAX PANEL THICKNESS:  
0.138" (3.5 mm)

MOUNTING TORQUE:  
0.362 lbs/ft (5 kg/cm)

VOLTAGE OPTIONS:  
2 (red, orange) and 3.3 (green, blue, white) VDC  
(resistor required on both voltages)

OPERATING TEMP:  
-30 °C to +85 °C (-22 °F to +185 °F)

STORAGE TEMP:  
-40 °C to +100 °C (-40 °F to +212 °F)

ELECTRICAL CONNECTION:  
Through hole leads

HOUSING:  
Brass—Chrome plated

TERMINALS:  
Copper—Nickel Plated

LOCK WASHER:  
Iron—Nickel Plated

NUT:  
Brass—Nickel Plated

### CERTIFICATIONS & RATINGS

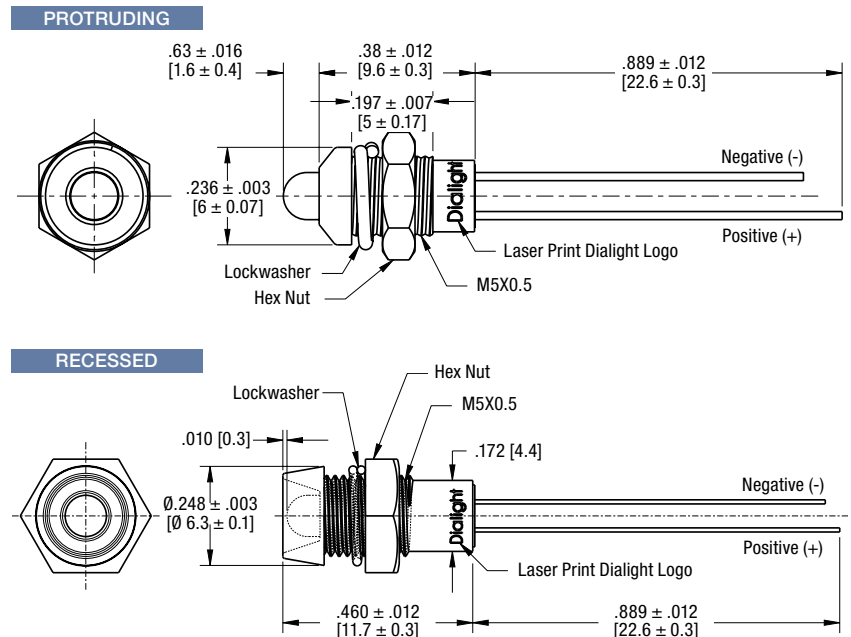
RoHS compliant

### APPLICATION

The 675 Series LED Panel Mount Indicators are designed for a variety of applications such as:

- Main power indication
- Remote power indication
- Status indication
- Maintenance and warning indication
- Instrumentation

### DIMENSIONS inches [mm]



ORDERING INFORMATION

Part Number	Color	Voltage (V DC)	Current (mA)	Typical Intensity (mcd)
<b>Protruding</b>				
<a href="#">675-1111-110F</a>	● Red	2	20	9110
<a href="#">675-1211-110F</a>	● Green	3.3		11380
<a href="#">675-1311-110F</a>	● Orange	2		9110
<a href="#">675-1411-110F</a>	● Blue	3.3		2810
<a href="#">675-1511-110F</a>	○ White	3.3		5100
<b>Recessed</b>				
<a href="#">675-2111-110F</a>	● Red	2	20	5650
<a href="#">675-2211-110F</a>	● Green	3.3		11520
<a href="#">675-2311-110F</a>	● Orange	2		7810
<a href="#">675-2411-110F</a>	● Blue	3.3		3810
<a href="#">675-2511-110F</a>	○ White	3.3		6220



Dialight reserves the right to make changes at any time in order to supply the best product possible. The most current version of this document will always be available at: [www.dialightsignalsandcomponents.com](http://www.dialightsignalsandcomponents.com)

Warranty Statement: Except for the warranty expressly provided for at: [www.dialight.com/resources/warranties/](http://www.dialight.com/resources/warranties/), Dialight disclaims any and all other warranties, express or implied, including, without limitation, any warranties of merchantability, fitness for a particular purpose, title, and noninfringement.



## 676 SERIES 6mm High Intensity Panel Mount Indicators

### MECHANICAL / SPECIFICATIONS

MOUNTING HOLE SIZE:  
0.244" (6.2 mm)

MAX PANEL THICKNESS:  
0.138" (3.5 mm)

MOUNTING TORQUE:  
0.362 lbs/ft (5 kg/cm)

VOLTAGE OPTIONS:  
2 (red, orange) and 3.3 (green, blue, white) VDC  
(resistor required on both voltages)

OPERATING TEMP:  
-30 °C to +85 °C (-22 °F to +185 °F)

STORAGE TEMP:  
-40 °C to +100 °C (-40 °F to +212 °F)

ELECTRICAL CONNECTION:  
Through hole leads

HOUSING:  
Brass – Chrome Plated

TERMINALS:  
Copper – Nickel Plated

LOCK WASHER:  
Iron – Nickel Plated

NUT:  
Brass – Nickel Plated

### CERTIFICATIONS & RATINGS

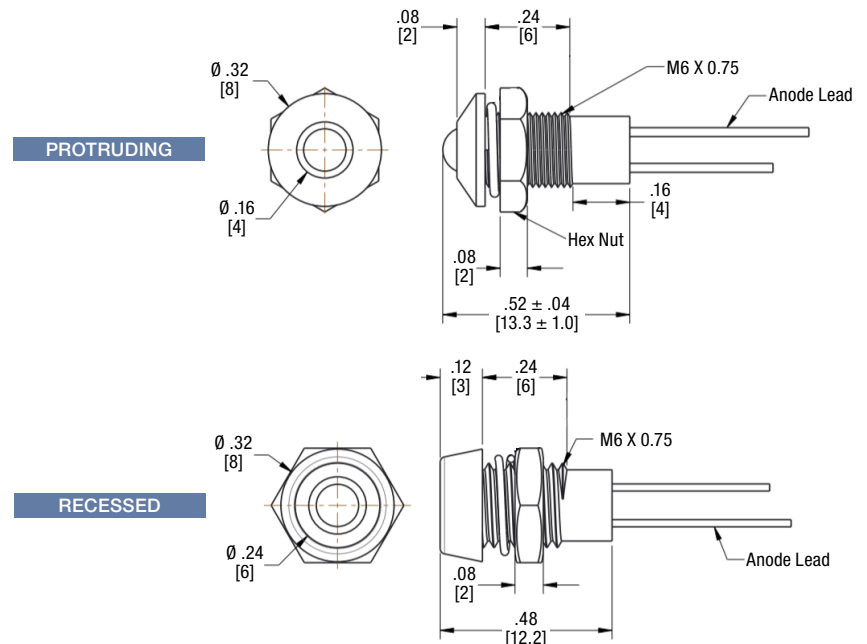
RoHS compliant

### APPLICATION

The 676 Series LED Panel Mount Indicators are designed for a variety of applications such as:

- Main power indication
- Remote power indication
- Status indication
- Maintenance and warning indication
- Instrumentation

### DIMENSIONS inches [mm]



ORDERING INFORMATION

Part Number	Color	Voltage (VDC)	Current (mA)	Typical Intensity* (mcd)
<b>Protruding</b>				
<a href="#">676-1111-110F</a>	● Red	2	20	7720
<a href="#">676-1211-110F</a>	● Green	3.3		10100
<a href="#">676-1311-110F</a>	● Orange	2		7810
<a href="#">676-1411-110F</a>	● Blue	3.3		2980
<a href="#">676-1511-110F</a>	○ White	3.3		6150
<b>Recessed</b>				
<a href="#">676-2111-110F</a>	● Red	2	20	5650
<a href="#">676-2211-110F</a>	● Green	3.3		11520
<a href="#">676-2311-110F</a>	● Orange	2		7810
<a href="#">676-2411-110F</a>	● Blue	3.3		3810
<a href="#">676-2511-110F</a>	○ White	3.3		6220



Dialight reserves the right to make changes at any time in order to supply the best product possible. The most current version of this document will always be available at: [www.dialightsignalsandcomponents.com](http://www.dialightsignalsandcomponents.com)

Warranty Statement: Except for the warranty expressly provided for at: [www.dialight.com/resources/warranties/](http://www.dialight.com/resources/warranties/), Dialight disclaims any and all other warranties, express or implied, including, without limitation, any warranties of merchantability, fitness for a particular purpose, title, and noninfringement.



## 677 SERIES 7mm High Intensity Panel Mount Indicators

### MECHANICAL / SPECIFICATIONS

MOUNTING HOLE SIZE: 0.283" (7.2 mm)

MAX PANEL THICKNESS: See part numbers

MOUNTING TORQUE:

0.362 lbs/ft (5 kg/cm)

0.217 lbs/ft or 3 kg/cm (Figure 3)

VOLTAGE OPTIONS:

6, 12 & 24 VDC (no resistor required)

OPERATING TEMP:

-20 °C to +75 °C (-4 °F to +167 °F)

STORAGE TEMP:

-40 °C to +100 °C (-40 °F to +212 °F)

ELECTRICAL CONNECTION:

Solder terminals and 6" wire leads

HOUSING:

Protruding position: Brass–Chrome or Black Plated

Recessed position: Brass–Chrome Plated

Internal position: Polycarbonate

TERMINALS: Copper–Nickel Plated

LOCK WASHER: Iron–Nickel Plated

NUT: Brass–Nickel Plated

### CERTIFICATIONS & RATINGS

RoHS compliant

NEMA 4X (with gasket)

IP66 (with gasket)

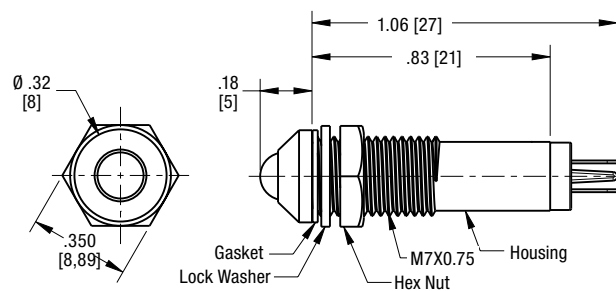
### APPLICATION

The 677 Series LED Panel Mount Indicators are designed for a variety of applications such as:

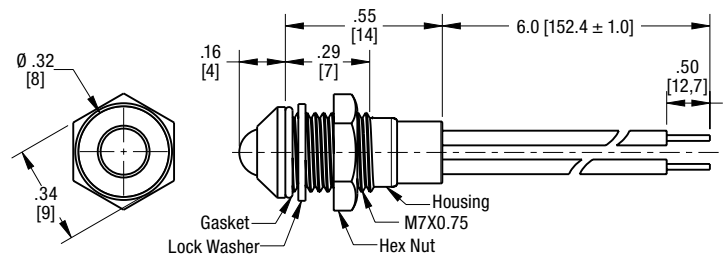
- Main power indication
- Remote power indication
- Status indication
- Maintenance and warning indication
- Instrumentation

### DIMENSIONS inches [mm]

#### PROTRUDING Non-Polarized



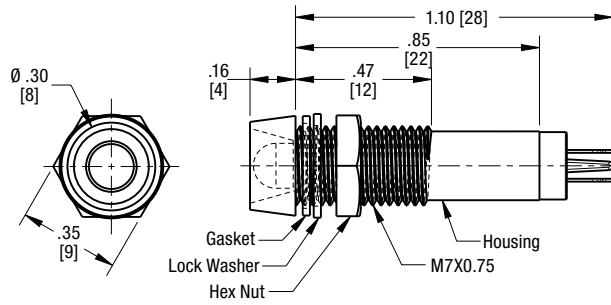
#### SOLDER TERMINALS



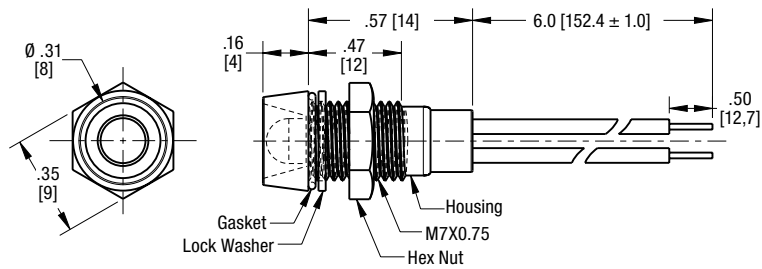
#### 6" WIRE LEADS

DIMENSIONS inches [mm]

RECESSED Non-Polarized

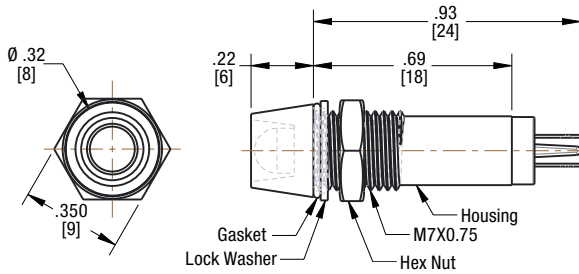


SOLDER TERMINALS

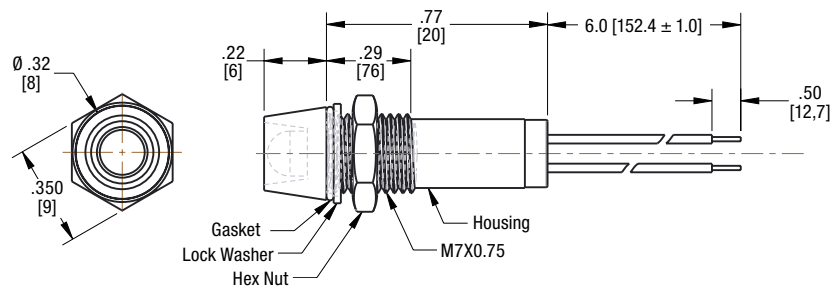


6" WIRE LEADS

INTERNAL



SOLDER TERMINALS



6" WIRE LEADS

ORDERING INFORMATION

Protruding Lens

Chrome Plated Brass Housing		Black Plated Brass Housing		Color	Voltage (VDC)	Current (mA)	Intensity Typ. (mcd)	Panel Thickness
Terminals	Wire Leads	Terminals	Wire Leads					
<a href="#">677-1112-321F</a>	<a href="#">677-1115-321F</a>	<a href="#">677-1122-321F</a>	<a href="#">677-1125-321F</a>	Red	6	15	825	0.265" (6.75 mm)
<a href="#">677-1212-322F</a>	<a href="#">677-1215-322F</a>	<a href="#">677-1222-322F</a>	<a href="#">677-1225-322F</a>	Green			4135	
<a href="#">677-1312-323F</a>	<a href="#">677-1315-323F</a>	<a href="#">677-1322-323F</a>	<a href="#">677-1325-323F</a>	Orange			560	
<a href="#">677-1412-324F</a>	<a href="#">677-1415-324F</a>	<a href="#">677-1422-324F</a>	<a href="#">677-1425-324F</a>	Blue			700	
<a href="#">677-1112-331F</a>	<a href="#">677-1115-331F</a>	<a href="#">677-1122-331F</a>	<a href="#">677-1125-331F</a>	Red	12	15	825	
<a href="#">677-1212-332F</a>	<a href="#">677-1215-332F</a>	<a href="#">677-1222-332F</a>	<a href="#">677-1225-332F</a>	Green			4135	
<a href="#">677-1312-333F</a>	<a href="#">677-1315-333F</a>	<a href="#">677-1322-333F</a>	<a href="#">677-1325-333F</a>	Orange			560	
<a href="#">677-1412-334F</a>	<a href="#">677-1415-334F</a>	<a href="#">677-1422-334F</a>	<a href="#">677-1425-334F</a>	Blue			700	
<a href="#">677-1112-341F</a>	<a href="#">677-1115-341F</a>	<a href="#">677-1122-341F</a>	<a href="#">677-1125-341F</a>	Red	24	15	825	
<a href="#">677-1212-342F</a>	<a href="#">677-1215-342F</a>	<a href="#">677-1222-342F</a>	<a href="#">677-1225-342F</a>	Green			4135	
<a href="#">677-1312-343F</a>	<a href="#">677-1315-343F</a>	<a href="#">677-1322-343F</a>	<a href="#">677-1325-343F</a>	Orange			560	
<a href="#">677-1412-344F</a>	<a href="#">677-1415-344F</a>	<a href="#">677-1422-344F</a>	<a href="#">677-1425-344F</a>	Blue			700	

Recessed Lens

Chrome Plated Brass Housing		Color	Voltage (VDC)	Current (mA)	Intensity Typ. (mcd)	Panel Thickness
Terminals	Wire Leads					
<a href="#">677-2112-321F</a>	<a href="#">677-2115-321F</a>	Red	6	15	925	0.336" (8.50 mm)
<a href="#">677-2212-322F</a>	<a href="#">677-2215-322F</a>	Green			4135	
<a href="#">677-2312-323F</a>	<a href="#">677-2315-323F</a>	Orange			600	
<a href="#">677-2412-324F</a>	<a href="#">677-2415-324F</a>	Blue			730	
<a href="#">677-2112-331F</a>	<a href="#">677-2115-331F</a>	Red	12	15	925	
<a href="#">677-2212-332F</a>	<a href="#">677-2215-332F</a>	Green			4135	
<a href="#">677-2312-333F</a>	<a href="#">677-2315-333F</a>	Orange			600	
<a href="#">677-2412-334F</a>	<a href="#">677-2415-334F</a>	Blue			730	
<a href="#">677-2112-341F</a>	<a href="#">677-2115-341F</a>	Red	24	15	925	
<a href="#">677-2212-342F</a>	<a href="#">677-2215-342F</a>	Green			4135	
<a href="#">677-2312-343F</a>	<a href="#">677-2315-343F</a>	Orange			600	
<a href="#">677-2412-344F</a>	<a href="#">677-2415-344F</a>	Blue			730	

Internal Lens

Polycarbonate Housing		Color	Voltage (VDC)	Current (mA)	Intensity Typ. (mcd)	Panel Thickness
Terminals	Wire Leads					
<a href="#">677-3132-321F</a>	<a href="#">677-3135-321F</a>	Red	6	15	1370	0.187" (4.75 mm)
<a href="#">677-3232-322F</a>	<a href="#">677-3235-322F</a>	Green			5500	
<a href="#">677-3332-323F</a>	<a href="#">677-3335-323F</a>	Orange			1280	
<a href="#">677-3432-324F</a>	<a href="#">677-3435-324F</a>	Blue			1200	
<a href="#">677-3132-331F</a>	<a href="#">677-3135-331F</a>	Red	12	15	1370	
<a href="#">677-3232-332F</a>	<a href="#">677-3235-332F</a>	Green			5500	
<a href="#">677-3332-333F</a>	<a href="#">677-3335-333F</a>	Orange			1280	
<a href="#">677-3432-334F</a>	<a href="#">677-3435-334F</a>	Blue			1200	
<a href="#">677-3132-341F</a>	<a href="#">677-3135-341F</a>	Red	24	15	1370	
<a href="#">677-3232-342F</a>	<a href="#">677-3235-342F</a>	Green			5500	
<a href="#">677-3332-343F</a>	<a href="#">677-3335-343F</a>	Orange			1280	
<a href="#">677-3432-344F</a>	<a href="#">677-3435-344F</a>	Blue			1200	



Dialight reserves the right to make changes at any time in order to supply the best product possible. The most current version of this document will always be available at: [www.dialightsignalsandcomponents.com](http://www.dialightsignalsandcomponents.com)

Warranty Statement: Except for the warranty expressly provided for at: [www.dialight.com/resources/warranties/](http://www.dialight.com/resources/warranties/), Dialight disclaims any and all other warranties, express or implied, including, without limitation, any warranties of merchantability, fitness for a particular purpose, title, and noninfringement.



## 678 SERIES 8mm High Intensity Panel Mount Indicators

### MECHANICAL / SPECIFICATIONS

**MOUNTING HOLE SIZE:**

0.323" (8.2 mm) [Fig. 1 & 2];  
0.335" (8.5 mm) [Fig. 3]

**MAX PANEL THICKNESS:**

see part number table

**MOUNTING TORQUE:**

0.271 lbs/ft (3 kg/cm) [Fig. 1 & 2]  
0.362 lbs/ft (5 kg/cm) torque [Fig. 3]

**OPERATING VOLTAGE:**

2 & 3.3 VDC [Fig. 1 & 2]; 6, 12 & 24 VDC [Fig. 3]  
(no resistor required)

**OPERATING TEMP:**

-20 °C to +75 °C (-4°F to 167°F)

**STORAGE TEMP:**

-40°C to +100°C (-40°F to 212°F)

**ELECTRICAL CONNECTION:**

Straight leads [Fig. 1 & 2]; Solder terminals or 6" wire leads [Fig. 3]

**HOUSING:**

Protruding: Chrome plated brass; Internal position:  
Polycarbonate

**TERMINALS:** Copper–Nickel Plated

**LOCK WASHER:** Iron–Nickel Plated

**NUT:** Brass–Nickel Plated

### CERTIFICATIONS & RATINGS

RoHS compliant  
IP66 (protruding type only)

### APPLICATION

The 678 Series LED Panel Mount Indicators are designed for a variety of applications such as:

- Main power indication
- Remote power indication
- Status indication
- Maintenance and warning indication
- Instrumentation

### DIMENSIONS inches [mm]

FIGURE 1

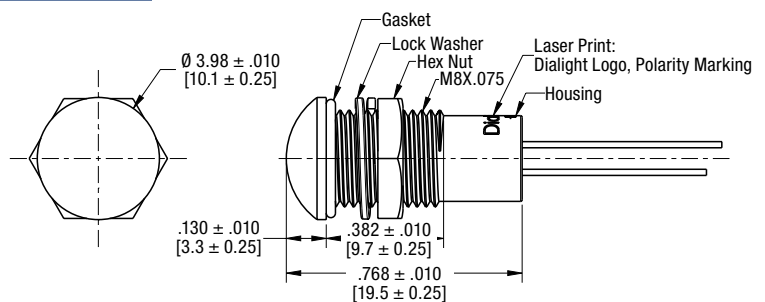
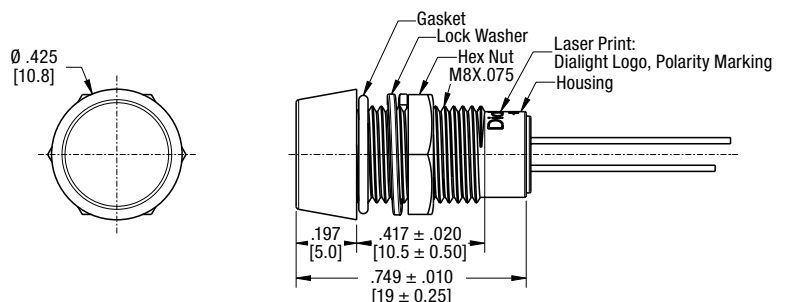


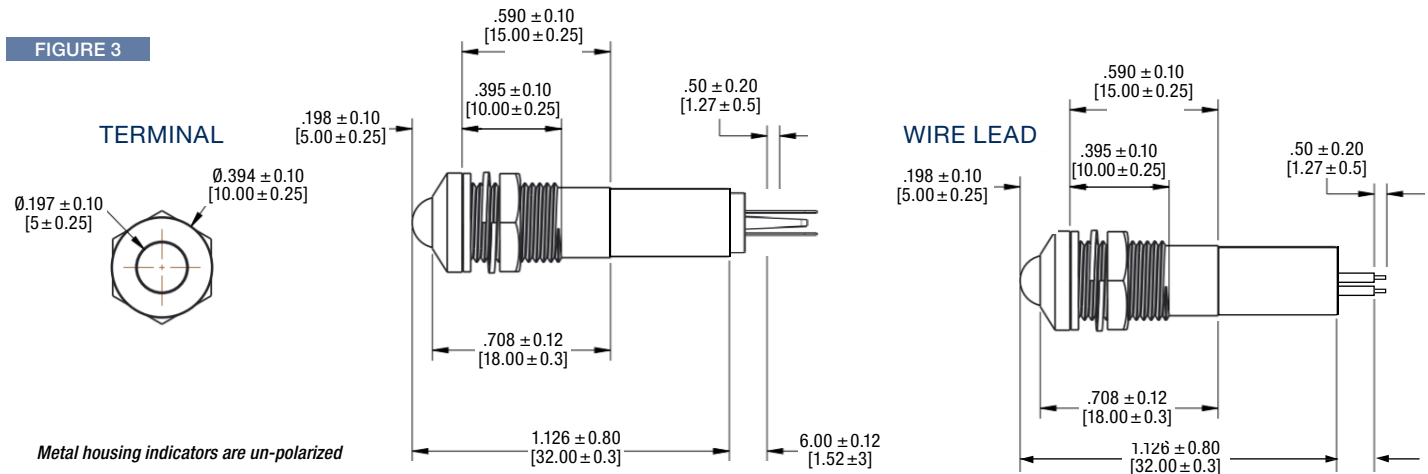
FIGURE 2



*These indicators are un-polarized*

DIMENSIONS inches [mm]

FIGURE 3



Metal housing indicators are un-polarized

ORDERING INFORMATION

Part Number	Color	Voltage (V DC)	Current (mA)	Typical Intensity (mcd)	Viewing Angle	LED Position	Fig. #	Mount Style	Panel Thickness
-------------	-------	----------------	--------------	-------------------------	---------------	--------------	--------	-------------	-----------------

Polycarbonate

<a href="#">678-1131-111F</a>	Red	2	15	2210	4	Internal	1	Lock washer & nut	.2165" (5.5 mm)
<a href="#">678-1231-112F</a>	Green	3.3		46860					
<a href="#">678-1331-113F</a>	Orange	2		2210					
<a href="#">678-1431-114F</a>	Blue	3.3		7100					
<a href="#">678-3131-111F</a>	Red	2		3020	40		2		
<a href="#">678-3231-112F</a>	Green	3.3		30600	20				
<a href="#">678-3331-113F</a>	Orange	2		3260	20				
<a href="#">678-3431-114F</a>	Blue	3.3		4360	40				

White Nickel

Part Number	Part Number	Color	Voltage (V DC)	Current (mA)	Typical Intensity (mcd)	Viewing Angle	LED Position	Fig. #	Mount Style	Panel Thickness
<a href="#">678-1112-321F</a>	<a href="#">678-1115-321F</a>	Red	6	15	320	20	Protruding	3	Lock washer & nut	.3158" (8.0 mm)
<a href="#">678-1212-322F</a>	<a href="#">678-1215-322F</a>	Green			2920					
<a href="#">678-1312-323F</a>	<a href="#">678-1315-323F</a>	Orange			490					
<a href="#">678-1412-324F</a>	<a href="#">678-1415-324F</a>	Blue			220					
<a href="#">678-1112-331F</a>	<a href="#">678-1115-331F</a>	Red	12	15	320	20	Protruding	3	Lock washer & nut	.3158" (8.0 mm)
<a href="#">678-1212-332F</a>	<a href="#">678-1215-332F</a>	Green			2920					
<a href="#">678-1312-333F</a>	<a href="#">678-1315-333F</a>	Orange			490					
<a href="#">678-1412-334F</a>	<a href="#">678-1415-334F</a>	Blue			220					
<a href="#">678-1112-341F</a>	<a href="#">678-1115-341F</a>	Red	24	15	320	20	Protruding	3	Lock washer & nut	.3158" (8.0 mm)
<a href="#">678-1212-342F</a>	<a href="#">678-1215-342F</a>	Green			2920					
<a href="#">678-1312-343F</a>	<a href="#">678-1315-343F</a>	Orange			490					
<a href="#">678-1412-344F</a>	<a href="#">678-1415-344F</a>	Blue			220					



Dialight reserves the right to make changes at any time in order to supply the best product possible. The most current version of this document will always be available at: [www.dialightsignalsandcomponents.com](http://www.dialightsignalsandcomponents.com)

Warranty Statement: Except for the warranty expressly provided for at: [www.dialight.com/resources/warranties/](http://www.dialight.com/resources/warranties/), Dialight disclaims any and all other warranties, express or implied, including, without limitation, any warranties of merchantability, fitness for a particular purpose, title, and noninfringement.



679 SERIES

# 9mm High Intensity Panel Mount Indicators

**MECHANICAL / SPECIFICATIONS**

MOUNTING HOLE SIZE:  
0.374" (9.5 mm)

MAX PANEL THICKNESS:  
0.374" (9.5 mm);

WITH GASKET:  
0.318" (8.0 mm)

MOUNTING TORQUE:  
0.362 lbs/ft (5 kg/cm)

VOLTAGE OPTIONS:  
6, 12 & 24 V DC (no resistor required)

OPERATING TEMP:  
-20 °C to +75 °C (-4 °F to +167 °F)

STORAGE TEMP:  
-40 °C to +100 °C (-40 °F to +212 °F)

ELECTRICAL CONNECTION:  
Solder terminals, 6" wire leads

**HOUSING:**

Brass-Chrome or Black Plated

**TERMINALS:**

Copper-Nickel Plated

**LOCK WASHER:**

Iron-Nickel Plated

**NUT:**

Brass-Nickel Plated

**CERTIFICATIONS & RATINGS**

RoHS compliant  
NEMA 4X (with gasket)  
IP66 (with gasket)

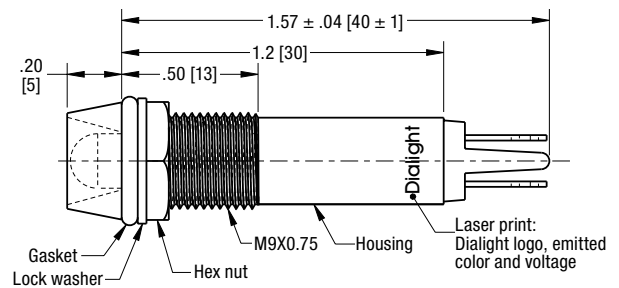
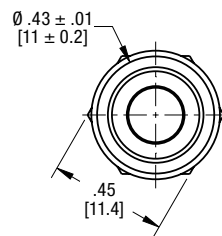
**APPLICATION**

The 679 Series LED Panel Mount Indicators are designed for a variety of applications such as:

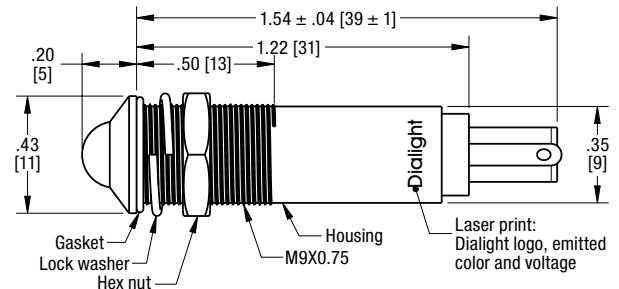
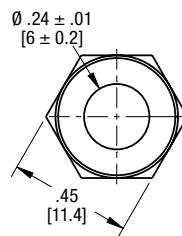
- Main power indication
- Remote power indication
- Status indication
- Maintenance and warning indication
- Instrumentation

**DIMENSIONS** inches [mm]

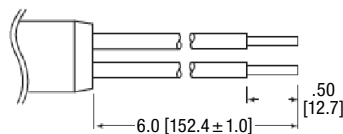
**RECESSED Non-Polarized**



**PROTRUDING Non-Polarized**



**6" WIRE LEADS**



ORDERING INFORMATION

**Recessed LED**

Part Number / Termination		Color	Voltage (V DC)	Current (mA)	Intensity Typ. (mcd)	Plating
Solder Terminals	6" Wire Leads					
<a href="#">679-2112-321F</a>	<a href="#">679-2115-321F</a>	● Red	6	15	775	Chrome
<a href="#">679-2212-322F</a>	<a href="#">679-2215-322F</a>	● Green			5870	
<a href="#">679-2312-323F</a>	<a href="#">679-2315-323F</a>	● Orange			1570	
<a href="#">679-2412-324F</a>	<a href="#">679-2415-324F</a>	● Blue			270	
<a href="#">679-2112-331F</a>	<a href="#">679-2115-331F</a>	● Red	12		775	
<a href="#">679-2212-332F</a>	<a href="#">679-2215-332F</a>	● Green			5870	
<a href="#">679-2312-333F</a>	<a href="#">679-2315-333F</a>	● Orange			1570	
<a href="#">679-2412-334F</a>	<a href="#">679-2415-334F</a>	● Blue			270	
<a href="#">679-2112-341F</a>	<a href="#">679-2115-341F</a>	● Red	24		775	
<a href="#">679-2212-342F</a>	<a href="#">679-2215-342F</a>	● Green			5870	
<a href="#">679-2312-343F</a>	<a href="#">679-2315-343F</a>	● Orange			1570	
<a href="#">679-2412-344F</a>	<a href="#">679-2415-344F</a>	● Blue			270	
<a href="#">679-2122-321F</a>	<a href="#">679-2125-321F</a>	● Red	6		775	Black
<a href="#">679-2222-322F</a>	<a href="#">679-2225-322F</a>	● Green			5870	
<a href="#">679-2322-323F</a>	<a href="#">679-2325-323F</a>	● Orange			1570	
<a href="#">679-2422-324F</a>	<a href="#">679-2425-324F</a>	● Blue			270	
<a href="#">679-2122-331F</a>	<a href="#">679-2125-331F</a>	● Red	12		775	
<a href="#">679-2222-332F</a>	<a href="#">679-2225-332F</a>	● Green			5870	
<a href="#">679-2322-333F</a>	<a href="#">679-2325-333F</a>	● Orange			1570	
<a href="#">679-2422-334F</a>	<a href="#">679-2425-334F</a>	● Blue			270	
<a href="#">679-2122-341F</a>	<a href="#">679-2125-341F</a>	● Red	24		775	
<a href="#">679-2222-342F</a>	<a href="#">679-2225-342F</a>	● Green			5870	
<a href="#">679-2322-343F</a>	<a href="#">679-2325-343F</a>	● Orange			1570	
<a href="#">679-2422-344F</a>	<a href="#">679-2425-344F</a>	● Blue			270	

**Protruding LED**

Part Number / Termination		Color	Voltage (V DC)	Current (mA)	Intensity Typ. (mcd)	Plating
Solder Terminals	6" Wire Leads					
<a href="#">679-1112-321F</a>	<a href="#">679-1115-321F</a>	● Red	6	15	485	Chrome
<a href="#">679-1212-322F</a>	<a href="#">679-1215-322F</a>	● Green			5870	
<a href="#">679-1312-323F</a>	<a href="#">679-1315-323F</a>	● Orange			1570	
<a href="#">679-1412-324F</a>	<a href="#">679-1415-324F</a>	● Blue			215	
<a href="#">679-1112-331F</a>	<a href="#">679-1115-331F</a>	● Red	12		485	
<a href="#">679-1212-332F</a>	<a href="#">679-1215-332F</a>	● Green			5870	
<a href="#">679-1312-333F</a>	<a href="#">679-1315-333F</a>	● Orange			1570	
<a href="#">679-1412-334F</a>	<a href="#">679-1415-334F</a>	● Blue			215	
<a href="#">679-1112-341F</a>	<a href="#">679-1115-341F</a>	● Red	24		485	
<a href="#">679-1212-342F</a>	<a href="#">679-1215-342F</a>	● Green			5870	
<a href="#">679-1312-343F</a>	<a href="#">679-1315-343F</a>	● Orange			1570	
<a href="#">679-1412-344F</a>	<a href="#">679-1415-344F</a>	● Blue			215	
<a href="#">679-1122-321F</a>	<a href="#">679-1125-321F</a>	● Red	6		485	Black
<a href="#">679-1222-322F</a>	<a href="#">679-1225-322F</a>	● Green			5870	
<a href="#">679-1322-323F</a>	<a href="#">679-1325-323F</a>	● Orange			1570	
<a href="#">679-1422-324F</a>	<a href="#">679-1425-324F</a>	● Blue			215	
<a href="#">679-1122-331F</a>	<a href="#">679-1125-331F</a>	● Red	12		485	
<a href="#">679-1222-332F</a>	<a href="#">679-1225-332F</a>	● Green			5870	
<a href="#">679-1322-333F</a>	<a href="#">679-1325-333F</a>	● Orange			1570	
<a href="#">679-1422-334F</a>	<a href="#">679-1425-334F</a>	● Blue			215	
<a href="#">679-1122-341F</a>	<a href="#">679-1125-341F</a>	● Red	24		485	
<a href="#">679-1222-342F</a>	<a href="#">679-1225-342F</a>	● Green			5870	
<a href="#">679-1322-343F</a>	<a href="#">679-1325-343F</a>	● Orange			1570	
<a href="#">679-1422-344F</a>	<a href="#">679-1425-344F</a>	● Blue			215	



Dialight reserves the right to make changes at any time in order to supply the best product possible. The most current version of this document will always be available at: [www.dialightsignalsandcomponents.com](http://www.dialightsignalsandcomponents.com)

Warranty Statement: Except for the warranty expressly provided for at: [www.dialight.com/resources/warranties/](http://www.dialight.com/resources/warranties/), Dialight disclaims any and all other warranties, express or implied, including, without limitation, any warranties of merchantability, fitness for a particular purpose, title, and noninfringement.



## 682 SERIES 12mm High Intensity Panel Mount Indicators

### MECHANICAL / SPECIFICATIONS

MOUNTING HOLE SIZE:  
0.492" (12.5 mm)

MAX PANEL THICKNESS:  
0.236" (6.0 mm)

MOUNTING TORQUE:  
0.217 lbs/ft (3 kg/cm)

VOLTAGE OPTIONS:  
6, 12 & 24 VDC (no resistor required)

OPERATING TEMP:  
-20 °C to +75 °C (-4 °F to +167 °F)

STORAGE TEMP:  
-40 °C to +100 °C (-40 °F to +212 °F)

ELECTRICAL CONNECTION:  
Solder terminals or  
26AWG UL 1007 6" wire leads

HOUSING:  
Polycarbonate

TERMINALS:  
Copper-Nickel Plated

LOCK WASHER:  
Iron-Nickel Plated

NUT:  
Brass-Nickel Plated

### CERTIFICATIONS & RATINGS

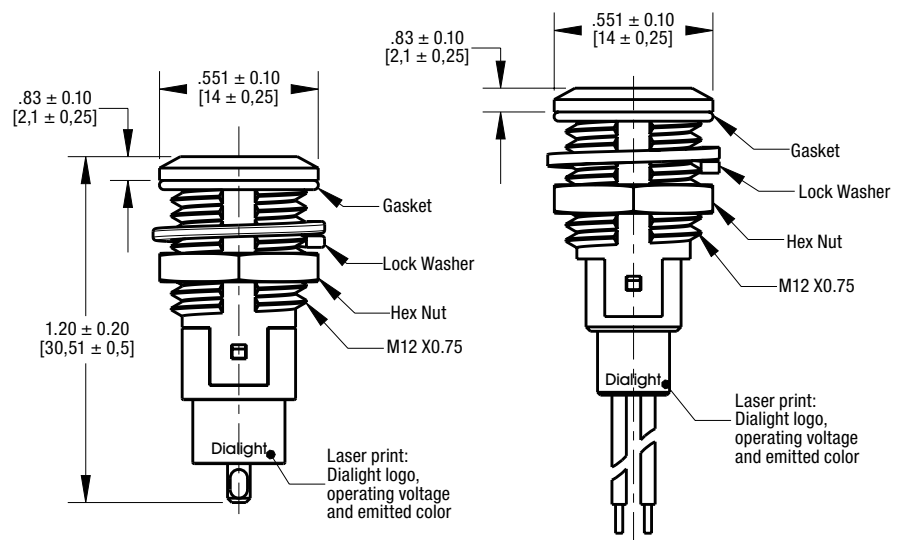
RoHS compliant

### APPLICATION

The 682 Series LED Panel Mount Indicators are designed for a variety of applications such as:

- Main power indication
- Remote power indication
- Status indication
- Maintenance and warning indication
- Instrumentation

### DIMENSIONS inches [mm]



*These indicators are un-polarized*

ORDERING INFORMATION

Part Number		Color	Voltage (VDC)	Current (mA)	Intensity Typ. (mcd)
Terminals	Wire Leads				
<a href="#">682-3132-121F</a>	<a href="#">682-3135-121F</a>	● Red	6	15	510
<a href="#">682-3232-122F</a>	<a href="#">682-3235-122F</a>	● Green			2225
<a href="#">682-3332-123F</a>	<a href="#">682-3335-123F</a>	● Orange			510
<a href="#">682-3432-124F</a>	<a href="#">682-3435-124F</a>	● Blue			260
<a href="#">682-3132-131F</a>	<a href="#">682-3135-131F</a>	● Red	12		510
<a href="#">682-3232-132F</a>	<a href="#">682-3235-132F</a>	● Green			2225
<a href="#">682-3332-133F</a>	<a href="#">682-3335-133F</a>	● Orange			510
<a href="#">682-3432-134F</a>	<a href="#">682-3435-134F</a>	● Blue			260
<a href="#">682-3132-141F</a>	<a href="#">682-3135-141F</a>	● Red	24		510
<a href="#">682-3232-142F</a>	<a href="#">682-3235-142F</a>	● Green			2225
<a href="#">682-3332-143F</a>	<a href="#">682-3335-143F</a>	● Orange			510
<a href="#">682-3432-144F</a>	<a href="#">682-3435-144F</a>	● Blue			260



Dialight reserves the right to make changes at any time in order to supply the best product possible. The most current version of this document will always be available at: [www.dialightsignalsandcomponents.com](http://www.dialightsignalsandcomponents.com)

Warranty Statement: Except for the warranty expressly provided for at: [www.dialight.com/resources/warranties/](http://www.dialight.com/resources/warranties/), Dialight disclaims any and all other warranties, express or implied, including, without limitation, any warranties of merchantability, fitness for a particular purpose, title, and noninfringement.



## 271 SERIES Indicator Base

### MECHANICAL / SPECIFICATIONS

BASE PART NUMBER:

[271-8430-702](#)

MOUNTING HOLE SIZE:

15/32" clearance hole (.468")

MOUNTING ORIENTATION: Rear

BULB BASE SIZE:

T-1 3/4 Midget Flange

TERMINATION:

Brass solder terminals, hot tinned

WITH ELONGATED SLOTS

HOUSING FINISH:

Brass housing, cadmium plated with yellow iridescent chromate finish

HARDWARE:

Internal tooth lock washer and hex mounting nut: steel, cadmium plated with yellow iridescent chromate finish

VOLTAGE / RESISTOR: Bulb Dependent

LENS CAP OPTIONS:

Light Seal Cap

MILITARY COMPLIANT: Yes

MILITARY CROSS #: LH92/1

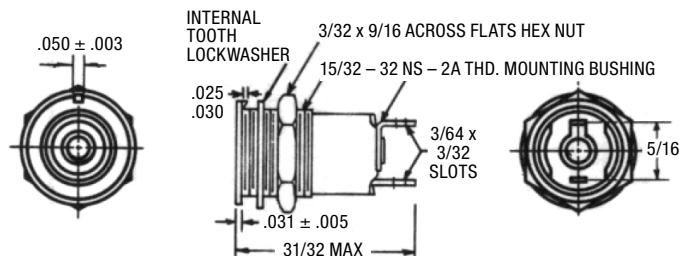
### FEATURES & BENEFITS

- Two terminals – fully insulated
- For mounting in 15/32" clearance hole
- Meets all applicable requirements of MIL-L7806, MIL-L-3361C and MS25010- REV D
- Anti-rotation notch on face of flange prevents rotation of unit while nut is being tightened
- Designed to emit light through a lens radially into the plastic plate. A resilient light seal washer insures against light loss at the front of the panel

### APPLICATION

- Military vehicles
- Aircraft cockpits
- Naval ship control panels
- Field communication equipment
- Weapons systems
- Surveillance and radar systems

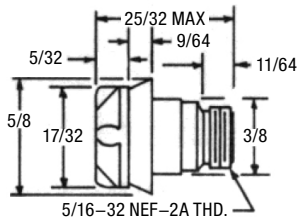
### DIMENSIONS inches [mm]



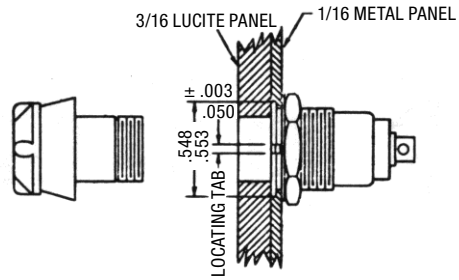
MAX PANEL THICKNESS 15/64"

*Base, bulb, and cap are required for a complete indicator assembly and need to be purchased separately.*

ORDERING INFORMATION



LIGHT SEAL CAP



LIGHT SEAL CAP ASSEMBLY

LIGHT SEAL CAP

	Type Designation	Part Number	Top Color	Filter Color	Light Seal Washer Opaque
	LC34EN2/D02	<a href="#">271-0111</a>	Black	● Red	Black
	LC34CN2/D02	<a href="#">271-0171</a>	Black	○ Clear	Black
	LC34CN2/S02	<a href="#">271-0272</a>	Gray	○ Clear	Gray



Dialight reserves the right to make changes at any time in order to supply the best product possible. The most current version of this document will always be available at: [www.dialightsignalsandcomponents.com](http://www.dialightsignalsandcomponents.com)

Warranty Statement: Except for the warranty expressly provided for at: [www.dialight.com/resources/warranties/](http://www.dialight.com/resources/warranties/), Dialight disclaims any and all other warranties, express or implied, including, without limitation, any warranties of merchantability, fitness for a particular purpose, title, and noninfringement.



## 359 SERIES Indicator Base

### MECHANICAL / SPECIFICATIONS

BASE PART NUMBER:

[359-8430-09-502](#)

MOUNTING:

15/32" clearance hole (.468")

MOUNTING ORIENTATION:

Front

BULB BASE SIZE:

T-1 3/4 Midget Flange

TERMINATION:

Brass solder terminals, hot tinned with elongated slots

HOUSING FINISH:

Aluminum housing, black anodized finish

HARDWARE:

Internal-tooth lock washer and mounting nut:  
Steel, cadmium plated with yellow iridescent chromate finish

VOLTAGE / RESISTOR: Bulb Dependent

LENS CAP OPTIONS:

Stovepipe and Cylindrical  
Non-Diffused and Translucent

MILITARY COMPLIANT: Yes

MILITARY CROSS #: LH73/1

### CERTIFICATIONS & RATINGS

RoHS Compliant w/6C exemption

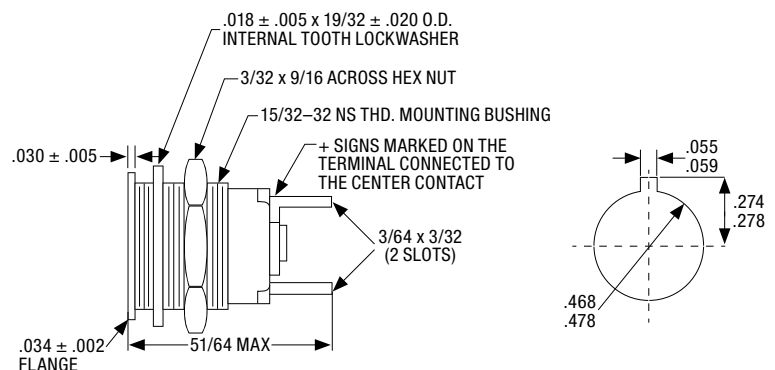
### FEATURES & BENEFITS

- Two terminals – fully insulated
- For mounting in 15/32" clearance hole
- Meet or exceed environmental and operational requirements of MIL-L-6723 and MIL-L-3661C
- Anti-rotation (locked) construction: provides for secure locking of the socket terminal assembly in the mounting bushing and of the center terminal to the insulating disc. The notched mounting bushing receives the matched insulating disc to prevent the rotation of the mounting bushing.

### APPLICATION

Aircraft instrumentation, ground vehicles, shipboard systems, communication equipment, power distribution, radar and sonar systems, control panels, safety systems

### DIMENSIONS inches [mm]

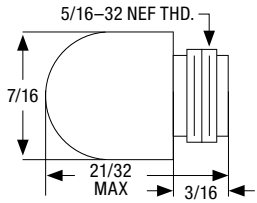


MAX PANEL THICKNESS 3/16"

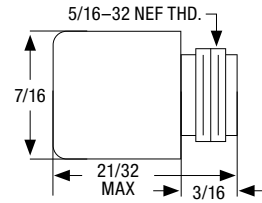
RECOMMENDED PANEL CUTOUT

*Base, bulb, and cap are required for a complete indicator assembly and need to be purchased separately.*

ORDERING INFORMATION



STOVEPIPE LENS CAP



CYLINDRICAL LENS CAP

STOVEPIPE LENS CAP  
Non-Diffused

	Type Designation	Part Number	Lens Cap Color
	LC12RN2	<a href="#">162-0931</a>	● Red
	LC12GN2	<a href="#">162-0932</a>	● Green
	LC12YN2	<a href="#">162-0933</a>	● Yellow
	LC12BN2	<a href="#">162-0934</a>	● Blue
	LC12CN2	<a href="#">162-0937</a>	○ Clear

Translucent

	Type Designation	Part Number	Lens Cap Color
	LC12RT2	<a href="#">162-0971</a>	● Red
	LC12GT2	<a href="#">162-0972</a>	● Green
	LC12YT2	<a href="#">162-0973</a>	● Yellow
	LC12BT2	<a href="#">162-0974</a>	● Blue
	LC12WT2	<a href="#">162-0975</a>	○ White

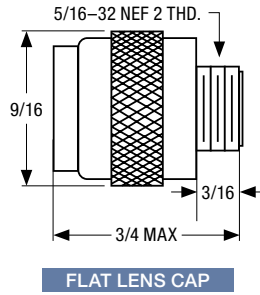
CYLINDRICAL LENS CAP  
Non-Diffused

	Type Designation	Part Number	Lens Cap Color
	LC29GN2	<a href="#">162-1432</a>	● Green
	LC29YN2	<a href="#">162-1433</a>	● Yellow
	LC29CN2	<a href="#">162-1437</a>	○ Clear

Translucent

	Type Designation	Part Number	Lens Cap Color
	LC29RT2	<a href="#">162-1471</a>	● Red
	LC29GT2	<a href="#">162-1472</a>	● Green
	LC29YT2	<a href="#">162-1473</a>	● Yellow
	LC29BT2	<a href="#">162-1474</a>	● Blue
	LC29WT2	<a href="#">162-1475</a>	○ White






ORDERING INFORMATION



FLAT LENS CAP  
Non-Diffused

	Type Designation	Part Number	Lens Cap Color
	LC11RN2	<a href="#">178-0331-500</a>	● Red
	LC11GN2	<a href="#">178-0332-500</a>	● Green
	LC11YN2	<a href="#">178-0333-500</a>	● Yellow
	LC11BN2	<a href="#">178-0334-500</a>	● Blue
	LC11CN2	<a href="#">178-0337-500</a>	○ Clear

Translucent

	Type Designation	Part Number	Lens Cap Color
	LC11RT2	<a href="#">178-0371-500</a>	● Red
	LC11GT2	<a href="#">178-0372-500</a>	● Green
	LC11YT2	<a href="#">178-0373-500</a>	● Yellow
	LC11BT2	<a href="#">178-0374-500</a>	● Blue
	LC11WT2	<a href="#">178-0375-500</a>	○ White



## 362 SERIES Indicator Base

### MECHANICAL / SPECIFICATIONS

BASE PART NUMBER:

[362-8430-09-702](#)

MOUNTING:

15/32" clearance hole (.468")

MOUNTING ORIENTATION:

Front

MOUNTING TORQUE:

20 in-lbs

BULB BASE SIZE:

T-1 3/4 Midget Flange

TERMINATION:

Brass solder terminals, hot tinned  
with elongated slots

HOUSING FINISH:

Aluminum housing, yellow iridescent  
chromate finish

HARDWARE: Steel

VOLTAGE / RESISTOR: Bulb Dependent

LENS CAP OPTIONS: Flat

+ EMI/RFI mesh shielding internal

MILITARY COMPLIANT: Yes

MILITARY CROSS #: LH73/2

### CERTIFICATIONS & RATINGS

RoHS Compliant w/6C exemption

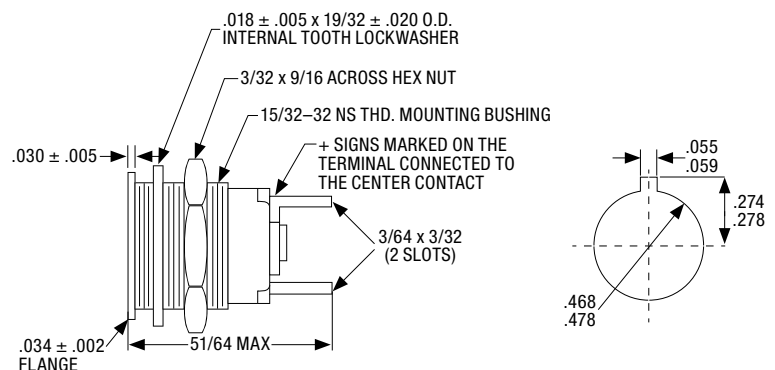
### FEATURES & BENEFITS

- EMI/RFI Shielding
- Two terminals – fully insulated
- For mounting in 15/32" clearance hole
- Meet or exceed environmental and operational requirements of MIL-L-6723 and MIL-L-3661C
- Anti-rotation (locked) construction: provides for secure locking of the socket terminal assembly in the mounting bushing and of the center terminal to the insulating disc. The notched mounting bushing receives the matched insulating disc to prevent the rotation of the mounting bushing.

### APPLICATION

- Aircraft avionics
- Ground vehicles
- Naval control rooms
- Radar and sonar systems
- Missile systems
- Satellite communication systems
- Electronic warfare systems
- Command and control centers
- UAVs
- Communication equipment

### DIMENSIONS inches [mm]

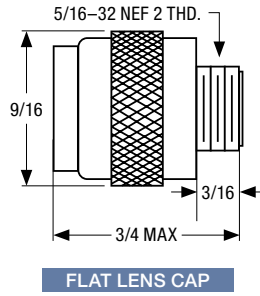


MAX PANEL THICKNESS 3/16"





RECOMMENDED PANEL CUTOUT

*Base, bulb, and cap are required for a complete indicator assembly and need to be purchased separately.*

ORDERING INFORMATION



FLAT LENS CAP  
Non-Diffused – RFI/EMI Shielding

	Type Designation	Part Number	Lens Cap Color
	LC25RN2	<a href="#">239-0331-500</a>	● Red
	LC25GN2	<a href="#">239-0332-500</a>	● Green
	LC25YN2	<a href="#">239-0333-500</a>	● Yellow
	LC25CN2	<a href="#">239-0337-500</a>	○ Clear

Translucent – RFI/EMI Shielding

	Type Designation	Part Number	Lens Cap Color
	LC25GT2	<a href="#">239-0372-500</a>	● Green
	LC25BT2	<a href="#">239-0374-500</a>	● Blue



Dialight reserves the right to make changes at any time in order to supply the best product possible. The most current version of this document will always be available at: [www.dialightsignalsandcomponents.com](http://www.dialightsignalsandcomponents.com)

**Warranty Statement:** Except for the warranty expressly provided for at: [www.dialight.com/resources/warranties/](http://www.dialight.com/resources/warranties/), Dialight disclaims any and all other warranties, express or implied, including, without limitation, any warranties of merchantability, fitness for a particular purpose, title, and noninfringement.



## 367 SERIES Indicator Base

### MECHANICAL / SPECIFICATIONS

BASE PART NUMBER:  
[367-8430-09-503](#)

MOUNTING:  
15/32" clearance hole (.468")

MOUNTING ORIENTATION: Front

BULB BASE SIZE:  
T-1 3/4 Midget Flange

TERMINATION:  
Brass solder terminals, hot tinned  
with elongated slots

HOUSING FINISH:  
Aluminum housing, black anodized finish

HARDWARE:  
Internal-tooth lock washer and mounting nut:  
Steel, cadmium plated with yellow iridescent  
chromate finish

VOLTAGE / RESISTOR:  
Bulb Dependent

LENS CAP OPTIONS:  
Stovepipe  
Convex (with mechanical dimming options)

MILITARY COMPLIANT: Yes  
MILITARY CROSS #: LH89/1

CERTIFICATIONS & RATINGS  
RoHS Compliant w/6C exemption

*Base, bulb, and cap are required for  
a complete indicator assembly and  
need to be purchased separately.*

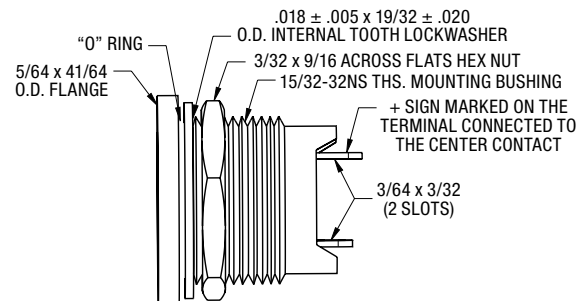
### FEATURES & BENEFITS

- Two terminals - fully insulated
- For mounting in 15/32" clearance hole
- Conforms to MIL-L-3661C
- Anti-rotation (locked) construction: provides for secure locking of the socket terminal assembly in the mounting bushing and of the center terminal to the insulating disc. The notched mounting bushing receives the matched insulating disc to prevent the rotation of the mounting bushing.
- Watertight lenses with mechanical dimming options available:
  - 160 series- complete blackout
  - 161 series- partial blackout

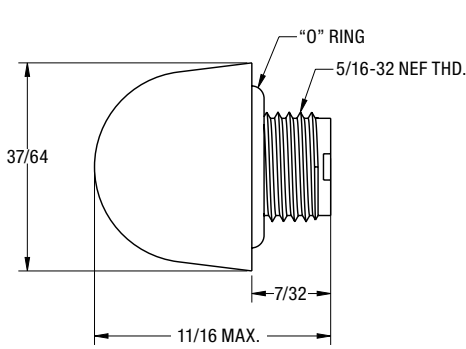
### APPLICATION

- Communication devices
- Navigation equipment
- Field medical equipment
- Tactical equipment
- Remote sensing devices
- UUV's, UAV's
- and many more...

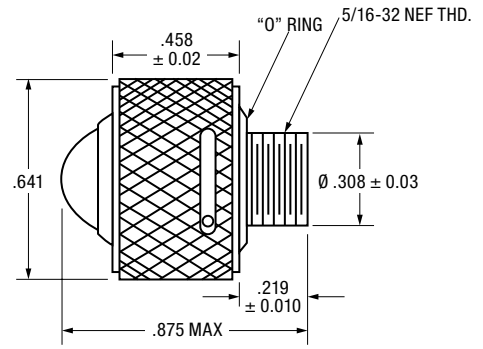
### DIMENSIONS inches [mm]



DIMENSIONS inches [mm]



STOVEPIPE LENS CAP



CONVEX LENS CAP

ORDERING INFORMATION

STOVEPIPE LENS CAP  
Non-Diffused

	Type Designation	Part Number	Lens Cap Color
	LC35RN2	<a href="#">128-0931-003</a>	● Red
	LC35GN2	<a href="#">128-0932-003</a>	● Green
	LC35YN2	<a href="#">128-0933-003</a>	● Yellow
	LC35BN2	<a href="#">128-0934-003</a>	● Blue
	LC35CN2	<a href="#">128-0937-003</a>	○ Clear
	LC35RT2	<a href="#">128-0971-003</a>	● Red
	LC35GT2	<a href="#">128-0972-003</a>	● Green
	LC35YT2	<a href="#">128-0973-003</a>	● Yellow
	LC35BT2	<a href="#">128-0974-003</a>	● Blue
	LC35WT2	<a href="#">128-0975-003</a>	○ White

CONVEX LENS CAP  
Translucent Mechanical Dimming Full Black Out

	Type Designation	Part Number	Lens Cap Color
	LC36RD2	<a href="#">160-0111-203</a>	● Red
	LC36GD2	<a href="#">160-0112-203</a>	● Green

Translucent Mechanical Dimming Partial Black Out

	LC37RD2	<a href="#">161-0111-203</a>	● Red
	LC37GD2	<a href="#">161-0112-203</a>	● Green
	LC37BD2	<a href="#">161-0114-203</a>	● Blue
	LC37CD2	<a href="#">161-0117-203</a>	○ Clear



Dialight reserves the right to make changes at any time in order to supply the best product possible. The most current version of this document will always be available at: [www.dialightsignalsandcomponents.com](http://www.dialightsignalsandcomponents.com)

Warranty Statement: Except for the warranty expressly provided for at: [www.dialight.com/resources/warranties/](http://www.dialight.com/resources/warranties/), Dialight disclaims any and all other warranties, express or implied, including, without limitation, any warranties of merchantability, fitness for a particular purpose, title, and noninfringement.



## 373 SERIES Indicator Base

### MECHANICAL / SPECIFICATIONS

BASE PART NUMBER:

[373-0410-01-203](#)

MOUNTING HOLE SIZE:

11/16" clearance hole (.688")

MOUNTING ORIENTATION:

Rear

BULB BASE SIZE:

T-3 1/4 Miniature Bayonet

TERMINATION:

Brass solder terminals, hot tinned with elongated slots

HOUSING FINISH:

Brass housing, black nickel finish

HARDWARE:

Mounting nut: Brass, white nickel finish  
Internal-tooth lockwasher: phosphor bronze, white nickel finish

VOLTAGE / RESISTOR: Bulb Dependent

LENS CAP OPTIONS:

Convex with mechanical dimming options available  
Non-Diffused, Translucent, Diffused

MILITARY COMPLIANT: Yes

MILITARY CROSS #: LH76/3

### CERTIFICATIONS & RATINGS

Watertight

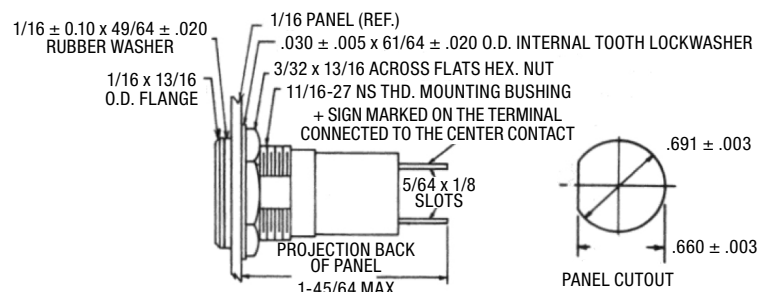
### FEATURES & BENEFITS

- For mounting in 11/16" clearance hole
- Meets MIL-L-3661C requirements
- Watertight screw-in lens cap
- Mechanical dimming lenses which provide adjustable intensity of light emission. Two options available:
  - Full Blackout (203 models)
  - Semi Blackout (204 models)

### APPLICATION

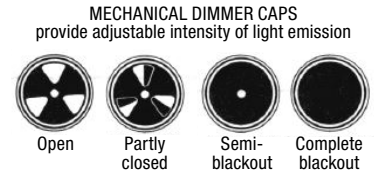
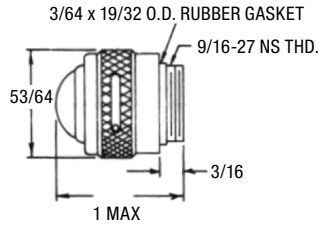
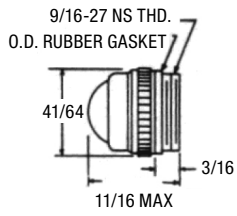
- Ground vehicles
- Power distribution centers
- Command and control centers
- Aircraft cockpits
- Naval vessels
- Underwater vehicles
- Surveillance systems
- Aircraft carrier decks
- Search and rescue equipment
- Surveillance drones
- UAV's
- and many more....

### DIMENSIONS inches [mm]



*Base, bulb, and cap are required for a complete indicator assembly and need to be purchased separately.*

ORDERING INFORMATION



CONVEX LENS CAP  
Non-Diffused

	Type Designation	Part Number	Lens Cap Color
	LC14RN3	<a href="#">081-0131-203</a>	● Red
	LC14GN3	<a href="#">081-0132-203</a>	● Green
	LC14YN3	<a href="#">081-0133-203</a>	● Yellow
	LC14BN3	<a href="#">081-0134-203</a>	● Blue
	LC14WT3	<a href="#">081-0135-203</a>	○ White
	LC14CN3	<a href="#">081-0137-203</a>	○ Clear

Complete Blackout

	LC17RN3	<a href="#">203-0131-203</a>	● Red
	LC17GN3	<a href="#">203-0132-203</a>	● Green
	LC17YN3	<a href="#">203-0133-203</a>	● Yellow
	LC17CN3	<a href="#">203-0137-203</a>	○ Clear

CONVEX LENS CAP  
Translucent

	Type Designation	Part Number	Lens Cap Color
	LC14RD3	<a href="#">081-0111-203</a>	● Red
	LC14GD3	<a href="#">081-0112-203</a>	● Green
	LC14YD3	<a href="#">081-0113-203</a>	● Yellow
	LC14BD3	<a href="#">081-0114-203</a>	● Blue
	LC14CD3	<a href="#">081-0117-203</a>	○ Clear

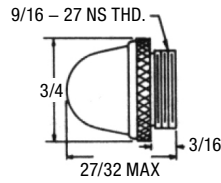
Translucent, Mechanical Dimming Full Blackout

	LC17RD3	<a href="#">203-0111-203</a>	● Red
	LC17YD3	<a href="#">203-0113-203</a>	● Yellow
	LC17CD3	<a href="#">203-0117-203</a>	○ Clear

Translucent, Mechanical Dimming Feature Semi-Blackout

	LC18RD3	<a href="#">204-0111-203</a>	● Red
	LC18GD3	<a href="#">204-0112-203</a>	● Green
	LC18YD3	<a href="#">204-0113-203</a>	● Yellow
	LC18BD3	<a href="#">204-0114-203</a>	● Blue

ORDERING INFORMATION



CONVEX LENS CAP  
Non-Diffused

	Type Designation	Part Number	Lens Cap Color
	LC15GN3	<a href="#">026-1132-203</a>	● Green
	LC15WT3	<a href="#">026-1135-203</a>	○ White
	LC15CN3	<a href="#">026-1137-203</a>	○ Clear

CONVEX LENS CAP  
Translucent

	Type Designation	Part Number	Lens Cap Color
	LC15RD3	<a href="#">026-1111-203</a>	● Red
	LC15GD3	<a href="#">026-1112-203</a>	● Green
	LC15YD3	<a href="#">026-1113-203</a>	● Yellow



Dialight reserves the right to make changes at any time in order to supply the best product possible. The most current version of this document will always be available at: [www.dialightsignalsandcomponents.com](http://www.dialightsignalsandcomponents.com)

Warranty Statement: Except for the warranty expressly provided for at: [www.dialight.com/resources/warranties/](http://www.dialight.com/resources/warranties/), Dialight disclaims any and all other warranties, express or implied, including, without limitation, any warranties of merchantability, fitness for a particular purpose, title, and noninfringement.



## 377 SERIES Indicator Base

### MECHANICAL / SPECIFICATIONS

BASE PART NUMBER:  
[377-0410-11-203](#)

MOUNTING HOLE SIZE:  
11/16" clearance hole (.688")

MOUNTING ORIENTATION: Rear

BULB BASE SIZE:  
T-3 1/4 Miniature Bayonet

TERMINATION:  
Brass solder terminals, hot tinned  
with elongated slots

HOUSING FINISH:  
Brass housing, black nickel finish

HARDWARE:  
Mounting nut: Brass, white nickel finish  
Internal-tooth lockwasher: phosphor bronze,  
white nickel finish

VOLTAGE / RESISTOR: Bulb Dependent

LENS CAP OPTIONS:  
Stovepipe  
Non-Diffused, Translucent, Diffused  
Available with internal fluting

MILITARY COMPLIANT: Yes  
MILITARY CROSS #: LH77/3

CERTIFICATIONS & RATINGS  
Watertight

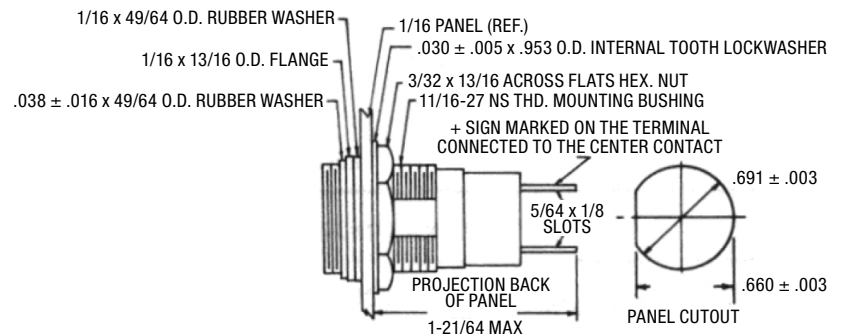
### FEATURES & BENEFITS

- For mounting in 11/16" clearance hole
- Meets MIL-L-3661C requirements
- Watertight screw-on lens cap

### APPLICATION

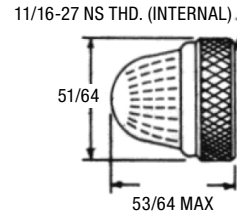
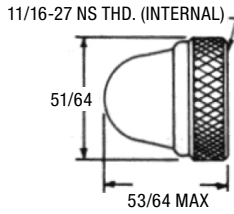
- Ground vehicles
- Power distribution centers
- Command and control centers
- Aircraft cockpits
- Naval vessels
- Underwater vehicles
- Surveillance systems
- Aircraft carrier decks
- Search and rescue equipment
- Surveillance drones
- UAV's
- and many more....

### DIMENSIONS inches [mm]




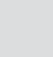


*Base, bulb, and cap are required for a complete indicator assembly and need to be purchased separately.*





ORDERING INFORMATION



STOVEPIPE LENS CAP  
Diffused

	Type Designation	Part Number	Lens Cap Color
	LC19RD3	<a href="#">169-1111-203</a>	● Red
	LC19YD3	<a href="#">169-1113-203</a>	● Yellow
	LC19BD3	<a href="#">169-1114-203</a>	● Blue
	LC19CD3	<a href="#">169-1117-203</a>	○ Clear

STOVEPIPE LENS CAP  
Non-Diffused With Internal Fluting

	Type Designation	Part Number	Lens Cap Color
	LC20RN3	<a href="#">169-1191-203</a>	● Red
	LC20GN3	<a href="#">169-1192-203</a>	● Green
	LC20YN3	<a href="#">169-1193-203</a>	● Yellow
	LC20WT3	<a href="#">169-1195-203</a>	○ White

Non-Diffused

	LC19RN3	<a href="#">169-1131-203</a>	● Red
	LC19GN3	<a href="#">169-1132-203</a>	● Green
	LC19YN3	<a href="#">169-1133-203</a>	● Yellow
	LC19CN3	<a href="#">169-1137-203</a>	○ Clear



## 378 SERIES Indicator Base

### MECHANICAL / SPECIFICATIONS

PART NUMBERS:  
[378-3402-01-203](#)

MOUNTING HOLE SIZE:  
1" clearance hole

MOUNTING ORIENTATION: Front

BULB BASE SIZE:  
S6 double contact bayonet base

TERMINATION:  
Brass solder terminals, hot tinned

HOUSING FINISH:  
Brass housing, black nickel finish

HARDWARE:  
Mounting nut: Brass, white nickel finish

INTERNAL-TOOTH LOCKWASHER:  
Phosphor bronze, white nickel finish

VOLTAGE:  
24v-250v, bulb dependent

LENS CAP OPTIONS:  
Convex or Torpedo Lens, Translucent or Diffused

MILITARY COMPLIANT: Yes

MILITARY CROSS #: LH79/1

### CERTIFICATIONS & RATINGS

Watertight

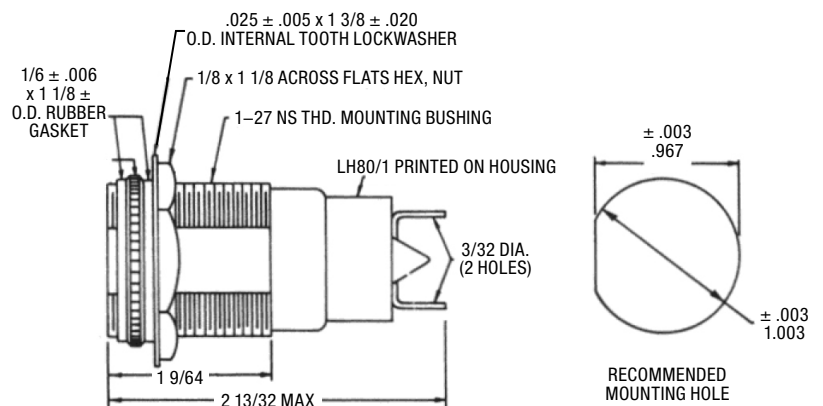
### FEATURES & BENEFITS

- For mounting in 1" clearance hole
- Meets MIL-L-3661C requirements
- Watertight screw-on lens cap

### APPLICATION

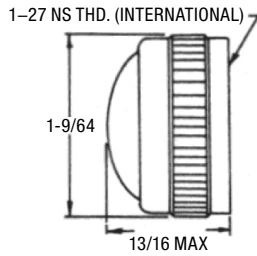
- Ground vehicles
- Power distribution centers
- Command and control centers
- Aircraft cockpits
- Naval vessels
- Underwater vehicles
- Surveillance systems
- Aircraft carrier decks
- Search and rescue equipment
- Surveillance drones
- UAV's
- and many more....

### DIMENSIONS inches [mm]

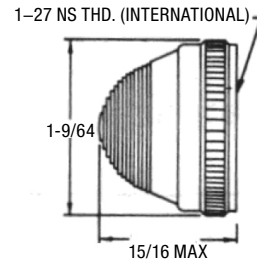


*Base, bulb, and cap are required for a complete indicator assembly and need to be purchased separately.*

ORDERING INFORMATION



CONVEX LENS CAP



TORPEDO LENS CAP

CONVEX LENS CAP

	Type Designation	Part Number	Color
	LC21RN3	<a href="#">051-0131-203</a>	● Red
	LC21GN3	<a href="#">051-0132-203</a>	● Green
	LC21YN3	<a href="#">051-0133-203</a>	● Yellow
	LC21BN3	<a href="#">051-0134-203</a>	● Blue
	LC21WT3	<a href="#">051-0135-203</a>	○ White
	LC21CN3	<a href="#">051-0137-203</a>	○ Clear
	LC21RD3	<a href="#">051-0111-203</a>	● Red
	LC21GD3	<a href="#">051-0112-203</a>	● Green
	LC21YD3	<a href="#">051-0113-203</a>	● Yellow
	LC21BD3	<a href="#">051-0114-203</a>	● Blue
	LC21CD3	<a href="#">051-0117-203</a>	○ Clear

TORPEDO LENS CAP

	Type Designation	Part Number	Color
	LC22RD3	<a href="#">080-0511-203</a>	● Red
	LC22GD3	<a href="#">080-0512-203</a>	● Green
	LC22BD3	<a href="#">080-0514-203</a>	● Blue



Dialight reserves the right to make changes at any time in order to supply the best product possible. The most current version of this document will always be available at: [www.dialightsignalsandcomponents.com](http://www.dialightsignalsandcomponents.com)

Warranty Statement: Except for the warranty expressly provided for at: [www.dialight.com/resources/warranties/](http://www.dialight.com/resources/warranties/), Dialight disclaims any and all other warranties, express or implied, including, without limitation, any warranties of merchantability, fitness for a particular purpose, title, and noninfringement.



## 081 SERIES Jewel Lens Cap

### MECHANICAL / SPECIFICATIONS

LENS MOUNTING TORQUE:  
3 in/lbs

LENS THREAD:  
9/16 - 27NS

LENS MATERIAL:  
Polycarbonate

HOUSING MOUNTING HOLE SIZE:  
0.5875" (17.46 mm)

HOUSING MOUNTING TORQUE:  
20 in/lbs

ELECTRICAL CONNECTION:  
Solder Terminals, Screw Terminals

TERMINALS:  
Nickel—Tin Plated

LOCK WASHER:  
Steel—Zinc Plated

NUT:  
Brass—Nickel Plated

### FEATURES & BENEFITS

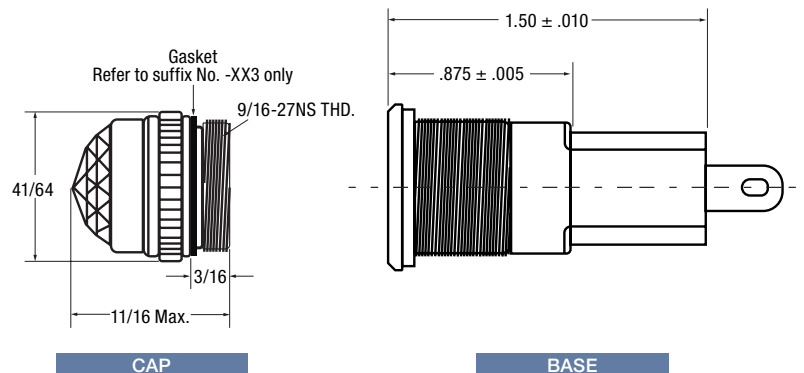
- Retro aesthetic/old school Aesthetic
- Customization
- Watertight versions available
- Variety of bulb types
- White nickel or polished chrome plating options

### APPLICATION

Dialight's 081 Series Jewel Lens Cap is designed to give all your applications a nice clean retro look. These lenses are designed for a variety of applications such as:

- Musical equipment
- Amplifiers
- Instrumentation
- Main and remote power indication

### DIMENSIONS inches [mm]



ORDERING INFORMATION

JEWEL LENS CAP

Part Number	Watertight P/N	Color	Plating
<a href="#">081-0431-100</a>		● Red	White Nickel
<a href="#">081-0432-100</a>		● Green	White Nickel
<a href="#">081-0433-100</a>		● Yellow	White Nickel
081-0433-300	081-0433-303	● Yellow	Polished Chrome
081-0434-100		● Blue	White Nickel
	081-0435-303	○ White	Polished Chrome
081-0437-100		○ Clear	White Nickel
	081-0437-303	○ Clear	Polished Chrome

HOUSING/BASE OPTIONS

Part Number	Termination	Bulb Type	Bulb Size
<a href="#">095-0410-09-301</a>	Solder Terminals	Incandescent/LED	T-3 1/4
081-1408-01-343	Solder Terminals	Neon	
081-1308-01-343	Screw Terminals		



Dialight reserves the right to make changes at any time in order to supply the best product possible. The most current version of this document will always be available at: [www.dialightsignalsandcomponents.com](http://www.dialightsignalsandcomponents.com)

Warranty Statement: Except for the warranty expressly provided for at: [www.dialight.com/resources/warranties/](http://www.dialight.com/resources/warranties/), Dialight disclaims any and all other warranties, express or implied, including, without limitation, any warranties of merchantability, fitness for a particular purpose, title, and noninfringement.



## 585 SERIES Cluster Based LED T3 1/4 Miniature Bayonet (BA9s)

### MECHANICAL / SPECIFICATIONS

BASE:

T3 1/4 Miniature Bayonet (BA9s)

VOLTAGE OPTIONS:

6, 14 and 28 V DC; 120 V AC

OPERATING TEMPERATURE:

-30°C to +85°C (-22°F to +185°F)

STORAGE TEMPERATURE:

-40°C to +100°C (-40°F to +212°F)

### CERTIFICATIONS & RATINGS

RoHS compliant

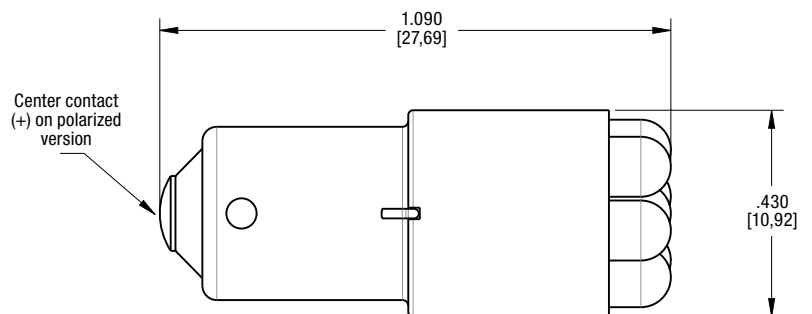
### FEATURES & BENEFITS

- Longer life
- Energy savings - 90% less power required
- High reliability - vibration and shock resistant
- Mount directly into industry standard socket
- Super bright LED cluster design
- Polarized and non-polarized
- No heat generated

### APPLICATION

- Control panels
- Instrumentation
- Warning lights
- Communication equipment
- Portable equipment
- ...And many more!

### DIMENSIONS inches [mm]



Measurements are typical

ORDERING INFORMATION

POLARIZED LED BULBS

Dialight P/N	Color	Peak Wavelength (nm)	Voltage (V DC)	Forward Current Typ. (mA)	Intensity Typ. (mcd)
<a href="#">585-5211F</a>	● Red	660	6	60	480
<a href="#">585-5311F</a>	● Green	565	6	60	420
<a href="#">585-5511F</a>	● Yellow	592	6	90	1800
<a href="#">585-5213F</a>	● Red	660	14	40	480
<a href="#">585-5313F</a>	● Green	565	14	40	420
<a href="#">585-5513F</a>	● Yellow	592	14	60	1800
<a href="#">585-5215F</a>	● Red	660	28	20	560
<a href="#">585-5315F</a>	● Green	565	28	20	490
<a href="#">585-5515F</a>	● Yellow	592	28	30	2100

NON-POLARIZED LED BULBS

<a href="#">585-5223F</a>	● Red	660	14	40	480
<a href="#">585-5323F</a>	● Green	565			420
<a href="#">585-5523F</a>	● Yellow	592		60	1800
<a href="#">585-5225F</a>	● Red	660	28	20	560
<a href="#">585-5325F</a>	● Green	565			490
<a href="#">585-5525F</a>	● Yellow	592		30	2100
<a href="#">585-5256F</a>	● Red	660	120 V AC	9	252
<a href="#">585-5356F</a>	● Green	565			220
<a href="#">585-5556F</a>	● Yellow	585			945



Dialight reserves the right to make changes at any time in order to supply the best product possible. The most current version of this document will always be available at: [www.dialightsignalsandcomponents.com](http://www.dialightsignalsandcomponents.com)

Warranty Statement: Except for the warranty expressly provided for at: [www.dialight.com/resources/warranties/](http://www.dialight.com/resources/warranties/), Dialight disclaims any and all other warranties, express or implied, including, without limitation, any warranties of merchantability, fitness for a particular purpose, title, and noninfringement.



## 585 SERIES Multi-Chip Based LED T1 3/4 Midget Flange

### MECHANICAL / SPECIFICATIONS

BASE:

T1 3/4 Midget Flange

VOLTAGE OPTIONS:

6,14, and 28 V DC

OPERATING TEMPERATURE:

-20°C to +60°C (-4°F to +140°F)

STORAGE TEMPERATURE:

-30°C to +100°C (-22°F to +212°F)

### CERTIFICATIONS & RATINGS

RoHS compliant

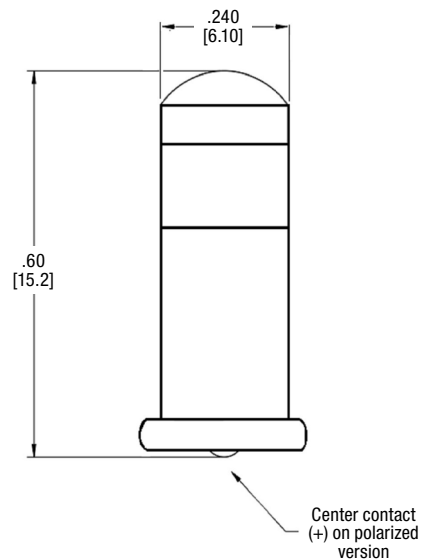
### FEATURES & BENEFITS

- Longer life
- Energy savings - 90% less power required
- Mounts directly into industry standard socket
- Polarized and non-polarized

### APPLICATION

- Control panels
- Instrumentation
- Warning lights
- Communication equipment
- Portable equipment
- ...And many more!

### DIMENSIONS inches [mm]



Measurements are typical

ORDERING INFORMATION

POLARIZED LED BULBS

Dialight P/N	Color	Peak Wavelength (nm)	Voltage (V DC)	Current Typ. (mA)	Intensity Typ. (mcd)
<a href="#">585-1111F</a>	● Red	630	6	44	37
<a href="#">585-1211F</a>	● Red	660		39	90
<a href="#">585-1311F</a>	● Green	565		35	57
<a href="#">585-1411F</a>	● Yellow	585		44	49
<a href="#">585-1113F</a>	● Red	630	14	30	38
<a href="#">585-1213F</a>	● Red	660		30	60
<a href="#">585-1313F</a>	● Green	565		28	70
<a href="#">585-1413F</a>	● Yellow	585		30	23
<a href="#">585-1115F</a>	● Red	630	28	13	38
<a href="#">585-1215F</a>	● Red	660		16	73
<a href="#">585-1315F</a>	● Green	565		11	51
<a href="#">585-1415F</a>	● Yellow	585		12	44

NON-POLARIZED LED BULBS

<a href="#">585-1221F</a>	● Red	660	6	75	50
<a href="#">585-1321F</a>	● Green	565		67	56
<a href="#">585-1421F</a>	● Yellow	585		73	18
<a href="#">585-1123F</a>	● Red	630	14	25	31
<a href="#">585-1223F</a>	● Red	660		26	52
<a href="#">585-1323F</a>	● Green	565		23	58
<a href="#">585-1423F</a>	● Yellow	585		24	18
<a href="#">585-1125F</a>	● Red	630	28	14	35
<a href="#">585-1225F</a>	● Red	660		14	56
<a href="#">585-1325F</a>	● Green	565		13	65
<a href="#">585-1425F</a>	● Yellow	585		13	20



Dialight reserves the right to make changes at any time in order to supply the best product possible. The most current version of this document will always be available at: [www.dialightsignalsandcomponents.com](http://www.dialightsignalsandcomponents.com)

Warranty Statement: Except for the warranty expressly provided for at: [www.dialight.com/resources/warranties/](http://www.dialight.com/resources/warranties/), Dialight disclaims any and all other warranties, express or implied, including, without limitation, any warranties of merchantability, fitness for a particular purpose, title, and noninfringement.



586 SERIES

**Daylight Viewable  
Cluster Based LED**

T3 1/4 Miniature Bayonet (BA9s)

MECHANICAL / SPECIFICATIONS

BASE:

T3 1/4 Miniature Bayonet (BA9s)

VOLTAGE OPTIONS:

6,14, and 28 V DC; 120 V AC

OPERATING TEMPERATURE:

-30C to +85°C (-22°F to +185°F)

STORAGE TEMPERATURE:

-40°C to +100°C (-40F to +212°F)

CERTIFICATIONS & RATINGS

RoHS compliant

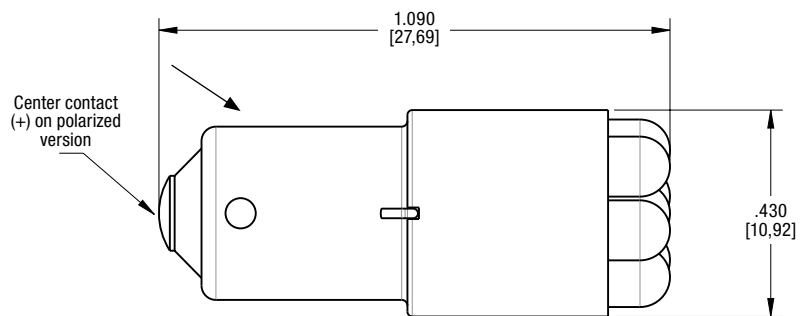
FEATURES & BENEFITS

- Longer life
- Energy savings - 90% less power required
- High reliability - vibration and shock resistant
- Mounts directly into industry standard sockets
- Polarized and non-polarized
- Super bright LED cluster design

APPLICATION

- Control panels
- Instrumentation
- Warning lights
- Communication equipment
- Portable equipment
- ...And many more!

DIMENSIONS inches [mm]



Measurements are typical

ORDERING INFORMATION

POLARIZED LED BULBS

Dialight P/N	Color	Peak Wavelength (nm)	Voltage (V DC)	Forward Current Typ. (mA)	Intensity Typ. (mcd)
<a href="#">586-6401-101F</a>	Red	630	6	100	1000
<a href="#">586-6402-101F</a>	Green	525		90	3800
<a href="#">586-6403-101F</a>	Yellow	592		100	2000
<a href="#">586-6405-101F</a>	Blue	470		90	850
<a href="#">586-6406-101F</a>	White	*			4800
<a href="#">586-6401-103F</a>	Red	630	14	50	1000
<a href="#">586-6402-103F</a>	Green	525		40	3100
<a href="#">586-6403-103F</a>	Yellow	592		50	2000
<a href="#">586-6405-103F</a>	Blue	470		40	685
<a href="#">586-6406-103F</a>	White	*			4800
<a href="#">586-6401-105F</a>	Red	630	28	17	1000
<a href="#">586-6402-105F</a>	Green	525		18	3600
<a href="#">586-6403-105F</a>	Yellow	592		17	2000
<a href="#">586-6405-105F</a>	Blue	470		13	780
<a href="#">586-6406-105F</a>	White	*			4200

NON-POLARIZED LED BULBS

<a href="#">586-6401-201F</a>	Red	630	6	100	1000
<a href="#">586-6402-201F</a>	Green	525		70	3400
<a href="#">586-6403-201F</a>	Yellow	592		100	2000
<a href="#">586-6405-201F</a>	Blue	470		70	685
<a href="#">586-6406-201F</a>	White	*			4000
<a href="#">586-6401-203F</a>	Red	630	14	50	1000
<a href="#">586-6402-203F</a>	Green	525		40	3400
<a href="#">586-6403-203F</a>	Yellow	592		50	2000
<a href="#">586-6405-203F</a>	Blue	470		40	685
<a href="#">586-6406-203F</a>	White	*			4000
<a href="#">586-6401-205F</a>	Red	630	28	18	1000
<a href="#">586-6402-205F</a>	Green	525		11	3400
<a href="#">586-6403-205F</a>	Yellow	592		18	2000
<a href="#">586-6405-205F</a>	Blue	470		11	685
<a href="#">586-6406-205F</a>	White	*			4000
<a href="#">586-6401-206F</a>	Red	630	120 V AC	9	500
<a href="#">586-6402-206F</a>	Green	526			2400
<a href="#">586-6403-206F</a>	Yellow	592			1000
<a href="#">586-6405-206F</a>	Blue	472			565
<a href="#">586-6406-206F</a>	White	*			3000

\*Color coordinates: x=0.330, y=0.365



Dialight reserves the right to make changes at any time in order to supply the best product possible. The most current version of this document will always be available at: [www.dialightsignalsandcomponents.com](http://www.dialightsignalsandcomponents.com)

Warranty Statement: Except for the warranty expressly provided for at: [www.dialight.com/resources/warranties/](http://www.dialight.com/resources/warranties/), Dialight disclaims any and all other warranties, express or implied, including, without limitation, any warranties of merchantability, fitness for a particular purpose, title, and noninfringement.



586 SERIES

**Multi-Chip Based LED**

T3 1/4 Miniature Bayonet (BA9s)

MECHANICAL / SPECIFICATIONS

BASE:

T3 1/4 Miniature Bayonet (BA9s)

VOLTAGE OPTIONS:

6,14, and 28 V DC, 6-36 V DC

OPERATING TEMPERATURE:

-30°C to +85°C (-22°F to +185°F)

STORAGE TEMPERATURE:

-40°C to +100°C (-40F to +212°F)

CERTIFICATIONS & RATINGS

RoHS compliant

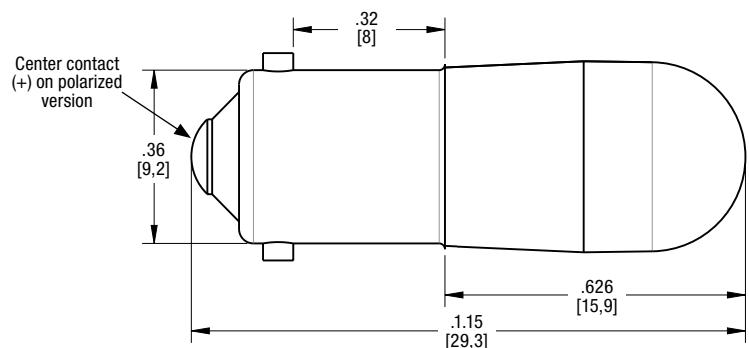
FEATURES & BENEFITS

- Longer life
- Energy savings - 90% less power required
- High reliability - vibration and shock resistant
- Mounts directly into industry standard socket
- True non-polarized configurations available
- No heat generated
- Super bright single chip design

APPLICATION

- Control panels
- Instrumentation
- Warning lights
- Communication equipment
- Portable equipment
- ...And many more!

DIMENSIONS inches [mm]



Measurements are typical

ORDERING INFORMATION

POLARIZED LED BULBS

Dialight P/N	Color	Peak Wavelength (nm)	Voltage (V DC)	Current Typ. (mA)	Intensity Typ. (mcd)
<a href="#">586-2401-101F</a>	Red	630	6	15	1050
<a href="#">586-2402-101F</a>	Green	525			1650
<a href="#">586-2403-101F</a>	Yellow	592			1275
<a href="#">586-2405-101F</a>	Blue	470			487
<a href="#">586-2406-101F</a>	White	*			825
<a href="#">586-2401-103F</a>	Red	630	14		1050
<a href="#">586-2402-103F</a>	Green	525			1650
<a href="#">586-2403-103F</a>	Yellow	592			1275
<a href="#">586-2405-103F</a>	Blue	470			487
<a href="#">586-2406-103F</a>	White	*			825
<a href="#">586-2401-105F</a>	Red	630	28		1050
<a href="#">586-2402-105F</a>	Green	525			1650
<a href="#">586-2403-105F</a>	Yellow	592			1275
<a href="#">586-2405-105F</a>	Blue	470			487
<a href="#">586-2406-105F</a>	White	*			825

NON-POLARIZED LED BULBS

<a href="#">586-2401-201F</a>	Red	630	6	15	1050
<a href="#">586-2402-201F</a>	Green	525			2720
<a href="#">586-2403-201F</a>	Yellow	592			1275
<a href="#">586-2405-201F</a>	Blue	470			487
<a href="#">586-2406-201F</a>	White	*			825
<a href="#">586-2401-203F</a>	Red	630	14		1050
<a href="#">586-2402-203F</a>	Green	525			2720
<a href="#">586-2403-203F</a>	Yellow	592			1275
<a href="#">586-2405-203F</a>	Blue	470			487
<a href="#">586-2406-203F</a>	White	*			825
<a href="#">586-2401-205F</a>	Red	630	28		525
<a href="#">586-2402-205F</a>	Green	525			2720
<a href="#">586-2403-205F</a>	Yellow	592			637
<a href="#">586-2405-205F</a>	Blue	470			243
<a href="#">586-2406-205F</a>	White	*			412
<a href="#">586-2401-220F</a>	Red	630	6-36	10	1000
<a href="#">586-2402-220F</a>	Green	525			2720
<a href="#">586-2403-220F</a>	Yellow	592			550
<a href="#">586-2405-220F</a>	Blue	470			200
<a href="#">586-2406-220F</a>	White	*			650

\*Color coordinates: x=0.330, y=0.365



Dialight reserves the right to make changes at any time in order to supply the best product possible. The most current version of this document will always be available at: [www.dialightsignalsandcomponents.com](http://www.dialightsignalsandcomponents.com)

Warranty Statement: Except for the warranty expressly provided for at: [www.dialight.com/resources/warranties/](http://www.dialight.com/resources/warranties/), Dialight disclaims any and all other warranties, express or implied, including, without limitation, any warranties of merchantability, fitness for a particular purpose, title, and noninfringement.



586 SERIES

**Single Chip Based LED**

T1 3/4 Midget Flange

MECHANICAL / SPECIFICATIONS

BASE:

T1 3/4 Midget Flange

VOLTAGE OPTIONS:

6,14, and 28 V DC

OPERATING TEMPERATURE:

-40°C to +80°C (-40°F to +176°F)

STORAGE TEMPERATURE:

-40°C to +100°C (-40°F to +212°F)

CERTIFICATIONS & RATINGS

RoHS compliant

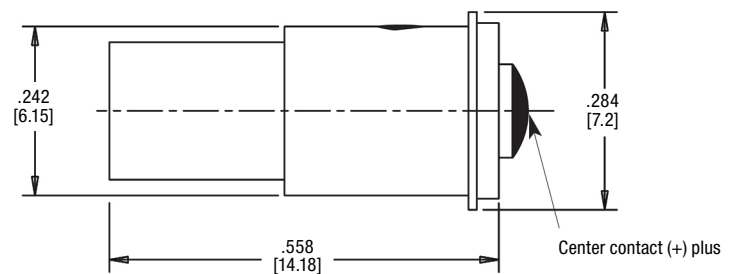
FEATURES & BENEFITS

- Longer life
- Energy savings - 90% less power required
- High reliability - vibration and shock resistant
- Mounts directly into industry standard socket
- AllnGaP and InGaN die technology
- Super bright single chip design
- No heat generated

APPLICATION

- Control panels
- Instrumentation
- Warning lights
- Communication equipment
- Portable equipment
- ...And many more!

DIMENSIONS inches [mm]



Measurements are typical

ORDERING INFORMATION

Dialight P/N	Color	Peak Wavelength (nm)	Voltage (V DC)	Current Typ. (mA)	Intensity Typ. (mcd)
<a href="#">586-1101-101F</a>	● Red	639	6	10	775
<a href="#">586-1102-101F</a>	● Green	520			600
<a href="#">586-1103-101F</a>	● Yellow	592			775
<a href="#">586-1105-101F</a>	● Blue	467			210
<a href="#">586-1106-101F</a>	○ White	*			460
<a href="#">586-1101-103F</a>	● Red	639	14		775
<a href="#">586-1102-103F</a>	● Green	520			600
<a href="#">586-1103-103F</a>	● Yellow	592			775
<a href="#">586-1105-103F</a>	● Blue	467			210
<a href="#">586-1106-103F</a>	○ White	*			460
<a href="#">586-1101-105F</a>	● Red	639	28		775
<a href="#">586-1102-105F</a>	● Green	520			600
<a href="#">586-1103-105F</a>	● Yellow	592			775
<a href="#">586-1105-105F</a>	● Blue	467			210
<a href="#">586-1106-105F</a>	○ White	*			460

\*Color coordinates: x=0.320, y=0.320



Dialight reserves the right to make changes at any time in order to supply the best product possible. The most current version of this document will always be available at: [www.dialightsignalsandcomponents.com](http://www.dialightsignalsandcomponents.com)

Warranty Statement: Except for the warranty expressly provided for at: [www.dialight.com/resources/warranties/](http://www.dialight.com/resources/warranties/), Dialight disclaims any and all other warranties, express or implied, including, without limitation, any warranties of merchantability, fitness for a particular purpose, title, and noninfringement.

**MILITARY SPECIFICATION**
**MIL-DTL-3661C Lampholders, Indicator Lights, Indicator Light Housings, Indicator Light Lenses**

Military Designation	Dialight Part Number
LC11BN2	<a href="#">178-0334-500</a>
LC11BT2	<a href="#">178-0374-500</a>
LC11GN2	<a href="#">178-0332-500</a>
LC11RN2	* <a href="#">178-0331-500</a>
LC11RT2	<a href="#">178-0371-500</a>
LC11WT2	<a href="#">178-0375-500</a>
LC11YN2	* <a href="#">178-0333-500</a>
LC11YT2	<a href="#">178-0373-500</a>
LC12BN2	<a href="#">162-0934</a>
LC12BT2	<a href="#">162-0974</a>
LC12CN2	* <a href="#">162-0937</a>
LC12GN2	<a href="#">162-0932</a>
LC12GT2	<a href="#">162-0972</a>
LC12RN2	* <a href="#">162-0931</a>
LC12RT2	<a href="#">162-0971</a>
LC12WT2	<a href="#">162-0975</a>
LC12YN2	* <a href="#">162-0933</a>
LC12YT2	<a href="#">162-0973</a>
LC13CN2	* <a href="#">137-0937</a>
LC13RN2	* <a href="#">137-0931</a>
LC13YN2	* <a href="#">137-0933</a>
LC14CN3	* <a href="#">081-0137-203</a>
LC14GN3	<a href="#">081-0132-203</a>
LC14RD3	<a href="#">081-0111-203</a>
LC14RN3	* <a href="#">081-0111-203</a>
LC14WT3	* <a href="#">081-0135-203</a>
LC14YD3	<a href="#">081-0113-203</a>
LC14YN3	* <a href="#">081-0133-203</a>
LC15CN3	* <a href="#">026-1137-203</a>
LC15GN3	<a href="#">026-1132-203</a>
LC15RD3	<a href="#">026-1111-203</a>
LC15WT3	* <a href="#">026-1135-203</a>
LC15YD3	<a href="#">026-1113-203</a>
LC16CN3	* <a href="#">026-1197-203</a>
LC16GN3	<a href="#">026-1192-203</a>
LC16RN3	* <a href="#">026-1191-203</a>
LC17CD3	<a href="#">203-0117-203</a>
LC17CN3	* <a href="#">203-0137-203</a>
LC17RD3	<a href="#">203-0111-203</a>
LC17RN3	* <a href="#">203-0131-203</a>
LC17YD3	<a href="#">203-0113-203</a>
LC17YN3	* <a href="#">203-0133-203</a>
LC18BD3	<a href="#">204-0114-203</a>
LC18RN3	* <a href="#">204-0131-203</a>
LC19CD3	<a href="#">169-1117-203</a>
LC19CN3	* <a href="#">169-1137-203</a>
LC19GD3	<a href="#">169-1112-203</a>
LC19RD3	<a href="#">169-1111-203</a>
LC19RN3	* <a href="#">169-1131-203</a>
LC19YD3	<a href="#">169-1113-203</a>
LC20GN3	<a href="#">169-1192-203</a>
LC20RN3	* <a href="#">169-1191-203</a>
LC20WT3	* <a href="#">169-1195-203</a>
LC20YN3	* <a href="#">169-1193-203</a>
LC21BD3	<a href="#">051-0114-203</a>
LC21CD3	<a href="#">051-0117-203</a>
LC21CN3	* <a href="#">051-0137-203</a>
LC21GD3	<a href="#">051-0112-203</a>
LC21RD3	<a href="#">051-0111-203</a>
LC21WT3	* <a href="#">051-0135-203</a>

Military Designation	Dialight Part Number
LC21YD3	<a href="#">051-0113-203</a>
LC22BN3	<a href="#">080-0534-203</a>
LC22GD3	<a href="#">080-0512-203</a>
LC22GN3	<a href="#">080-0532-203</a>
LC22RD3	<a href="#">080-0511-203</a>
LC22RN3	* <a href="#">080-0531-203</a>
LC22WT3	* <a href="#">080-0535-203</a>
LC22YD3	<a href="#">080-0513-203</a>
LC22YN3	* <a href="#">080-0533-203</a>
LC25BT2	<a href="#">239-0374-500</a>
LC25CN2	* <a href="#">239-0337-500</a>
LC25GN2	<a href="#">239-0332-500</a>
LC25RN2	* <a href="#">239-0331-500</a>
LC25YN2	* <a href="#">239-0333-500</a>
LC29BT2	<a href="#">162-1474</a>
LC29GN2	<a href="#">162-1432</a>
LC29GT2	<a href="#">162-1472</a>
LC29RT2	<a href="#">162-1471</a>
LC29WT2	<a href="#">162-1475</a>
LC29YN2	* <a href="#">162-1433</a>
LC29YT2	<a href="#">162-1473</a>
LC30BN3	<a href="#">250-3534-500</a>
LC30GN3	<a href="#">250-3532-500</a>
LC30RN3	<a href="#">250-3531-500</a>
LC30WT3	<a href="#">250-3535-500</a>
LC30YN3	<a href="#">250-3533-500</a>
LC32GT2	<a href="#">250-1472-500</a>
LC33CN2	* <a href="#">130-0937-003</a>
LC33RN2	* <a href="#">130-0931-003</a>
LC33WT2	* <a href="#">130-0935-003</a>
LC33YN2	* <a href="#">130-0933-003</a>
LC34CN2/DO2	* <a href="#">271-0171</a>
LC34EN2/DO2	* <a href="#">271-0111</a>
LC35RN2	<a href="#">128-0931-003</a>
LC35GN2	<a href="#">128-0932-003</a>
LC35YN2	<a href="#">128-0933-003</a>
LC35BN2	<a href="#">128-0934-003</a>
LC35CN2	<a href="#">128-0937-003</a>
LC35RT2	<a href="#">128-0971-003</a>
LC35GT2	<a href="#">128-0972-003</a>
LC35YT2	<a href="#">128-0973-003</a>
LC35BT2	<a href="#">128-0974-003</a>
LC35WT2	<a href="#">128-0975-003</a>
LC36GD2	<a href="#">160-0112-203</a>
LC36RD2	<a href="#">160-0111-203</a>
LC37BD2	<a href="#">161-0114-203</a>
LC37CD2	<a href="#">161-0117-203</a>
LC37GD2	<a href="#">161-0112-203</a>
LC37RD2	<a href="#">161-0111-203</a>
LH73/1	<a href="#">359-8430-09-502</a>
LH73/2	<a href="#">362-8430-09-702</a>
LH74/1	<a href="#">361-8836-09-552</a>
LH74/2	<a href="#">361-8864-09-522</a>
LH76/1	<a href="#">373-0408-01-273</a>
LH76/2	<a href="#">373-0463-01-223</a>
LH76/3	<a href="#">373-0410-01-203</a>
LH77/3	<a href="#">377-0410-11-203</a>
LH80/1	<a href="#">378-3402-01-203</a>
LH88/1	<a href="#">366-8836-09-553</a>
LH88/2	<a href="#">366-8864-09-523</a>

Military Designation	Dialight Part Number
LH89/1	<a href="#">367-8430-09-503</a>
LH90/1	<a href="#">370-8738-504</a>
LH90/2	<a href="#">371-8738-14-504</a>
LH90/3	<a href="#">371-8760-14-504</a>
LH92/1	<a href="#">271-8430-702</a>
LHC82/1BT2	<a href="#">252-9951-0974</a>
LHC82/1CN2	<a href="#">252-9951-0937</a>
LHC82/1GT2	<a href="#">252-9951-0972</a>
LHC82/1RT2	<a href="#">252-9951-0971</a>
LHC82/1WT2	<a href="#">252-9951-0975</a>
LHC82/1YT2	<a href="#">252-9951-0973</a>
MS18235-1BT	<a href="#">507-3909-1474-600F</a>
MS18235-2GT	<a href="#">507-3914-1472-600F</a>
MS18235-2RT	<a href="#">507-3914-1471-600F</a>
MS18235-2WT	<a href="#">507-3914-1475-600</a>
MS18235-2YT	<a href="#">507-3914-1473-600F</a>
MS18235-3BT	<a href="#">507-3918-1474-600F</a>
MS18235-3CN	<a href="#">507-3918-1437-600F</a>
MS18235-3GT	<a href="#">507-3918-1472-600</a>
MS18235-3RT	<a href="#">507-3918-1471-600F</a>
MS18235-3WT	<a href="#">507-3918-1475-600F</a>
MS18235-3YT	<a href="#">507-3918-1473-600</a>
MS18236-1CN	<a href="#">507-5338-0937-630</a>
MS18236-1RN	<a href="#">507-5338-0931-630</a>
MS18236-1WT	<a href="#">507-5338-0935-630F</a>
MS18236-1YN	<a href="#">507-5338-0933-630F</a>
MS18236-2CN	<a href="#">507-5337-0937-670</a>
MS18236-2RN	<a href="#">507-5337-0931-670</a>
MS18236-2WT	<a href="#">507-5337-0935-670F</a>
MS18237-1CN	<a href="#">507-5338-1537-630F</a>
MS18237-1RN	<a href="#">507-5338-1531-630F</a>
MS18237-1WT	<a href="#">507-5338-1535-630F</a>
MS18237-1YN	<a href="#">507-5338-1533-630</a>
MS18237-2RN	<a href="#">507-5337-1531-670F</a>
MS18237-2WT	<a href="#">507-5337-1535-670F</a>
MS18237-2YN	<a href="#">507-5337-1533-670F</a>
MS25256-2	* <a href="#">162-8430-0933-502</a>
MS25256-4	<a href="#">162-8430-0932-502</a>
MS25256-6	* <a href="#">162-8430-0931-502</a>
MS25256-10	<a href="#">162-8430-0975-502</a>
MS25256-12	<a href="#">162-8430-0934-502</a>
MS25257-2	<a href="#">137-8836-0933-552</a>
MS25257-4	<a href="#">137-8836-0931-552</a>
MS25446-3**	<a href="#">252-9951-0972</a>
MS25446-4**	<a href="#">252-9951-0971</a>
MS25446-5**	<a href="#">252-9951-0975</a>
MS25446-6**	<a href="#">252-9951-0973</a>
MS25446-7**	<a href="#">252-9951-0937</a>

\*\* See LHC82/1

**MILITARY SPECIFICATION**

**MIL-L-7806-Light, Panel Plastic Plate Lighting**

Military Designation	Dialight Part Number
MS25010A11A .....	<a href="#">*270-1930-0111-702</a>
MS25010A12A .....	<a href="#">*270-1930-0171-702</a>
MS25010A13A .....	<a href="#">*270-1930-3111-702</a>
MS25010A14A .....	CONSULT FACTORY
MS25010A16A .....	<a href="#">*270-1930-0272-702</a>
MS25010B11A .....	<a href="#">*270-1830-0111-702</a>

Military Designation	Dialight Part Number
MS25010B12A .....	<a href="#">*270-1830-0171-702</a>
MS25010B13A .....	<a href="#">*270-1830-3111-702</a>
MS25010B14A .....	CONSULT FACTORY
MS25010B15A .....	<a href="#">*270-1830-0212-702</a>
MS25010C11B .....	<a href="#">*271-8430-0111-702</a>
MS25010C12B .....	<a href="#">*271-8430-0171-702</a>

**MILITARY SPECIFICATION**

**MIL-L-7961C-Light, Indicator, Press-to-Test**

Military Designation	Dialight Part Number
MS25041-1 .....	<a href="#">*801-1030-0337-504</a>
MS25041-6 .....	<a href="#">*800-1030-0331-504</a>
MS25041-8 .....	<a href="#">*800-1030-0333-504</a>
MS25041-11 .....	<a href="#">800-1030-0334-504</a>
MS25331-1 .....	<a href="#">804-1710-0337-504</a>
MS25331-3 .....	<a href="#">804-1710-0332-504</a>

Military Designation	Dialight Part Number
MS25331-4 .....	<a href="#">804-1710-0333-504</a>
MS25331-5 .....	<a href="#">803-1710-0337-504</a>
MS25331-6 .....	<a href="#">803-1710-0331-504</a>
MS25331-7 .....	<a href="#">803-1710-0332-504</a>
MS25331-8 .....	<a href="#">803-1710-0333-504</a>

\*Can be used with Based LED Replacement Lamps



**556, 620, 621, 622, 623, 624 and 625 SERIES**

- Impact Protection rating or the Mechanical Impact Protection rating, indicates the level of protection against mechanical impacts that an electronic device or appliance can withstand. It is a standard that classifies the degree of impact resistance of the device on a scale of 0 to 10, with 0 being the least and 10 being the highest level of protection (ie. IK07 vs IK10).



WITH GASKET ONLY:

**556, 607, 609, 620, 621, 622, 623, 630, 656, 677, 678 protruding and 679 SERIES**

- Dust-tight product
- Can withstand heavy seas and powerful jets of water



WITH GASKET ONLY:

**620, 621, 622, 623, 656, 657, 658 SERIES**

- Dust-tight product
- Can withstand immersion up to 1 meter



**556, 607, 609, 620, 621, 623, 630, 656, 657, 658 677 and 679 SERIES**

- Indoor and outdoor corrosion protection to front panel
- Can withstand a 200- and 600-hour salt spray test and a 1200-hour carbon-Sulphur dioxide test without pitting, cracking, or severe corrosion.



**556, 630 and 656 SERIES**

- Stringent safety testing for end customer use
- Validates that parts follow drawing specification and verifies functionality
- Inspections at manufacturing facility to verify consistent construction process



**556 SERIES**

- Tested and certified to be incapable, under normal operating conditions, of causing ignition to a specified flammable gas-, vapor- or dust-air mixture due to arcing or thermal means.



**All LED Panel Mount Indicators, some with exemptions**

- Restricts the use of the following substances: Lead, Mercury, Cadmium, Hexavalent chromium, Polybrominated biphenyls, Polybrominated diphenyl ethers, Bis phthalate, butyl benzyl phthalate, dibutyl phthalate, and diisobutyl phthalate

## LITERATURE LIBRARY

Dialight offers a large selection of indicator solutions with varying levels of protection that are uniquely suited for operation in marine and military environments.

**Dialight**  
Signals & Components



**MARINE**  
PANEL MOUNT INDICATOR CATALOG

**Dialight**  
Signals & Components



**MIL-SPEC / MIL-COTS**  
PANEL MOUNT INDICATOR CATALOG

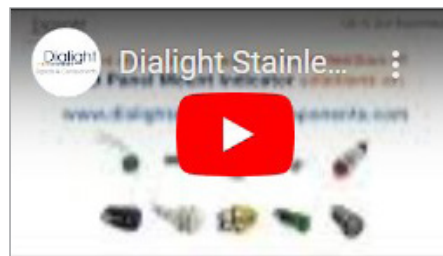
## TECHNICAL INFORMATION CENTER



Check out our YouTube channel for a wide variety of informative videos including:



Panel Mount Indicator Overview



Stainless Steel Heavy-Duty LED  
Panel Mount Indicators



657 Series Bi- and Tri-Color  
Panel Mount Indicators



559 Series Rectangular LED  
Panel Mount Indicator



658 Series 1" Watertight Bi- and Tri-Color  
Panel Mount Indicator

Be sure to **SUBSCRIBE** to stay up to date with all the latest content

# Circuit Board Indicators

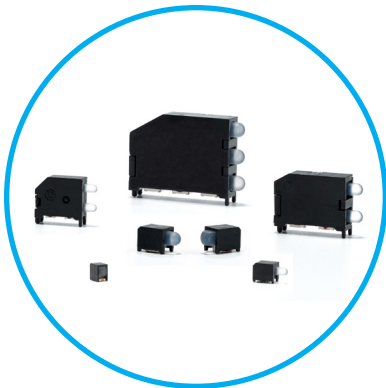


550, 551, 552, 553, 555, 561, 564, 566, 567, 568, 569, 570 AND 571 SERIES

## **CBI® Through Hole** Discrete and housed LEDs

*The widest variety of configurations including:*

- Right angle, vertical and horizontal arrays in single, bi, tri and quad blocks
- 2mm, 3mm, 4mm, 5mm and rectangular LEDs
- Perfect for direct view or backlighting applications
- Single and bi-color, diffused, water-clear, tinted, super-bright and high efficiency
- Over 2500 variations, with custom LED placement available
- All visible colors of the spectrum available (from blue to red)



591, 592, 593, 594, 595 AND 596 SERIES

## **PRISM® Surface Mount LEDs** Right Angle SMDs

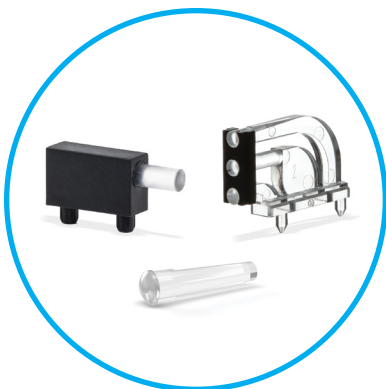
- Fully SMD process compliant part (taped and reeled / pick and place / reflow oven compatible)
- 1.6mm, 2mm and 3mm LEDs
- Can withstand higher temp RoHS solder process and eliminates need for secondary optics or separate process
- Available in standard and low current versions
- Available with square or round lens
- Packaged in single, bi- and tri-level configurations



597, 598 AND 599 SERIES

## **microLED®** Surface Mount LEDs

- Twenty plus different package sizes including: 0402, 0404, 0603, 0606, 0805, 1206, 1208, 1210, 1515, 2827, 3528, 4020, 5050, PLCC, Gullwing and 3735
- Single color, bi-color, tri-color in top, right angle, and reverse mount LED configurations
- Latest AlInGaP & InGaN technology
- Cost competitive pricing



515 SERIES

## **OPTOPIPE® Light Pipes** for use with microLED® SMDs

- Light pipes act as a conduit for directing light from LED to front panel viewing
- For PCB and panel mount press-fit mounting
- Right angle and vertical versions available in more than 400 sizes and shapes
- Provides ESD protection, operating / storage temperature -30°C to +100°C
- Allows edge lighting around components such as SFP assemblies and RJ45 jacks
- UL 94V-0 Compliant

# Panel Mount Indicators



585 AND 586

## Based LED Bulbs

- Replaces traditional miniature incandescent bulbs with rugged long-lasting and energy-efficient LEDs
- Base styles including: T 1 3/4 Midget Flange, Wedge Base and Bi-Pin, T 3 1/4 Mini-Bayonet and Mini-Screw, T2 Telephone Slide and 15mm Bayonet
- Voltages from 6, 14 and 28 VDC, 6-36 VDC multi-voltage operation and 125 VAC with non-polarized versions available
- Colors include: red, green, yellow, blue and white while our 558, 559 and some 600 series use a snap-in plastic housing



249, 507, 556, 557, 558, 559, 605, 606, 607, 608, 609, 610, 612, 620, 621, 622, 623, 624, 625, 630, 653, 654, 655, 656, 657, 658, 659, 675, 676, 677, 678, 679, 680 AND 682 SERIES

## LED Panel Mount Indicators

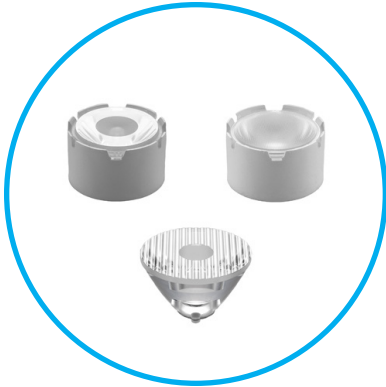
Plastic and metal housings

- Incorporating the latest LED technology in a tamper-proof metal housing enclosures
- Variety of mounting hole diameters from 0.156" (3.9mm) - 1.18" (30 mm)
- Operating voltages 2-72 VDC, 125 and 230 VAC
- Some feature a water-tight seal to NEMA 4X / IP66/67 and daylight viewability
- Available in: red, green, yellow, orange, blue, cyan and white
- 556 and 656 series are UL certified
- RoHS compliant, some with 6C exemptions
- All metal and some plastic housing use lock washer and nut for secure mounting while our 558, 559 and some 600 series use a snap-in plastic housing



## Military And Relampable Panel Mount Indicators

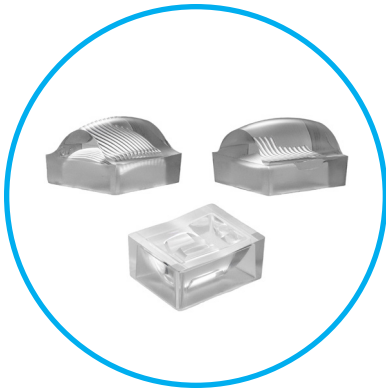
- Military - LH, LC and MS designations and QPL listed
- Incandescent or neon, designed to mount into 15/32", 11/16" and 1" clearance holes
- Feature water-tight and oil-tight, edge lighting, press-to-test, and dimmable semi or total blackout
- Consult Dialight's Military Cross Reference for specific part number
- Commercial - Incandescent or neon indicators UL recognized designed to mount into 15/32", 11/16" and 1" clearance holes
- Lenses are available in flat, dome, torpedo and faceted



OPT SERIES

## TIR Optics

- High transmissivity
- UL rated optic material
- Optic only with tape or Optic pre-installed in housing with tape for mounting



OPT SERIES

## Lens Optics

- High transmissivity
- UL rated optic material
- Lens includes locating pins for consistent alignment



OPT SERIES

## Reflective Optics

- Only 11.5mm (0.453") maximum diameter
- Ideal for tightly spaced LED arrays
- Adhesive backing for easy installation. Adhesive rated from -40°C to +120°C (-40°F to +248°F)
- Automatic alignment feature
- Spot and wide versions available
- Universal version suites Cree XPC, XPE, XPG and standard Rebel LEDs

**OE** is **O**ur **E**xpertise.  
[www.dialightsignalsandcomponents.com](http://www.dialightsignalsandcomponents.com)