

Multi Control Devices **Switch Type**

4-direction Type with Center-push Function (Surface Mount)

**SKRH Series**

Body thickness of 1.85mm with a long-life rating of 1 million cycles.



- Directional resolution: 4-direction
- Ratings (max.)/(min.) (Resistive load): 50mA 12V DC/10μA 1V DC
- Operating temperature range: -40°C to +85°C

Applications: Game: Home handheld consoles, Virtual/augmented reality

■ Product List

Products No.	Operating force		Travel		Operating life (5mA 5V DC) (cycles)	Initial contact resistance	Stem color	Guide bosses	Dimensions (W×D×H) (mm)	Automotive	Drawing No.
	4-direction (N)	Center push (N)	4-direction (mm)	Center push (mm)							
SKRHAAE010	1.23	2.35	0.25	0.15	200,000 for each direction	500mΩ max.	Black	Without	7.35×7.5×1.8	—	1
SKRHABE010	1.23	2.35	0.25	0.15	200,000 for each direction	500mΩ max.	Black	With	7.35×7.5×1.8	—	2
SKRHACE010	1.2	2.35	0.25	0.15	1,000,000 for each direction	100mΩ max.	Natural	Without	7.45×7.5×1.85	—	3
SKRHAE010	1.2	2.35	0.25	0.15	1,000,000 for each direction	100mΩ max.	Natural	With	7.45×7.5×1.85	—	4

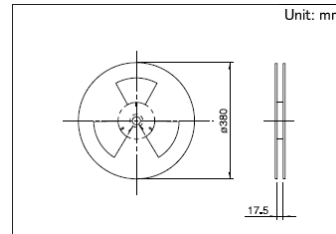
**Note**

1. This catalog shows only outline specifications. When using the products, please obtain formal specifications for supply.
2. 4-directional operating force and travel are measured at 4.3mm height from the bottom of the switch.
3. Please place purchase orders for taping products per minimum order unit (1 reel or a case).

■ Packing Specifications

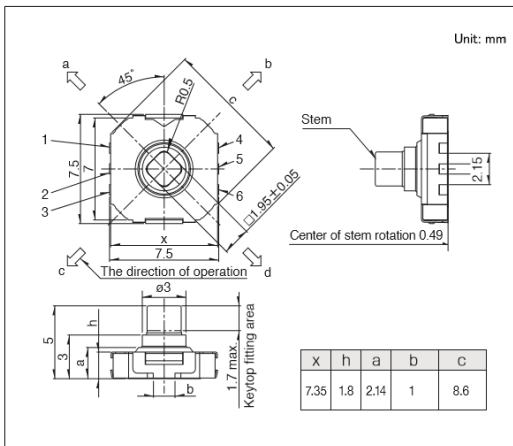
Taping

Number of packages (pcs.)			Tape width (mm)	Export package measurements (mm)
1 reel	1 case / Japan	1 case / export packing		
1,300	10,400	10,400	16	395×395×205

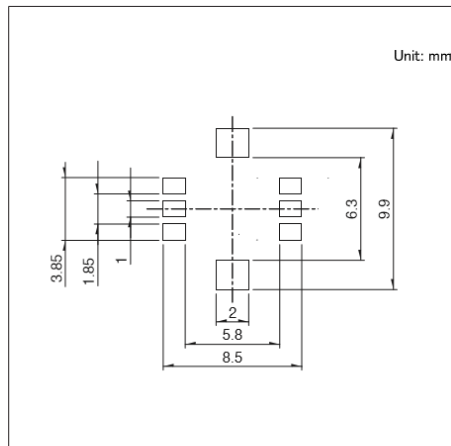


**Drawing No. 1**

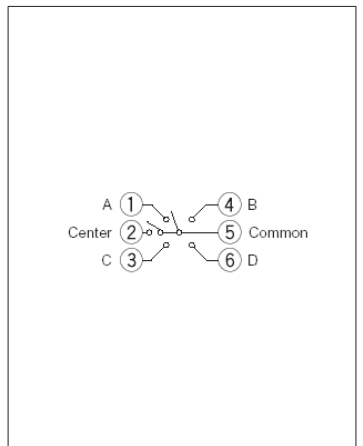
■ Dimensions



■ Land Dimensions



■ Circuit Diagram

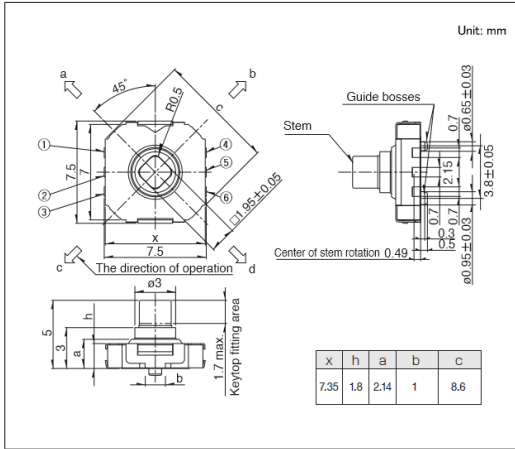


Viewed from mounting face.

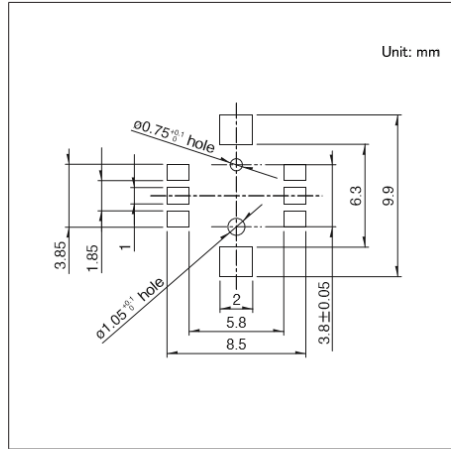
4-direction Type with Center-push Function (Surface Mount)  
**SKRH Series**

**Drawing No.2**

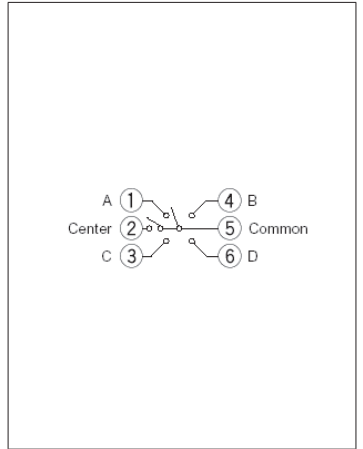
■ Dimensions



■ Land Dimensions



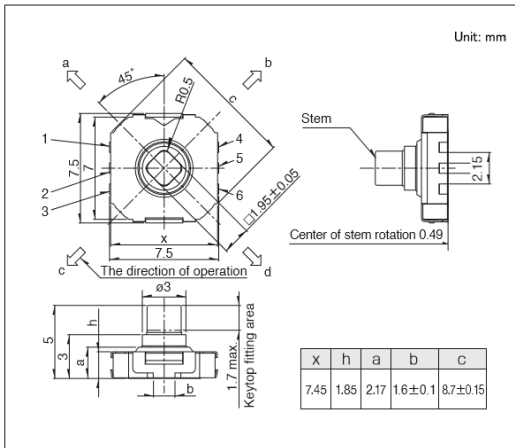
■ Circuit Diagram



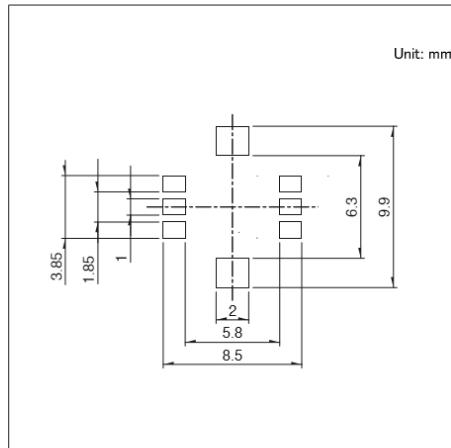
Viewed from mounting face.

**Drawing No.3**

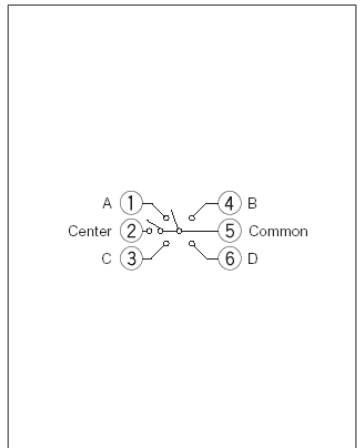
■ Dimensions



■ Land Dimensions



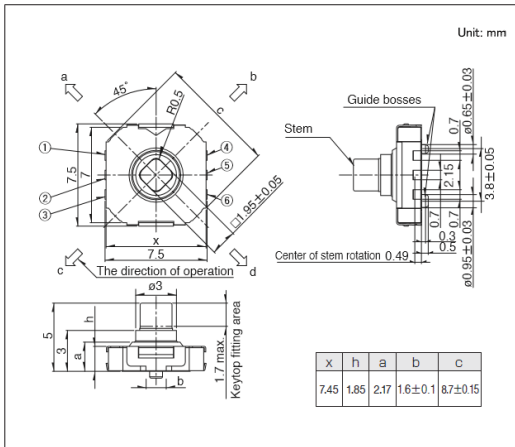
■ Circuit Diagram



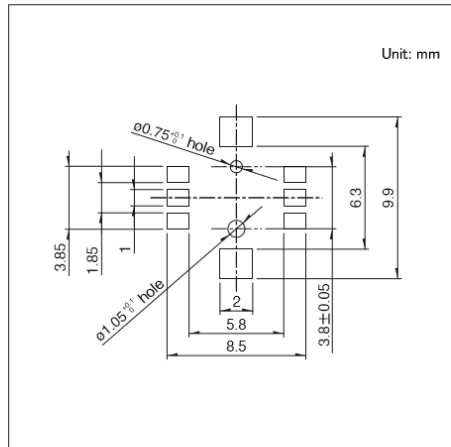
Viewed from mounting face.

**Drawing No.4**

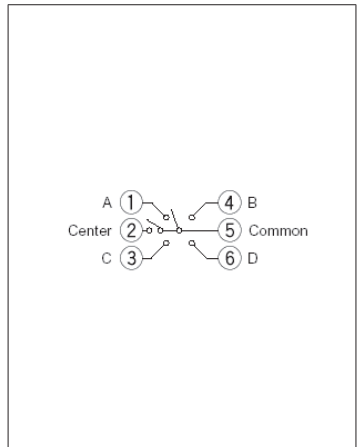
■ Dimensions



■ Land Dimensions



■ Circuit Diagram



Viewed from mounting face.