



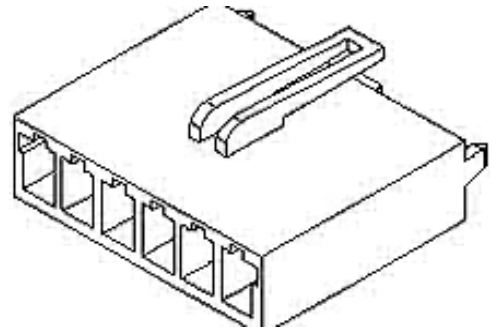
**Part Number :** [903311002](#)

**Product Description :** 3.96mm Pitch Industry Standard Power Supply Housing for Crimp Terminals, 6 Circuits, Keying to the Mating Part Required at Circuit 1, Natural Nylon

**Series Number :** 90331

**Status :** Active

**Product Category :** Connector Housings



---

## Documents and Resources

### Drawings

[903311002 sd.pdf](#)

[903311000-PK-000.pdf](#)

### 3D Models and Design Files

[STEP AP242](#)


[SOLIDWORKS](#)

[Creo](#)

---

## Product Environment Compliance

### Compliance

GADSL/IMDS	Not Relevant
China RoHS	 per SJ/T 11365-2006
EU ELV	Not Relevant
Low-Halogen Status	Low-Halogen per IEC 61249-2-21
REACH SVHC	Not Contained per D(2025)6375-DC (05 Nov 2025)
EU RoHS	Compliant per EU 2015/863

### [Compliance Statements](#)

- EU RoHS
- REACH SVHC
- Low-Halogen

### [Industry Documents](#)

- IPC 1752A Class C
- IPC 1752A Class D
- Molex Product Compliance Declaration
- IEC-62474
- chemSHERPA (xml)

#### Substances of Interest

- PFAS

#### EU RoHS Certificate of Compliance

#### Additional Product Compliance Information

---

## Part Details

### General

Status	Active
Category	Connector Housings
Series	90331
Description	3.96mm Pitch Industry Standard Power Supply Housing for Crimp Terminals, 6 Circuits, Keying to the Mating Part Required at Circuit 1, Natural Nylon
Application	Signal, Wire-to-Board
Product Name	N/A
UPC	800753749689

### Agency

CSA	LR19980
UL	E29179

### Physical

Circuits (maximum)	6
Color - Resin	Natural (White)
Flammability	94V-0
Gender	Receptacle
Glow-Wire Capable	No
Keying to Mating Part	Yes
Lock to Mating Part	Yes
Material - Resin	Nylon

Net Weight	1.760/g
Number of Rows	1
Packaging Type	Bag
Panel Mount	No
Pitch - Mating Interface	3.96mm
Pitch - Termination Interface	3.96mm
Temperature Range - Operating	-40° to +85°C

---

## Mates With / Use With

### Mates with Part(s)

Description	Part Number
KK 396 Vertical Through Hole Headers	<u>8619</u>

### Use with Part(s)

Description	Part Number
KK 396 Female Crimp Terminals	<u>2478</u>

---

This document was generated on Dec 26, 2025