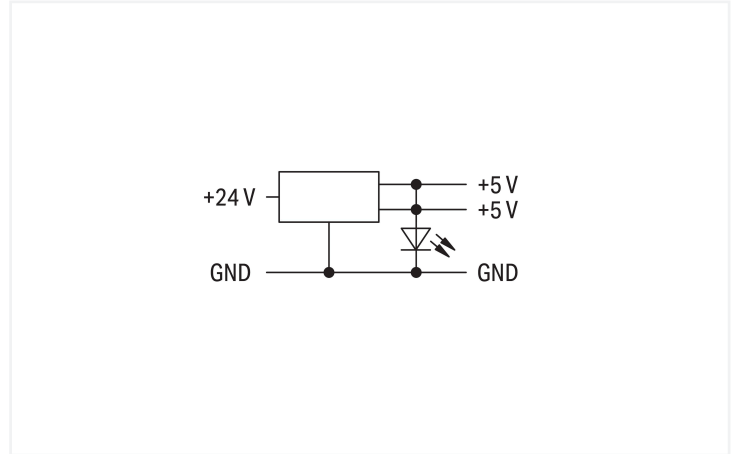
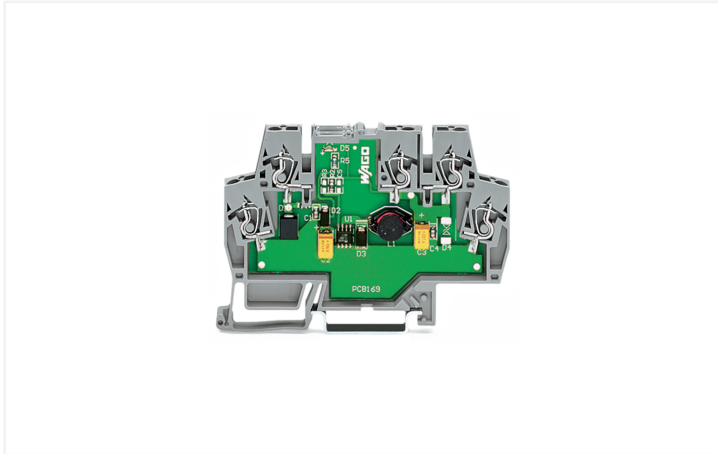


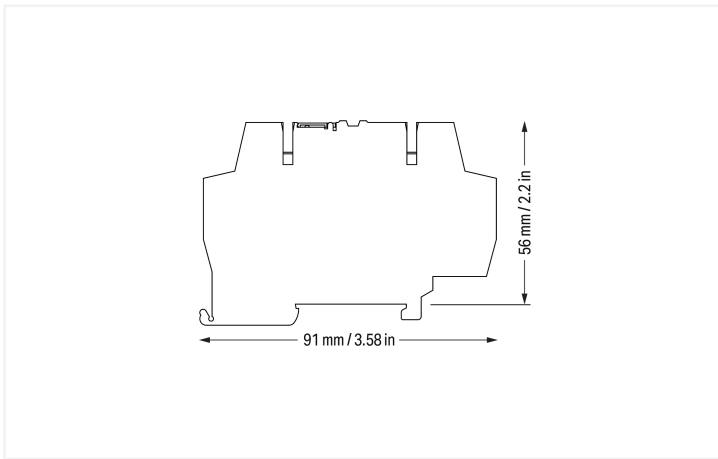
Data Sheet | Item Number: 859-801

DC/DC Converter; 24 VDC input voltage; 5 VDC output voltage; 0.4 A output current; 2,50 mm²; gray

<https://www.wago.com/859-801>



Color: ■ gray



End and intermediate plate (859-525) is included

Technical data

Input		Output	
Nominal input voltage $U_{i, nom}$	24 VDC	Nominal output voltage $U_{o, nom}$	5 VDC
Input voltage range	10 ... 30 VDC	Output voltage range	±2 %
Nominal mains frequency range	0 Hz	Nominal output current $I_{o, nom}$	0.5 A (single, 10 mm spacing); 0.4 A (in a row)
Mains failure hold-up time	≥ 1 ms	Operating voltage feedthrough	≤ 2 %
		Load regulation	≤ 0.5 %
		Residual ripple	≤ 150 mV
		Switching frequency	20 kHz (Nominal)
		Overload behavior	Temporary no damage (short circuit of the output for 1 minute)

Signaling and Communication

Signaling	1 x LED
-----------	---------

Efficiency/Power Losses

Efficiency (typ.)	70 %
-------------------	------

Circuit Protection

Internal fuse	TVS diode
---------------	-----------

Safety and protection

Protection class	III
Protection type	IP20; per EN 60529
Reverse voltage protection	Yes
Pollution degree	2
Series operation	No

Connection Data

Number of jumper slots	2
------------------------	---

Connection 1

Connection technology	CAGE CLAMP®
WAGO connector	WAGO 859 Series
Solid conductor	0.08 ... 2.5 mm ² / 28 ... 14 AWG
Fine-stranded conductor	0.08 ... 2.5 mm ² / 28 ... 14 AWG
Strip length	5 ... 6 mm / 0.2 ... 0.24 inches

Physical data

Width	6 mm / 0.236 inches
Height	91 mm / 3.583 inches
Depth from upper-edge of DIN-rail	56 mm / 2.205 inches

Mechanical data

Housing design	Rail-mount terminal block
Mounting type	DIN-35 rail

Material data

Color	gray
Fire load	0.41 MJ
Weight	20 g

Environmental requirements

Ambient temperature (operation)	0 ... +40 °C
---------------------------------	--------------

Standards and Specifications	
Conformity marking	CE

Commercial data	
PU (SPU)	10 (1) pcs
Packaging type	Box
Country of origin	US
GTIN	4050821021568
Customs tariff number	85044083900

Product Classification	
UNSPSC	39121004
eCl@ss 10.0	27-04-07-01
eCl@ss 9.0	27-04-07-01
ETIM 9.0	EC002540
ETIM 10.0	EC002540
ECCN	EAR99

Environmental Product Compliance	
RoHS Compliance Status	Compliant, No Exemption

Approvals / Certificates

General approvals			Declarations of conformity and manufacturer's declarations											
			<table border="1"> <thead> <tr> <th>Approval</th> <th>Standard</th> <th>Certificate Name</th> </tr> </thead> <tbody> <tr> <td>EAC GZO Almaty Standart</td> <td>TP TC 020/2011</td> <td>EAC CoC 03081</td> </tr> <tr> <td>UL Underwriters Laboratories Inc. (ORDINARY LOCATIONS)</td> <td>UL 508</td> <td>E175199 Sec.4</td> </tr> </tbody> </table>			Approval	Standard	Certificate Name	EAC GZO Almaty Standart	TP TC 020/2011	EAC CoC 03081	UL Underwriters Laboratories Inc. (ORDINARY LOCATIONS)	UL 508	E175199 Sec.4
Approval	Standard	Certificate Name												
EAC GZO Almaty Standart	TP TC 020/2011	EAC CoC 03081												
UL Underwriters Laboratories Inc. (ORDINARY LOCATIONS)	UL 508	E175199 Sec.4												

Approvals for hazardous areas		
Approval	Standard	Certificate Name
CCC CNEX	CNCA-C23-01	2021312304000982 (Ex ec IIC T4 Gc)
UKEx WAGO GmbH & Co. KG	EN 60079-0	WAGO22UKEX007X_ec
UL Underwriters Laboratories Inc. (HAZARDOUS LOCATIONS)	ANSI/ISA 12.12.01	E198726

Downloads

Environmental Product Compliance

Compliance Search

Environmental Product Compliance 859-801



Documentation

Bid Text

859-801	19.02.2019	xml 4.23 KB	
859-801	06.02.2015	doc 26.00 KB	

Instruction Leaflet

CCC Ex (Additional information)	26.04.2023	pdf 132.68 KB	
DC/DC-Wandler		pdf 79.43 KB	

CAD/CAE-Data

CAD data

2D/3D Models 859-801



CAE data

EPLAN Data Portal 859-801	
WSCAD Universe 859-801	
ZUKEN Portal 859-801	

1 Compatible Products

1.1 Optional Accessories

1.1.1 End plate

1.1.1.1 End plate



Item No.: 859-525

End and intermediate plate; 1 mm thick; gray

1.1.1.2 Intermediate plate



Item No.: 859-525

End and intermediate plate; 1 mm thick; gray

1.1.2 Marking

1.1.2.1 Marker



Item No.: 2009-145

Mini-WSB Inline; for Smart Printer; 1700 pieces on roll; stretchable 5 - 5.2 mm; plain; snap-on type; white

Item No.: 248-502

Mini-WSB marking card; as card; MARKED; 1 ... 10 (10x); not stretchable; Horizontal marking; snap-on type; white

Item No.: 248-503

Mini-WSB marking card; as card; MARKED; 11 ... 20 (10x); not stretchable; Horizontal marking; snap-on type; white

Item No.: 248-506

Mini-WSB marking card; as card; MARKED; 41 ... 50 (10x); not stretchable; Horizontal marking; snap-on type; white



Item No.: 248-501

Mini-WSB marking card; as card; not stretchable; plain; snap-on type; white

Item No.: 793-5501

WMB marking card; as card; for terminal block width 5 - 17.5 mm; stretchable 5 - 5.2 mm; plain; snap-on type; white

Item No.: 793-501

WMB marking card; as card; not stretchable; plain; snap-on type; white

1.1.2.2 Marking device



Item No.: 210-110

Fiber-tip pen

1.1.3 Tool

1.1.3.1 Operating tool



Item No.: 210-720

Operating tool; Blade: 3.5 x 0.5 mm; with a partially insulated shaft; multicoloured