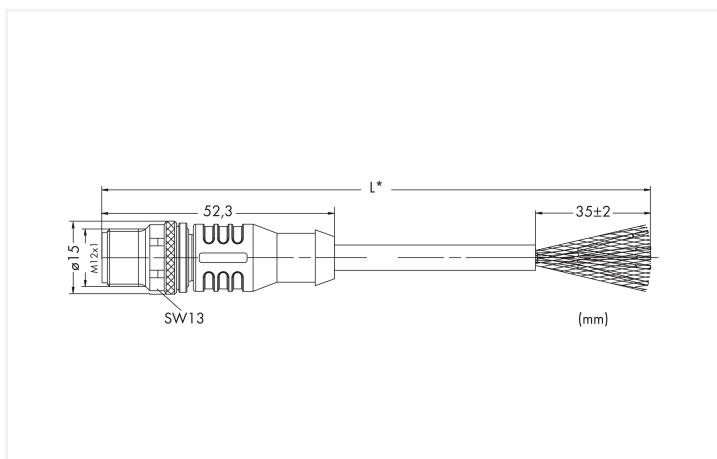
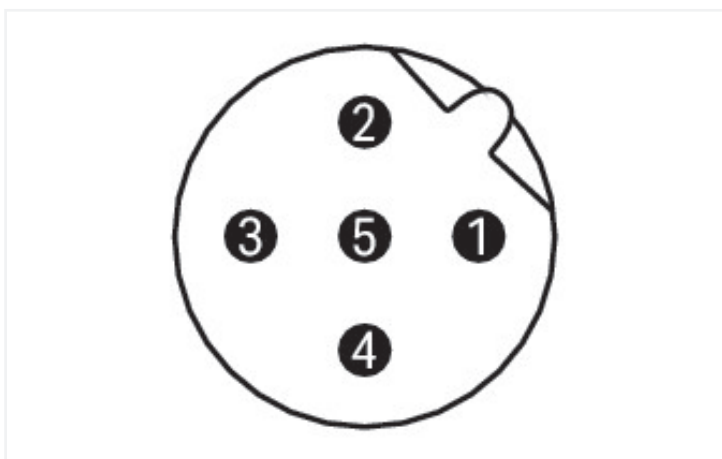
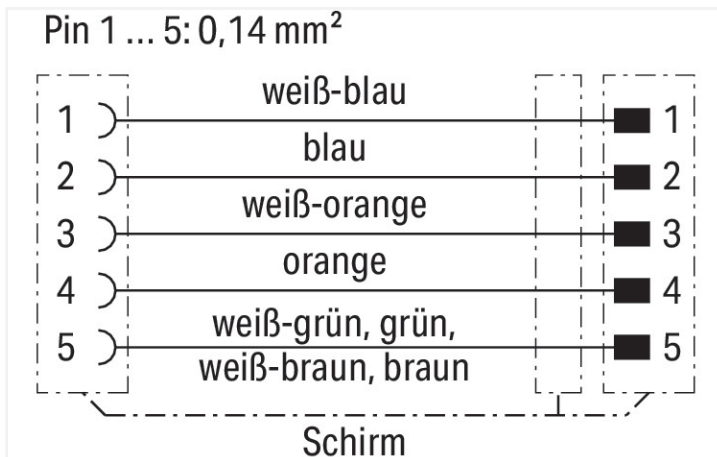




Color: ■ yellow



Dimensions in mm

Short description:

- PUR, halogen-free
- Silicon- and CFC-free
- High resistance to microbes, hydrolysis, oil, chemicals and UV radiation
- High chemical resistance
- Cable used: UL listed

Technical data

Operating voltage	60 V
Insulation resistance	≥5 x 10 ⁸ Ω
Conductor resistance	≤ 145 Ω/km

Mechanical data

Weight	404 g
Color	yellow

Commercial data

PU (SPU)	1 pcs
Packaging type	Box
Country of origin	DE
GTIN	4045454791285
Customs tariff number	85444290900
End of Sale	2024-05-01
End of Production	2024-05-15
End of Delivery	2024-06-01
End of Service and Repair	2025-06-01

Product Classification

UNSPSC	26121604
eCl@ss 10.0	27-06-18-01
eCl@ss 9.0	27-06-18-01
ETIM 9.0	EC000237
ECCN	NO US CLASSIFICATION

Environmental Product Compliance

RoHS Exemption	6(c)
SCIP notification number (Austria)	d4a53fc8-a3be-46bc-9481-7bf6a948de55
SCIP notification number (Belgium)	80317f90-ca85-48e1-9956-6442be5168b6
SCIP notification number (Bulgaria)	ab34b194-3f2b-4c0d-b999-0b4bce88b444
SCIP notification number (Czech Republic)	d9007da2-68f3-4d9c-bb66-944534c89480
SCIP notification number (Denmark)	6217b60d-9f38-45df-914b-ccd62365f558
SCIP notification number (Finland)	3c775c90-d9b1-452c-86af-81fa117383f4
SCIP notification number (France)	68f9852f-6fa7-4f8c-98de-b573818c5c9e
SCIP notification number (Germany)	89bb2845-1552-4523-b380-ce1d8b292646
SCIP notification number (Hungary)	0a29f780-9ef8-4e1f-967b-440b69031c7b
SCIP notification number (Italy)	b290558a-1d42-4bfa-a43b-6346216184de
SCIP notification number (Netherlands)	6ce09eab-5d11-46f7-825e-8ac9655d8351
SCIP notification number (Poland)	a9b517cf-f975-451a-b7c9-52242356f6b2
SCIP notification number (Romania)	ff96f287-e6b1-4b07-a3ba-6b3badf3f0ab
SCIP notification number (Sweden)	3ef9ad40-f491-47b9-9830-6482162936c2


Downloads

Environmental Product Compliance

Compliance Search	
Environmental Product Compliance 756-1303/060-100	↓

Documentation

System Description

I/O-SYSTEM – SPEED-WAY, General Product Information	pdf 1035.20 KB	
---	-------------------	---

CAD/CAE-Data

CAE data

WSCAD Universe 756-1303/060-100	
------------------------------------	---