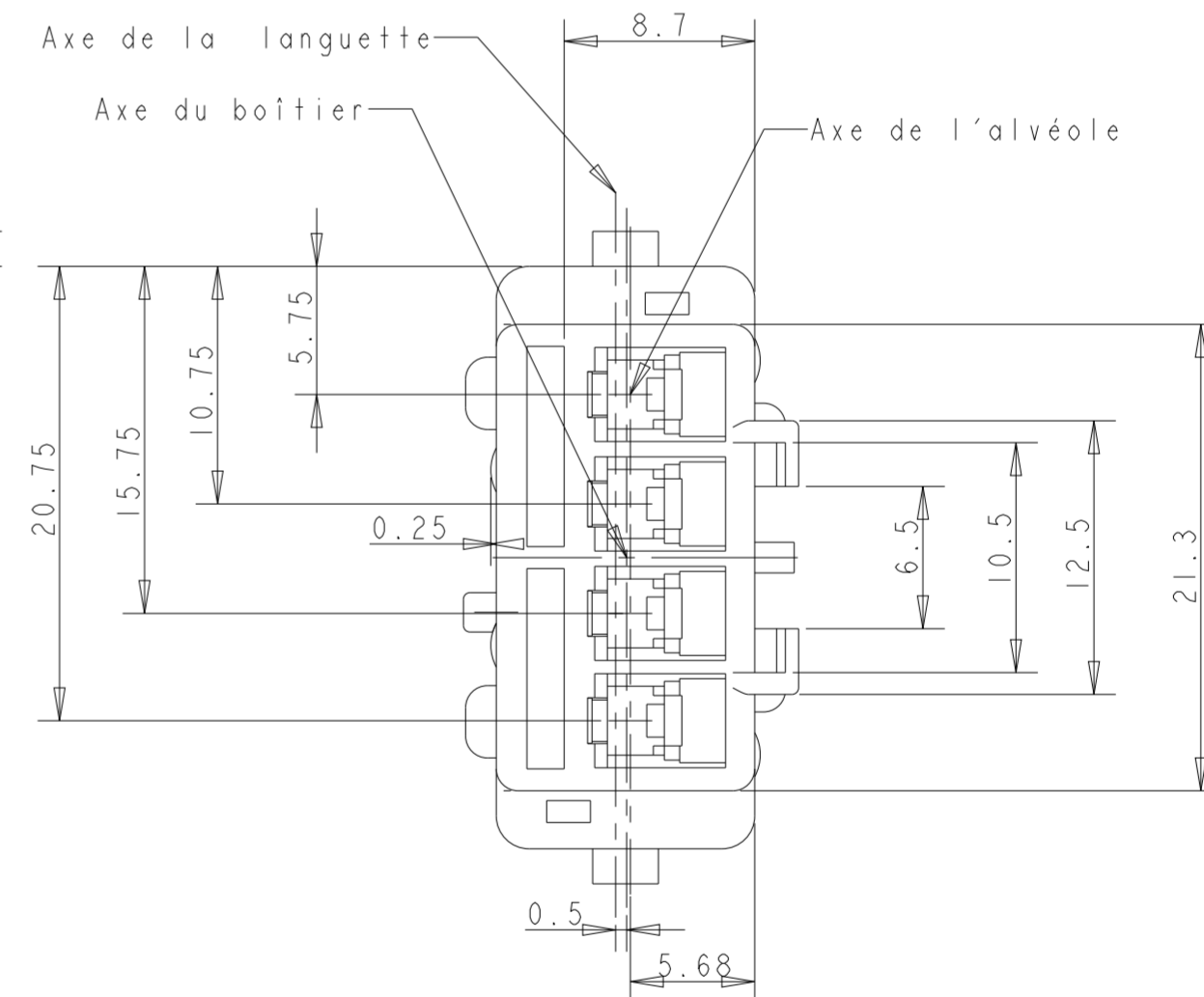
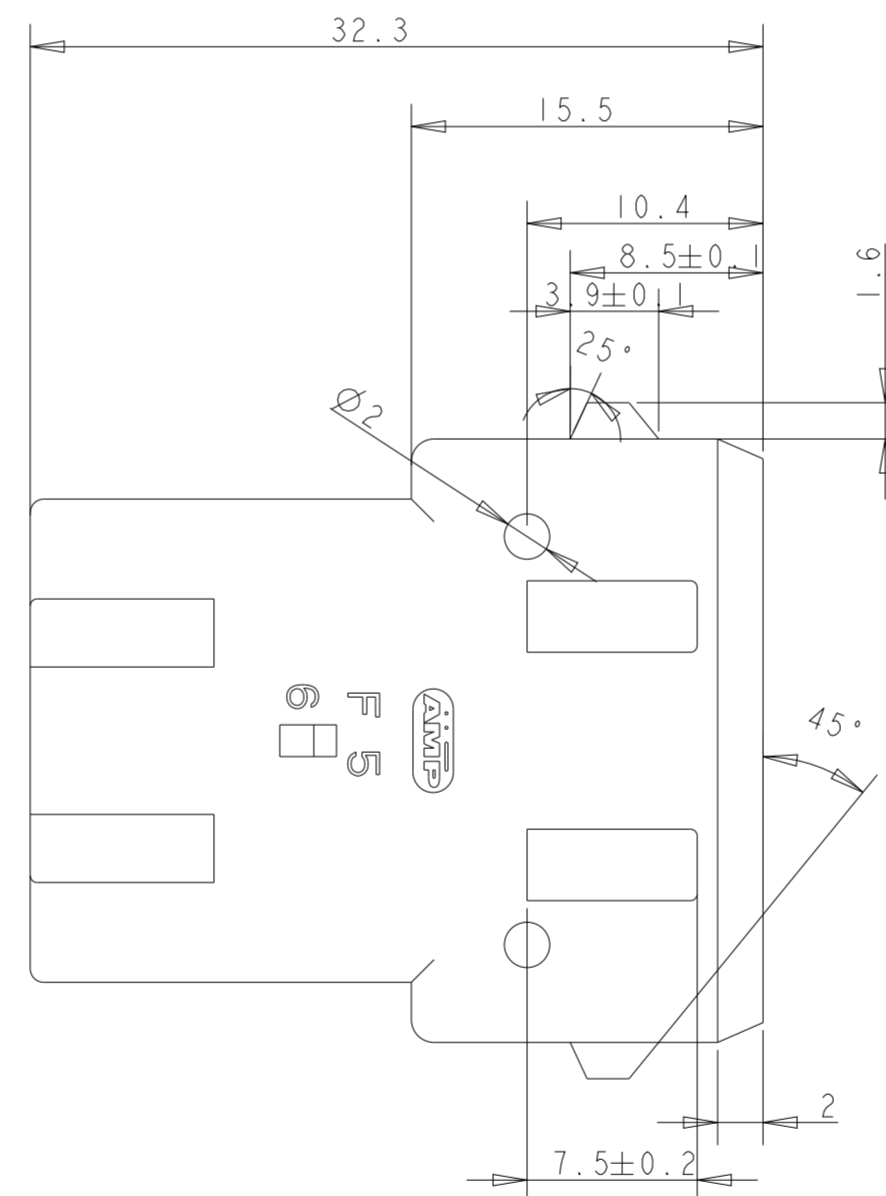
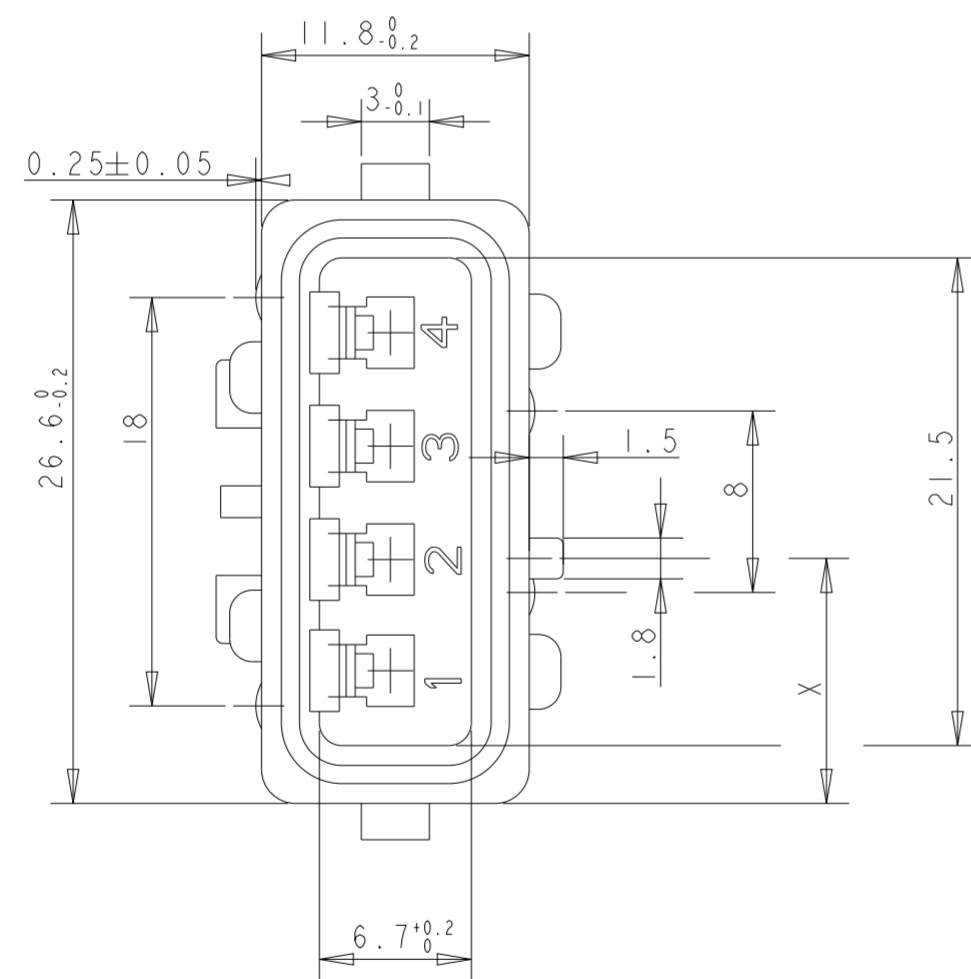
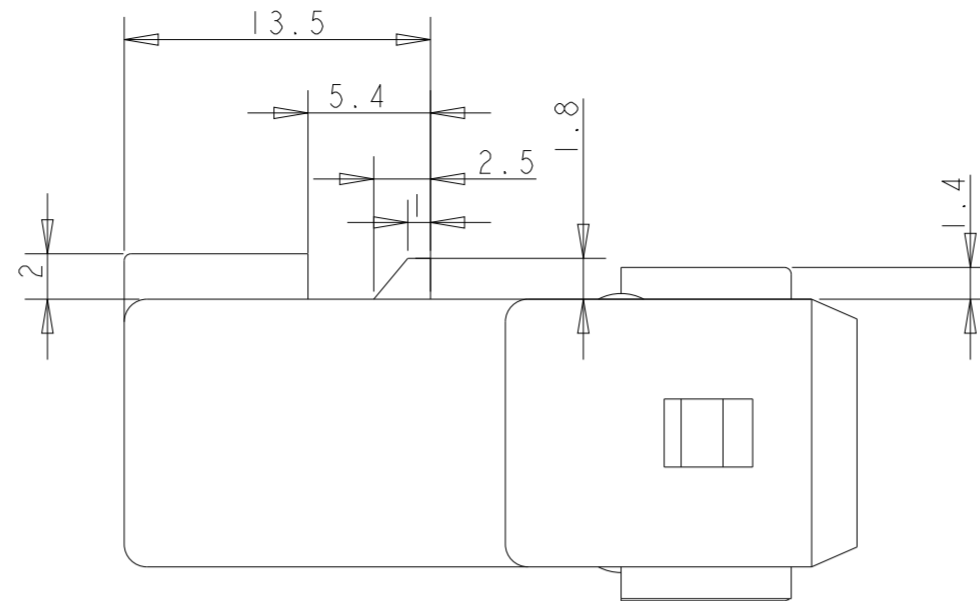
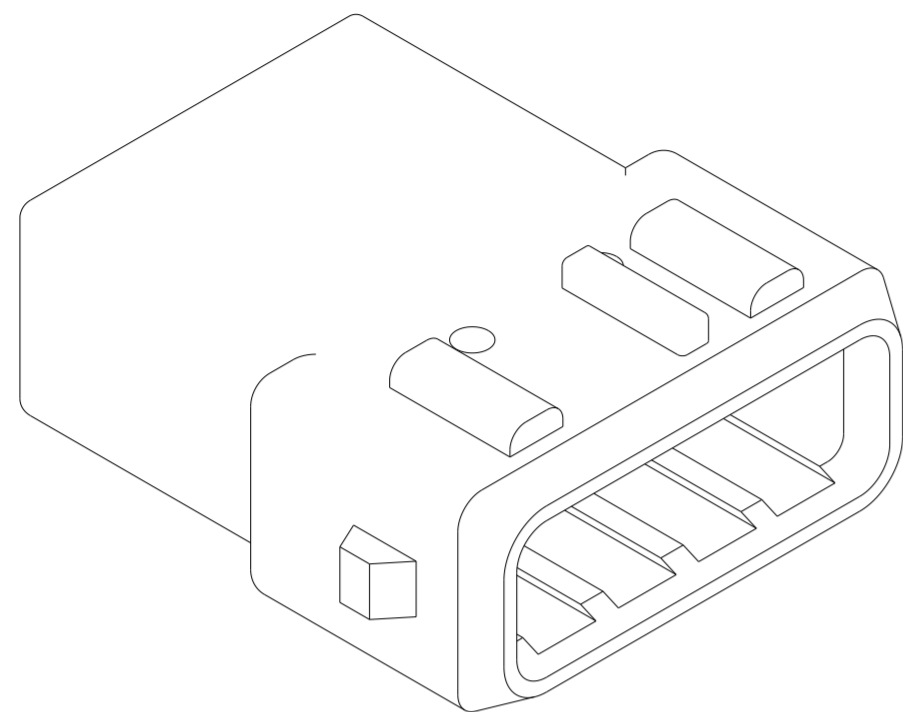


P	LTR	DESCRIPTION	DATE	DWN	APVD
C		REDESSINE AVEC PROE	09NOV2006	RP	JPP
D		OBSOLETE STAMP ADDED ON I-I VARIANT	09NOV2020	ASB	XR



DETROMPAGE		
COULEUR	" X "	REFERENCE
NOIR	AUCUN DETROMPAGE	1-144547-0
MARRON	10.8	1-144547-1
VERT	12.6	1-144547-5
GRIS	14.4	1-144547-8
BLEU	16.2	1-144547-6
VIOLET	AUCUN DETROMPAGE	1-144547-7

OBSOLETE (D)

REFERENCE REPRESENTEE: 1-144547-1

THIS DRAWING IS A CONTROLLED DOCUMENT.		DWN R. PATIN 09NOV2006	 TE Connectivity
DIMENSIONS: mm		CHK JP PICAUD 10NOV2006	
TOLERANCES UNLESS OTHERWISE SPECIFIED:		APVD J. DAHER 10NOV2006	
0 PLC ±	±0.3	PRODUCT SPEC	NAME PORTE-LANGUETTE ETANCHE 4 VOIES MIC IV
1 PLC ±	±	APPLICATION SPEC	SIZE A2
2 PLC ±	±	WEIGHT	CAGE CODE 00779
3 PLC ±	±	CUSTOMER DRAWING	DRAWING NO C-144547
4 PLC ±	±5°	SCALE 3:1	SHEET 1 OF 1
ANGLES ±5°		RESTRICTED TO	REV D