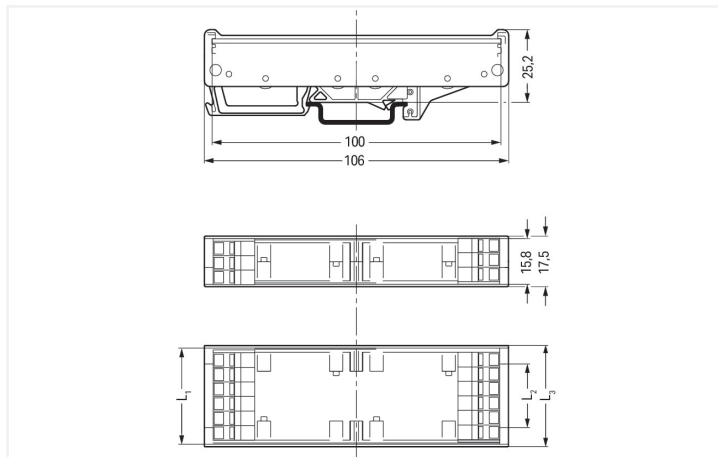
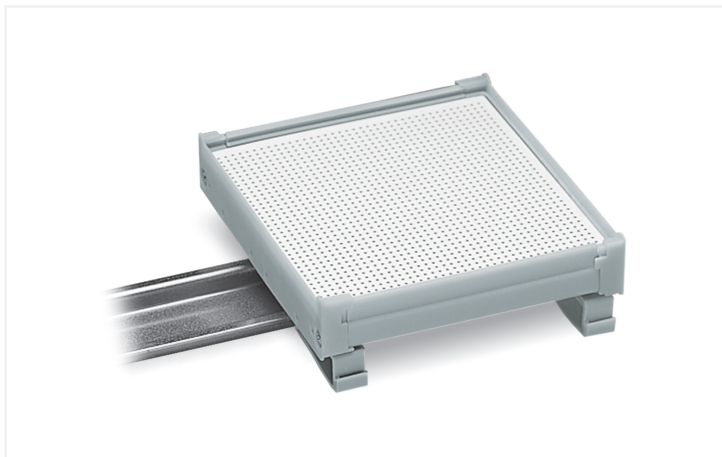


Data Sheet | Item Number: 288-622

Fixing foot for DIN 35 rail; gray

<https://www.wago.com/288-622>

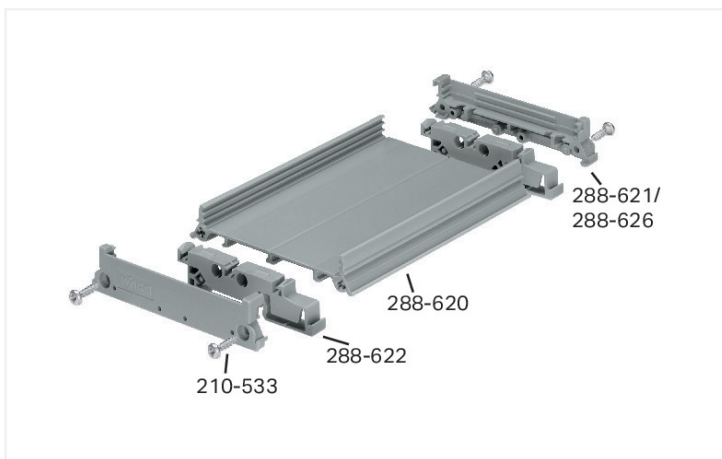


Color: ■ gray

Similar to illustration

Dimensions in mm

$L1 = \text{PCB/cover length}$
 $L2 = L1 - 15.8 \text{ mm}$ (L2 = carrier base length)
 $L3 = L1 + 2 \text{ mm}$



DIN-rail-mount PCB carrier, size 2

DIN-rail-mount PCB carrier, size 2 – mounting foot for DIN-35 rail

Mechanical data

Mounting type: DIN-35 rail

Material data

Color: gray
Housing material: PA 6.6

Commercial data

| | |
|-----------------------|--------------------------|
| Product Group | 6 (INTERFACE ELECTRONIC) |
| PU (SPU) | 100 (1) pcs |
| Packaging type | Box |
| Country of origin | DE |
| GTIN | 4017332639460 |
| Customs tariff number | 39269097900 |

Product Classification

| | |
|-------------|----------------------|
| UNSPSC | 39121702 |
| eCl@ss 10.0 | 27-18-27-02 |
| eCl@ss 9.0 | 27-18-27-02 |
| ETIM 9.0 | EC001031 |
| ETIM 10.0 | EC001031 |
| ECCN | NO US CLASSIFICATION |

Environmental Product Compliance

| | |
|------------------------|-------------------------|
| RoHS Compliance Status | Compliant, No Exemption |
|------------------------|-------------------------|

Downloads

Environmental Product Compliance

| |
|--|
| Compliance Search |
| Environmental Product Compliance 288-622 |

CAD/CAE-Data

| |
|----------------------|
| CAD data |
| 2D/3D Models 288-622 |

| |
|------------------------|
| CAE data |
| WSCAD Universe 288-622 |
| ZUKEN Portal 288-622 |

1 Compatible Products

1.1 Optional Accessories

1.1.1 Installation

1.1.1.1 Mounting accessories



| |
|--------------------------|
| Item No.: 210-533 |
| Phillips screw 2.9 x 13 |

1.1.1.2 Mounting carrier and mounting feet



Item No.: 288-620

Track section; Size 2; 1 m long; gray

Item No.: 288-620/024-000

Track section; Size 2; gray