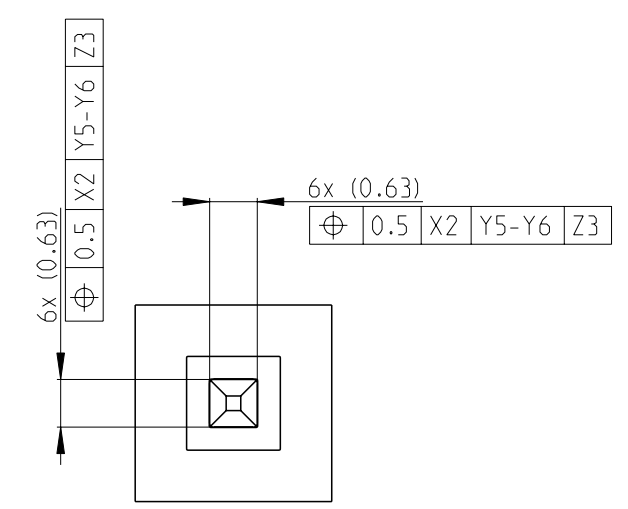
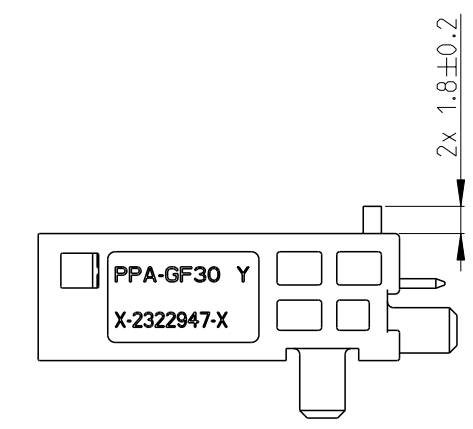
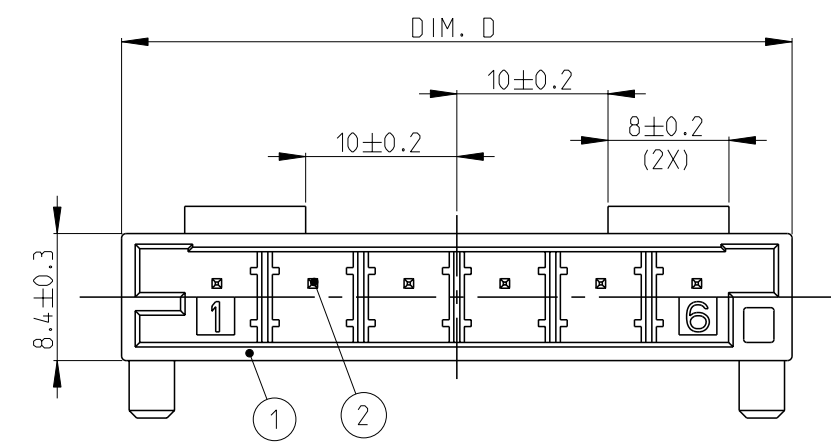
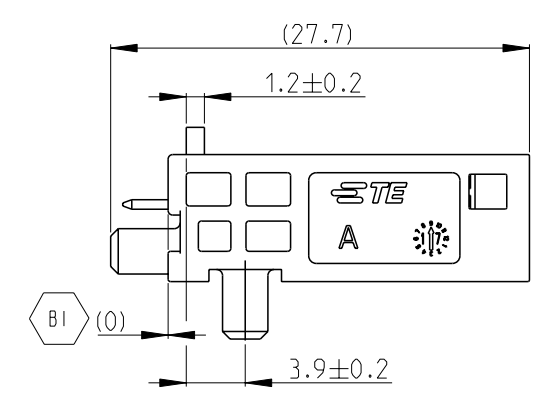
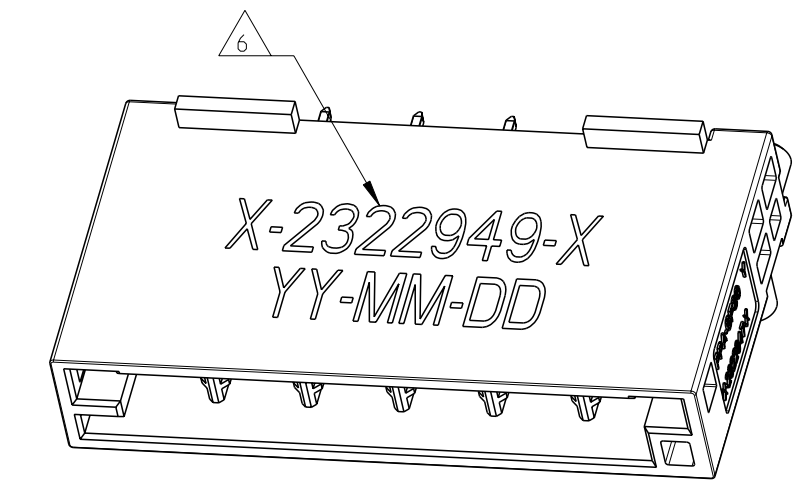
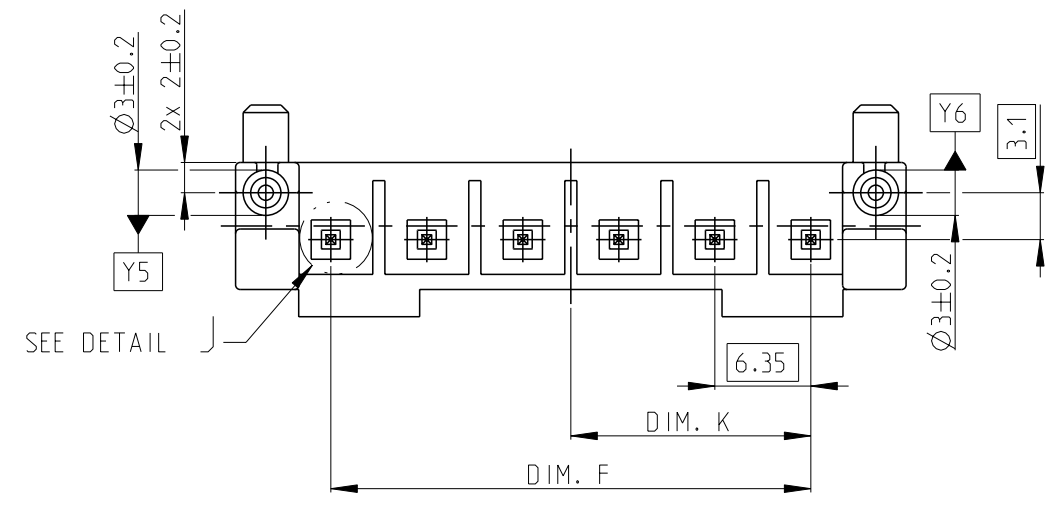
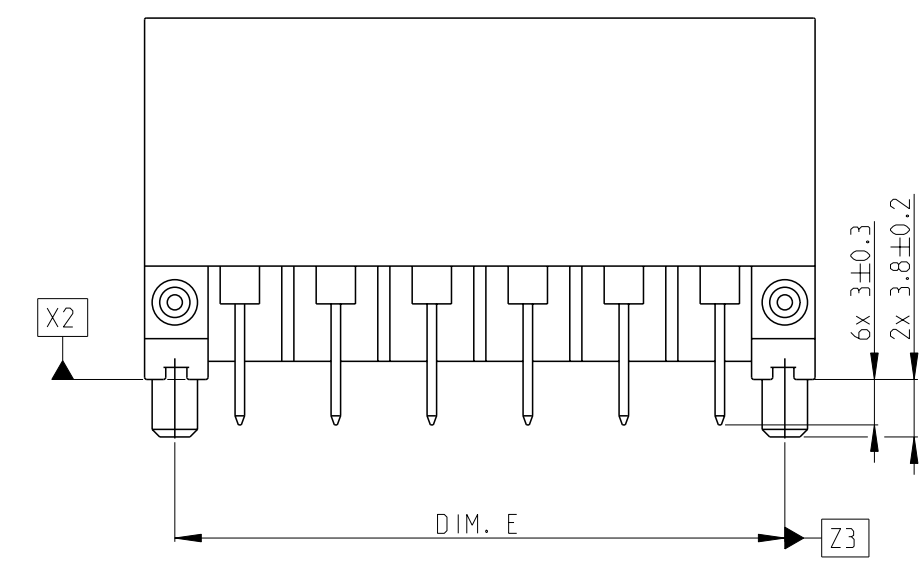


THIS DRAWING IS UNPUBLISHED. RELEASED FOR PUBLICATION 20
 © COPYRIGHT 20 BY - ALL RIGHTS RESERVED.

REVISIONS					
P	LTR	DESCRIPTION	DATE	DWN	APVD
A		RELEASED	20NOV18	W.Z	W.W
B		REVISED (ECR-21-001359)	17MAR21	W.Z	E.J
B1		ECN-21-117068	20OCT21	H.S	J.Z



DETAIL SCALE 10:1

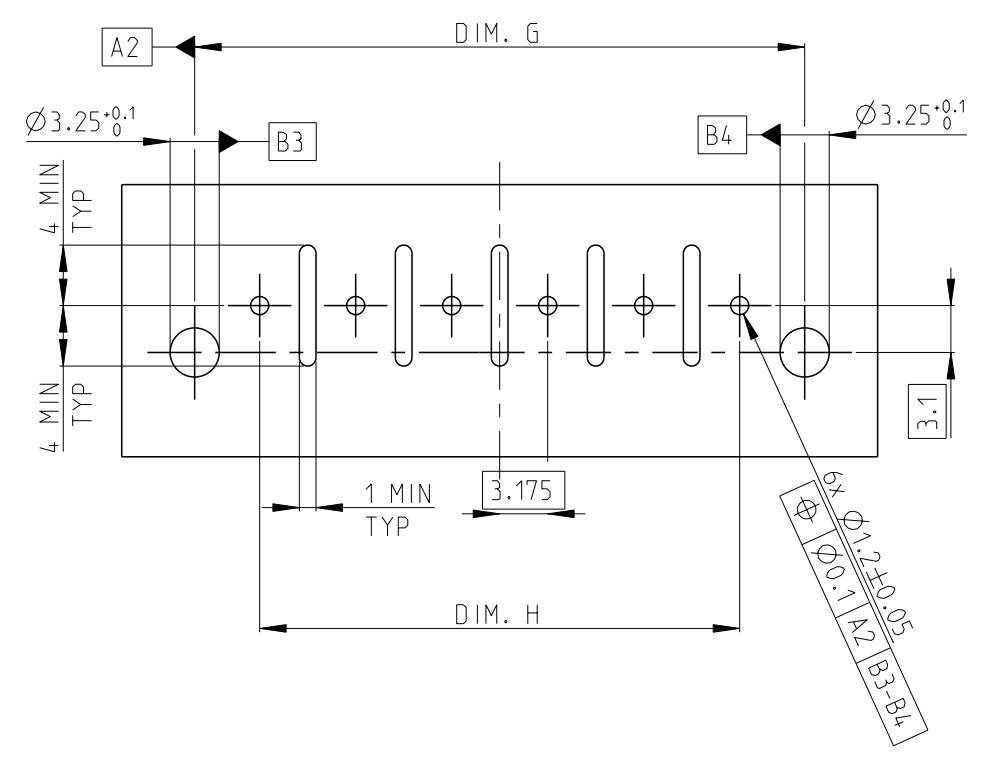


2322949-1 AS SHOWN

- 1 MATERIAL SEE TABLE
- 2 TERMINAL PLATING : Sn OVER Ni
- 3 MATING PLUG P/N:
6POS: 2322948-1 FOR CODE-A, 2322948-2 FOR CODE-B
2POS: 2-2322948-1 FOR CODE-A, 2-2322948-2 FOR CODE-B
- 4 OPERATION TEMPERATURE: -40°C ~ 125°C
- 5 RATED OPERATION VOLTAGE: 1000V DC

- 6 LASER MARK PRINTING INCLUDES:
(1) TE ASSEMBLY PART NUMBER
(2) PRODUCTION DATE: YY-YEAR, MM-MONTH, DD-DATE
- 7 RECOMMENDED PCB MATERIAL CTI VALUE >400
DEGREE OF POLLUTION IN THE MICRO-ENVIRONMENT: POLLUTION DEGREE 2

7 RECOMMENDED PCB LAYOUT

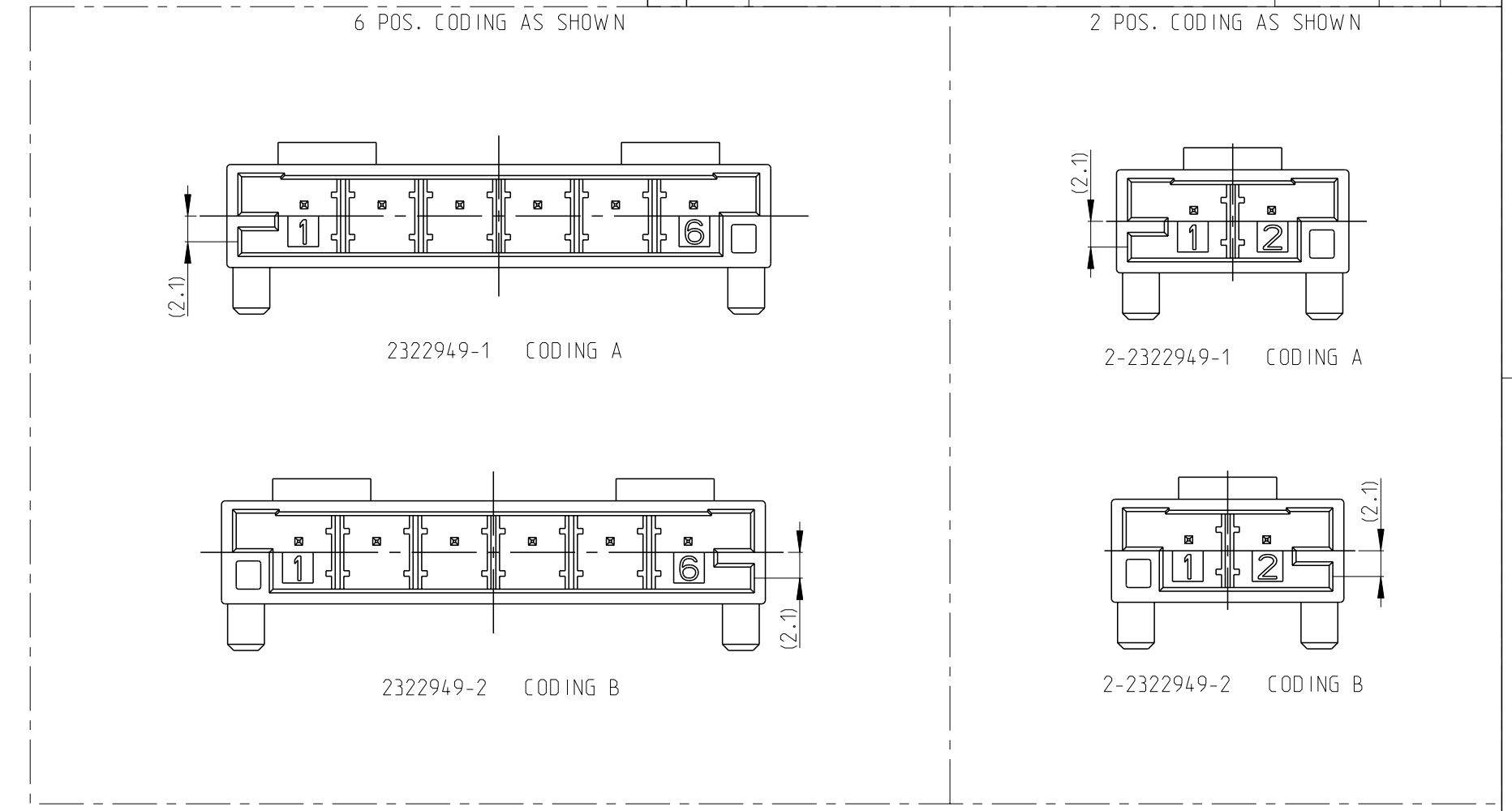
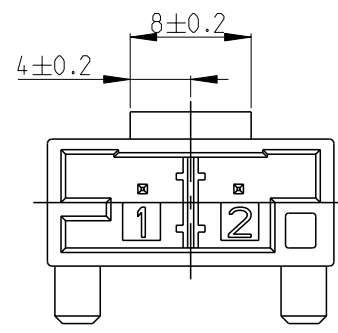


THIS DRAWING IS A CONTROLLED DOCUMENT.		DWN X.LI	21JUL2017	TE Connectivity	
DIMENSIONS: mm		CHK W.WU	07AUG2017		
TOLERANCES UNLESS OTHERWISE SPECIFIED:		APVD L.YIN	10AUG2017	NAME HV DETECTING HEADER ASSY VERTICAL TYPE	
0 PLC ±0.3		PRODUCT SPEC		SIZE	
1 PLC ±		108-32179		CAGE CODE	
2 PLC ±		APPLICATION SPEC		DRAWING NO	
3 PLC ±		-		RESTRICTED TO	
4 PLC ±		WEIGHT		A2	
ANGLES ±		-		00779	
FINISH		-		C-2322949	
MATERIAL SEE TABLE		CUSTOMER DRAWING		SCALE 2:1	
-		-		SHEET 1 OF 2	
-		-		REV B1	

THIS DRAWING IS UNPUBLISHED. RELEASED FOR PUBLICATION 20
 © COPYRIGHT 20 BY - ALL RIGHTS RESERVED.

P	LTR	DESCRIPTION	DATE	DWN	APVD
-		SEE SHEET 1	-	-	-

DIMENSION FOR 2 POS.



QTY REQD PER ASSY	2-2322949-2	2-2322949-1	2322949-2	2322949-1	DIM. H	DIM. G	DIM. J	DIM. F	DIM. E	DIM. K	DIM. D	DESCRIPTION	MATERIAL	COLOR/FINISH	POS. NO.	ITEM NO
2	2	-	-		6.35	14.96±0.05	3.175	6.35	14.96±0.2	3.175	18.95±0.3	SQ PIN	Cu ALLOY	Sn OVER Ni	2	2
1	-	-	-									2 POS HOUSING CODING B	PPA-GF30	ORANGE	2	1
-	1	-	-									2 POS HOUSING CODING A	PPA-GF30	ORANGE		1
-	-	6	6									SQ PIN	Cu ALLOY	Sn OVER Ni	6	2
-	-	1	-	5x 6.35 = 31.75	40.35±0.05	15.875	5x 6.35 = 31.75	40.35±0.2	15.875	44.35±0.3		6 POS HOUSING CODING B	PPA-GF30	ORANGE		1
-	-	-	1									6 POS HOUSING CODING A	PPA-GF30	ORANGE		1

THIS DRAWING IS A CONTROLLED DOCUMENT.

DWN: X.LI 21JUL2017
 CHK: W.WU 07AUG2017
 APVD: J.YIN 10AUG2017

TE Connectivity

NAME: HV DETECTING HEADER ASSY VERTICAL TYPE

SIZE: A2 CAGE CODE: 00779 DRAWING NO: C-2322949 RESTRICTED TO: -

MATERIAL: SEE TABLE FINISH: - WEIGHT: - CUSTOMER DRAWING SCALE: 2:1 SHEET: 2 OF 2 REV: B1

Printed on 21 Oct 2021 10:53 (Alpha Standard Time) from TE375692