

CUC-BH-M12A1PBK-S/R4BE - Control cabinet feed-through



1414396

<https://www.phoenixcontact.com/us/products/1414396>

Please be informed that the data shown in this PDF document is generated from our online catalog. Please find the complete data in the user documentation. Our general terms of use for downloads are valid.

Control cabinet feed-through, M12, 8-pos., A-coded on RJ45 socket, socket input 180°, IP65/67



Your advantages

- Compact design
- IP65/67
- 1 Gbps

Commercial data

Item number	1414396
Packing unit	1 pc
Minimum order quantity	1 pc
Sales key	AB18
Product key	ABNPBA
Catalog page	Page 348 (C-2-2019)
GTIN	4055626166766
Weight per piece (including packing)	34 g
Weight per piece (excluding packing)	34 g
Customs tariff number	85366990
Country of origin	DE

CUC-BH-M12A1PBK-S/R4BE - Control cabinet feed-through



1414396

<https://www.phoenixcontact.com/us/products/1414396>

Technical data

Product properties

Product type	Female insert
Type	M12
Sensor type	Ethernet
Number of positions	8
Connection profile	M12
Shielded	yes
Cable outlet	straight
Thread type	M12

Insulation characteristics

Overvoltage category	III
Degree of pollution	2

Electrical properties

Maximum load current	0.5 A
Rated voltage (III/3)	72 V (DC)
Rated surge voltage	0.8 kV
Rated current	1.75 A
Nominal voltage U_N	48 V
Nominal current I_N	0.5 A
Transmission medium	Copper
Transmission characteristics (category)	CAT6 _A
Power transmission	PoE++

Connection data

Connection technology

Connection method	Coupling
-------------------	----------

Material specifications

Color	black
Flammability rating according to UL 94	V0
Housing material	Plastic
Material of grip body	PA
Contact material	Copper alloy

Connector

Connection 1

Type	Socket M12
Locking type	Screw connection
Coding type	A

CUC-BH-M12A1PBK-S/R4BE - Control cabinet feed-through



1414396

<https://www.phoenixcontact.com/us/products/1414396>

Shielded	yes
Insertion/withdrawal cycles	≥ 750 (RJ45)
Degree of protection	IP65/IP67

Connection 2

Type	Socket RJ45
Degree of protection	IP20

Mechanical properties

Mechanical data

Insertion/withdrawal cycles	≥ 100
-----------------------------	-------

Environmental and real-life conditions

Ambient conditions

Degree of protection	IP65/IP67, when installed
Ambient temperature (operation)	-25 °C ... 85 °C

Mounting

Mounting type	Rear mounting
---------------	---------------

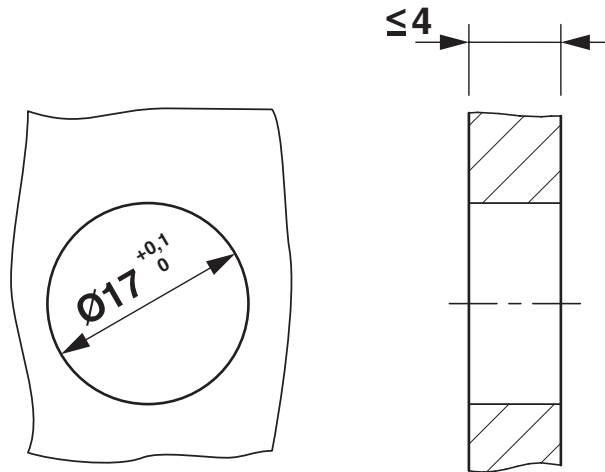
CUC-BH-M12A1PBK-S/R4BE - Control cabinet feed-through

1414396

<https://www.phoenixcontact.com/us/products/1414396>

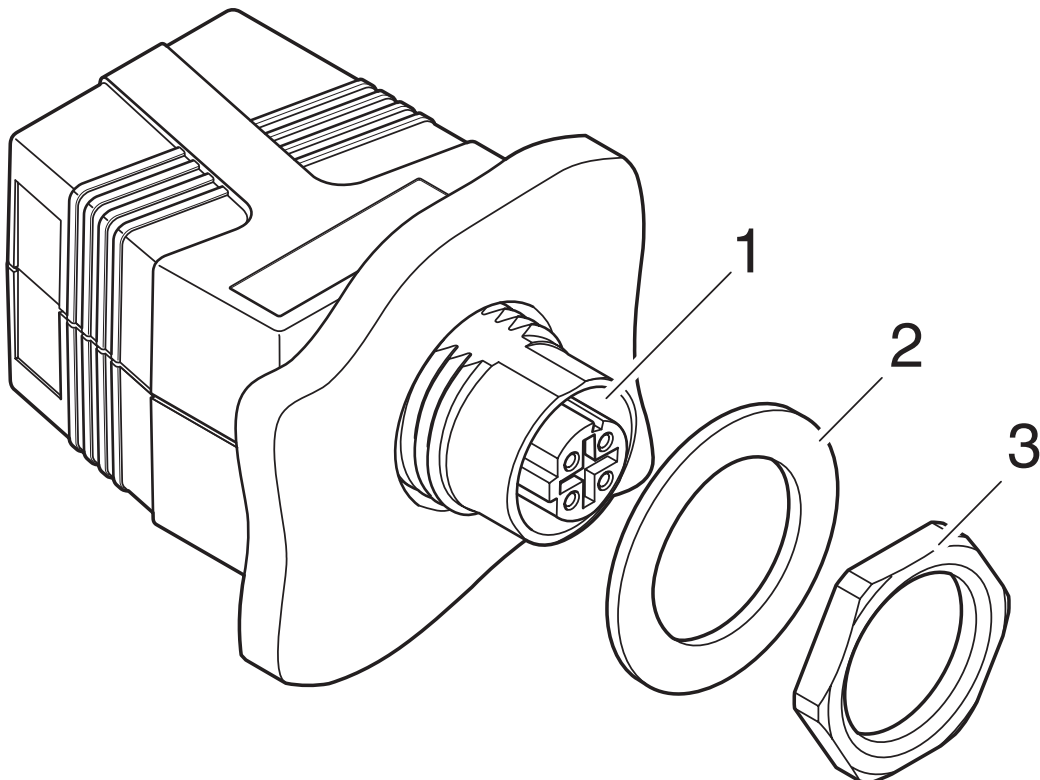
Drawings

Dimensional drawing



Mounting cutout

Exploded view



Exploded drawing

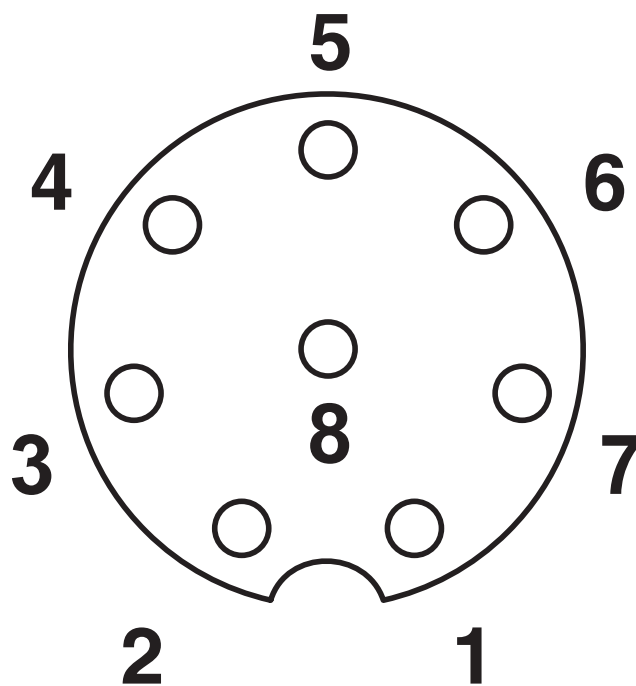
CUC-BH-M12A1PBK-S/R4BE - Control cabinet feed-through



1414396

<https://www.phoenixcontact.com/us/products/1414396>

Schematic diagram



Pin assignment of M12 female, 8-pos., A-coded, view: female side

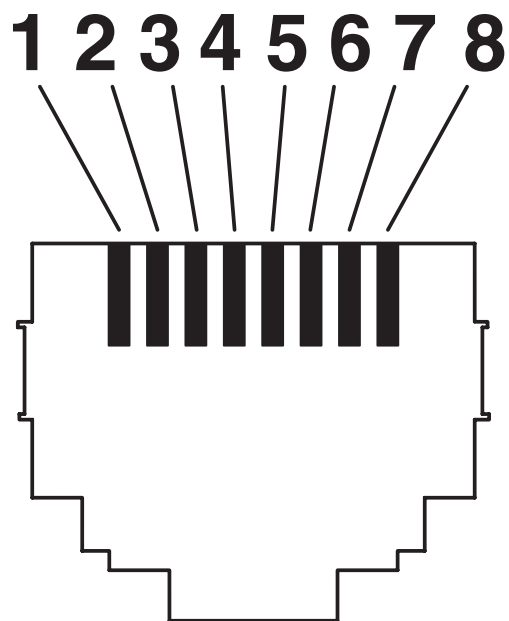
CUC-BH-M12A1PBK-S/R4BE - Control cabinet feed-through



1414396

<https://www.phoenixcontact.com/us/products/1414396>

Schematic diagram



RJ45 jack insert

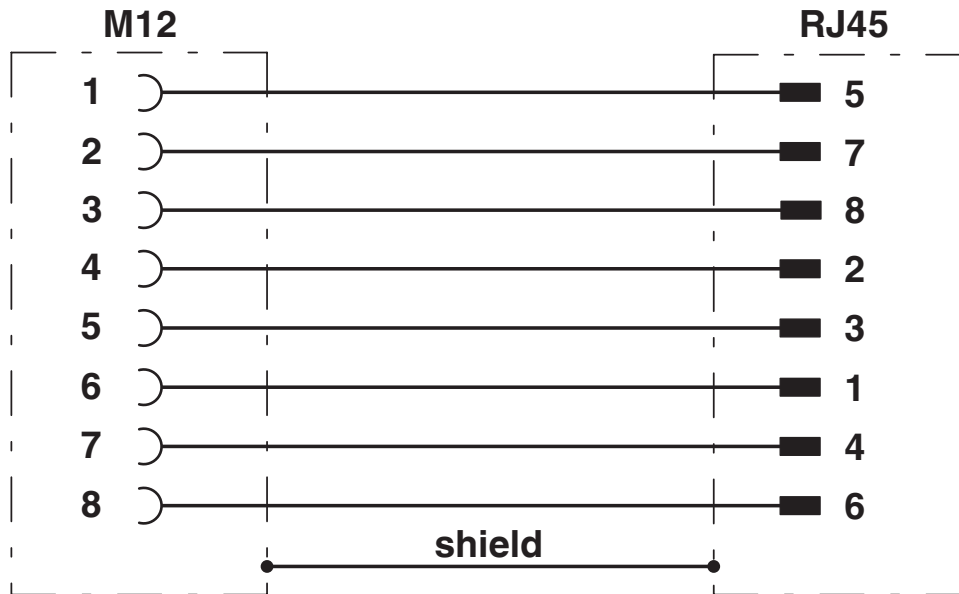
CUC-BH-M12A1PBK-S/R4BE - Control cabinet feed-through



1414396

<https://www.phoenixcontact.com/us/products/1414396>

Circuit diagram



Circuit diagram

CUC-BH-M12A1PBK-S/R4BE - Control cabinet feed-through





1414396

<https://www.phoenixcontact.com/us/products/1414396>

Approvals

To download certificates, visit the product detail page: <https://www.phoenixcontact.com/us/products/1414396>

 UL Listed Approval ID: E335024-20140306				
	Nominal voltage U_N	Nominal current I_N	Cross section AWG	Cross section mm^2
	60 V	0.5 A	-	-

 cUL Listed Approval ID: E335024-20140306				
	Nominal voltage U_N	Nominal current I_N	Cross section AWG	Cross section mm^2
	60 V	0.5 A	-	-

CUC-BH-M12A1PBK-S/R4BE - Control cabinet feed-through



1414396

<https://www.phoenixcontact.com/us/products/1414396>

Classifications

ECLASS

ECLASS-13.0

27440390

ETIM

ETIM 9.0

EC004746

UNSPSC

UNSPSC 21.0

39121400

CUC-BH-M12A1PBK-S/R4BE - Control cabinet feed-through



1414396

<https://www.phoenixcontact.com/us/products/1414396>

Environmental product compliance

EU RoHS

Fulfills EU RoHS substance requirements	Yes
Exemption	6(c)

China RoHS

Environment friendly use period (EFUP)	EFUP-50
	An article-related China RoHS declaration table can be found in the download area for the respective article under "Manufacturer declaration". For all articles with EFUP-E, no China RoHS declaration table issued and required.

EU REACH SVHC

REACH candidate substance (CAS No.)	Lead(CAS: 7439-92-1)
SCIP	c979102b-8c15-414b-b2b6-e669b6e10ee4

Phoenix Contact 2025 © - all rights reserved

<https://www.phoenixcontact.com>

Phoenix Contact USA
586 Fulling Mill Road
Middletown, PA 17057, United States
(+717) 944-1300
info@phoenixcon.com