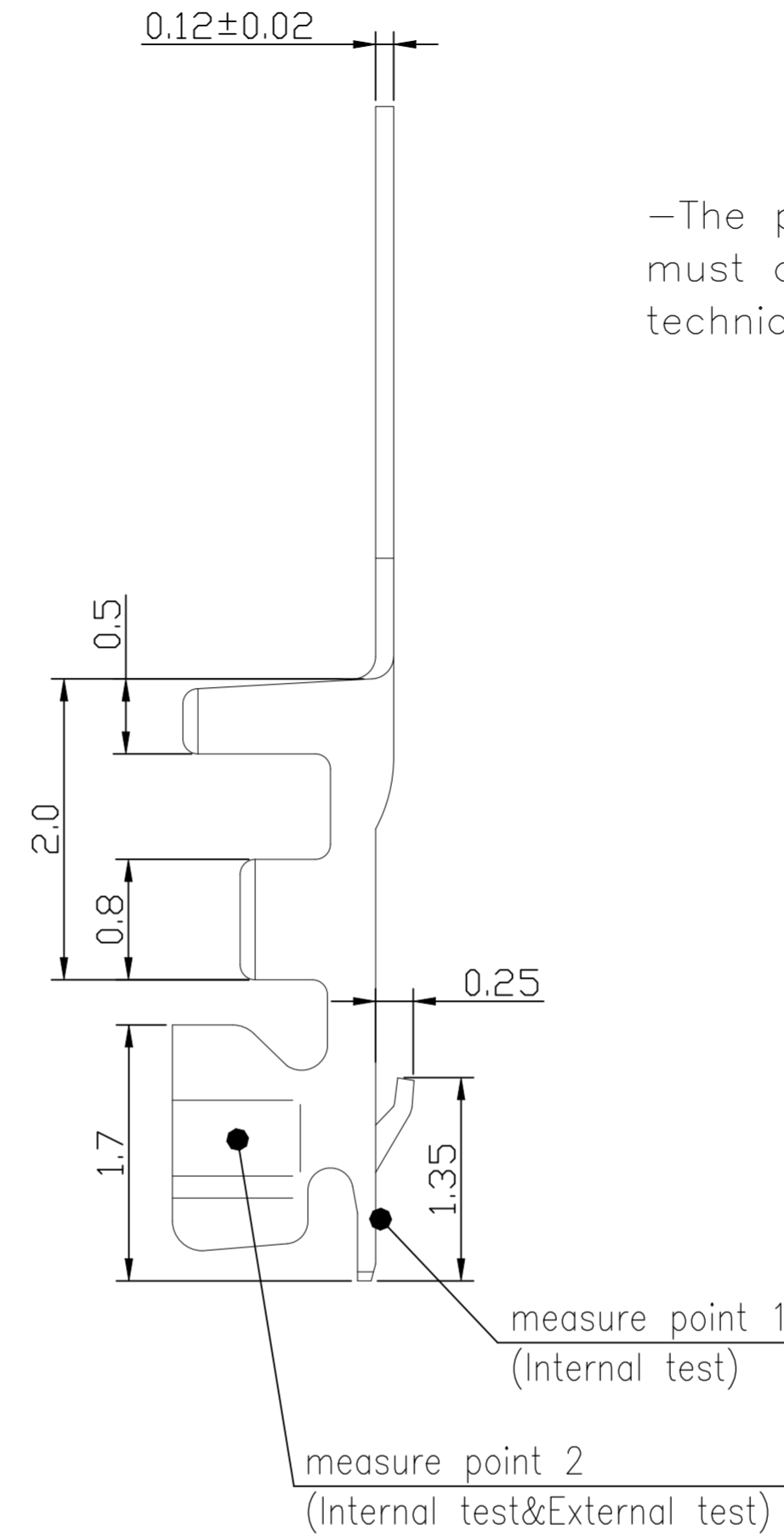
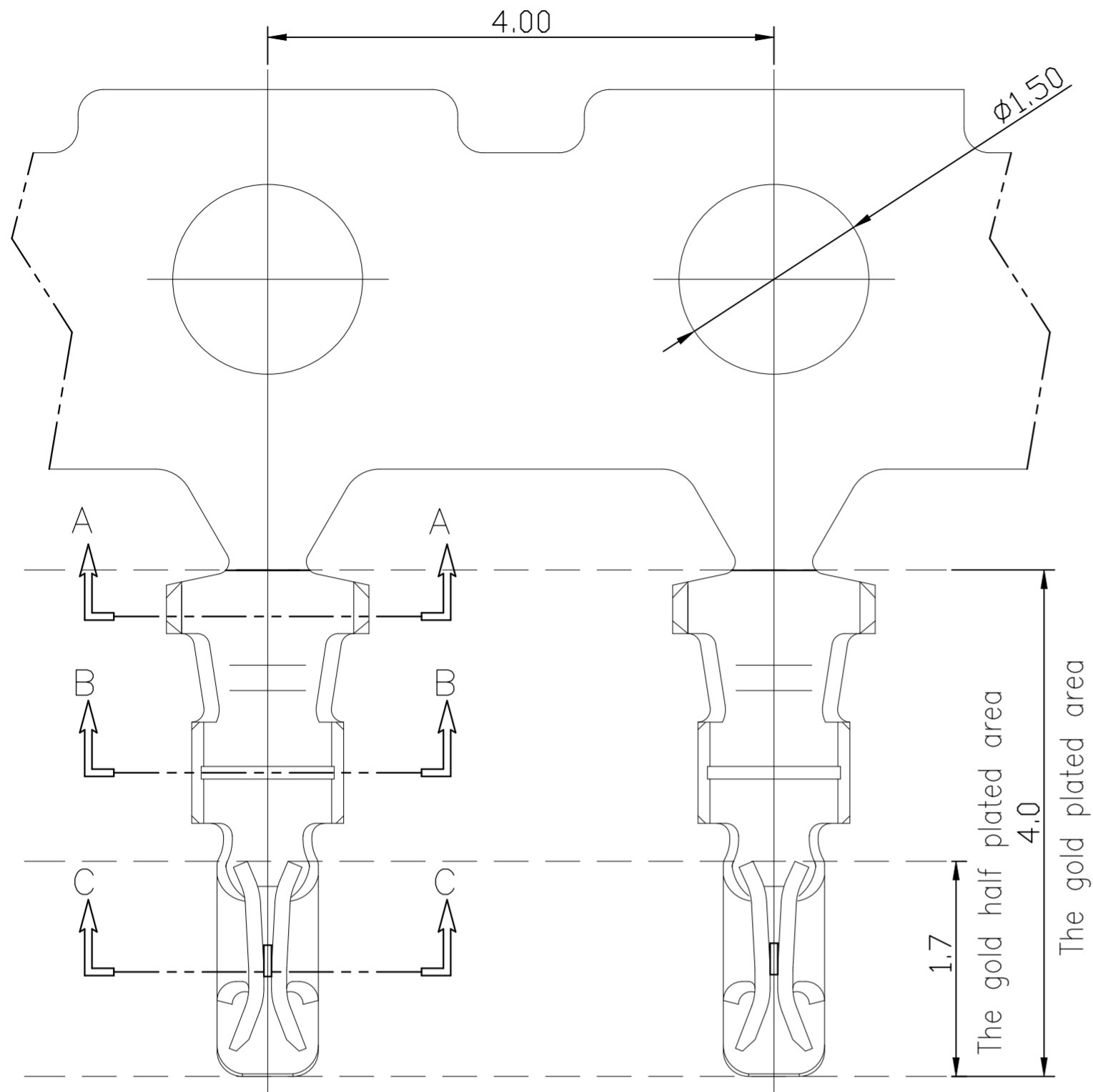
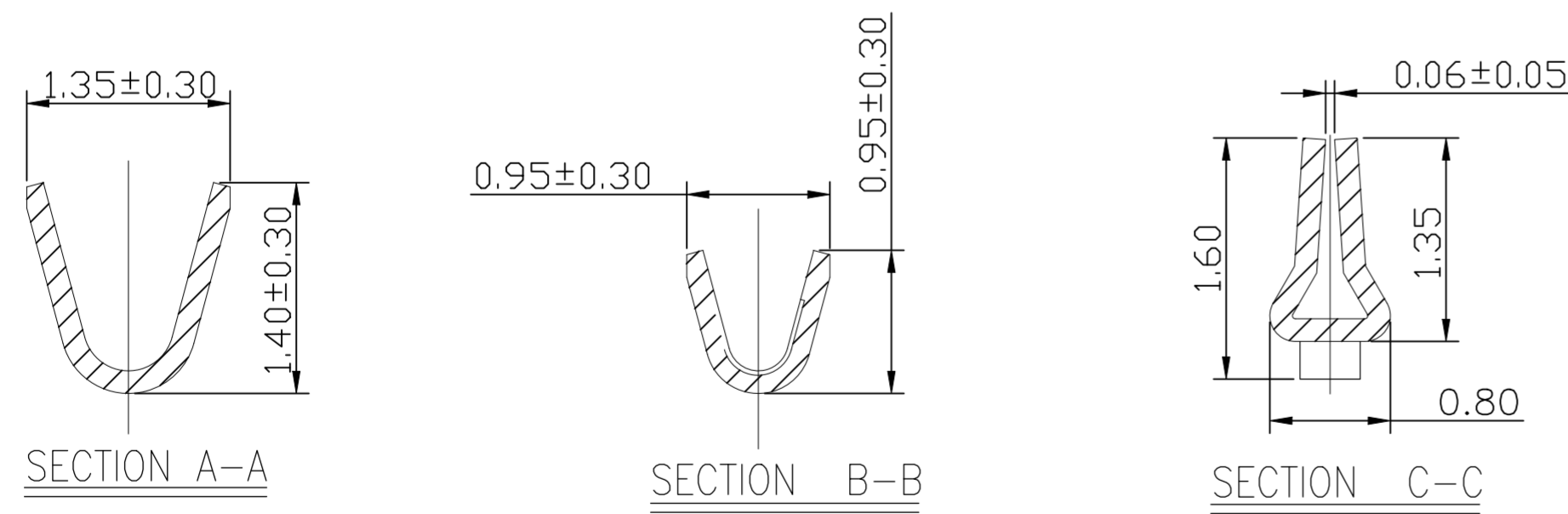


REVISIONS					
P	LTR	DESCRIPTION	DATE	DWN	APVD
A		Released to Production	06APR2026	M.S	J.M



-The product using material and processing must conform to the "WI-PZ-142"HSF technical standard control requirements

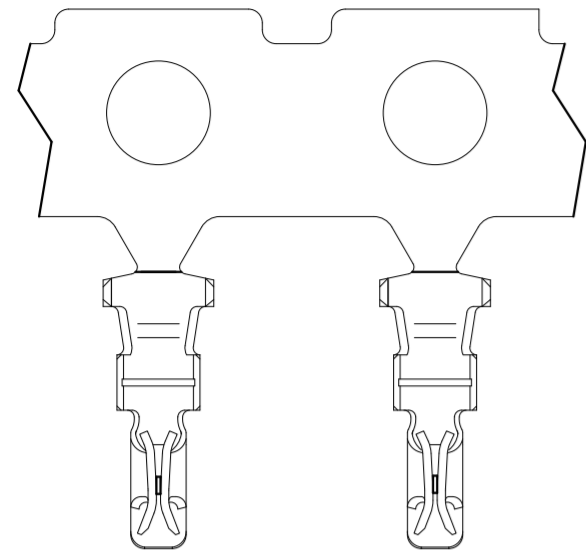


Note:
 Material: Phosphor Bronze
 Wire Range: AWG #28~#32
 Insulation O.D.:0.80mm(max)
 Qty/reel:20,000 PCS

TCPN	Plating Spec	Plating test point
2538951-4	Ni50u"Min,Matte Tin-plated:80u"Min	measure point 1
2538951-3	Ni50u"Min,Gold Flash on Overall.	measure point 2(External test)
2538951-2	Ni50u"Min,Gold Plated 15u"Min.	measure point 2(Internall test)
2538951-1	Ni50u"Min,Gold Plated 30u"Min.	measure point 2(Internall test)

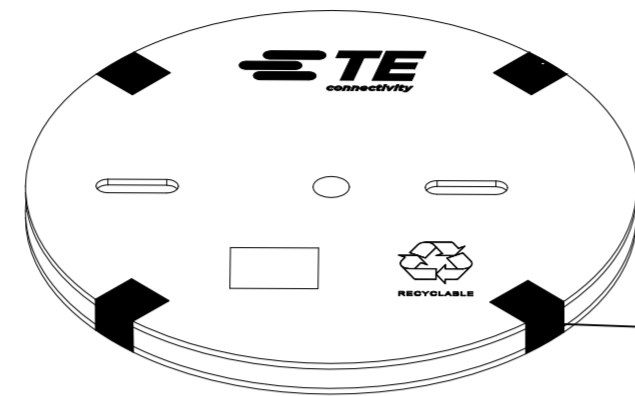
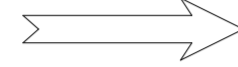
THIS DRAWING IS A CONTROLLED DOCUMENT.		DWN Madhan S 03FEB2026	TE TE Connectivity	
DIMENSIONS: mm [INCHES]		CHK Madhan S 03FEB2026		
TOLERANCES UNLESS OTHERWISE SPECIFIED:		APVD Jagruti M 03FEB2026	NAME -	
0 PLC ± -		PRODUCT SPEC 108-162481	1mm 2 Row External Locking HPI Terminal	
1 PLC ± 0.25		APPLICATION SPEC 114-161919	SIZE A2	CAGE CODE 00779
2 PLC ± 0.15		MATERIAL See Note	DRAWING NO C=2538951	RESTRICTED TO -
3 PLC ± 0.08		FINISH See Table	SCALE 1:1	SHEET 1 of 2
4 PLC ± -		WEIGHT 0	REV A	
ANGLES ± 3°		CUSTOMER DRAWING		

REVISIONS					
P	LTR	DESCRIPTION	DATE	DWN	APVD
-	-	SEE SHEET 1	-	-	-



Product

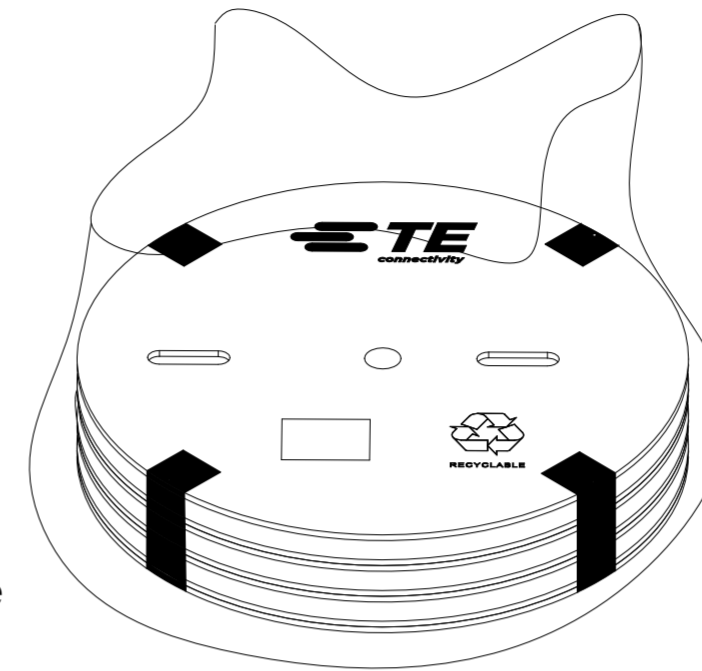
Wrap on a paper disc



Packaging tape

paper disc (Ø480mm)

1. Wrap on a paper disc
2. The paper disc is sealed with tape
3. An inner label shall be affixed to the outer package

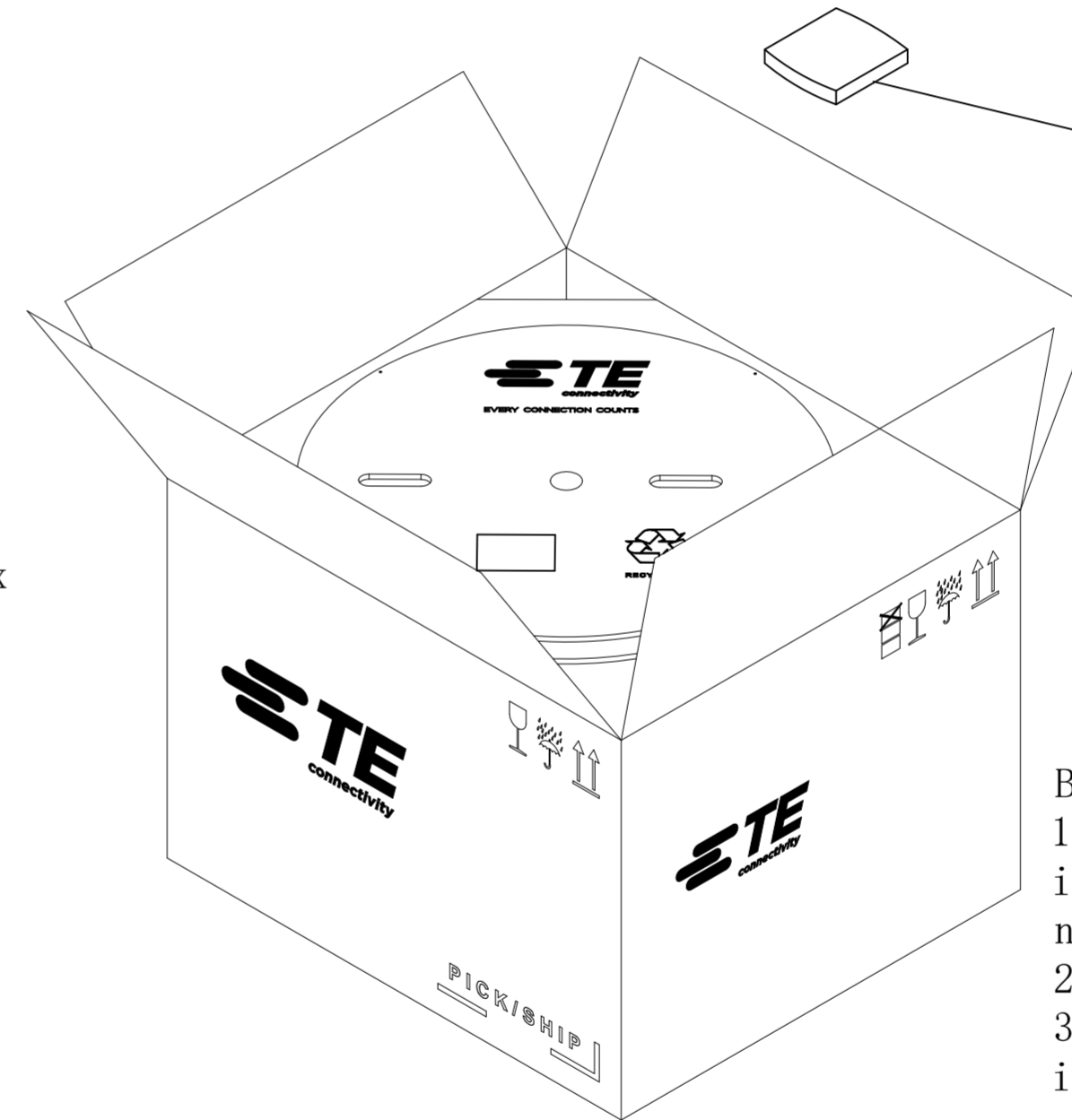
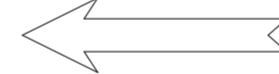


Encasement



1. Label the outer box

Seal the box



Desiccant

- Box (48.8*48.8*12cm)
1. Put the terminals of each plate into the outer box and place them neatly
 2. Put tripod around
 3. Put two packets of desiccants in each box

Qty/reel	Qty/box
20,000 PCS	80,000 PCS

THIS DRAWING IS A CONTROLLED DOCUMENT.		DWN	03FEB2026	STE TE Connectivity	
		CHK	03FEB2026		
		APVD	03FEB2026	NAME	
		Jagruti M		-	
		108-162481		PRODUCT SPEC	
		114-161919		APPLICATION SPEC	
		WEIGHT	0	SIZE	A2
		CUSTOMER DRAWING		CAGE CODE	00779
				DRAWING NO	C=2538951
				RESTRICTED TO	-
				SCALE	1:1
				SHEET	2 of 2
				REV	A