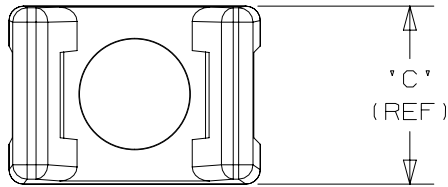
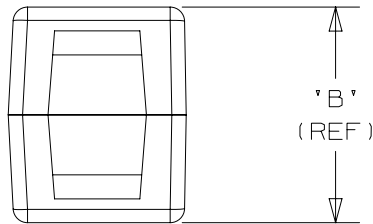
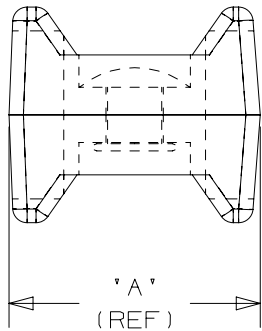


THIS COPY IS PROVIDED ON A RESTRICTED BASIS AND IS NOT TO BE USED IN ANY WAY DETRIMENTAL TO THE INTERESTS OF PANDUIT CORP.



PANDUIT PART NO.*	DIMENSIONS			USE WITH ANY OF THESE CABLE TIES	WEIGHT lbs / 100 (g) / pcs.
	'A'	'B'	'C'		
TM3-X2--	0.87 [ 22.10 ]	0.75 [ 19.05 ]	0.62 [ 15.75 ]	M, I, S, LH	0.97 [ 438.9 ]
TM1-X2--	0.52 [ 13.21 ]	0.46 [ 11.68 ]	0.32 [ 8.13 ]	M	0.17 [ 77.1 ]



NOTES:

1. SEE CURRENT PRICE SHEET FOR PART NUMBER SUFFIX DESIGNATION FOR PACKAGE SIZE AND COLOR OPTIONS.

2. CABLE TIE CROSS-SECTION CODE:

- M = MINATURE
- I = INTERMEDIATE
- S = STANDARD
- LH = LIGHT HEAVY

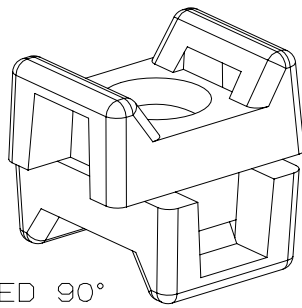
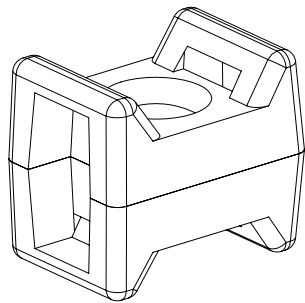


3. RIVET MATERIAL: ALUMINUM



4. MILLIMETERS ARE IN [ ].

SEE [www.panduit.com](http://www.panduit.com) FOR CURRENT PART NUMBER SUFFIX DESIGNATION, PACKAGE SIZE AND PART COLOR.



ROTATED 90°

REV	DATE	BY	CHK	APR	DESCRIPTION	ECN
7	10/26/21	BWG	MPH	JADE	REVISED NOTE 3.	113983/00
6	6/3/15	RVU	CLW	JHAC	CHANGE NOTE 3, FROM 5056-S TO 5056-H32. UPDATE FORMAT A. ADD NOTE 4. UPDATE TABLE.	GAECN02899
5	2/28/13	BWG	MPH	PBC	REMOVED MOUNT MATERIAL NOTE, ADDED STANDARD MATERIAL <a href="http://WWW.PANDUIT.COM">WWW.PANDUIT.COM</a> NOTE. CREATED NEW CADFILE.	GB2446BA

TITLE		SWIVEL TIE MOUNT - (TM_-X2-_-)	
CUSTOMER DRAWING			
ITEM REVISION NAME		10B015IN/02	
DATASET FILE NAME		10B015IN/00_DC_GB2446BA_DC r07	
UNLESS OTHERWISE SPECIFIED, DIMENSIONAL TOLERANCES ARE: IN [ mm ]			
.x ± .1 [ 2.54 ] .xxx ± .005 [ .127 ] .xx ± .01 [ .25 ] ANGLES ± 5 °			
DRAWING NUMBER:		GB2446BA	
THIRD ANGLE PROJECTION			
DRAWN BY	DATE	CHK	SCALE
JAD	11/01/00	MPH	1.5X
SHT 1 OF 1			SIZE A