

***Bluetooth*[®] low energy Module**

Bluetooth[®] 5.1 low energy

EC2820MA2

Data Sheet

By purchase of any products described in this document, the customer is deemed to understand and accept contents of this document.

The ***Bluetooth***[®] word mark and logos are owned by the ***Bluetooth*** SIG, Inc. and any use of such marks by KAGA FEI Co., Ltd. is under license.

Contents

1. Document constituent list	3
2. General Items	4
2.1. Scope	4
2.2. Description	4
3. Absolute maximum ratings	11
4. Electrical characteristics	12
4.1. Recommendation operating range	12
4.2. DC Specifications	12
4.3. RF Specifications	13
5. Circuit Schematic	14
5.1. Block Diagram	14
5.2. Reference Circuits	15
5.2.1. Normal voltage mode	15
5.2.2. High voltage mode	16
5.2.3. Other.....	17
6. Outline/Appearance	18
7. Pin Layout	19
8. Handling Precaution	21
8.1. Environment conditions for use and storage	21
8.2. Conditions for handling of products	21
9. Packaging Specification	23
9.1. Packaging Specification	23
9.2. Tape specification	24
9.3. Reel specification	25
9.4. Taping performance	26
10. Antenna application note	27
10.1. Recommended module mounting example	27
10.2. Other module mounting examples	28
10.3. Directional characteristics example (when mounted on evaluation board)	29
11. Design guide	30
11.1. Battery operation	30
11.2. Pattern Design Guide	30
11.2.1. Power Supply System.....	30
11.2.2. GND Pattern	30
Precautions	135

1.Document constituent list

Control name	Control No.	Document Page
General Items	KM-AG-A223025	1/7 - 7/7
Absolute maximum ratings	KM-AM-A223025	1/1
Electrical characteristics	KM-AE-A223025	1/2 - 2/2
Circuit schematic	KM-MC-A223025	1/4 - 4/4
Outline / Appearance	KM-AD-A223025	1/1
Pin Layout	KM-BA-A223025	1/2 - 2/2
Handling Precaution	MQ-H-001	1/2 - 2/2
Packaging Specification	KM-BB-A223025	1/4 - 4/4
Antenna application note	-	1/3 - 3/3
Design guide	-	1/1
FUNCTIONAL SPECIFICATION	-	1/23 - 23/23
Command API	-	1/80 - 80/80
Precautions	MQ-P-001	1/1

Revision History

- 08-Aug. 2023 > Ver.1.0 Release
- 02-Oct. 2023 > Ver.1.1 Update
- 22-Feb. 2024 > Ver.1.2 Update
- 24-Jun. 2024 > Ver.1.3 Update

Control No. KM-AG-A223025	(1/7)	Control name General Items
------------------------------	-------	-------------------------------

2. General Items

2.1. Scope

This specification ("Specification") applies to the hybrid IC "EC2820MA2", a **Bluetooth**[®] 5.1 low energy module ("Product") manufactured by KAGA FEI Co., Ltd. ("KAGA FEI")

2.2. Description

- a) User Code : EC2820MA2...nRF52820-QDAA-D-R
MODEL : EC2820
*User Code may be changed for mass production or other cases.
Note: Please use the Part Number(EC2820MA2) to order this product
- b) Chip : Nordic nRF52820 (256KB Flash, 32KB RAM)
- c) Function : Radio frequency transceiver Module. Bluetooth@5.1 conformity.
- d) Application : IoT devices, Health & Fitness Equipment, Sensor, Toys
- e) Structure : Hybrid IC loaded with silicon monolithic semiconductor
Regarding the containment of hazardous substance in this Product,
it conforms to RoHS Directive.
- f) Outline : 9.6 x 12.9 x 2.0 mm
47-pin Land Grid Array
- g) Marking : Part Number, Lot Number, Radio Law ID Number(Japan : MIC, USA : FCC , Canada : ISED) and manufacturer on Shielding Case
- h) Country of origin : Japan or Thailand
- i) Packaging : Packaging method: Tape & reel + aluminum moisture barrier bag
Packaging unit: 1000
* The samples may have different packing specification.

Control No. KM-AG-A223025	(2/7)	Control name General Items
------------------------------	-------	-------------------------------

j) Notes:

a. Limitation of Warranty

- 1) KAGA FEI provides warranties only if the Product is operated under the condition set forth in this Specification. Please note that KAGA FEI shall not be liable for any defect and/or malfunction arising from use of the Product under the terms and conditions other than the operating conditions hereof. In addition, when this Product is used under environmental conditions such as over voltage which is not guaranteed, it may be destroyed in short mode. To ensure the security of customer's product, please add an extra fuse or/and a protection circuit for over voltage.
- 2) This Product is designed for use in products which comply with Bluetooth® Specifications. KAGA FEI disclaims and is not responsible for any liability concerning infringement by this Product under any intellectual property right owned by third party in case the customer uses this Product in any product which does not comply with Bluetooth® Specifications (the "non-complying products"). Furthermore, KAGA FEI warrants only that this Product complies with this Specification and does not grant any other warranty including warranty for application of the non-complying products.
- 3) In some cases, KAGA FEI may use replacements as component parts of Products. Such replacement shall apply only to component part of Products, which KAGA FEI deems it possible to replace or substitute according to (i) Scope of Warranty provided in this specification (e.g. Electric Characteristics, Outline, dimension, Conditions of Use, Reliability Tests, Official Standard (Type Approvals etc.)) and (ii) Quality of Products. KAGA FEI also ensures traceability of such replacement on production lot basis.

b. Instruction for Use (CAUTION)

- 1) This Product is not designed to be radiation-resistant. Please do not expose Product to radiation.
- 2) Communication between this Product and other might not be established nor maintained depending upon radio environment or operating condition of this Product and other products with wireless technology.
- 3) This Product operates in the unlicensed ISM band at 2.4GHz. In case this Product is used around the other wireless devices which operate in same frequency band of this Product, there is a possibility that interference occurs between this Product and such other devices. If such interference occurs, please stop the operation of other devices or relocate this Product before using this Product or do not use this Product around the other wireless devices.
- 4) This Product mentioned in this Specification is manufactured for use in Health & Fitness Equipment, Sensor, Toys. Before using this Product in any special equipment (such as medical equipment, space equipment, aircraft, disaster prevention equipment), where higher safety and reliability are duly required, the applicability and suitability of this Product must be fully evaluated by the customer at its sole risk to ensure correct and safety operation of those special equipments. Also, evaluation of the safety function of this Product even for use in general electronics equipment shall be thoroughly made and when necessary, a protective circuit shall be added in design stage, all at the customer's sole risk.

Control No. KM-AG-A223025	(3/7)	Control name General Items
------------------------------	-------	-------------------------------

5) Japan Regulatory Information

This module is approved with the specific antenna on this module. Please ensure that your product can also bear a label with the following information. If the product is so small that it is not practicable to place the label, you can also place it in the instruction manual and package. The mark diameter shall be easily legible without using a device such as light microscopes.



It is recommended to include the following sentence in the user manual of your product:
This product installs a radio system which has been approved as a radio station in a low power data communication system based on the Radio Law.
EC2820: 005-103119

6) Canada Regulatory Information

- a) This device complies with Innovation, Science and Economic Development Canada's applicable license-exempt RSSs. Operation is subject to the following two conditions:
- (1) this device may not cause interference, and
 - (2) this device must accept any interference, including interference that may cause undesired operation of the device.

Le présent appareil est conforme aux CNR d'Innovation, Sciences et Développement économique Canada applicables aux appareils radio exempts de licence. L'exploitation est autorisée aux deux conditions suivantes:

- 1) l'appareil ne doit pas produire de brouillage;
- 2) l'utilisateur de l'appareil doit accepter tout brouillage radioélectrique subi, même si le brouillage est susceptible d'en compromettre le fonctionnement.

- b) This product is certified as type of the portable device with Innovation, Science and Economic Development Canada Rules. To maintain compliance with RF Exposure requirement, please use within specification of this product and have a separation distance of minimum 15 mm between the user and/or bystander and the antenna and /or radiating element. This distance ensures that the output power (e.i.r.p.) of EC2820 is below the SAR evaluation Exemption limits defined in RSS-102 issue 5.

Ce produit est certifié comme type de l'appareil portable avec Innovation, Sciences et Développement économique Canada Règles. Pour maintenir l'acquiescement avec exigence Exposition de RF, veuillez utiliser dans spécification de ce produit et respecter une distance de séparation d'au moins 15 mm entre l'utilisateur et / ou un tiers et l'antenne et / ou l'élément rayonnant. Cette distance garantit que la puissance de sortie (p.i.r.e.) d EC2820 est inférieure aux limites d'exemption de l'évaluation SAR définies dans le numéro 5 de la norme RSS-102.

- c) Please notify certified ID by either one of the following methods on your product.
Spécifiez ID certifiée dans votre produit par une de méthode suivante.
-Contains Transmitter module IC: 28568-EC2820
-Contains IC: 28568-EC2820
- d) Please indicate your product name at any location on the exterior of the host product or product packaging or product literature, which shall be available with the host product or online.

Control No. KM-AG-A223025	(4/7)	Control name General Items
------------------------------	-------	-------------------------------

- e) Please include the following statements in rectangle on the user manual of the host device of this module;

This device complies with Innovation, Science and Economic Development Canada license-exempt RSS standards. Operation is subject to the following two conditions:

- (1) This device may not cause interference.
- (2) This device must accept any interference, including interference that may cause undesired operation of the device.

Le présent appareil est conforme aux CNR Innovation, Sciences et Développement économique Canada applicables aux appareils radio exempts de licence. L'exploitation est autorisée aux deux conditions suivantes :

- 1) l'appareil ne doit pas produire de brouillage;
- 2) l'utilisateur de l'appareil doit accepter tout brouillage radioélectrique subi, même si le brouillage est susceptible d'en compromettre le fonctionnement.

7) FCC Regulatory Information

- a) This device complies with part 15 of the FCC Rules. Operation is subject to the following two conditions:
- (1) This device may not cause harmful interference, and
 - (2) this device must accept any interference received, including interference that may cause undesired operation.
- b) Please notify certified ID by either one of the following methods on your product.
- Contains Transmitter Module FCC ID: 2A6NFEC2820
 - Contains FCC ID: 2A6NFEC2820
- c) CAUTION: Changes or modifications not expressly approved by the party responsible for compliance could void the user's authority to operate the equipment.
- d) This product is certified as type of the portable device with FCC Rules. To maintain compliance with RF Exposure requirement, please use within specification of this product.
- e) The antenna used for this transmitter must not be co-located or operating in conjunction with any other antenna or transmitter.
- f) This module can change the output power depending on the circumstances by the application software which is developed by module installer. Any end user cannot change the output power.
- g) This device complies with part 15 of the FCC Rules.
- Part 15 Subpart C
- h) The modular transmitter is only FCC authorized for the specific rule parts (Part 15 Subpart C) listed on the grant, and the host product manufacturer is responsible for compliance to any other FCC rules that apply to the host not covered by the modular transmitter grant of certification. The final host product still requires Part 15 Subpart B compliance testing with the modular transmitter installed.

Control No. KM-AG-A223025	(5/7)	Control name General Items
------------------------------	-------	-------------------------------

- i) Co-location of this module with other transmitters that operate simultaneously are required to be evaluated using the FCC multi transmitter procedures. When installing this module to your final devices, please make sure to carry out all the necessary evaluations according to the applicable guidelines like follows:
 - for RF exposure: KDB 447498, KDB 996369 and any other relevant guidelines
 - for EMC: KDB 996369 D04 and any other relevant guidelines

- j) When you install this module to your final devices, please ensure that your final composite product complies with the applicable FCC rules in reference to a guidance in KDB 996369.

- k) **Antenna List**
 This module is approved along with the following antenna.
 You cannot use any antennas other than the listed one because it deviates from the accredited conditions.

Manufacturer	KAGA FEI
Part No.	N/A (Printed on PCB) Dimensions 9.0mm x 2.7mm
Antenna Type	Monopole
Maximum Antenna Gain	-2.6dBi

- l) Please include the following statements in rectangle on the user manual of the host device of this module;

This device complies with part 15 of the FCC Rules. Operation is subject to the following two conditions:
 (1) This device may not cause harmful interference, and
 (2) this device must accept any interference received, including interference that may cause undesired operation.

FCC CAUTION: Changes or modifications not expressly approved by the party responsible for compliance could void the user's authority to operate the equipment.

The antenna used for this transmitter must not be co-located or operating in conjunction with any other antenna or transmitter.

This product is certified as type of the portable device with FCC Rules. To maintain compliance with RF Exposure requirement, please use within specification of this product.

- 8) **CE Regulatory Information**
 - a) When your end product installs this module, it is required to proceed additional certification processes before placing on the market in EU member states to make your products fully comply with relative EU standards.
 - b) KAGA FEI can provide you the test reports of conducted measurement portion for the radio module. You can utilize the test reports for the certification processes of your end product as it requires radio testing.

Control No. KM-AG-A223025	(6/7)	Control name General Items
------------------------------	-------	-------------------------------

c. Term of Support

- 1) In the case that customer requests KAGA FEI to customize the hardware of this Product in order to meet such customer's specific needs, KAGA FEI will make commercially reasonable effort to modify such hardware or software at customer's expense; provide however, the customer is kindly requested to agree it doesn't mean that KAGA FEI has obligations to do so even in the case it is technically difficult for KAGA FEI.
- 2) Any failure arising out of this Product will be examined by KAGA FEI regardless of before or after mass production. Customer agrees that once such failure is turned out not to be responsible for KAGA FEI after aforesaid examination, some of the technical support shall be conducted by KAGA FEI at customer's expense; provided however, exact cost of this technical support can be agreed through the negotiation by the parties.
- 3) Do not alter hardware and/or software of this Product. Please note that KAGA FEI shall not be liable for any problem if it is caused by customer's alteration of Hardware without KAGA FEI's prior approvals.
- 4) KAGA FEI does not guarantee functions and performances which depend on the customer's firmware. KAGA FEI does not assume liabilities for defects and failures (i) in functions, performances and quality of the Customer's product incorporating the Products and (ii) which may occur as the Product is incorporated in the Customer's product.

d. Caution for Export Control

This Product may be subject to governmental approvals, consents, licenses, authorizations, declarations, filings, and registrations for export or re-export of the Product, required by Japanese Foreign Exchange and Foreign Trade Law (including related laws and regulations) and/or any other country's applicable laws or regulations related to export control.

In case you will export or re-export this Product, you are strongly recommended to check and confirm, before exporting or re-exporting, necessary procedures for export or re-export of this Product which is required by applicable laws and regulations, and if necessary, you have to obtain necessary and appropriate approvals or licenses from governmental authority at your own risk and expense.

e. Term of Warranty

KAGA FEI warrants only that this Product is in conformity with this Specification for one year after purchase and shall in no event give any other warranty.

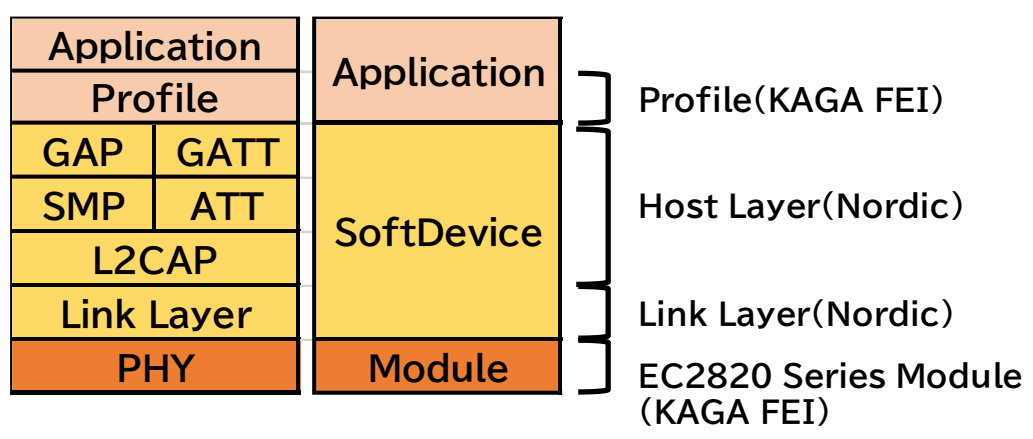
f. Items of the Specification

- 1) Any question arising from the Specification shall be solved in good faith through mutual discussion by the parties hereof.
- 2) The language of this "General items" is Japanese and this "General items" shall be interpreted by Japanese. Any copies of translation is a reference purpose only and is not binding on both parties hereto.

Control No. KM-AG-A223025	(7/7)	Control name General Items
------------------------------	-------	-------------------------------

g. Special note

- 1) The latest errata and document released by Nordic Semiconductor ASA must be referred the document is given priority over this document. Please note that KAGA FEI shall not be liable for any problem and related issue for developed or manufactured application software or product without reference or consideration of the information released by Nordic Semiconductor ASA.
- 2) This module is the embedded software module including Softdevice. This module is qualified as PHY only with Component category by Bluetooth SIG. The QDID of this module is 173809. Softdevice has the QDID 138612 certified by Nordic. The final product needs to get qualification as End product before selling the product. Please refer to following combination and consult with your qualification body and BQC.



The use of Embedded Software

Before using this product.

Please kindly read carefully and understand the following before using the Products.

1. KAGA FEI Co., Ltd. (hereinafter “KFEI”), lawfully has copyrights and other rights to the software embedded to the memory of the Products (the “Embedded Software”). Except as otherwise expressly provided herein, your company is not permitted to disclose or offer the Embedded Software, either wholly or partly, to any third party (including uploading to your company or third party (ies)’s web sites and downloading by third parties from such sites), nor to copy, revise, reverse engineer, upgrade, make specification change, or alienate the Embedded Software.
2. Before using the Products, you need to check and confirm sufficient safety and operation of your products which incorporate the Products and interoperability and compatibility with other Bluetooth® enabled products.
3. KFEI have not evaluated and confirmed the interoperability, compatibility, etc. of the Products (including Embedded Software) with every kind of Bluetooth® enabled product. In addition, KFEI does not guarantee interoperability and compatibility of the Product with certain devices. In order to minimize the damage or harm arising out of the Potential Failure or out of combination with other devices, KFEI recommend your company set up interface or external pin (for detail, please refer to Specification “ Pin Layout ” of this document) for rewriting the Embedded Software.

Control No. KM-AM-A223025	(1/1)	Control name Absolute maximum ratings
------------------------------	-------	--

3. Absolute maximum ratings

Symbol	Parameter	Min.	Max.	Units
VDD		-0.3	+3.9	V
VDDH		-0.3	+5.8	V
GND			0	V
VIO, VDD≤3.6V		-0.3	VDD+ 0.3	V
VIO, VDD>3.6V		-0.3	+3.9	V
Storage temperature		-40	+105	Deg-C
MSL	Moisture Sensitivity Level	3		
ESD HBM	Human Body Model		1	kV
ESD MM	Machine Model		100	V
Endurance	Flash Memory Endurance	10000		write/erase cycles
Retention at 85 Deg-C	Flash Memory Retention	10		years
Retention at 105 Deg-C	Flash Memory Retention Limited to 1000 write/erase cycles	3		years

Control No. KM-AE-A223025	(1/2)	Control name Electrical characteristics
------------------------------	-------	--

4. Electrical characteristics

4.1. Recommendation operating range

Symbol	Parameter	Min.	Typ.	Max.	Units
VDD	Normal voltage mode operating voltage	1.7	3.0	3.6	V
VDDH	High voltage mode operating voltage	2.5	3.7	5.5	V
VDD,POR	VDD supply voltage needed during power-on reset.	1.75			V
tR_VDD	Supply rise time (0V to 1.7V)*1			60	ms
tR_VDDH	Supply rise time (0V to 3.7V)*1			100	ms
TA	Operation temperature	-40	25	85	Deg-C
TAEXT	Extended operating temperature	85		105	Deg-C

*1 The on-chip power-on reset circuitry may not function properly for rise times longer than the specified maximum. Also after power off, it must start up from below 0.3V. The on-chip power-on reset circuitry may not function properly.

4.2. DC Specifications

The Specification applies for Topr.= 25 degrees C, VDD and VDDH = 3.0V

Symbol	Parameter (condition)	Min.	Typ.	Max.	Units
VIH	Input high voltage	0.7 x VDD		VDD	V
VIL	Input low voltage	GND		0.3 x VDD	V
VOH	Output high voltage (high drive 5 mA), VDD≥2.7 V	VDD-0.4		VDD	V
VOL	Output low voltage (high drive 5 mA), VDD≥2.7 V	GND		GND+0.4	V
RPU	Pull-up resistance	11	13	16	kohm
RPD	Pull-down resistance	11	13	16	kohm
ITX,PLUS8d BM,DCDC	TX only run current (DCDC, 3V) PRF=+8 dBm		14.0		mA
ITX,PLUS8d BM	TX only run current PRF=+8 dBm		30.0		mA
IRX,1M, DCDC	RX only run current (DCDC, 3V) 1Mbps Bluetooth low energy		4.7		mA
IRX,1M	RX only run current 1Mbps Bluetooth low energy		9.8		mA
IRX,2M, DCDC	RX only run current (DCDC, 3V) 2Mbps Bluetooth low energy		5.2		mA
IRX,2M	RX only run current 2Mbps Bluetooth low energy		10.9		mA
RSTR	RESET High to Module Ready		1.1	2.2	sec

Control No. KM-AE-A223025	(2/2)	Control name Electrical characteristics
------------------------------	-------	--

4.3.RF Specifications

Symbol	Description	Min.	Typ.	Max.	Units
fOP	Operating frequencies	2402		2480	MHz
PLL,CH,SP	PLL channel spacing		1		MHz
fDELTA,BLE,1M	Frequency deviation @ Bluetooth low energy 1Mbps		+/-250		kHz
fDELTA,BLE,2M	Frequency deviation @ Bluetooth low energy 2Mbps		+/-500		kHz
PRF	Maximum output power		8		dBm
PRFC	RF power control range		28		dB
PRFCR	RF power accuracy			+/-4	dB
PRF1.1	1st Adjacent Channel Transmit Power 1 MHz (1 Mbps)		-25		dBc
PRF2.1	2nd Adjacent Channel Transmit Power 2 MHz (1 Mbps)		-54		dBc
PRX,MAX	Maximum received signal strength at < 0.1% PER		0		dBm
PSSENS,IT,SP,1M,BLE	Sensitivity 1Mbps Bluetooth low energy Ideal transmitter, packet length<=37bytes (0.1% BER)		-95		dBm
PSSENS,IT,SP,2M,BLE	Sensitivity 2Mbps Bluetooth low energy Ideal transmitter, Packet length<=37bytes		-92		dBm

Many documents of nRF52820, such as product specification and the errata, can be found at the link below (There is a possibility that it will change in the future). Please be sure to check these latest documents when using our module.

nRF52820 Product Specification

https://infocenter.nordicsemi.com/topic/ps_nrf52820/keyfeatures_html5.html

nRF52820 Errata

https://infocenter.nordicsemi.com/topic/struct_nrf52/struct/nrf52820_errata.html

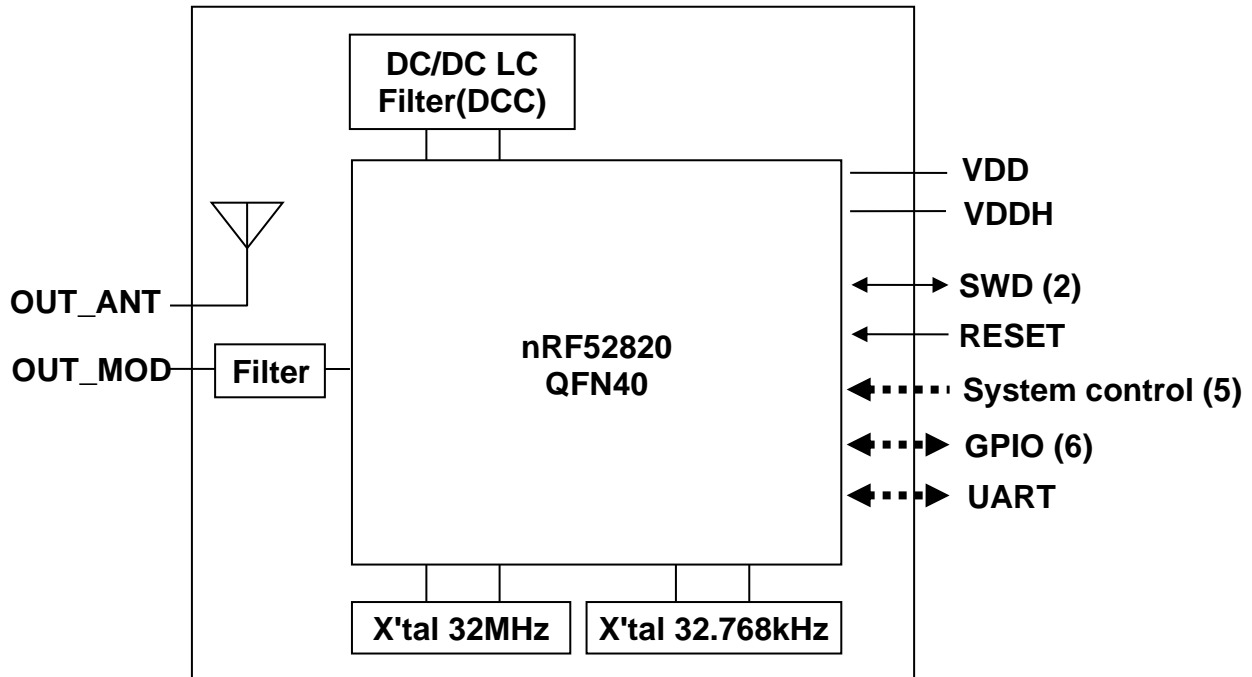
For more information

<https://infocenter.nordicsemi.com/index.jsp>

Control No. KM-MC-A223025	(1/4)	Control name Circuit Schematic
------------------------------	-------	-----------------------------------

5.Circuit Schematic

5.1.Block Diagram

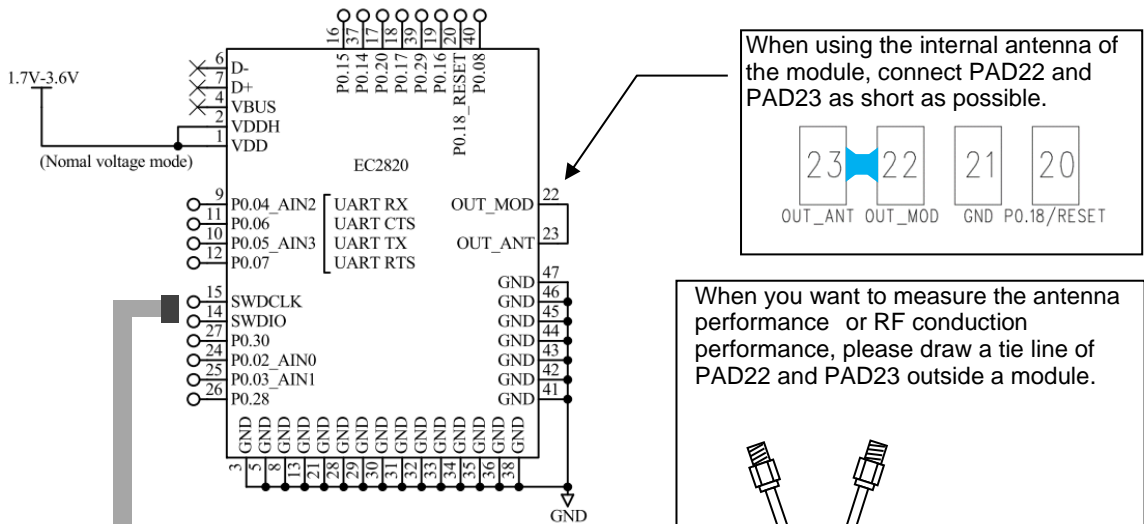


Control No. KM-MC-A223025	(2/4)	Control name Circuit Schematic
------------------------------	-------	-----------------------------------

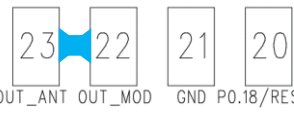
5.2.Reference Circuits

5.2.1.Normal voltage mode

Normal voltage mode is entered when the supply voltage is connected to both the VDD and VDDH pins (so that VDD equals VDDH).

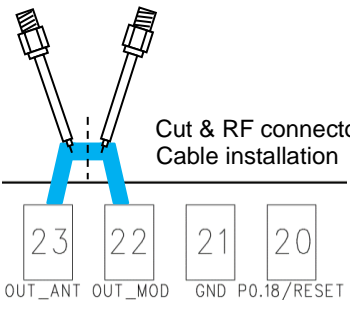


When using the internal antenna of the module, connect PAD22 and PAD23 as short as possible.



OUT_ANT OUT_MOD GND P0.18/RESET

When you want to measure the antenna performance or RF conduction performance, please draw a tie line of PAD22 and PAD23 outside a module.



Cut & RF connector Cable installation

OUT_ANT OUT_MOD GND P0.18/RESET

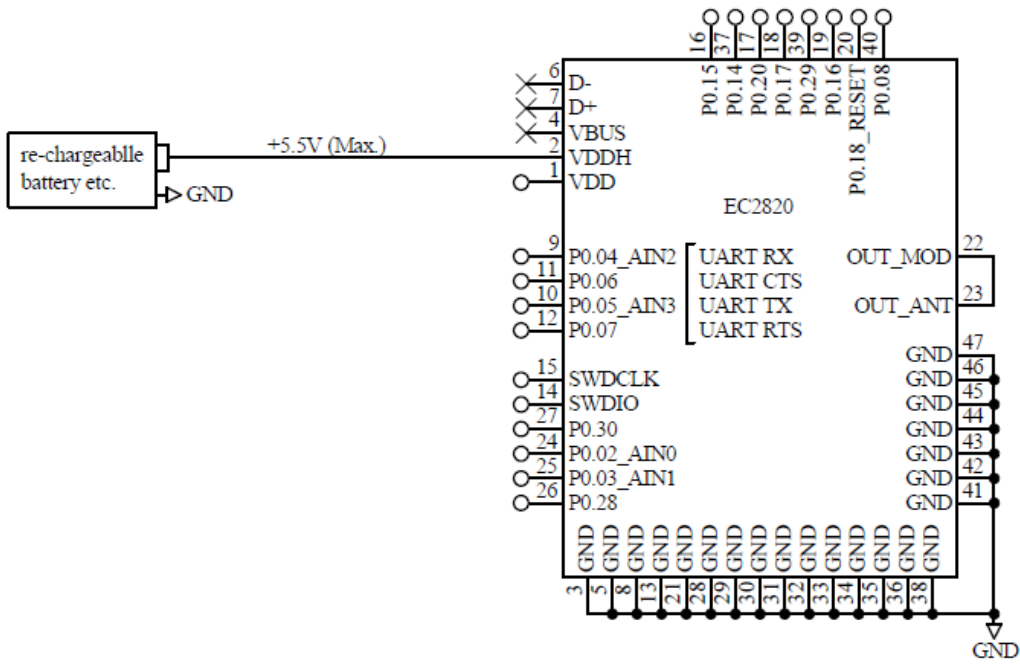
The bypass capacitor necessary for the power supply line is installed inside the module. So you do not need to add external capacitors. However, in case of the operation with the battery, we recommend that you add a bypass capacitor about 100uF in view of the voltage drop during TX/RX. Please consider whether it is necessary according to the performance of the customer's battery.

SWD (Serial Wire Debug) is a high performance 2-pin debug port that replaces JTAG. You can debug and program with J-link Lite. When using J-LINK Lite, it is convenient to mount a socket on the customer's main board. The socket will be "10-pin connector two rows of 1.27mm pitch (Ex: PSS-720153-05, Hirose instrument). J-Link Lite operates at 3.3 V. do not operate at 1.8 V, so please be careful. The SWDIO line has a 13kΩ internal pull-up resistor. The SWDCLK line has a 13kΩ internal pull-down resistor.

Control No. KM-MC-A223025	(3/4)	Control name Circuit Schematic
------------------------------	-------	-----------------------------------

5.2.2.High voltage mode

This module supports supply voltage up to 5.5V, such as lithium-ion battery. High voltage mode is entered when the supply voltage is only connected to the VDDH pin and the VDD pin is not connected to any voltage supply.



Control No. KM-MC-A223025	(4/4)	Control name Circuit Schematic
------------------------------	-------	-----------------------------------

5.2.3.Other

Although unused pins can be made OPEN, it should not draw out the signal line from the pins is recommended.

The GPIO high reference voltage always equals the level on the VDD pin. Please use GPIO voltage under the following conditions. In Normal voltage mode, the GPIO voltage is equal to the voltage supplied to the VDD pin, and in High voltage mode, the GPIO voltage is + 3.3V when + 3.6V or higher is supplied to the VDDH pin.

GPIO high (V): $0.7 \times VDD$ to VDD
GPIO low (V): GND to $0.3 \times VDD$

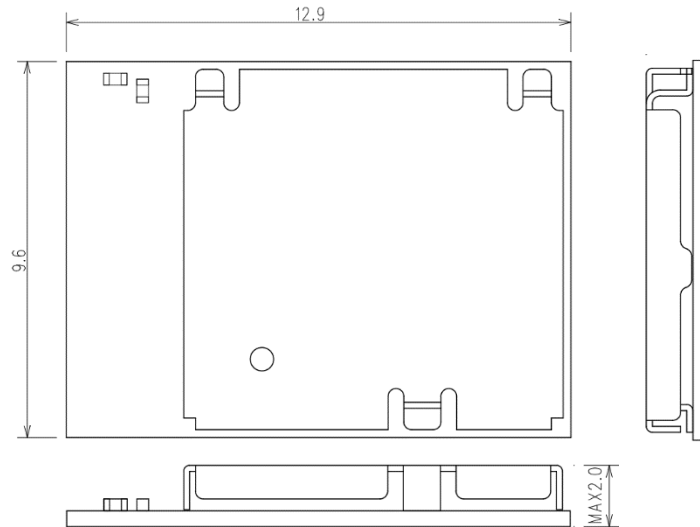
In High voltage mode, when +3.6V or higher is supplied to VDDH pin, +3.3V is output from nRF52820 internal regulator, but VDD pin cannot supply power to the external circuit.

Control No. KM-AD-A223025	(1/1)	Control name Outline/Appearance
------------------------------	-------	------------------------------------

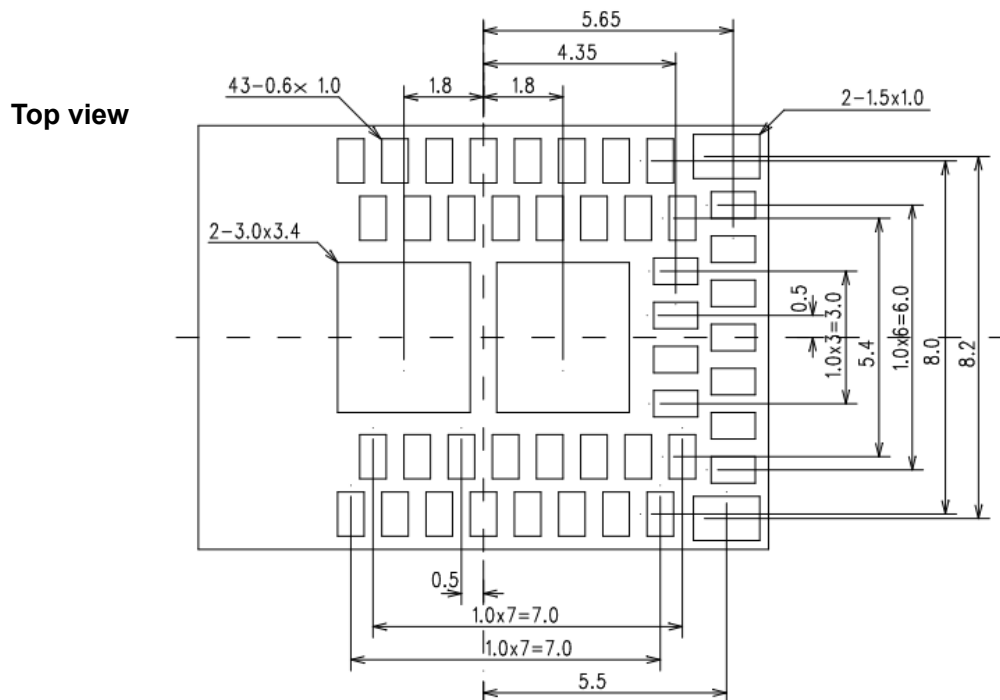
6.Outline/Appearance

Outline / Land pattern example

Tolerance: +/- 0.2mm
Unit : (mm)



Pad size and recommended **Land size** are the same.



Recommended metal mask opening size for solder printing

Pad size	Metal mask opening size
Signal pad 43 – 0.6 x 1.0 mm	0.5 x 0.9 mm
Corner pad 2 – 1.5 x 1.0 mm	1.0 x 0.7 mm
Center pad 2 – 3.0 x 3.4 mm	2.6 x 3.0 mm

The mask opening should be located in the center of the land.

The metal mask thickness: $t=0.1\text{mm}$. If the metal mask thickness is different, change the mask opening size to adjust the amount of solder.

Control No.
KM-BA-A223025

(1/2)

Control name
Pin Layout

7.Pin Layout

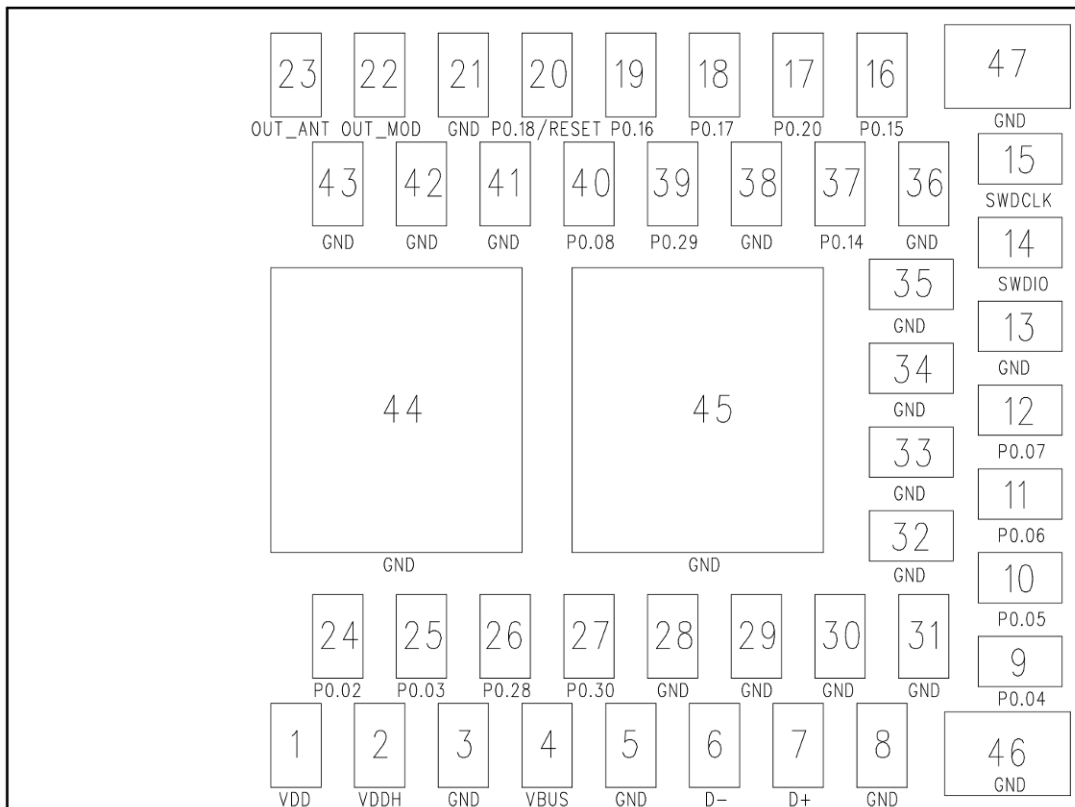
Pin Descriptions

Pin	Pin name	Pin function	Description
1	VDD	Power	Power supply
2	VDDH	Power	High voltage power supply
3	GND	Ground	Ground
4	VBUS	Not Connected	Reserved for future use
5	GND	Ground	Ground
6	D-	Not Connected	Reserved for future use
7	D+	Not Connected	Reserved for future use
8	GND	Ground	Ground
9	P0.04_AIN2	UART RX	Data input
10	P0.05_AIN3	UART TX	Data output
11	P0.06	UART CTS	Clear to send input signal
12	P0.07	UART RTS	Ready to send output signal
13	GND	Ground	Ground
14	SWDIO	Debug	Serial wire debug I/O for debug and programming
15	SWDCLK	Debug	Serial wire debug clock input for debug and programming
16	P0.15	Factory reset	If held low on reset, application settings stored in non-volatile memory are erased. Application will revert to default settings.
17	P0.20	User GPIO 4	General purpose I/O
18	P0.17	User GPIO 3	General purpose I/O
19	P0.16	User GPIO 2	General purpose I/O
20	P0.18_RESET	Reset	The device will be held in RESET while this pin is held low.
21	GND	Ground	Ground
22	OUT_MOD	RF In/Out	RF I/O pin. It should be connected to Pin 23 OUT_ANT for normal operation.
23	OUT_ANT	Antenna In/Out	Internal antenna. It should be connected to Pin 22 OUT_MOD for normal operation.
24	P0.02_AIN0	Power Save	Set the Pin to the Low state (at least 0.5 seconds or longer) to enter Power Save Mode.
25	P0.03_AIN1	Deep Sleep	If a startup / communication disconnection occurs while the Pin is in the Low state, it enters Deep Sleep Mode.

Control No. KM-BA-A223025	(2/2)	Control name Pin Layout
------------------------------	-------	----------------------------

Pin	Pin name	Pin function	Description
26	P0.28	BLE Mode Select	Enabled when notify characteristic notifications are enabled.
27	P0.30	User GPIO 6	General purpose I/O
28 - 36	GND	Ground	Ground
37	P0.14	DFU mode	When held low on reset, device will enter DFU mode until reset.
38	GND	Ground	Ground
39	P0.29	User GPIO 5	General purpose I/O
40	P0.08	User GPIO 1	General purpose I/O
41 - 43	GND	Ground	Ground
44	GND	Ground	Ground Center pad
45	GND	Ground	Ground Center pad
46	GND	Ground	Ground Corner pad
47	GND	Ground	Ground Corner pad

Top view



Control No. MQ-H-001	(1/2)	Control name Handling Precaution
-------------------------	-------	-------------------------------------

8. Handling Precaution

This specification describes desire and conditions especially for mounting.

Desire/Conditions

8.1. Environment conditions for use and storage

1. Store the components in an environment of < **40deg-C/90%RH** if they are in a moisture barrier bag packed by KAGA FEI.
2. Keep the factory ambient conditions at < **30deg-C/60%RH**.
3. Store the components in an environment of < **25±5deg-C/10%RH** after the bag is opened. (The condition is also applied to a stay in the manufacture process).

8.2. Conditions for handling of products

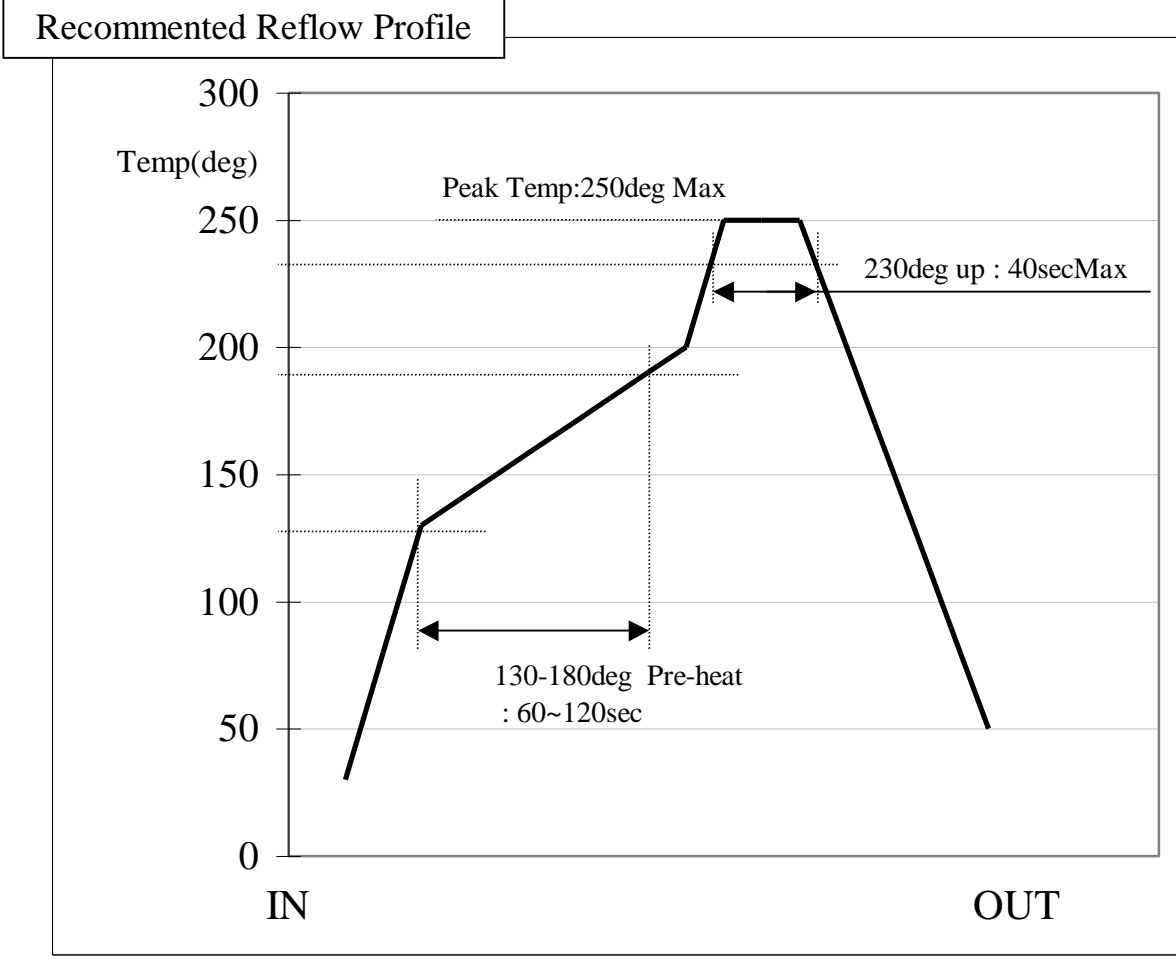
Make sure all of the moisture barrier bags have no holes, cracks or damages at receiving. If an abnormality is found on the bag, its moisture level must be checked in accordance with 2 in 8.2.

Refer to the label on the bag.

1. All of the surface mounting process (reflow process) must be completed **in 12 months** from the bag seal date.
2. Make sure humidity in the bag is less than **10%RH** immediately after open, using a humidity indicator card sealed with the components.
3. **All** of the surface mounting process (reflow process including rework process) must be completed in **168 hours** after the bag is opened (inclusive of any other processes).
4. If any conditions in 8.1 or condition 2 and 3 in 8.2 are not met, bake the components in accordance with the conditions at **125deg-C 24hours**.
5. As a rule, baking the components in accordance with conditions 4 in 8.2 shall be once.
6. Since semi-conductors are inside of the components, they must be free from static electricity while handled. (<100V) Use ESD protective floor mats, wrist straps, ESD protective footwear, air ionizers etc. , if necessary.
7. Please make sure that there are lessen mechanical vibration and shock for this module, and do not drop it.
8. Please recognize pads of back side at surface mount.
9. Washing the module is not recommended. If washing cannot be avoided, please test module functionality and performance after thoroughly drying the module. We cannot be held responsible for any failure due washing the module.

Control No. MQ-H-001	(2/2)	Control name Handling Precaution
-------------------------	-------	-------------------------------------

10. Please perform temperature conditions of module at reflow within the limits of the following.
Please give the number of times of reflow as a maximum of 2 times.



Control No. KM-BB-A223025	(1/4)	Control name Packaging Specification
------------------------------	-------	---

9.Packaging Specification

9.1.Packaging Specification

(1) Packaging Material

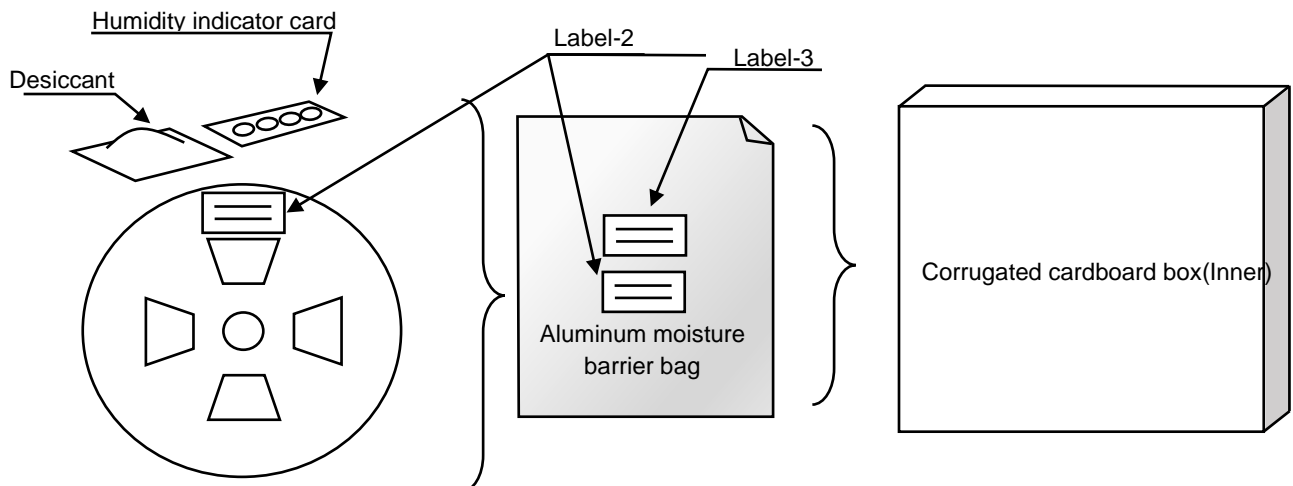
Name	Outline	Materials
Emboss	24 mm wide - 12 mm Pitch	Couductive PS
Cover Tape	-	-
Reel	φ 330 mm	Couductive PS
Desiccant	30g × 1	-
Humidity indicator card	-	-
Aluminum moisture barrier bag	420 × 460 (mm)	(AS)PET/AL/NY/PE(AS)
Label	-	-
Corrugated cardboard box(Inner)	339 × 351 × 74 (mm)	-
Corrugated cardboard box(Outer)	369 × 369 × 277(mm)	-

(2) Packaging Unit

Max 1,000 pieces/Reel

Max 3,000 pieces/Box(Outer)

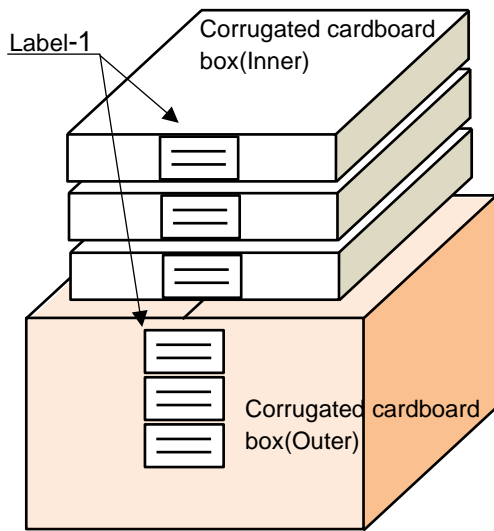
(3) Packing Figure



Control No.
KM-BB-A223025

(2/4)

Control name
Packaging Specification



(4) Label

Label-1

- Purchase order
- Part No.
- Quantity
- Lot No.
- Country of origin

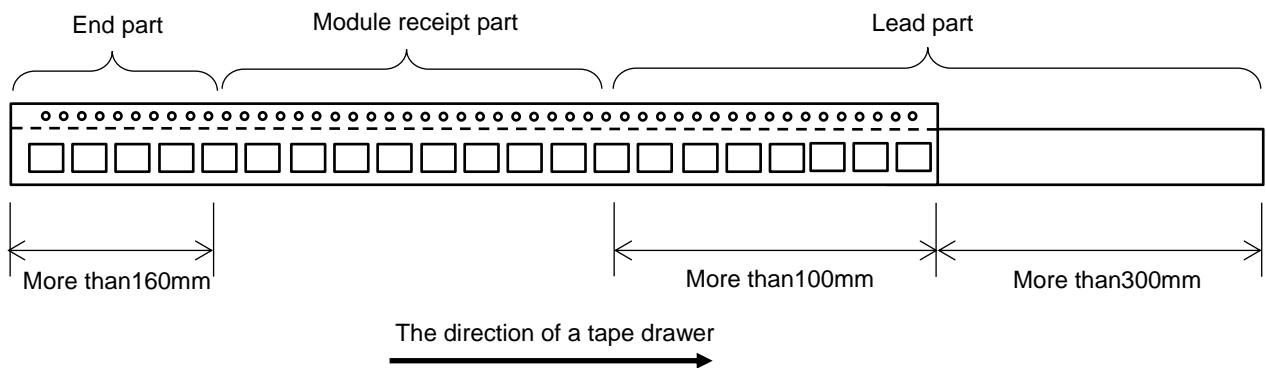
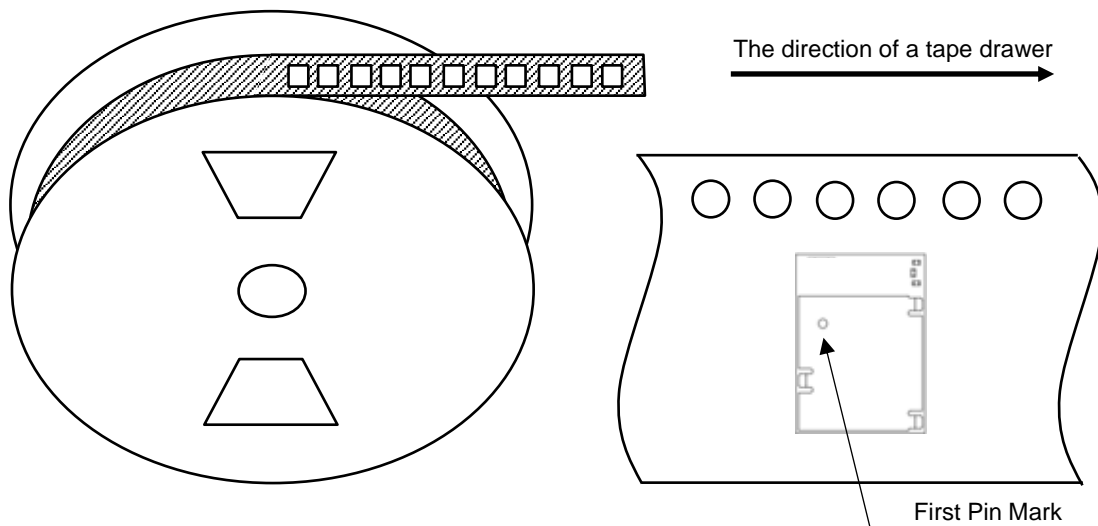
Label-2

- Serial No.
- Part No.
- Quantity
- Country of origin

Label-3

- Caution label
- MSL Level3

9.2. Tape specification

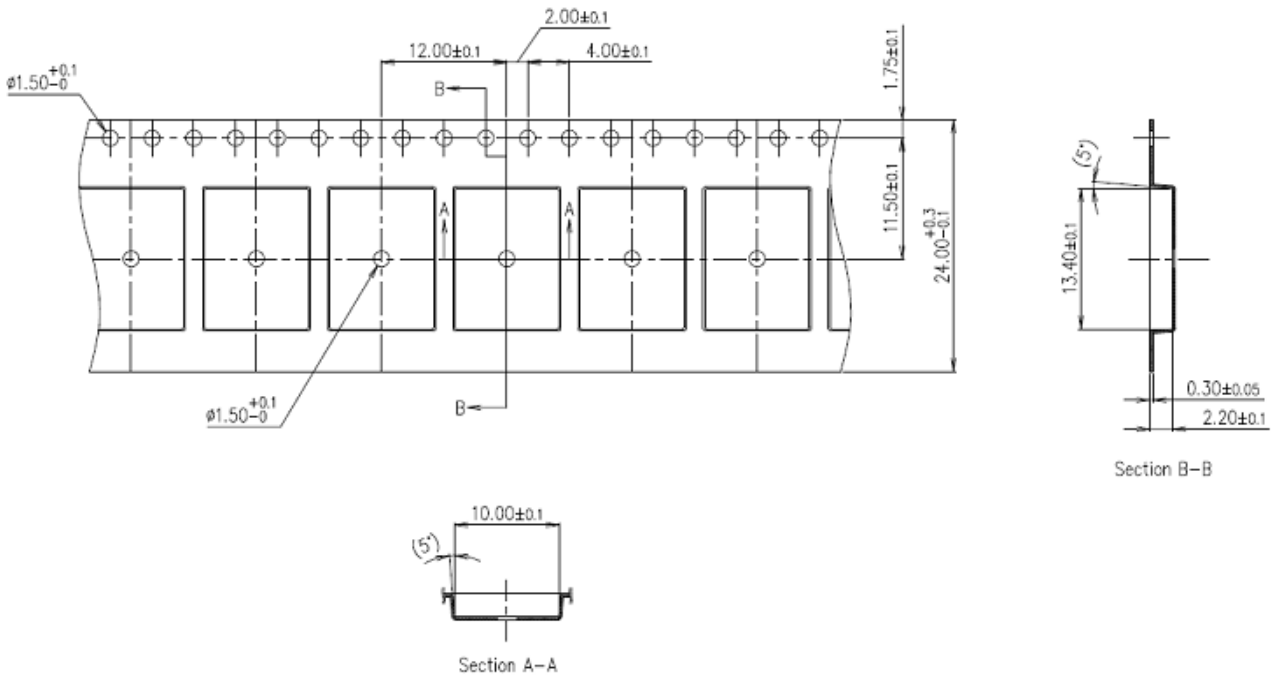


Control No.
KM-BB-A223025

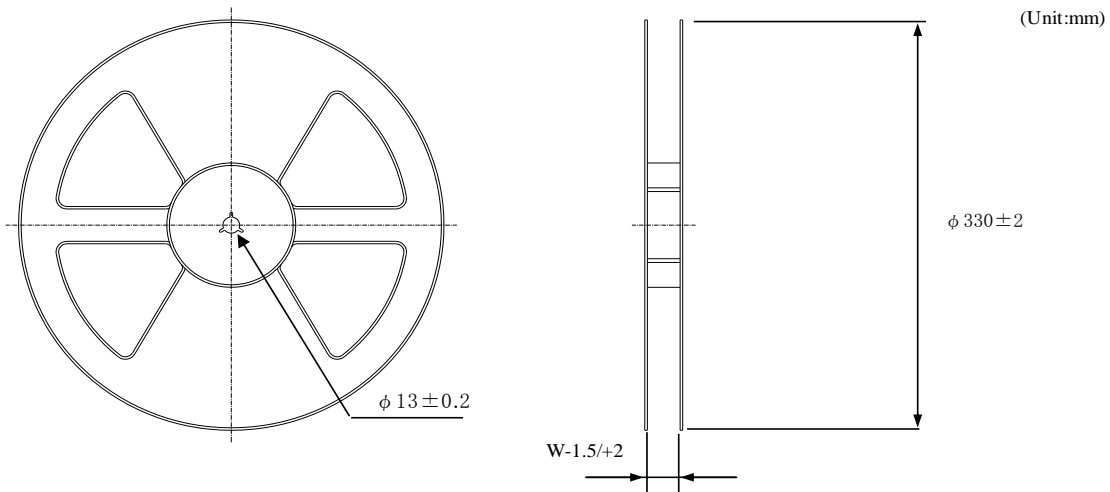
(3/4)

Control name
Packaging Specification

Emboss carrier tape drawing



9.3.Reel specification



Tape wide	8mm	12mm	16mm	24mm	32mm	44mm
W	9.4mm	13.4mm	17.4mm	25.4mm	33.4mm	45.4mm

Control No. KM-BB-A223025	(4/4)	Control name Packaging Specification
------------------------------	-------	---

9.4.Taping performance

Both of an embossing tape top cover tape bear this, when the power of 10N is applied in the direction of a drawer.

The exfoliation adhesion of a top cover tape is the intensity of 0.1~1.3N.
(The angle to pull is 165~180 degrees. The speed to pull is 300 mm/min)

Note

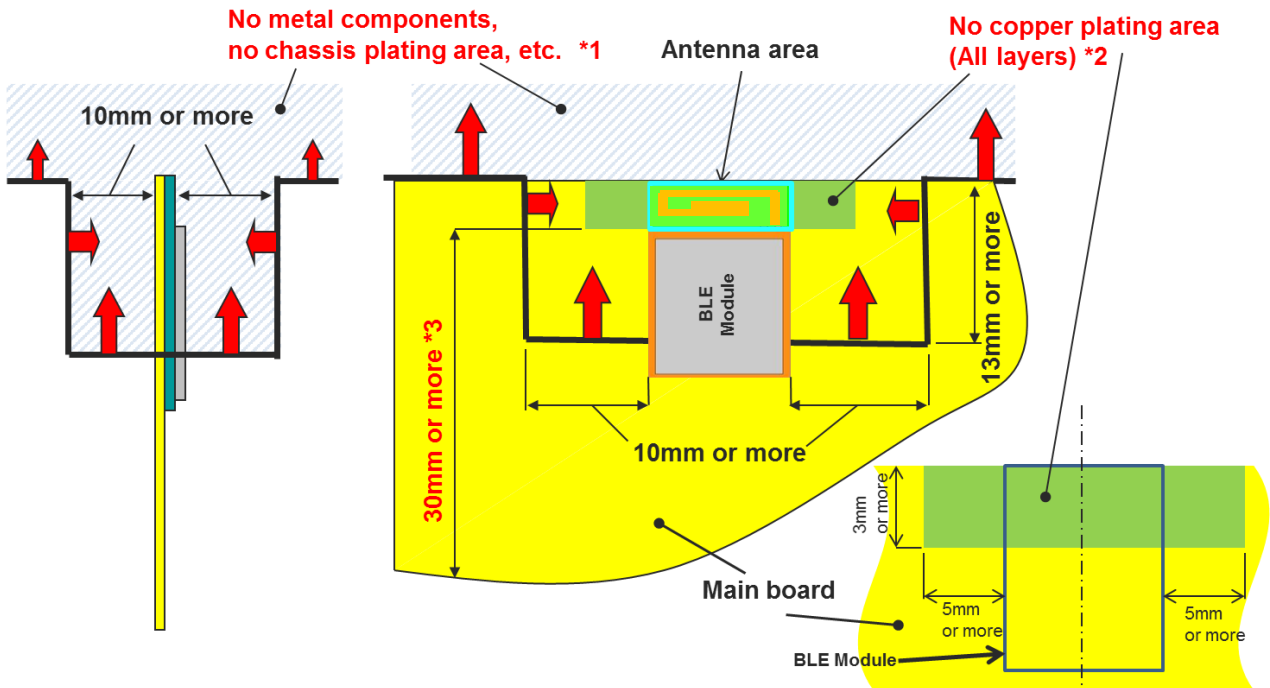
Lack of the parts in 1 reel is with two or less pieces.

MSL Level 3 Under control

Control No. (1/3)	Control name Antenna application note
----------------------	--

10. Antenna application note

10.1. Recommended module mounting example



- *1 Please do not place any metal components in blue shaded space.*1) We do not recommend placing any metal objects upper space of the module in the above figure. If it needs to place metal objects, please consider keeping the metal off from the antenna as far as you can. Such as signal line and metal chassis as possible except for main board while mounting the components in *1 space on the main board is allowed except for no copper plating area. (*2).
- *2 This area is routing prohibited area on the main board. Please do not place copper on any layer. Please remain use of FR-4 dielectric material. The antenna is tuned with the FR-4.
- *3 Characteristics may deteriorate when GND pattern length is less than 30mm. It should be 30 mm or more as possible.

Even when above mentioned condition is satisfied, communication performance may be significantly deteriorated depending on the structure of the product.

Control No.

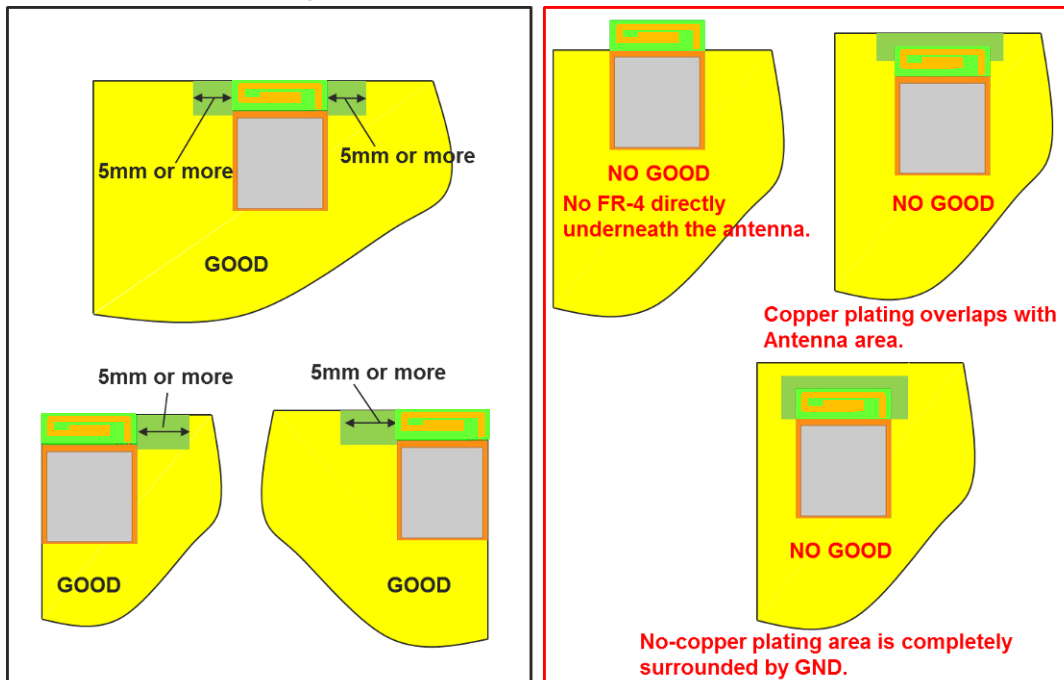
(2/3)

Control name

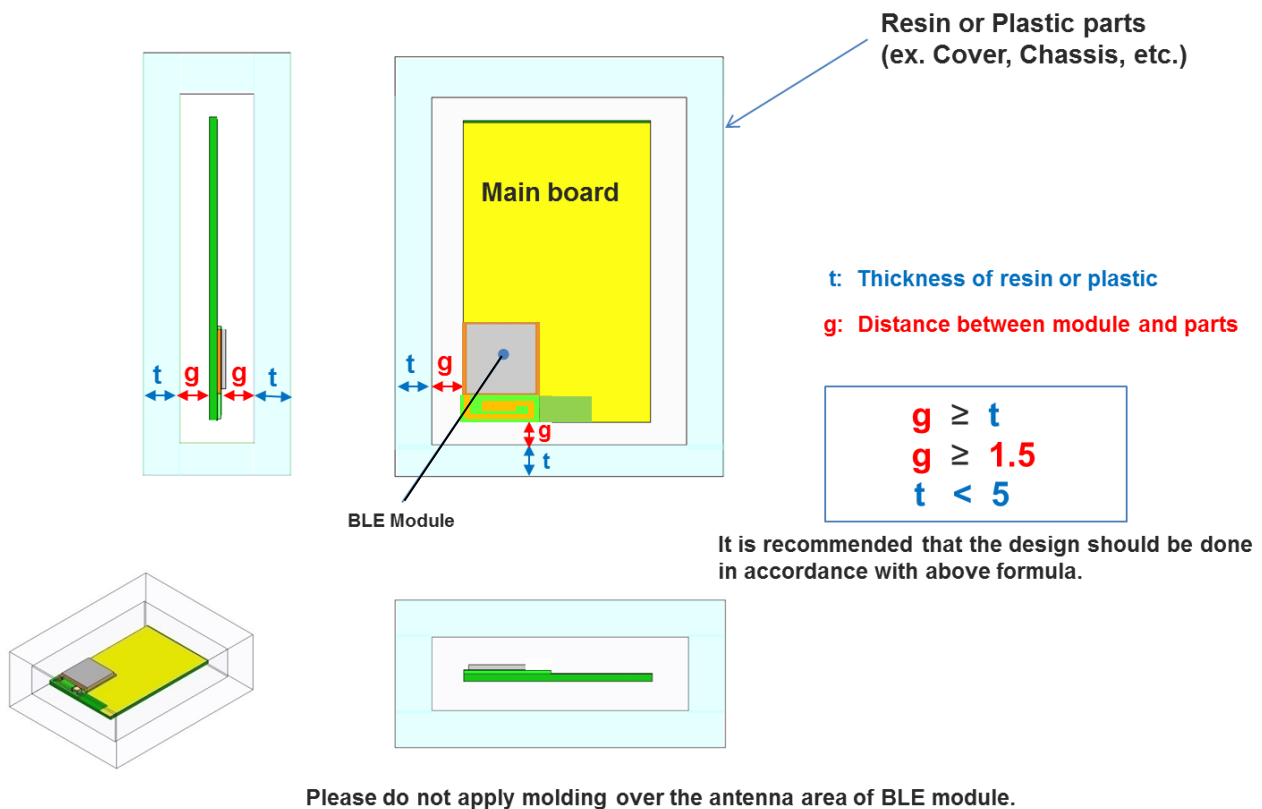
Antenna application note

10.2. Other module mounting examples

Other module mounting examples



Placement of resin or plastic parts



Control No.

(3/3)

Control name

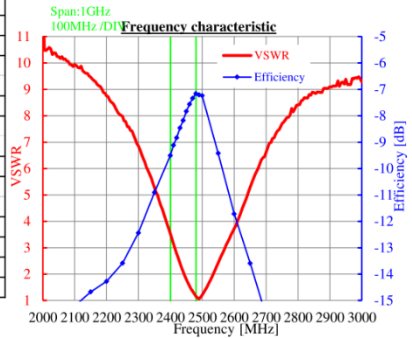
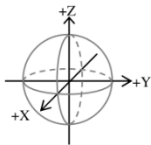
Antenna application note

10.3. Directional characteristics example (when mounted on evaluation board)

Measurement data of antenna

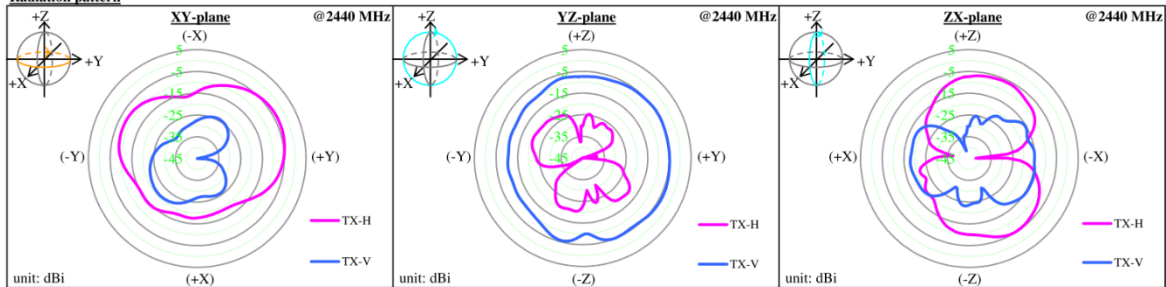
Frequency [MHz]	@2400	@2440	@2480	
Peak gain [dBi]				
3-plane	TX-H	-5.2	-3.7	-2.6
	TX-V	-5.2	-4.0	-3.4
		-5.2	-3.7	-2.6
Average gain [dBi]				
XY-plane	TX-H	-10.9	-9.2	-8.2
	TX-V	-26.9	-25.7	-23.7
YZ-plane	Plus(H,V)	-10.8	-9.1	-8.0
	TX-H	-25.4	-23.4	-21.9
ZX-plane	TX-V	-7.5	-6.4	-5.4
	Plus(H,V)	-7.5	-6.3	-5.3
3plane	TX-H	-11.1	-10.3	-9.5
	Plus(H,V)	-21.1	-19.1	-17.8
	TX-H	-12.7	-11.4	-10.4
	TX-V	-12.1	-10.9	-9.9
Efficiency [dB]	-9.4	-8.1	-7.1	
VSWR [-:1]	3.5	2.1	1.2	

Appearance and coordinates definition



*Note: The value is average value in 1 round of each inclination direction angle.

Radiation pattern



About this Application Note

- This Application Note has been prepared as a reference material to help obtaining the antenna performance mounted on Bluetooth low energy module better while it is not guaranteed or assured to obtain better communication performance and distance.
- This product “Bluetooth low energy module” has been certified and matching circuit constant for antenna within module cannot be changed when ambient environment condition changes. The product must be re-certified when matching circuit constant is changed.

Control No. (1/1)	Control name Design guide
--------------------------	------------------------------

11.Design guide

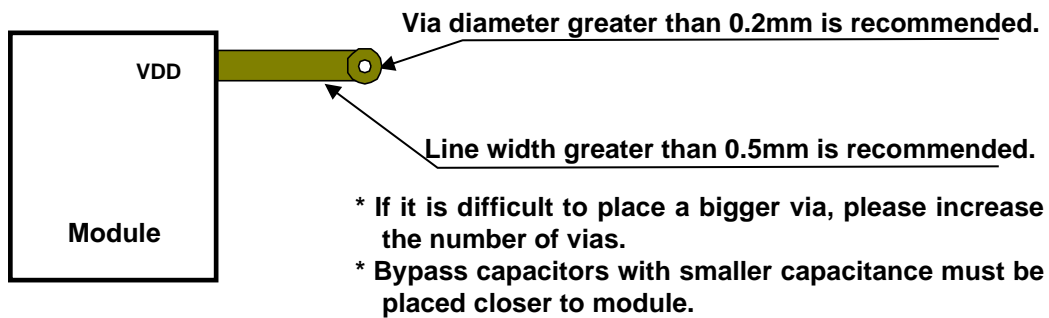
11.1.Battery operation

When using a small battery (e.g. CR2032), a large capacitor (e.g.100uF low leakage capacitor) should be placed near the battery. This will reduce the voltage drop especially when the module is operated at low temperatures

11.2.Pattern Design Guide

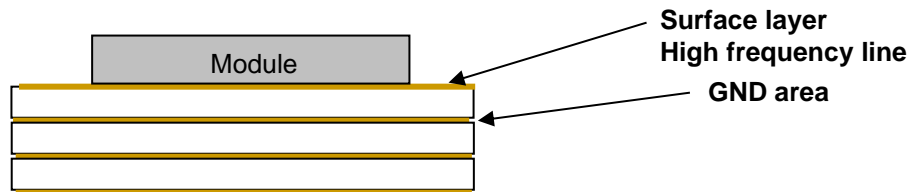
11.2.1.Power Supply System

The VDD trace is preferable greater than 0.5mm and a bigger a via diameter is recommended.



11.2.2.GND Pattern

Wide GND area must be provided to ensure isolation for each layer.



GND pattern of each layer should be connected to GND area with large number of via.

Copyright Information:

Copyright Year 2023

- Bluetooth® low energy module Software

This software is owned by KAGA FEI CO., LTD.

You and your company shall conform following:

- (1) The software image may not be made a copy from KAGA FEI CO., LTD.'s module.
- (2) The software image provided by KAGA FEI CO., LTD. must not be loaded to another vendor's module or chipset, and can be copied only for backup.
- (3) The software image may not be provided to anyone.
- (4) The software image may not be analyzed by reverse engineering, decompile, and disassemble.

KAGA FEI CO., LTD. is not responsible for any damage caused by this software.

Firmware Version is Ver. 1.0.2

There is a possibility of changing a software specification.

Trademark:

- iBeacon is a trademark of Apple Inc.

FUNCTIONAL SPECIFICATION

Table of Contents

1. Introduction	34
2. Hardware	34
2.1 IO Assignments	34
2.1.1 Module	34
2.1.2 Interface	34
3. General Information	35
3.1 Command and Event Formats	35
3.1.1 Ascii Formats	35
3.1.2 Binary Formats	36
3.2 Application Boot	37
3.3 Application Settings and Defaults	37
3.4 Saving Configuration Data	38
3.5 Factory Reset	38
3.6 Power Control	39
3.6.1 Regulator Selection	39
3.6.2 Power Save Mode	39
3.6.3 Deep Sleep Mode	39
3.7 Clock Control	40
3.7.1 HFCLK Clock	40
3.7.2 LFCLK Clock	40
3.8 Device Firmware Update (DFU)	40
4. Interfaces	41
4.1 Types	41
4.1.1 UART	41
4.2 Modes	41
4.2.1 Command Mode	41
4.2.2 Through Mode	41
5. GPIO	43
5.1 User GPIO	43
6. Bluetooth Low Energy	43
6.1 Common Settings	43
6.1.1 Device Address	43
6.1.2 Transmission Power	44
6.1.3 Automatic Start	44
6.2 Advertising	44
6.2.1 Advertising Parameters	44
6.2.2 Advertising Data	45
6.2.3 Beacon Data	46
6.2.4 Advertising Modes	46
6.2.5 Starting and Stopping Advertising	46
6.3 Connections	47
6.3.1 Peripheral	47
6.3.2 Commands and Events	47
6.3.3 Service	47
6.3.3.1 Default Service	47
6.4 Security	48
6.4.1 Security Levels	48
6.4.2 Setting IO Capabilities	49
6.4.3 Pairing	50
6.4.4 Bonding	52
6.5 Privacy	54
6.5.1 Address Privacy	54
6.5.2 Accept listing	54

Figure 1: Data flow for command and through modes.....	42
Figure 2: Configuring the security level.....	48
Figure 3: (Top) Passkey display, Passkey Input (Bottom) Numeric comparison.....	51
Figure 4: Bonding after successful pairing.....	52
Table 1: System control pins.....	34
Table 2: Interface pins.....	34
Table 3: Boot status messages	37
Table 4: Application defaults.....	37
Table 5: GPIO API commands	43
Table 6: Advertising modes.....	46
Table 7: Security levels.....	48
Table 8: IO Capabilities.....	49
Table 9: Pairing methods.....	50
Table 10: Pairing events.....	50
Table 11: Bonding commands	52

1. Introduction

This document outlines the components of the EC2820MA2 device and the configuration options available to the user. The command and event formats required for communicating with the EC 2820MA2 device are explained. Detailed descriptions and use of the commands and events are available in the “**Command API**”.

2. Hardware

2.1 IO Assignments

2.1.1 Module

A number of IO pins are configured for specific functionality. Refer to the table for your specific board model for pin assignments. All pins listed below are configured as input only unless specified. Note that not all pin functions are available for each board.

Table 1: System control pins

Pin	Function	Configuration	Description
P0.15	Factory reset	Active low pullup	If held low on reset, application settings stored in non-volatile memory are erased. Application will revert to default settings.
P0.18	Reset	Active low pullup	The device will be held in RESET while this pin is held low.
P0.14	DFU mode	Active low pullup	When held low on reset, device will enter DFU mode until reset.
P0.28	BLE Mode Select	Varies	Enabled when notify characteristic notifications are enabled. Low (default) – through mode, pulldown High – command mode, pullup Low (default) – through mode, pulldown High – command mode, pullup
P0.02	Power Save	Pullup	Set the Pin to the Low state (at least 0.5 seconds or longer) to enter Power Save Mode.
P0.03	Deep Sleep	Pullup	If a startup / communication disconnection occurs while the Pin is in the Low state, it enters Deep Sleep Mode.
P0.08	User GPIO 1		General purpose IO available to the user
P0.16	User GPIO 2		General purpose IO available to the user
P0.17	User GPIO 3		General purpose IO available to the user
P0.20	User GPIO 4		General purpose IO available to the user
P0.29	User GPIO 5		General purpose IO available to the user
P0.30	User GPIO 6		General purpose IO available to the user

2.1.2 Interface

The pins listed in the table below are configured for use by the respective interfaces.

Table 2: Interface pins

Pin	Function	Description
UART		
0.07	UART RTS	Ready to send output signal
0.05	UART TX	Data output
0.06	UART CTS	Clear to send input signal
0.04	UART RX	Data input

3. General Information

3.1 Command and Event Formats

3.1.1 Ascii Formats

Commands follow a standard format.

- Each command begins with a command start character '\$'
- The 4 character command code
- Input parameters for the command begin with a parameter token ':'
- The command frame ends with CRLF "\r\n"

例

"\$CODE\r\n"

"\$CODE:param1:param2\r\n"

A response will be returned for all commands. The response follows the same format described above. For commands that set configuration options, the response will provide a single parameter: "OK" if the command was successful or "ERRxxx" if the command could not be executed. The error number shows the reason that the command failed. Refer to Error Codes in the "**Command API**".

For commands that fetch configuration options, the parameters returned are described in the "**Command API**".

Exceptions are for HRST (immediate reset) and FRST (factory reset) as the device will immediately reset. In these cases.

Events may be generated during operation. Events follow the same format as commands, with the addition of an 'E' character following the start character. A list of events can be found in the "**Command API**".

Example:

"\$ECODE\r\n"

"\$ECODE:param1:param2\r\n"

3.1.2 Binary Formats

There is a command format for binary transmission. The format for binary transmission is as follows.

- Set the value [0xFA] for the start of the frame when sending binary
- The second byte of the frame should be set to the remaining frame length (1 byte)
- The third byte of the frame should be set to the command code (1 byte)
- The 4th byte of the frame should be set to the parameter corresponding to the command code

0xFA	Length	Command Code	Parameters
------	--------	--------------	------------

The Binary frame command codes supported by this software are as follows.

Command Code	Details	Parameter
0x01	Send data to Central device.	A sequence of data to be notified to the Central device. Maximum number of data points is 244.
0x81	Notify data received from Central device.	Data sequence notified from the Central device. Maximum number of data points is 244.

【Example of transmission】

When sending 0xAA 0xBB 0xCC 0xDD 0xEE, the Binary frame to be input to the UART is as follows.

0xFA 0x06 0x01 0xAA 0xBB 0xCC 0xDD 0xEE

【Example of reception】

When 0x11 0x22 0x33 0x44 0x55 is written to the service, the Binary frame output to the UART is as follows.

0xFA 0x06 0x81 0x11 0x22 0x33 0x44 0x55

【About switching between ASCII frames and Binary frames when receiving data notification】

If the data written to the service meets both of the following conditions, the data is reported in an ASCII frame (\$EBTRX).

- All data consists of printable ASCII codes (0x20 to 0x7E)
- Do not include '\$' (0x24) and ':' (0x3A), which indicate the beginning and end of ASCII frames

If the above conditions are not met, data is notified in a Binary frame.

3.2 Application Boot

When the EC2820MA2 is powered on or reset, a boot sequence will be performed. This boot-up includes the following operations:

- Preparing the hardware
- Loading user settings from flash memory
- Preparing the Softdevice, Services and Characteristics
- Activating the selected serial interface

Once the boot sequence is complete, a **Boot** event message will be output over the selected serial interface. The message will display a status parameter depending on the state of the device:

Table 3: Boot status messages

Status	Description
DFLT	No user configuration data available. The device default values are being used
OK	The device has successfully booted and is using the stored user configuration
ERR	The device has experienced an error during boot

3.3 Application Settings and Defaults

The table below lists the user-configurable settings and their default values

Table 4: Application defaults

Field	Command	Default Value
UART Baudrate	UART	115200 – 115200bps
Regulator	SREG	0 – Use LDO
LFCLK	SXLF	0 – Internal RC
HFCLK	SXHF	0 – Auto
Device name	ADS2	“Kfsa-B 5XXXX” XXXX: address 4Bytes
Address type	SPRV	1 – Fixed address
Address	SBAD	The factory address is set.
Advertising interval	ADS1	160 – 100ms
Advertising timeout	ADS1	1000 – 10s
Advertising mode	ADS6	1 – connectable
Advertising data	ADS3	Only the Device name is included.
Autostart	SASM	1 – Enabled
Bonding	SBND	1 – Enabled
Connection interval min	SCPR	80 - 100ms
Auto Device name	ADS9	2 – Append 2 bytes of the address to the daybus name
Security level	SSEC	1 – Open
Connection interval max	SCPR	160 - 200ms
Connection supervision timeout	SCPR	400 - 4s
Connection Latency	SCPR	0 – 0
IO capabilities	SIOC	0 – None
TX Power	TXPW	‘X’ – SoftDevice automatically selects

3.4 Saving Configuration Data

Configuration data is read from non-volatile Flash memory during boot and stored in volatile memory (RAM) during operation. Configuration changes made by the user only updates the values stored in volatile memory, therefore any reset or loss of power will cause these changes to be lost. Users can issue a **Save** command (**SAVE**) to the EC2820MA2 to commit the current configuration data to Flash. This command can only be issued while the device is not currently advertising, scanning or connected via Bluetooth low energy. When this command is successfully executed, the previous configuration will be erased and the new configuration stored. Upon completion, a **save** (**ESAVE:OK**) event will be issued to the user interface. In the event that the data is not correctly written or the device is reset before the save completes, the EC2820MA2 will attempt to recover the configuration data during boot. If the recovery fails, the default configuration will be loaded.

Some commands affect the boot sequence. These commands require that the user configuration be saved and a reset performed before they are applied. These commands are:

Code	Description
UART	Set the UART interface baudrate
SSEC	Set the desired security level of the service and characteristics
SXLF	Set the preferred LFCLK source

3.5 Factory Reset

In the event that the user wishes to erase all stored configuration settings and bonding information, a factory reset can be performed in two ways:

1. Holding the factory reset pin (P0.15) low and resetting the device
2. Issuing a **Factory Reset** command (FRST) with the "CONFIRM" keyword as a parameter.

If either of these conditions are triggered, the device will erase all user configuration data during boot. The boot message will indicate that the device is using its default configuration. Once the reset is complete, the user should release the pin so that saved data is not erased on subsequent resets.

3.6 Power Control

The EC2820MA2 supports a small number of power control features that users may configure.

3.6.1 Regulator Selection

By default, the EC2820MA2 is configured to use Low-Dropout (LDO) regulators. DCDC regulators can optionally be selected for use, which may improve efficiency and power consumption.

The following commands can be used to set and get the regulator configuration:

Code	Description
SREG	Set the regulator configuration to LDO or DCDC
GREG	Get the current regulator configuration

3.6.2 Power Save Mode

The EC2820MA2 device can be set to enter power-save mode by pulling the specified IO pin(P0.02) low for a minimum of 0.5 seconds. After this time, the device will disable the UART interface and only enable it when data is sent from the device. This allows the device to shutdown the high speed clock when not in use for considerable power saving.

While this state is active, the device will be unable to accept commands. System events will continue to be emitted, and Bluetooth low energy activity will continue (advertisements, scanning, connection etc.). Full serial functionality can be restored by setting the power-save IO high for a minimum of 0.5 seconds. **Power save enabled (PWRL)** and **power save disabled (PWRH)** events will be displayed when the power save mode is changed.

3.6.3 Deep Sleep Mode

In EC2820MA2, you can set the Deep Sleep Mode by setting the Deep Sleep Pin (P0.03) to the Low state and disconnecting or resetting the communication. Deep Sleep Mode can reduce power consumption more than Power Save Mode.

To wake up, set the Deep Sleep Pin to High.

* Please note that if the Deep Sleep Pin is in the Low state at startup, it cannot be started.

3.7 Clock Control

3.7.1 HFCLK Clock

With EC2820MA2, it is possible to set the main clock. ". In the case of" Auto ", a communication error may occur due to the UART baud rate deviation depending on the specifications of the connection destination. In that case, only crystal oscillation should be used. Please use.

*** Changing HFCLK to the external crystal setting will increase power consumption. Please make a judgment after actually measuring in your environment.**

Code	Description
SXHF	Set the preferred HFCLK source
GXHF	Get the preferred HFCLK source

The HFCLK source is configured during the boot sequence, users must therefore issue a **SAVE** command and reset the module to apply changes to the device.

3.7.2 LFCLK Clock

The EC2820MA2 device initially configures its low frequency clock (LFCLK) to use an internal RC oscillator synthesized from the HFCLK. The LFCLK can be set to use an external oscillator (if available) which may reduce power consumption. The following commands can be used to set and get the LFCLK configuration:

Code	Description
SXLF	Set the preferred LFCLK source
GXLF	Get the preferred LFCLK source
RCLF	Get the currently active LFCLK source

The LFCLK source is configured during the boot sequence, users must therefore issue a **SAVE** command and reset the module to apply changes to the device.

3.8 Device Firmware Update (DFU)

The EC2820MA2 device firmware can be updated via serial UART or Bluetooth low energy. Regarding DFU, please refer to the separate user manual for DFU available on our website.
[Device Firmware Update UserManual_E.doc]

4. Interfaces

4.1 Types

The EC2820MA2 device supports up to three interfaces for serial communication; UART.

4.1.1 UART

The UART interface operates on a default baudrate of 115200bps, no parity and 1 stop bit. Flow control is used. Users can modify the baudrate using the following command:

Code	Description
UART	Set the UART interface baudrate

Valid baudrates are listed in the “**Command API**”. baudrate settings are applied on boot, therefore the user must save configuration data to flash using the **SAVE** command and reset the device once the save is complete.

If the user cannot determine the baudrate of the device, a factory reset can be performed to return the interface to its default configuration.

4.2 Modes

Two communication modes are available: **Command** and **Through**. By default, the EC2820MA2 is always in command mode. There are two types of command mode operations: normal commands and commands for binary transmission, and they operate in the respective formats described in section 3.1 Command and Event Formats Formats. When the EC2820MA2 is connected to a peer device and notifications are enabled on the peripheral’s **Read/Notify** characteristic, the communication mode will change depending on the state of the **mode select** pin(P0.28). The default mode when notifications are enabled is **Through**, **Command** mode can be selected by pulling the pin high. A **Mode** (MODE) event will be generated whenever the mode is changed.

4.2.1 Command Mode

In **Command** mode, there are two types of command mode operations: normal commands and commands for binary transmission, and they operate in the respective formats described in section 3.1 Command and Event Formats Formats. In order to send data over the link to a connected peer device, the **SEND** command or binary transmission can be used. Refer to section 6.3 Connections for information about when this command is available. To send binary, use the format for binary transmission. Refer to chapter 3.1.2 for detailed instructions on using the format for transmission. A **Transmit complete** (BTTX) event will be generated when the data has been sent to the peer device. If data is received from the peer device, a **Data Received** (BTRX) event will be generated.

4.2.2 Through Mode

In **Through** mode, all data received on the current interface (UART) is queued directly for transmission over the link. Commands cannot be used in this mode. In peripheral role **Notification** operations will be performed until the queue is empty. Events will not be output while this mode is active, except **Mode** (MODE) events to notify the user that the mode has changed.

Attempting to send commands to the EC2820MA2 while this mode is active will result in the command being transmitted to the peer device. The command will not be executed by the peer device. Data received over the link (notifications or writes depending on the current role) will be output directly on the current interface.

* Note: In through-mode, the EC2820MA2 module buffers data internally to transmit packets opportunistically as the softdevice internal buffers are emptied. The EC2820MA2 buffers hold a maximum of 2kB of data. Sending large blocks of data will require some delay to prevent overflow. The duration of this hold-off time will be dependent on the connection interval and baudrate of the connection.

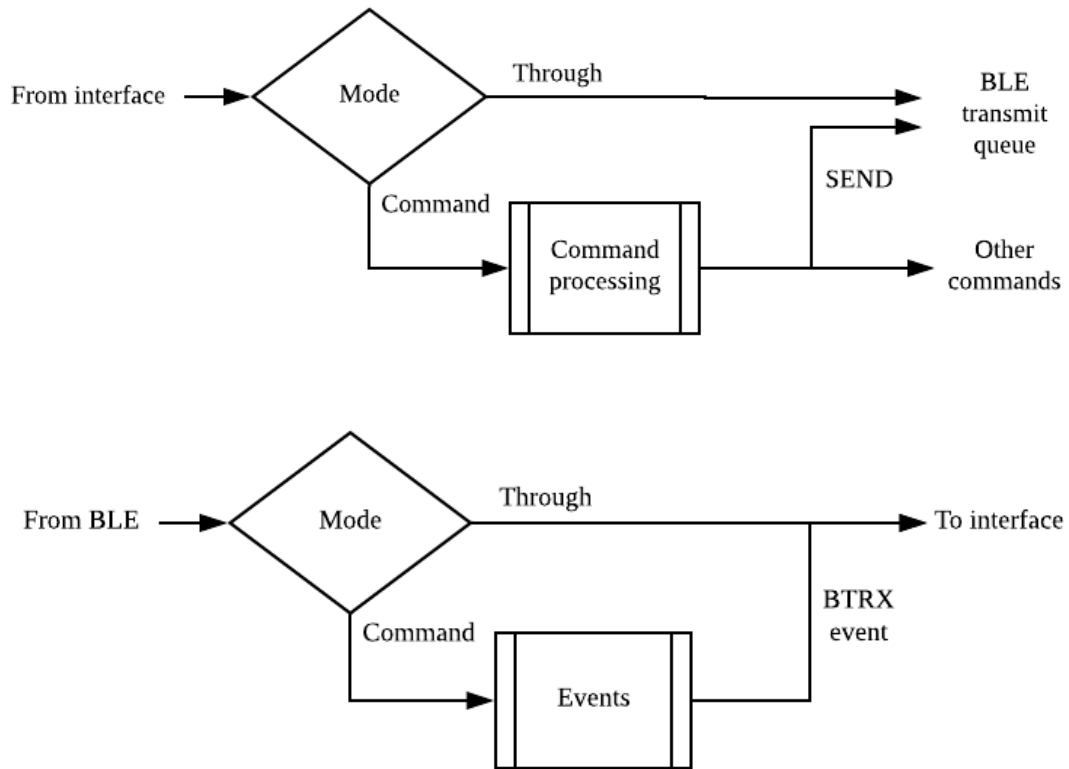


Figure 1: Data flow for command and through modes

5. GPIO

5.1 User GPIO

The EC2820MA2 has up to eight (6) GPIO pins available for use by the user. These pins can be configured as input or output pins. The API commands listed below are available for controlling these pins. Examples and further details about these commands are available in the “**Command API**”.

Table 5: GPIO API commands

Code	Description
IOR	Read value of input
IOW	Set value of output
IOWR	Get value of output

Note: the **IOW** command will result in the corresponding pin being driven at the specified voltage level. This can result in damage to hardware if not connected correctly.

Only **GPIO** numbers listed in The EC2820MA2 has up to eight (6) GPIO pins available for use by the user. These pins can be configured as input or output pins. The API commands listed below are available for controlling these pins. Examples and further details about these commands are available in the API reference manual.

Table 5 are valid. Attempting to target an IO number not listed will return an error.

A value of 0 indicates that the pin is low (GND). A value of 1 indicates that the pin is high (VCC).

If the command returns an error, no operation is applied.

6. Bluetooth Low Energy

6.1 Common Settings

6.1.1 Device Address

The EC2820MA2 device contains a factory-preset randomized static address. This address is used to identify the device during advertising and scanning, except when private addressing modes are used. This address is also exchanged during bonding.

The user may change the address to one of their own choosing. The following commands can be used to set or get the current address.

Code	Description
SBAD	Set the static address that this device will use
GBAD	Read the currently assigned static address

If the **SBAD** command is used with an empty parameter, the original factory address will be used. In order to conform with Bluetooth address specifications, the uppermost two bits of any static address must always be ‘11’. Any address set by the user will automatically be modified to meet this specification. The address can be read following a successful update to confirm the new address.

Changing the device address will make this device unrecognizable to bonded peers.

6.1.2 Transmission Power

When a connection to another device is established, the softdevice will choose an appropriate transmission power based on each device's configuration.

The user can configure the softdevice's selected transmission power using the following commands:

Code	Description
TXPW	Set the transmission power to use
TXPR	Read the currently selected transmission power

The valid list of transmission power levels that can be selected are (dBm) [-40, -20, -16, -12, -8, -4, 0, 2, 3, 4, 5, 6, 7, 8]. A value of 'X' can also be used to allow the transmission power to be managed by the softdevice.

6.1.3 Automatic Start

The EC2820MA2 device can be configured to begin advertising automatically based on its stored configuration. This allows the device to immediately begin advertising after the boot sequence has completed (following a power on or reset) or when a connection is lost. If the device is configured with a limited advertising timeout and the timeout expires, the operation will **NOT** be restarted.

The autostart settings can be configured using the commands listed below.

Code	Description
SASM	Enable or disable the autostart for the currently stored configuration
GASM	Check if autostart is enabled for this device

6.2 Advertising

6.2.1 Advertising Parameters

The advertising interval and timeout can be configured using the following commands:

Code	Description
ADS1	Set the advertising interval and the time before advertising is stopped
ADG1	Read the current advertising interval and timeout

When advertising using a non-connectable mode (i.e. beacons), the Bluetooth specification states that the minimum advertising interval must be ≥ 100 ms. In the event that the user selects a non-connectable mode and the configured advertising interval is < 100 ms, the device will advertise using a 100ms interval. The stored value will not be changed. Setting a timeout of 0 will perform advertising indefinitely.

6.2.2 Advertising Data

Users can configure the advertising and scan response PDUs to include a number of data fragments. The length of the PDU (31 bytes) must be considered when selecting the data to include. The fragments that comprise the advertising PDUs include:

Type	Length	Description
AD type flags	3 bytes	The advertising flags for this device
Manufacturer data	2 bytes + data length	User supplied custom data
Service UUID	18 bytes	The ORIGINAL 128 bit service UUID
Device name	2 bytes + name length	The current device's name

- AD type flags are always included in the advertising PDU and not included in the scan response PDU. Therefore, the advertising PDU maximum number of bytes is 28.
- If the device name is included and the complete name does not fit into the PDU, the name will be truncated. There must be a minimum of 3 bytes available to include the device name.
- If the device name is changed, the name stored in the advertising data will be updated. Note that setting a longer name may result in truncation.
- If the total data requested does not fit inside the PDU an error will be returned.

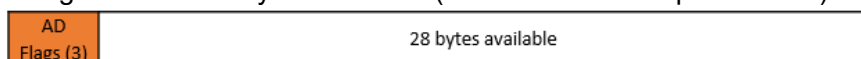
The commands available for modifying advertising and scan response data include:

Code	Description
ADS3	Set the data to be displayed in the advertising PDU
ADG3	Read the current advertising PDU
ADS4	Set the data to be displayed in the scan response PDU
ADG4	Read the current scan response PDU

Setting an empty field for the user data will exclude user data from the PDU (refer to the "**Command API**" for details on the input parameters) . Note that data stored in the scan response PDU will only be available to scanners with active scanning enabled and a scannable advertising mode is selected. Reading the PDU will return the entire PDU as it will be seen by scanning devices.

Advertising PDU Examples

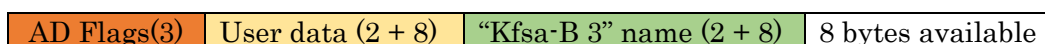
Initially the advertising PDU has 28 bytes available (31 for the scan response PDU).



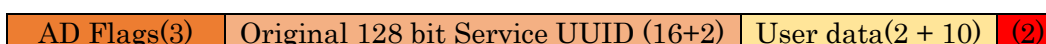
Including the ORIGINAL service UUID requires an extra 18 bytes.



If the user wishes to use eight bytes of custom data and include the device name (e.g. 'Kfsa-B 5') then this will consume 10 + 10 bytes.



If the user attempts to include both the service UUID and 10 bytes of custom data an error will be returned as this requires two more bytes than are available. This configuration would fit inside the scan response PDU however as there are three extra bytes available due to the AD flags not being included.



6.2.3 Beacon Data

When the device is configured in beacon mode, it will advertise using a PDU format that adheres to the iBeacon specification. In this mode, the user can select the proximity UUID, major, minor and measured power fields that will be included in the PDU. The company identifier is fixed to Apple's ID (0x004C) for compatibility with iOS beacon tracking features.

The commands available for modifying advertising and scan response data include:

Code	Description
ADS5	Configure the UUID, major, minor and power values to use in the beacon PDU
ADG5	Read the current beacon PDU

Reading the beacon PDU will return the entire PDU as it will be seen by scanning devices.

6.2.4 Advertising Modes

The EC2820MA2 has two advertising modes available. The advertising data that will be used will depend on the mode selected.

Table 6: Advertising modes

Mode	Type	Extended	Advertising Set
1	Connectable	No	Advertising
2	Non-connectable	No	Beacon

6.2.5 Starting and Stopping Advertising

Advertising can be started and stopped using the following commands:

Code	Description
ADV1	Start advertising with the current configuration
ADV0	Stop advertising

While advertising is active, most configuration changes are not allowed. To change configuration settings advertising should first be stopped. If a timeout is specified, advertising will automatically stop when the time limit expires and an advertising timeout (**ADV T**) event will be generated. If autostart is enabled, advertising will not restart if the user stops advertising or the timeout expires.

6.3 Connections

Upon connection being established with a peer device. The EC2820MA2 will perform a sequence of events based on its current role.

EC2820MA2 is available only for ROLE of Peripheral.

6.3.1 Peripheral

In the peripheral role, the EC2820MA2 device will send a connection parameter update shortly after the connection is established. If the **Reject Invalid Conn Parameters** (ADS7) setting is enabled, the EC2820MA2 device will terminate the connection if the remote central fails to update the connection parameters to be within the configured range.

When the security level (see section 6.4 Security) is higher than **Level 1**, the EC2820MA2 device will respond to read and write requests on characteristics with a **AUTH_REQ** status code. This informs the central device that pairing is required to meet the minimum security requirements before the characteristics can be accessed.

When notifications on the **Read/Notify** characteristic are enabled, the EC2820MA2 device will enter **Command** or **Through** mode depending on the state of the **mode select** pin (P0.28). **Command** mode will be used whenever notifications are disabled.

6.3.2 Commands and Events

The following commands are available during connection when the EC2820MA2 is in command mode.

Code	Description
SEND	Send up to 20 bytes of data to the connected peer
DCON	Terminate an established connection
DLEN	Get the number of bytes that can be sent

The following events can be generated while the EC2820MA2 is connected and notifications are enabled on the peripheral device.

Code	Description
MODE	Event notifying that the mode has changed (C=Command, T=Through)
BTTX	Event notifying that a packet sent with SEND has been transmitted
BTRX	Event notifying that data was received from the peer device. The number of bytes will be provided along with the data

6.3.3 Service

6.3.3.1 Default Service

When using the default service, please use the following services.

Primary Service

Original Service UUID :

0x442F1570-8A00-9A28-CBE1-E1D4212D53EB

Characteristic

Original Characteristic UUID :

0x442F1571-8A00-9A28-CBE1-E1D4212D53EB (Read, Notification)

Original Characteristic UUID :

0x442F1572-8A00-9A28-CBE1-E1D4212D53EB (Write no response)

6.4 Security

6.4.1 Security Levels

There are four security levels that can be configured, corresponding to the four levels of permissions that are available in security mode 1 of the GAP layer. The restrictions of each level applies to the read and write permissions of the characteristics attached to the ORIGINAL Service, including the CCCD descriptor for enabling notifications. The security level therefore only applies to the device when its role is configured as a peripheral.

Note: only security mode 1 is used (levels 1-4). Security mode 2 is not supported.

Table 7: Security levels

Level	Requirements	Description
1	None	No security features are enabled
2	Encryption	Link requires pairing
3	Encryption + MITM	Link requires pairing and authentication
4	LESC MITM encryption	Link requires LESEC pairing and authentication

Security levels that require MITM authentication will require an IO capability that is not IOCAP_NONE. Refer to section 6.4.2 for details. Attempting to set a security level when insufficient IO capabilities are configured will result in an error.

Code	Description
SSEC	Set the desired security level
GSEC	Check the current security level

Changing the security level requires configuration data to be saved to flash using the SAVE command followed by a reset once complete (see [Figure 2](#)). The new security permissions will be applied during boot.

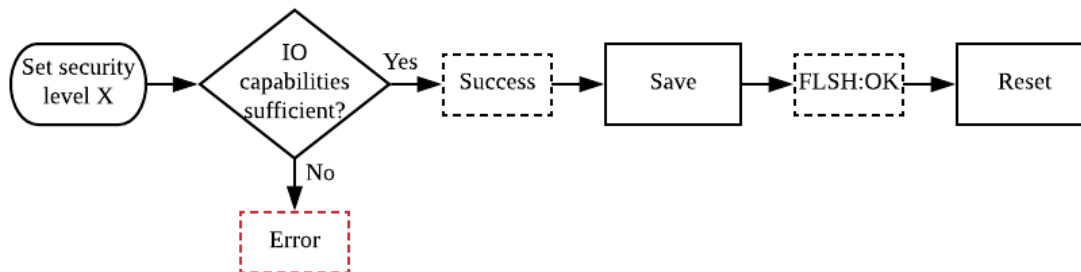


Figure 2: Configuring the security level

When the security level is raised, devices that have previously exchanged bonding information may no longer meet the minimum requirements. In this case, the bonding information should be erased as re-pairing is not supported.

6.4.2 Setting IO Capabilities

As a requirement of MITM authentication, some form of input or output is required to allow display or entry of passkeys/confirmation. The available values that can be set to specify the type of IO capabilities available are listed in [Table 8: IO Capabilities](#).

Table 8: IO Capabilities

Value	Type	Description
0	IOCAPS_NONE	No input or output capabilities are available
1	IOCAPS_DISPLAY	A display is available for output
2	IOCAPS_DISPLAY_YESNO	A display is available for output. An input method for providing a yes or no response is available
3	IOCAPS_KEYBOARD	A character input method is available
4	IOCAPS_KEYBOARD_DISPLAY	A display is available for output. A character input method is available.

If the security level is set to a level that requires MITM authentication, attempting to set the IO capabilities to IOCAPS_NONE will result in an error. The user must lower the security level to one that does not require MITM authentication.

The commands listed below can be used to set the capabilities, or get the current capabilities.

Code	Description
SIOC	Set the input and output capabilities of the host device
GIOC	Check the selected capabilities of the host device

6.4.3 Pairing

In order to provide a level of security, links can be encrypted through a process of key exchange and optional authentication, referred to as pairing. At the beginning of the pairing process, each device exchanges the type of security features it has available. If both devices accept the parameters given, the initiator (central) will select the pairing method that will be used to secure the link. If Man-in-the-middle protection is not required, the pairing method will typically default to Just Works. No user interaction is required for Just Works pairing, the user will be notified of the result once the pairing is completed.

Table 9: Pairing methods

Pairing Method	MITM	LESC	Security level
Just Works (legacy)	No	No	2
Passkey input	Yes	No	3
Just Works (LESC)	No	Yes	2
Numeric comparison	Yes	Yes	4
Passkey input (LESC)	Yes	Yes	4

If MITM protection is used during pairing, the application will generate events depending on the method selected. The event will provide any parameters required by the user. The remote peer will also need to complete the associated action. Where input is required, the event code generated will match the command that the user should enter. Entering any of the pairing commands when not requested will result in an error.

Table 10: Pairing events

Event code	Host action	Peer action
PSKD	Display the provided 6 digit passkey	Input the 6 digit passkey displayed by the host
PSKC	Confirm the 6 digit passkey matches on the peer device	Confirm the 6 digit passkey matches on the host device
PSKI	Input the 6 digit passkey displayed by the peer	Display a 6 digit passkey
PAIR	Pairing has concluded. The parameter supplied with this event will confirm the success (OK) or failure (FAIL) of the pairing.	

Refer to the "**Command API**" for details about these events, parameters and associated commands that are required to successfully complete the pairing.

Pairing may fail under a number of situations. EC2820MA2 configured as peripherals will reject pairing requests if:

- The initiator does not specify parameters that meet the minimum required level of security (e.g. no MITM where authentication is required, no LESE where LESE is required).
- A bonded peer attempts to re-pair a second time.

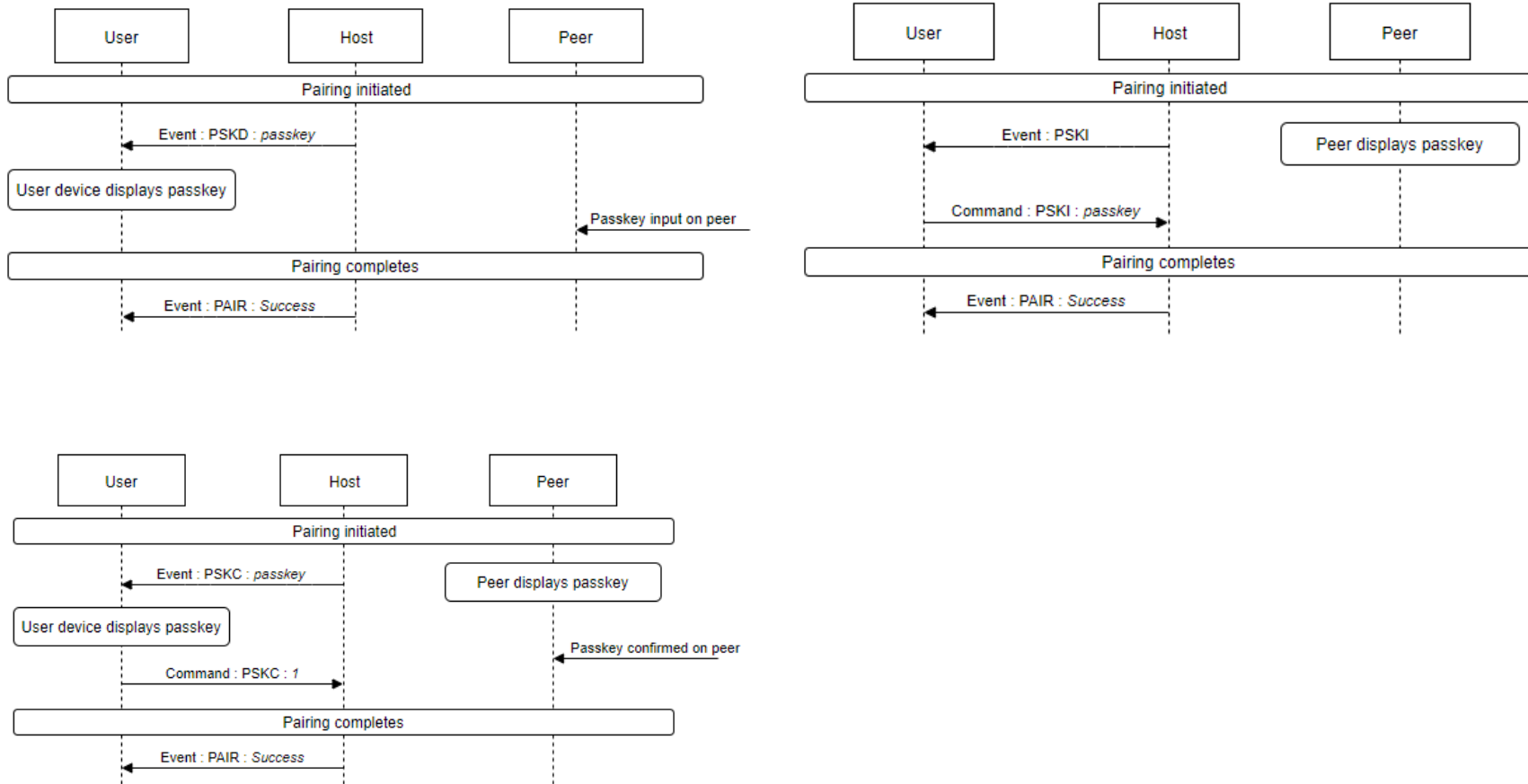


Figure 3: (Top) Passkey display, Passkey Input (Bottom) Numeric comparison

6.4.4 Bonding

Bonding is an extra stage after pairing where the two devices exchange Long-Term Keys (LTK). Devices that are bonded are typically not required to perform the pairing process again, except in cases where security levels change. The EC2820MA2 will provide its Identity Resolving Key (IRK) and Identity Address (Bluetooth low energy MAC address) to the peer, as well as keys necessary for encrypting future connections.

Table 11: Bonding commands

Code	Command
SBND	Set bonding enabled
GBND	Get bonding enabled
CBND	Get the number of currently bonded peers
LBND	Get the addresses of the currently bonded peers
DBND	Delete all bonding information

Bonding can be enabled or disabled by the user with the commands shown in [Table 11: Bonding commands](#). When disabled, all bonding requests will be rejected (pairing will still be performed). When enabled, bonding will be performed **IF** both devices request it and the pairing process is successful. In the event of bonding information being exchanged, the peer information will be written to flash memory and an event will be generated to the user signaling that a bond was performed. The event will also provide the total number of peers that have bonding data stored in flash memory. The EC2820MA2 is configured to store bonding information for up to eight peers.

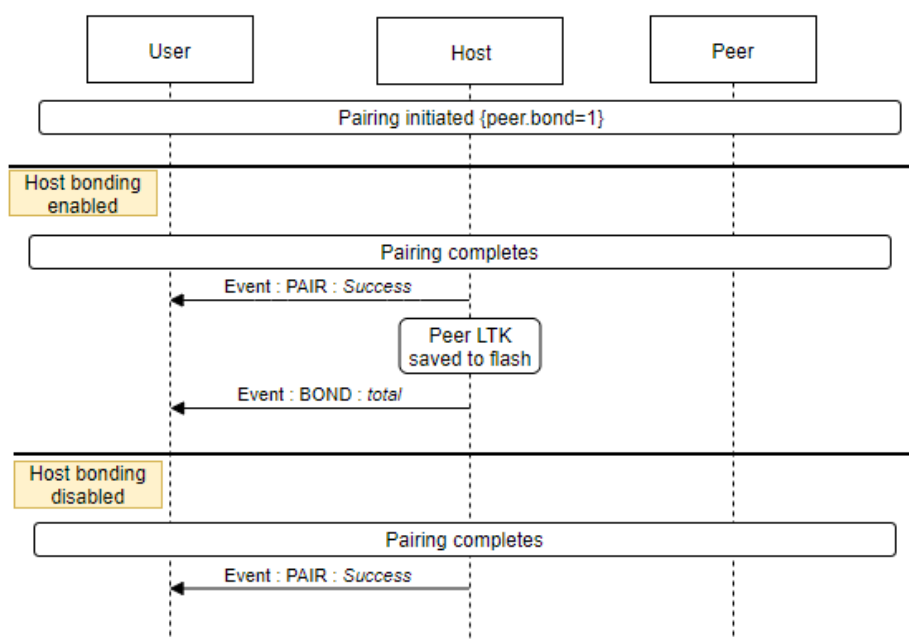


Figure 4: Bonding after successful pairing

If the encryption key is not valid, the link will be terminated with a MIC_FAILURE status.

It may be necessary to delete existing bonding data. Situations include a previously bonded device is no longer using the Identity address or IRK provided during bonding, or to allow a new device to bond when the maximum number of bonds has been reached.

Deleting bonding information will remove data for **ALL** bonded devices and reset the number of available slots to maximum.

6.5 Privacy

6.5.1 Address Privacy

The EC2820MA2 supports three types of address privacy modes. For private modes, the user can select the interval at which a new device is generated by the softdevice.

Mode	Address	Description
1	Static	The configured static address will be used
2	Private, resolvable	A new random address will be periodically generated. Bonded devices will recognize this device by its static address.
3	Private, non-resolvable	A new random address will be periodically generated. No devices will recognize this device.

The commands for selecting the privacy mode are listed below.

Code	Description
SPRV	Set the privacy mode (1 – 3) and the number of seconds between rotations
GPRV	Check the current privacy mode and rotation interval

6.5.2 Accept listing

The EC2820MA2 supports optional accept listing for bonded devices. In the peripheral role, only scan and connection requests from known peers will be acknowledged. If accept listing is enabled and there are no bonded peers available, the accept list will not be applied.

Users can set and check the state of the accept list using the following commands.

Code	Description
SWHT	Enable or disable accept listing for bonded peers.
GWHT	Check if accept listing is enabled or disabled.

Devices using resolvable private addresses that no longer use the Identity Address or IRK provided during bonding will no longer be detectable when accept listing is enabled. Devices using non-resolvable addresses will never be detectable when accept listing is enabled.

Command API

Table of Contents

7. Command List	57
8. APIs	59
8.1. Soft Reset (SRST)	60
8.2. Hard Reset (HRST)	61
8.3. Factory Reset (FRST)	62
8.4. UART Params (UART)	63
8.5. Set DCDC Regulator Config (SREG)	64
8.6. Get DCDC Regulator Config (GREG)	65
8.7. Set LFCLK Source (SXLF)	66
8.8. Get LFCLK Source (GXLF)	67
8.9. Get Active LFCLK Source (RLFC)	68
8.10. Set HFCLK Source (SXHF)	69
8.11. Get HFCLK Source (GXHF)	70
8.12. Version (VERS)	71
8.13. Read Board Model (MODL)	72
8.14. Save (SAVE)	73
8.15. Set IO Output (IOST)	75
8.16. Get IO Output (IOGT)	76
8.17. Set Connection Parameters (SCPR)	77
8.18. Get Connection Parameters (GCPR)	78
8.19. Set Device Address (SBAD)	79
8.20. Get Device Address (GBAD)	80
8.21. Set TX Power (TXPW)	81
8.22. Get TX Power (TXPR)	82
8.23. Enable AutoStart (SASM)	83
8.24. Get AutoStart Enabled (GASM)	84
8.25. Send Data (SEND)	85
8.26. Disconnect (DCON)	86
8.27. Get Data Length (DLEN)	87
8.28. Set Security Level (SSEC)	88
8.29. Get Security Level (GSEC)	89
8.30. Set IO Capabilities (SIOC)	90
8.31. Get IO Capabilities (GIOC)	91
8.32. Set Privacy Mode (SPRV)	92
8.33. Get Privacy Mode (GPRV)	93
8.34. Set Accept list Enabled (SWHT)	94
8.35. Get Accept list Enabled (GWHT)	95
8.36. Input Passkey (PSKI)	96
8.37. Confirm Passkey (PSKC)	97
8.38. Set Bonding Mode (SBND)	98
8.39. Get Bonding Mode (GBND)	99
8.40. Get Number of Bonds (CBND)	100
8.41. Get Bond List (LBND)	101
8.42. Delete Bonds (DBND)	102
8.43. Delete Individual Bonds (RBND)	103
8.44. Start Advertising (ADV1)	104
8.45. Stop Advertising (ADV0)	105
8.46. Set Advertising Parameters (ADS1)	106
8.47. Get Advertising Parameters (ADG1)	107

8.48.	Set Device Name (ADS2)	108
8.49.	Get Device Name (ADG2)	109
8.50.	Set Advertising Data (ADS3)	110
8.51.	Get Advertising Data (ADG3)	111
8.52.	Set Scan Data (ADS4)	112
8.53.	Get Scan Data (ADG4)	113
8.54.	Set Beacon Data (ADS5)	114
8.55.	Get Beacon Data (ADG5)	115
8.56.	Set Advertising Mode (ADS6)	116
8.57.	Get Advertising Mode (ADG6)	117
8.58.	Reject Invalid Connection Parameters (ADS7)	118
8.59.	Get Invalid Connection Rejection (ADG7)	119
8.60.	Set Factory Address Bytes (ADS9)	120
8.61.	Get Factory Address Bytes (ADG9)	121
9.	Events	122
9.1.	Boot/Application Start (BOOT)	122
9.2.	Advertising Start (ADVS)	123
9.3.	Advertising Timeout (ADVT)	123
9.4.	Connection Established (CONN)	124
9.5.	Disconnection (DCON)	125
9.6.	Flash Operation Status (SAVE)	125
9.7.	Service Discovery (SDSC)	126
9.8.	Connection Mode (MODE)	127
9.9.	Pairing (PAIR)	127
9.10.	Bonding (BOND)	128
9.11.	All Bonds Deleted (DBND)	128
9.12.	Individual Bonds Deleted (RBND)	129
9.13.	Display PassKey (PSKD)	129
9.14.	Confirm PassKey (PSKC)	130
9.15.	Input PassKey (PSKI)	130
9.16.	Data Transmit Complete (BTTX)	131
9.17.	Data Received (BTRX)	131
9.18.	Low Power Mode Enabled (PWRL)	132
9.19.	Low Power Mode Disabled (PWRH)	132
9.20.	Deep Sleep Mode Enable (SHDN)	133
10.	Error Codes	134

7. Command List

System API	
<i>Function</i>	<i>Command</i>
Soft reset	SRST
Hard reset	HRST
Factory reset	FRST
UART params	UART
Set DCDC regulator config	SREG
Get DCDC regulator config	GREG
Set LFCLK source	SXLF
Get LFCLK source (setting)	GXLF
Get LFCLK source (active)	RLFC
Set HFCLK source	SXHF
Get HFCLK source	GXHF
Version	VERS
Read Module Type	MODL
Save	SAVE

System Peripherals	
<i>Function</i>	<i>Command</i>
Read IO input	IORD
Set IO output	IOST
Get IO output	IOGT

Common API	
<i>Function</i>	<i>Command</i>
Set connection param	SCPR
Get connection param	GCPR
Set device address	SBAD
Get device address	GBAD
Set TX power	TXPW
Get TX power	TXPR
Enable AutoStart	SASM
Get AutoStart enabled	GASM
Send data (BLE)	SEND
Disconnect	DCON
Get data length	DLEN

Security	
<i>Function</i>	<i>Command</i>
Set security level	SSEC
Get security level	GSEC
Set IO capabilities	SIOC
Get IO capabilities	GIOC
Set privacy mode	SPRV
Get privacy mode	GPRV
Set accept list enabled	SWHT
Get accept list enabled	GWHT
Input passkey	PSKI
Confirm passkey	PSKC
Set bonding mode	SBND

Get bonding mode	GBND
Delete bonds	DBND

Bluetooth low energy Peripheral	
<i>Function</i>	<i>Command</i>
Start advertising	ADV1
Stop advertising	ADV0
Set advertising params	ADS1
Get advertising params	ADG1
Set device name	ADS2
Get device name	ADG2
Set advertising data	ADS3
Get advertising data	ADG3
Set scan data	ADS4
Get scan data	ADG4
Set beacon data	ADS5
Get beacon data	ADG5
Set advertising mode	ADS6
Get advertising mode	ADG6
Set invalid conn reject	ADS7
Get invalid conn reject	ADG7
Set Factory Address Bytes	ADS9
Get Factory Address Bytes	ADG9

8. APIs

Main APIs used by the system.

All input is restricted to printable ascii characters (decimal values 32-126 inclusive), except for the terminating <CRLF> characters.

The above restrictions do not apply when sending binaries.

Character	Hex	Decimal	Character	Hex	Decimal	Character	Hex	Decimal
	20	32	@	40	64	`	60	96
!	21	33	A	41	65	a	61	97
"	22	34	B	42	66	b	62	98
#	23	35	C	43	67	c	63	99
\$	24	36	D	44	68	d	64	100
%	25	37	E	45	69	e	65	101
&	26	38	F	46	70	f	66	102
'	27	39	G	47	71	g	67	103
(28	40	H	48	72	h	68	104
)	29	41	I	49	73	i	69	105
*	2a	42	J	4a	74	j	6a	106
+	2b	43	K	4b	75	k	6b	107
,	2c	44	L	4c	76	l	6c	108
-	2d	45	M	4d	77	m	6d	109
.	2e	46	N	4e	78	n	6e	110
/	2f	47	O	4f	79	o	6f	111
0	30	48	P	50	80	p	70	112
1	31	49	Q	51	81	q	71	113
2	32	50	R	52	82	r	72	114
3	33	51	S	53	83	s	73	115
4	34	52	T	54	84	t	74	116
5	35	53	U	55	85	u	75	117
6	36	54	V	56	86	v	76	118
7	37	55	W	57	87	w	77	119
8	38	56	X	58	88	x	78	120
9	39	57	Y	59	89	y	79	121
:	3a	58	Z	5a	90	z	7a	122
;	3b	59	[5b	91	{	7b	123
<	3c	60	¥	5c	92		7c	124
=	3d	61]	5d	93	}	7d	125
>	3e	62	^	5e	94	~	7e	126
?	3f	63	_	5f	95			

8.1. Soft Reset (SRST)

Description

Soft Reset the device. Reset after 1 second on success, returns error if flash is busy

Request Parameters

None

Request Example

\$SRST<CRLF>

Response

ERR10x : NG

OK : SUCCESS

Response Parameters

None

Response example

None

8.2. Hard Reset (HRST)

Description

Immediately reset the device. No checks on operational state.

Request Parameters

None

Request Example

\$HRST<CRLF>

Response

ERR10x : NG

Response Parameters

None. The device will immediately reset.

Response example

None

8.3. Factory Reset (FRST)

Description

Factory the device. Device will reset and reset all the values to defaults

Request Parameters

Parameter Name	Value	Comments
Confirmation	CONFIRM	

Request Example

\$FRST:CONFIRM<CRLF>

Response

ERR10x : NG

Response Parameters

None. The device will immediately reset.

Response example

None

8.4. UART Params (UART)

Description

Sets the UART Baudrate for the device. The configuration data must be saved and the device reset to apply the settings.

Request Parameters

Parameter Name	Value	Comments
Baudrate	1200,2400,4800,9600, 14400,19200,28800,38400, 57600,76800,115200,230400, 250000,460800,921600,1000000	Default : 115200

Request Example

\$UART:115200<CRLF>

Response

ERR10x : NG

OK : SUCCESS

Response Parameters

None

Response example

None

8.5. Set DCDC Regulator Config (SREG)

Description

Sets whether the DCDC regulators are enabled or disabled. On success the changes will be applied immediately.

Request Parameters

Parameter Name	Value	Comments
Enabled	0, 1	0 – Use LDO 1 – Use DCDC regulators Default : 0

Request Example

\$SREG:1<CRLF>

Response

ERR10x : NG

OK : SUCCESS

Response Parameters

None

Response example

None

8.6. Get DCDC Regulator Config (GREG)

Description

Returns the configuration of the DCDC regulators.

Request Parameters

None

Request Example

\$GREG<CRLF>

Response

ERR10x : NG

OK : SUCCESS

Response Parameters

Parameter Name	Value	Comments
Enabled	0, 1	0 – LDO 1 – DCDC

Response example

GREG:1<CRLF>

8.7. Set LFCLK Source (SXLF)

Description

Selects the LFCLK source to use (internal RC oscillator or external 32kHz oscillator). When setting the source, a SAVE operation followed by an application reset is required.

Request Parameters

Parameter Name	Value	Comments
LFCLK selection	0 – Internal RC 1 – External 32kHz	Default : 0

Request Example

\$SXLF:1<CRLF>

Response

ERR10x : NG

OK : SUCCESS

Response Parameters

None

Response example

None

8.8. Get LFCLK Source (GXLF)

Description

Returns the LFCLK source selected by the SXLF setting. This may differ to the active LFCLK source if the system has not been restarted since the configuration was modified.

Request Parameters

None

Request Example

```
$GXLF<CRLF>
```

Response

```
ERR10x : NG
```

Response Parameters

Parameter Name	Value	Comments
LFCLK source	0 – Internal RC 1 – External 32kHz	

Response example

```
GXLF:1<CRLF>
```

8.9. Get Active LFCLK Source (RLFC)

Description

Returns the LFCLK source currently being used by the module.

Request Parameters

None

Request Example

\$RLFC<CRLF>

Response

ERR10x : NG

Response Parameters

Parameter Name	Value	Comments
LFCLK source	0 – Internal RC 1 – External 32kHz	

Response example

RLFC:1<CRLF>

8.10. Set HFCLK Source (SXHF)

Description

Automatic switching between internal RC and crystal oscillator, or crystal oscillator only. When setting the source, a SAVE operation followed by an application reset is required.

Request Parameters

Parameter Name	Value	Comments
HFCLK selection	0 -> Auto(Default) 1 -> External	Default : 0

Request Example

\$SXHF:1<CRLF>

Response

ERR10x : NG

OK : SUCCESS

Response Parameters

None

Response example

None

8.11. Get HFCLK Source (GXHF)

Description

Returns the HFCLK source selected by the SXHF setting. This may differ to the active HFCLK source if the system has not been restarted since the configuration was modified.

Request Parameters

None

Request Example

\$GXHF<CRLF>

Response

ERR10x : NG

OK : SUCCESS

Response Parameters

Parameter Name	Value	Comments
HFCLK source	0 -> Auto(Default) 1 -> External	

Response example

\$GXHF:1<CRLF>

8.12. Version (VERS)

Description

Gets the version number of the firmware.

Request Parameters

None

Request Example

\$VERS<CRLF>

Response

ERR10x : NG

OK : SUCCESS

Response Parameters

Parameter Name	Value	Comments
Version	X.Y.Z	Version number

Response example

\$VERS:1.0.2<CRLF>

8.13. Read Board Model (MODL)

Description

Gets the Part number of the hardware module. IO assignments will change depending on which model of module is used. Some APIs may not be available depending on the model type.

Request Parameters

None

Request Example

\$MODL<CRLF>

Response

ERR10x : NG

OK : SUCCESS

Response Parameters

Parameter Name	Value	Comments
Model	xxxxxx	Model Type

Response example

\$MODL: EC2820<CRLF>

8.14. Save (SAVE)

Description

Save current configuration to flash, event is posted on completion

Request Parameters

None

Request Example

\$SAVE<CRLF>

Response

ERR10x : NG

OK : SUCCESS

Response Parameters

None

Response example

None

Read IO Input (IORD)

Description

Read the input level of a GPIO pin.

Request Parameters

Parameter Name	Value	Comments
Pin	1-8	

Request Example

\$IORD:1 <CRLF>

Response

ERR10x : NG

OK : SUCCESS

Response Parameters

Parameter Name	Value	Comments
Value	0 -> Low 1 -> High	Voltage (Low) = GND Voltage (High) = VDD

Response example

\$IORD:1<CRLF>

8.15. Set IO Output (IOST)

Description

Set the output level of a GPIO pin.

For details on GPIO pin, refer to "FUNCTIONAL SPECIFICATION 5. GPIO".

Note: The user must ensure that the GPIO pin can safely drive current.

Request Parameters

Parameter Name	Value	Comments
Pin	1-8	
Value	0 (GND),1(VDD)	

Request Example

```
$IOST:1:1<CRLF>
```

Response

```
ERR10x : NG
```

```
OK : SUCCESS
```

Response Parameters

None

Response example

None

8.16. Get IO Output (IOGT)

Description

Get the output level of a GPIO pin.

Request Parameters

Parameter Name	Value	Comments
Pin	1-8	

Request Example

\$IOGT:2<CRLF>

Response

ERR10x : NG

OK : SUCCESS

Response Parameters

Parameter Name	Value	Comments
Value	0 -> Low 1 -> High	Voltage (Low) = GND Voltage (High) = VDD

Response example

\$IOGT:1<CRLF>

8.17. Set Connection Parameters (SCPR)

Description

Set the preferred connection parameters. Peripherals will send a connection parameter update to the central with these parameters after 3 seconds.

Request Parameters

Parameter Name	Value	Comments
Interval Min	6 – 3200	1.25ms units
Interval Max	6 – 3200	1.25ms units
Latency	0 – 499	
Timeout	10 - 3200	10ms units

Timeout must be a minimum of $((1 + \text{latency}) \times \text{max interval}) * 2$

Request Example

```
$SCPR:100:200:0:3200<CRLF>
```

Response

ERR10x : NG

OK : SUCCESS

Response Parameters

None

Response example

None

8.18. Get Connection Parameters (GCPR)

Description

Get the current connection parameters.

Request Parameters

None

Request Example

\$GCPR<CRLF>

Response

ERR10x : NG

OK : SUCCESS

Response Parameters

Parameter Name	Value	Comments
Interval Min	6 – 3200	1.25ms units Default : 80 (100ms)
Interval Max	6 – 3200	1.25ms units Default : 160 (200ms)
Latency	0 – 499	Default : 0
Supervision Timeout	10 - 3200	10ms units Default : 400 (4s)

Response example

\$GCPR: 100:200:0:3200<CRLF>

8.19. Set Device Address (SBAD)

Description

Sets the device's address. This address will be used when the privacy mode is disabled.

Request Parameters

Parameter Name	Value	Comments
Address	up to 12 ascii-format hex characters	Use an empty field to revert to the factory default Default : factory condition

The uppermost 2 bits of the address will always be set to meet Bluetooth specification. If the user inputs an address with these bits not set, they will be set by the firmware.

Request Example

\$SBAD: 23456789ABCD<CRLF>

\$SBAD:<CRLF>

Response

ERR10x : NG

OK : SUCCESS

Response Parameters

None

Response example

None

8.20. Get Device Address (GBAD)

Description

Get the device's address.

Request Parameters

None

Request Example

\$GBAD<CRLF>

Response

ERR10x : NG

OK : SUCCESS

Response Parameters

Parameter Name	Value	Comments
Address	less than or equal to 12 Hex Characters	

Response example

\$GBAD: E3456789ABCD<CRLF>

8.21. Set TX Power (TXPW)

Description

Sets the transmission power for the radio.

Request Parameters

Parameter Name	Value	Comments
TX Power	-40, -20, -16, -12, -8, -4, 0, 2, 3, 4, 5, 6, 7, 8, X	Use X to let the SoftDevice use defaults Default : X

Request Example

\$TXPW:2<CRLF>

\$TXPW:X<CRLF>

Response

ERR10x : NG

OK : SUCCESS

Response Parameters

None

Response example

None

8.22. Get TX Power (TXPR)

Description

Gets the transmission power for the radio.

Request Parameters

None

Request Example

\$TXPR<CRLF>

Response

ERR10x : NG

OK : SUCCESS

Response Parameters

Parameter Name	Value	Comments
TX Power	-40, -20, -16, -12, -8, -4, 0, 2, 3, 4, 5, 6, 7, 8, X	Use X to let the SoftDevice use defaults

Response example

None

8.23. Enable AutoStart (SASM)

Description

When enabled, the device will automatically start scanning or advertising based on its current role. Automatic operations will take place on boot or after disconnection. Advertising or scanning timeouts will not trigger an automatic restart.

Request Parameters

Parameter Name	Value	Comments
Enabled Flag	0 -> Not enabled	Default : 1
	1 -> Enable	

Request Example

\$SASM:1<CRLF>

Response

ERR10x : NG

OK : SUCCESS

Response Parameters

None

Response example

None

8.24. Get AutoStart Enabled (GASM)

Description

Gets the automatic advertising or scanning on reset or disconnect.

Request Parameters

None

Request Example

\$GASM<CRLF>

Response

ERR10x : NG

OK : SUCCESS

Response Parameters

Parameter Name	Value	Comments
Enabled Flag	0 -> Not enabled	
	1 -> Enable	

Response example

\$GASM:1<CRLF>

8.25. Send Data (SEND)

Description

Send data to the connected peer. Only available once notifications are enabled on the peripheral device. Generates a transmission complete event (BTTX) once the data is sent.

The default maximum for any connection is 20 characters. This value may increase based on MTU maximum size with compatible devices. Refer to “8.25 Send Data (SEND)”.

Request Parameters

Parameter Name	Value	Comments
Data	Max 20~244 characters	

Request Example

\$SEND: ABC<CRLF>

Response

ERR10x : NG

OK : SUCCESS

Response Parameters

None

Response example

None

8.26. Disconnect (DCON)

Description

Terminate the current connection.

Request Parameters

None

Request Example

\$DCON<CRLF>

Response

ERR10x : NG

OK : SUCCESS

Response Parameters

None

Response example

None

8.27. Get Data Length (DLEN)

Description

Read the maximum MTU size of the current connection. This value corresponds to the maximum number of characters that can be transmitted by the SEND command. The value will vary based on the limitations of the peer device. The MTU size will only change a maximum of once per connection.

The EC2820MA2 devices support a maximum MTU size of 244 bytes.

This command is only available once notifications are enabled on the peripheral device.

Request Parameters

None

Request Example

```
$DLEN<CRLF>
```

Response

ERR10x : NG

OK : SUCCESS

Response Parameters

Parameter Name	Value	Comments
MTU maximum size	20 ~ 244	

Response example

```
$DLEN:125<CRLF>
```

8.28. Set Security Level (SSEC)

Description

Set the desired security level for the device's characteristics. The device configuration must be saved and reset to apply changes. Levels 3+ require IO capabilities > 0. Raising the security level may cause bonded peers to no longer have sufficient authentication, bonding data must be cleared to re-bond.

Request Parameters

Parameter Name	Value	Comments
Level	1 -> Open 2 -> Enc 3 -> Enc + Mitm 4 -> Mitm + Lesc	Default : 1

Request Example

```
$SSEC:1<CRLF>
```

Response

```
ERR10x : NG
```

```
OK : SUCCESS
```

Response Parameters

None

Response example

None

8.29. Get Security Level (GSEC)

Description

Gets the current security level for the device.

Request Parameters

None

Request Example

```
$GSEC<CRLF>
```

Response

ERR10x : NG

OK : SUCCESS

Response Parameters

Parameter Name	Value	Comments
Level	1 -> Open 2 -> Enc 3 -> Enc + Mitm 4 -> Mitm + Lesc	

Response example

```
$GSEC:1<CRLF>
```

8.30. Set IO Capabilities (SIOC)

Description

Set the available IO capabilities for the device (keyboard, display, etc). Used for determining pairing methods during MITM authentication. Attempting to set IO capabilities to 0 when security is 3+ will result in an error as MITM authentication is required.

Request Parameters

Parameter Name	Value	Comments
Capabilities	0 -> None 1 -> Display 2 ->Display+YesNo 3 -> Keyboard 4 ->Keyboard+Display	Default : 0

Request Example

\$SIOC:0<CRLF>

Response

ERR10x : NG

OK : SUCCESS

Response Parameters

None

Response example

None

8.31. Get IO Capabilities (GIOC)

Description

Gets the available IO capabilities for the device (keyboard, display, etc)

Request Parameters

None

Request Example

\$GIOC<CRLF>

Response

ERR10x : NG

OK : SUCCESS

Response Parameters

Parameter Name	Value	Comments
Capabilities	0 -> None 1 -> Display 2 ->Display+YesNo 3 -> Keyboard 4 ->Keyboard+Display	

Response example

\$GIOC:2<CRLF>

8.32. Set Privacy Mode (SPRV)

Description

Set the address privacy mode of the device. Selecting non-resolvable privacy will cause bonded peers to not recognize this device.

Request Parameters

Parameter Name	Value	Comments
Type	1 -> Fixed address (factory default or user set address). Rotation is not used 2 -> Resolvable. Randomized. Device can be identified 3 -> Non-resolvable. Randomized, not identifiable	Default : 0
Rotation	1 - 41400	How many seconds between address changes

Request Example

```
$SPRV:1:1<CRLF>
```

Response

```
ERR10x : NG
```

```
OK : SUCCESS
```

Response Parameters

None

Response example

None

8.33. Get Privacy Mode (GPRV)

Description

Gets the privacy mode for scanning/advertising.

Request Parameters

None

Request Example

\$GPRV<CRLF>

Response

ERR10x : NG

OK : SUCCESS

Response Parameters

Parameter Name	Value	Comments
Type	1 -> Fixed address (factory default or user set address). Rotation is not used 2 -> Resolvable. Randomized. Device can be identified 3 -> Non-resolvable. Randomized, not identifiable	
Rotation	1 - 41400	How many seconds between address changes

Response example

None

8.34. Set Accept list Enabled (SWHT)

Description

Sets the use of accept listing for bonded peers. If enabled, only peers whose address is can be resolved are allowed through the accept list filter. If no peers have bonded with this device, the accept list will not be applied.

Request Parameters

Parameter Name	Value	Comments
Enable accept list	0 = disabled 1 = enabled	

Request Example

\$SWHT:1<CRLF>

Response

ERR10x : NG

OK : SUCCESS

Response Parameters

None

Response example

None

8.35. Get Accept list Enabled (GWHT)

Description

Get the enabled/disabled status of the accept list.

Request Parameters

None

Request Example

\$GWHT<CRLF>

Response

ERR10x : NG

OK : SUCCESS

Response Parameters

Parameter Name	Value	Comments
Enable accept list	0 = disabled 1 = enabled	

Response example

None

8.36. Input Passkey (PSKI)

Description

Input Passkey. Used during pairing. User must input the passkey presented on the remote device during pairing and only after a passkey input event (PSKI). If the key is incorrect the user may attempt until the central times out the request.

Request Parameters

Parameter Name	Value	Comments
Passkey	6 digits	

Request Example

\$PSKI:123456<CRLF>

Response

ERR10x : NG

OK : SUCCESS

Response Parameters

None

Response example

None

8.37. Confirm Passkey (PSKC)

Description

Confirm Passkey. Used during pairing. The user must verify that the passkey displayed on both devices matches and acknowledge using this command.

Request Parameters

Parameter Name	Value	Comments
Confirmation	0 -> Passkeys do not match 1 -> Passkeys match	

Request Example

\$PSKC:1<CRLF>

Response

ERR10x : NG

OK : SUCCESS

Response Parameters

None

Response example

None

8.38. Set Bonding Mode (SBND)

Description

Enable/disable accepting bonding requests.

Request Parameters

Parameter Name	Value	Comments
Mode	0 -> Off. Bonding requests will be rejected. 1 -> On. Bonding request will be accepted if it meets the minimum security level.	Default : 1

Request Example

\$SBND:1<CRLF>

Response

ERR10x : NG

OK : SUCCESS

Response Parameters

None

Response example

None

8.39. Get Bonding Mode (GBND)

Description

Gets the Accepting Bonding Requests Value.

Request Parameters

None

Request Example

\$GBND<CRLF>

Response

ERR10x : NG

OK : SUCCESS

Response Parameters

Parameter Name	Value	Comments
Mode	0 -> Off. Bonding requests will be rejected. 1 -> On. Bonding request will be accepted if it meets the minimum security level.	

Response example

\$GBND:0-<CRLF>

8.40. Get Number of Bonds (CBND)

Description

Read the current number of bonds.

Request Parameters

Parameter Name	Value	Comments
Count	0-8	

Request Example

None

Response

ERR10x : NG

OK : SUCCESS

Response Parameters

None

Response example

\$CBND:2<CRLF>

8.41. Get Bond List (LBND)

Description

Print the addresses of the currently bonded peers.

Request Parameters

None

Request Example

\$LBND<CRLF>

Response

ERR10x : NG

OK : SUCCESS

Response Parameters

Parameter Name	Value	Comments
Address	12 Hex Characters	Up to a maximum of 8 addresses

Response example

\$LBND:123456789ABC:23456789ABCD<CRLF>

\$LBND:<CRLF>

8.42. Delete Bonds (DBND)

Description

Delete all of the stored bonding information on the device.

Request Parameters

None

Request Example

\$DBND<CRLF>

Response

ERR10x : NG

OK : SUCCESS

Response Parameters

None

Response example

None

8.43. Delete Individual Bonds (RBND)

Description

Deletes the bonding data of the specified address. Up to 8 items can be specified at the same time.

Request Parameters

Parameter Name	Value	Comments
[mac] up to 8	12 ascii-hex formatted characters per address	Up to a maximum of 8 addresses

Request Example

```
$RBND:EE87EA3E4160:F6FE5F035962:D2EC08EC68F9<CRLF>
```

Response

ERR10x : NG

OK : SUCCESS

Response Parameters

None

Response example

None

8.44. Start Advertising (ADV1)

Description

Begins advertising using the current configuration.

Request Parameters

None

Request Example

\$ADV1<CRLF>

Response

ERR10x : NG

OK : SUCCESS

Response Parameters

None

Response example

None

8.45. Stop Advertising (ADV0)

Description

Stop the current advertising.

Request Parameters

None

Request Example

\$ADV0<CRLF>

Response

ERR10x : NG

OK : SUCCESS

Response Parameters

None

Response example

None

8.46. Set Advertising Parameters (ADS1)

Description

Set the advertising interval and timeout.

Request Parameters

Parameter Name	Value	Comments
Interval	32 - 16384	Minimum interval for beacons is 100ms. If the stored value is lower 100ms will be used instead. [unit:0.625ms] Default : 160 (100ms)
Timeout	0 - 65535	Timeout in seconds. 0 is unlimited. [unit:10ms] Default : 1000 (10s)

Request Example

```
$ADS1:32:100<CRLF>
```

Response

ERR10x : NG

OK : SUCCESS

Response Parameters

None

Response example

None

8.47. Get Advertising Parameters (ADG1)

Description

Gets the set advertising interval and timeout.

Request Parameters

None

Request Example

\$ADG1<CRLF>

Response

ERR10x : NG

OK : SUCCESS

Response Parameters

Parameter Name	Value	Comments
Interval	32 - 16384	0.625ms units
Timeout	0 - 65535	10ms units

Response example

\$ADG1:32:100<CRLF>

8.48. Set Device Name (ADS2)

Description

Sets the device name that will be broadcast. If the device name is used in advertising data, setting a new name will update the advertising data. The name will be truncated if it does not fit.

Request Parameters

Parameter Name	Value	Comments
Name	<= 31 Character	Default : "Kfsa-B 5XXXX" XXXX: address 4Bytes

Request Example

\$ADS2:TEST<CRLF>

Response

ERR10x : NG

OK : SUCCESS

Response Parameters

None

Response example

None

8.49. Get Device Name (ADG2)

Description

Gets the current device name.

Request Parameters

None

Request Example

\$ADG2<CRLF>

Response

ERR10x : NG

OK : SUCCESS

Response Parameters

Parameter Name	Value	Comments
Name	<= 31 Character	

Response example

\$ADG2:TEST<CRLF>

8.50. Set Advertising Data (ADS3)

Description

Sets the user manufacturer data that will be placed in the advertising PDU. The device name and ORIGINAL service UUID can also be included. Size restrictions apply, the advertising PDU can hold 28 bytes. Refer to the FUNCTIONAL SPECIFICATION 6.2.2 Advertising Data document for details regarding the PDU capacity.

Request Parameters

Parameter Name	Value	Comments
Data	ascii-formatted hex characters	Uses 2 bytes + data length
Include name	0 -> exclude name 1 -> include name	Uses 2 bytes + name length. Default : 1
Include UUID	0 -> exclude service UUID 1 -> include service UUID	Uses 18 bytes Default : 0

Request Example

```
$ADS3:54657374:0:1<CRLF>
```

Response

```
ERR10x : NG
```

```
OK : SUCCESS
```

Response Parameters

None

Response example

None

8.51. Get Advertising Data (ADG3)

Description

Returns the contents of the advertising PDU. The complete PDU is returned, as scanning devices will see it.

Request Parameters

None

Request Example

\$ADG3<CRLF>

Response

ERR10x : NG

OK : SUCCESS

Response Parameters

Parameter Name	Value	Comments
PDU Data	ascii-formatted hex	

Response example

\$ADG3:02010606FF3132333435<CRLF>

8.52. Set Scan Data (ADS4)

Description

Sets the user manufacturer data that will be placed in the advertising PDU. The device name and ORIGINAL service UUID can also be included. Size restrictions apply, the scan response PDU can hold 31 bytes as AD flags are not present. Refer to the FUNCTIONAL SPECIFICATION 6.2.2 Advertising Data document for details regarding the PDU capacity.

Request Parameters

Parameter Name	Value	Comments
Data	ascii-formatted hex characters	Uses 2 bytes + data length
Include name	0 -> exclude name 1 -> include name	Uses 2 bytes + name length.
Include UUID	0 -> exclude service UUID 1 -> include service UUID	Uses 18 bytes

Request Example

```
$ADS4:54657374:1:1<CRLF>
```

Response

```
ERR10x : NG
```

```
OK : SUCCESS
```

Response Parameters

None

Response example

None

8.53. Get Scan Data (ADG4)

Description

Returns the contents of the scan response PDU. The complete PDU is returned, as scanning devices will see it.

Request Parameters

None

Request Example

\$ADG4<CRLF>

Response

ERR10x : NG

OK : SUCCESS

Response Parameters

None

Response example

\$ADG4:02010608093132333435363738<CRLF>

8.54. Set Beacon Data (ADS5)

Description

Set the beacon mode data values.

Request Parameters

Parameter Name	Value	Comments
Proximity UUID	32 ascii-formatted hex characters	
Major	4 ascii-formatted hex characters	
Minor	4 ascii-formatted hex characters	
Power	0-128	Power is negative dBm in decimal

Request Example

```
$ADS5:ABCDABCDABCDABCDABCDABCDABCDABCD:0001:0002:100<CRLF>
```

Response

ERR10x : NG

OK : SUCCESS

Response Parameters

None

Response example

None

8.55. Get Beacon Data (ADG5)

Description

Returns the raw PDU data.

Request Parameters

None

Request Example

\$ADG5<CRLF>

Response

ERR10x : NG

OK : SUCCESS

Response Parameters

\$ADG5:0201061AFF4C000215ABCDABCDABCDABCDABCDABCDABCD000100029C<CRLF>

Beacon Part	Description
020106	Advertising flags
1AFF	Manufacturer Data identifier (length = 26 bytes)
4C00	Manufacturer Data company identifier (Apple)
0215	iBeacon identifier
Proximity UUID	Set by ADS5 command
Major	Set by ADS5 command
Minor	Set by ADS5 command
Measured Power	Set by ADS5 command (Hex)

8.56. Set Advertising Mode (ADS6)

Description

Sets the advertising mode the device will use.

Request Parameters

Parameter Name	Value	Comments
Mode	1 = (general) connectable 2 = (beacon) non-connectable	Default : 1

Request Example

\$ADS6:1 <CRLF>

Response

ERR10x : NG

OK : SUCCESS

Response Parameters

None

Response example

None

8.57. Get Advertising Mode (ADG6)

Description

Gets the advertising mode the device is using.

Request Parameters

Mode

Request Example

\$ADG6<CRLF>

Response

ERR10x : NG

OK : SUCCESS

Response Parameters

Parameter Name	Value	Comments
Mode	1 = (general) connectable 2 = (beacon) non-connectable	

Response example

\$ADG6:1<CRLF>

8.58. Reject Invalid Connection Parameters (ADS7)

Description

Enable/disable rejection of unacceptable connection parameters. When enabled, the device will disconnect if the central does not update the connection to acceptable parameters.

Request Parameters

Parameter Name	Value	Comments
Reject invalid parameters	0 -> Disable 1 -> Enable	

Request Example

\$ADS7:1<CRLF>

Response

ERR10x : NG

OK : SUCCESS

Response Parameters

None

Response example

None

8.59. Get Invalid Connection Rejection (ADG7)

Description

Gets the state of the rejection of unacceptable connection parameters.

Request Parameters

None

Request Example

\$ADG7<CRLF>

Response

ERR10x : NG

OK : SUCCESS

Response Parameters

Parameter Name	Value	Comments
Enable Flag	0 -> Disabled	
	1 -> Enabled	

Response example

\$ADG7:0<CRLF>

8.60. Set Factory Address Bytes (ADS9)

Description

Set the number of bytes of the factory address to include at the end of the advertising name.

Request Parameters

Parameter Name	Value	Comments
Count	[0-6]	Default : 2

Request Example

\$ADS9:2<CRLF>

Response

ERR10x : NG

OK : SUCCESS

Response Parameters

None

Response example

None

8.61. Get Factory Address Bytes (ADG9)

Description

Get the number of bytes of the factory address to include at the end of the advertising name.

Request Parameters

None

Request Example

None

Response

ERR10x : NG

OK : SUCCESS

Response Parameters

Parameter Name	Value	Comments
Count	[0-6]	

Response example

\$ADG9:2<CRLF>

9. Events

Events that might be generated by the system depending on the status of the system.

9.1. Boot/Application Start (BOOT)

Description

Sent after application has booted from reset. The parameter shows the status of the boot.

Parameters

Parameter Name	Value	Comments
Status	DFLT -> Boot success with default settings. OK -> Boot success with saved user settings ERRx -> Error occurred during boot, application will use defaults, refer to error codes for reason	

Example

\$EBOOT:DFLT<CRLF>

9.2. Advertising Start (ADVS)

Description

Advertising has started.

Parameters

None

Example

\$EADVS<CRLF>

9.3. Advertising Timeout (ADVT)

Description

Advertising has stopped after reaching the configured timeout.

Parameters

None

Example

\$EADVT<CRLF>

9.4. Connection Established (CONN)

Description

A connection was established. The parameter displays the address of the remote device.

Parameters

Parameter Name	Value	Comments
Address		

Example

\$ECONN:CB19F3AA2C17<CRLF>

9.5. Disconnection (DCON)

Description

The current connection was terminated. The parameter lists the reason code for the disconnection.

Parameters

Parameter Name	Value	Comments
Reason Code	refer to Bluetooth HCI status codes	

Example

```
$EDCON:19<CRLF>
```

9.6. Flash Operation Status (SAVE)

Description

A save operation has ended. The status parameter tells the result of the operation.

Parameters

Parameter Name	Value	Comments
Status	OK -> Flash operation completed successfully ERR -> Flash operation experienced an error. The user should retry the operation	

Example

```
$ESAVE:OK<CRLF>
```

9.7. Service Discovery (SDSC)

Description

Service discovery completed on the remote peripheral. The status parameter tells the result of the operation.

Parameters

Parameter Name	Value	Comments
Status	OK -> The ORIGINAL service and characteristics were discovered on the device NG -> The remote device is not compatible. The ORIGINAL service/characteristics were not found	

Example

\$ESDSC:OK<CRLF>

9.8. Connection Mode (MODE)

Description

Generated under two conditions.

1. Notifications on the connected peripheral's characteristic 0003 are enabled/disabled
2. The mode select IO pin is toggled (only while notifications are enabled)

Refer to the Fictional Specification for information on the modes.

Parameters

Parameter Name	Value	Comments
Mode	T -> Through Mode (Default) C -> Command Mode	

Example

```
$EMODE:T<CRLF>
```

9.9. Pairing (PAIR)

Description

Pairing status.

Parameters

Parameter Name	Value	Comments
Status	OK FAIL	

Example

```
$EPAIR:FAIL<CRLF>
```

9.10. Bonding (BOND)

Description

Bonding was successfully completed. The identity address of the remote device is displayed.

Parameters

Parameter Name	Value	Comments
Mac	ascii-formatted hex 12 characters	

Example

\$EBOND: EE87EA3E4160<CRLF>

9.11. All Bonds Deleted (DBND)

Description

Generated when flash operation is complete.

Parameters

Parameter Name	Value	Comments
Status	OK, Error	

Example

\$EDBND:OK<CRLF>

9.12. Individual Bonds Deleted (RBND)

Description

Generated when flash operation for specific address is complete.

Parameters

Parameter Name	Value	Comments
Status	OK, Error	

Example

\$ERBND:ERR<CRLF>

9.13. Display PassKey (PSKD)

Description

Generated during pairing. The passkey is required to be displayed to the user. This passkey will need to be entered on the remote device to complete pairing.

Parameters

Parameter Name	Value	Comments
Passkey	6 digits	

Example

\$EPSKD: 010203<CRLF>

9.14. Confirm PassKey (PSKC)

Description

Generated during pairing. The passkey is required to be displayed to the user. The user is required to input confirmation that the passkey matches the passkey displayed on the remote device. See the PSKC API function.

Parameters

Parameter Name	Value	Comments
Passkey	6 digits	

Example

\$ PSKC:010203<CRLF>

9.15. Input PassKey (PSKI)

Description

Generated during pairing. The user is required to input a 6 digit passkey using the PSKI API function. The remote device is responsible for displaying the passkey required for input.

Parameters

None

Example

\$EPSKI<CRLF>

9.16. Data Transmit Complete (BTTX)

Description

Generated when data is sent when the device is in command mode.

Parameters

None

Example

\$EBTTX<CRLF>

9.17. Data Received (BTRX)

Description

Generated when data is received when the device is in command mode.

Parameters

Parameter Name	Value	Comments
Length	0-244	
Data	characters	

Example

\$EBTRX:6:Kfsa-B<CRLF>

9.18. Low Power Mode Enabled (PWRL)

Description

Generated when the module enters power-save mode. While this mode is active, the UART interface will be unable to receive data. Data may still be transmitted from the module (events, reception of data).

Parameters

NA

Example

```
$EPWRL<CRLF>
```

9.19. Low Power Mode Disabled (PWRH)

Description

Generated when the module exits power-save mode. Full UART transmission and reception will be available.

Parameters

NA

Example

```
$ EPWRH <CRLF>
```

9.20. Deep Sleep Mode Enable (SHDN)

Description

Notifies you when you enter Deep Sleep Mode.

I / F communication is not possible.

Parameters

NA

Example

\$ESHDN<CRLF>

10. Error Codes

The table below lists the error codes that may be produced during use of the EC2820MA2 application firmware.

Code	Error	Description
ERR101	PARAM_COUNT	Incorrect number of input parameters supplied to an API command
ERR102	PARAM_VALUE	An invalid value was supplied to an API function
ERR103	PARAM_LENGTH	The length of an input argument is invalid
ERR104	INVALID_STATE	The device is in an invalid state for the requested operation - Attempting to modify a configuration setting while the device is advertising/scanning/connected - Attempting to send data while notifications are not enabled or no Bluetooth low energy connection is established
ERR105	UNKNOWN_COMMAND	An invalid function code was supplied
ERR107	INTERNAL	A software error occurred
ERR108	SECURITY_LEVEL	The device is busy performing another operation - Attempting to set a security level (3+) that requires MITM without setting appropriate IO capabilities - Attempting to set IO capabilities to NONE while the security level requires MITM (3+)
ERR109	BUSY	The device is busy performing another operation - SEND commands while transmit buffers are full - Performing a flash based operation (SAVE) while another is in progress
ERR110	NOT_SUPPORTED	The API function is not available on this board.
ERR111	INVALID_CONFIGURATION	A feature was attempted to be enabled with invalid parameters configured. (e.g. filter configurations)

Precautions

- Please conduct validation and verification of our products in actual condition of mounting and operating environment before using our products.
- The products listed in this Specification are intended for use in general electronic equipment (e.g., AV equipment, OA equipment, home electric appliances, office equipment, information and communication equipment including, without limitation, mobile phone, and PC). Please be sure to contact KAGA FEI for further information before using the products for any equipment which may directly cause loss of human life or bodily injury (e.g., transportation equipment including, without limitation, automotive powertrain control system, train control system, and ship control system, traffic signal equipment, disaster prevention equipment, medical equipment classified as Class I, II or III by IMDRF, highly public information network equipment including, without limitation, telephone exchange, and base station).
Please do not incorporate our products into any equipment requiring high levels of safety and/or reliability (e.g., aerospace equipment, aviation equipment, medical equipment classified as Class IV by IMDRF, nuclear control equipment, undersea equipment, military equipment).
When our products are used even for high safety and/or reliability-required devices or circuits of general electronic equipment, it is strongly recommended to perform a thorough safety evaluation prior to use of our products and to install a protection circuit as necessary.
Please note that unless you obtain prior written consent of KAGA FEI, KAGA FEI shall not be in any way responsible for any damages incurred by you or third parties arising from use of the products listed in this Specification for any equipment requiring inquiry to KAGA FEI or prohibited for use by KAGA FEI as described above.
- Information contained in this Specification is intended to convey examples of typical performances and/or applications of our products and is not intended to make any warranty with respect to the intellectual property rights or any other related rights of KAGA FEI or any third parties nor grant any license under such rights.
- Please note that the scope of warranty for our products is limited to the delivered our products themselves and KAGA FEI shall not be in any way responsible for any damages resulting from a fault or defect in our products.
- The contents of this Specification are applicable to our products which are purchased from our sales offices or authorized distributors (hereinafter "KAGA FEI's official sales channel"). Please note that the contents of this specification are not applicable to our products purchased from any seller other than KAGA FEI's official sales channel.
- The contents of this Specification are applied in preference to any agreement between you and KAGA FEI or KAGA FEI's official sales channel (e.g., supply and purchase agreement, quality assurance agreement).
- You will have deemed accepted the contents of this Specification upon usage of our products.
- Caution for Export
Some of our products listed in this specification may require specific procedures for export according to "U.S. Export Administration Regulations" and other applicable regulations.