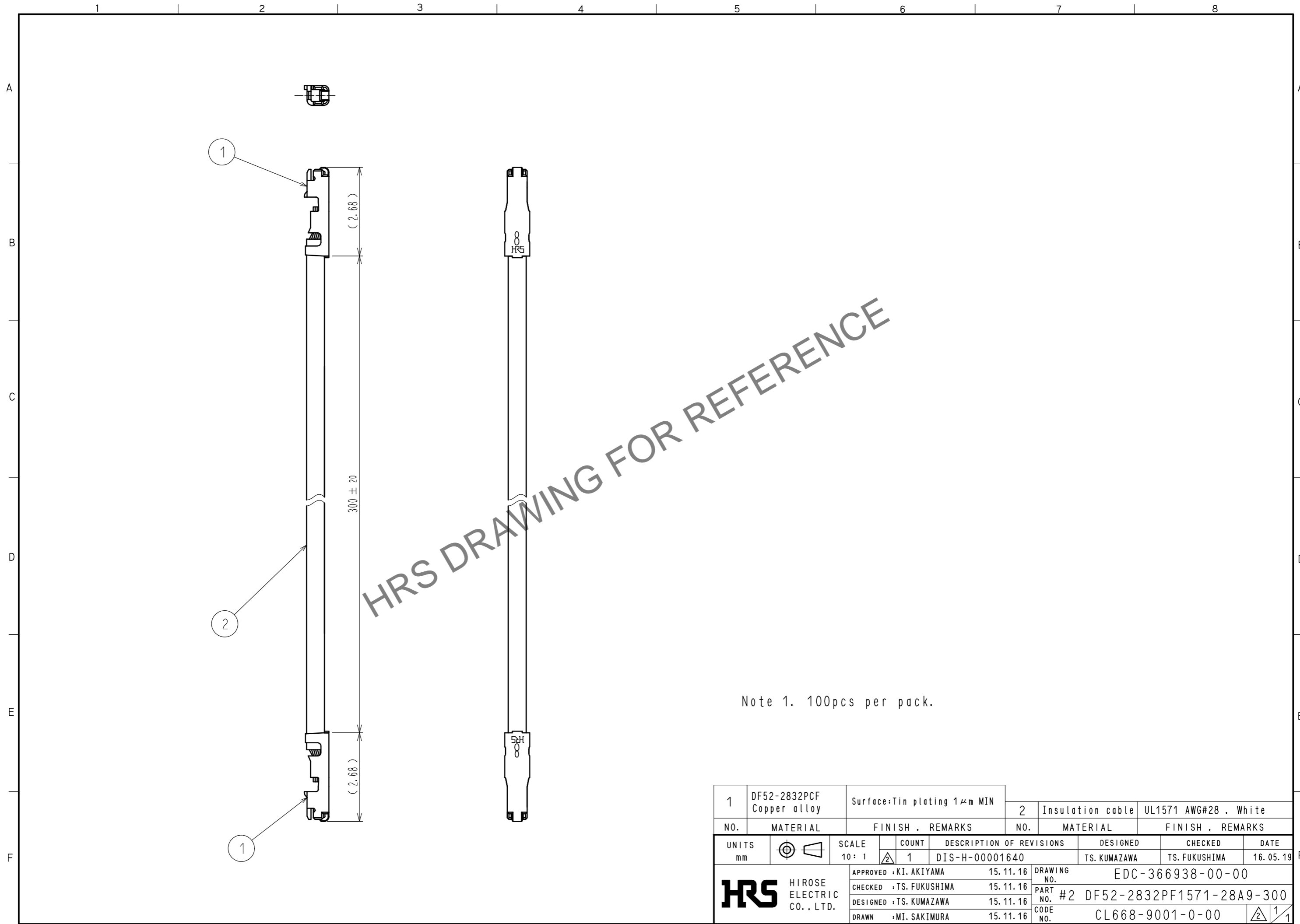


Mar.1.2026 Copyright 2026 HIROSE ELECTRIC CO., LTD. All Rights Reserved.  
 In case of consideration for using Automotive equipment / device which demand high reliability, kindly contact our sales window correspondents.



Note 1. 100pcs per pack.

1	DF52-2832PCF Copper alloy	Surface: Tin plating 1μm MIN	2	Insulation cable	UL1571 AWG#28 . White
NO.	MATERIAL	FINISH . REMARKS	NO.	MATERIAL	FINISH . REMARKS
UNITS mm		SCALE 10: 1	COUNT 1	DESCRIPTION OF REVISIONS	
				DESIGNED TS. KUMAZAWA	CHECKED TS. FUKUSHIMA
				DATE 16. 05. 19	
<b>HRS</b> HIROSE ELECTRIC CO., LTD.		APPROVED : KI. AKIYAMA	15. 11. 16	DRAWING NO. EDC-366938-00-00	
		CHECKED : TS. FUKUSHIMA	15. 11. 16	PART NO. #2 DF52-2832PF1571-28A9-300	
		DESIGNED : TS. KUMAZAWA	15. 11. 16	CODE NO. CL668-9001-0-00	
		DRAWN : MI. SAKIMURA	15. 11. 16		