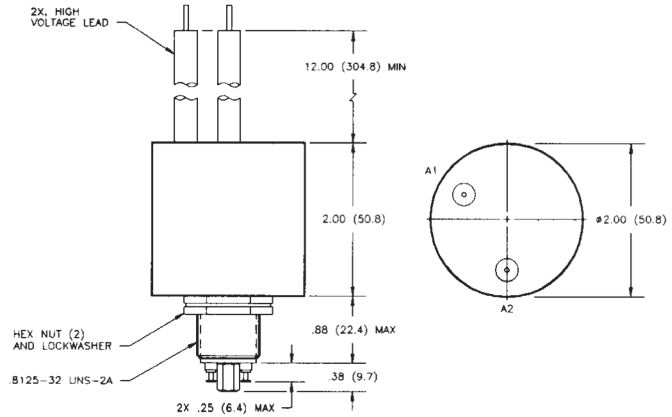


## K62 Series Make & Break Load Switching — 25 kV Relays

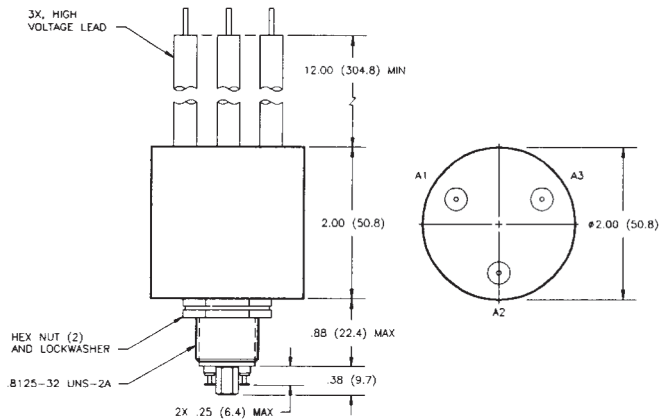
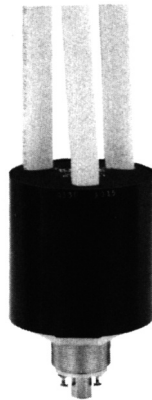
### K62A and K62B Product Facts

- 25 kV relay with flying leads for ease of installation
- Vacuum dielectric and tungsten contacts for power switching low current loads
- Meets requirements of MIL-R-83725



### K62C Product Facts

- SPDT version of K62
- Vacuum dielectric for power switching low current loads
- Carries 18 Amps continuous current
- Meets requirements of MIL-R-83725



### Product Specifications for K62A, K62B and K62C

#### Contact Arrangement —

K62A — SPST-NO  
K62B — STST-NC  
K62C — SPDT

#### Contact Form —

K62A — A  
K62B — B  
K62C — C

**Test Voltage, DC or 60 Hz (Peak)** — 30 kV

**Rated Operating Voltage (Peak)** — DC or 60 Hz — 25 kV

#### Continuous Carry Current, Max. —

DC or 60 Hz — 18 A  
Coil Hi-Pot (Vrms, 60 Hz) — 500 A

**Contact Resistance, Max.** — 0.50 ohm

**Operate Time, Max.** — 15 ms

**Release Time, Max.** — 15 ms

For factory-direct application assistance, dial 800-253-4560, ext. 2055, or 805-220-2055.

**Shock, 11ms, 1/2 Sine (Peak)** — 20 g

**Vibration** — Peak — 10 g (55 to 500 Hz)

**Operating Ambient Temperature Range** — -55°C to +85°C

**Mechanical Life** — 1 million cycles

**Weight, Nominal** — 340 g (12 oz.)

### Coil Data

Volts, Nominal DC	12 V	26.5 V	115 V
Pickup, Max.	9 Vdc	18 Vdc	90 Vdc
Dropout	.5-5 Vdc	1-10 Vdc	5-55 Vdc
Coil Resistance (±10%)	30 Ω	125 Ω	2400 Ω

Ratings listed are for 25°C, sea level conditions

### Ordering Information

**Sample Part Number** ▶ **K62 A 7 4 1**

**Series:** \_\_\_\_\_

**Contact Form:** \_\_\_\_\_  
A = SPST-NO    B = SPST-NC    C = SPDT

**Coil Voltage:** \_\_\_\_\_  
7 = 12 Vdc, Turret Terminal  
8 = 26.5 Vdc, Turret Terminal  
9 = 115 Vdc, Turret Terminal

**High Voltage Connections:** \_\_\_\_\_  
4 = Flying Leads, 12"  
7 = Flying Leads, 72"  
8 = Flying Leads, 36"

**Mounting:** \_\_\_\_\_  
1 = Threaded