

# Customer Information Sheet

DRAWING No.: M80-828XXXX

IF IN DOUBT - ASK

©

NOT TO SCALE

THIRD ANGLE PROJECTION

ALL DIMENSIONS IN mm

**SPECIFICATIONS:**

**MATERIAL:**  
 MOULDING = G-F PPS UL94V-0, BLACK  
 CONTACTS = PHOSPHOR BRONZE

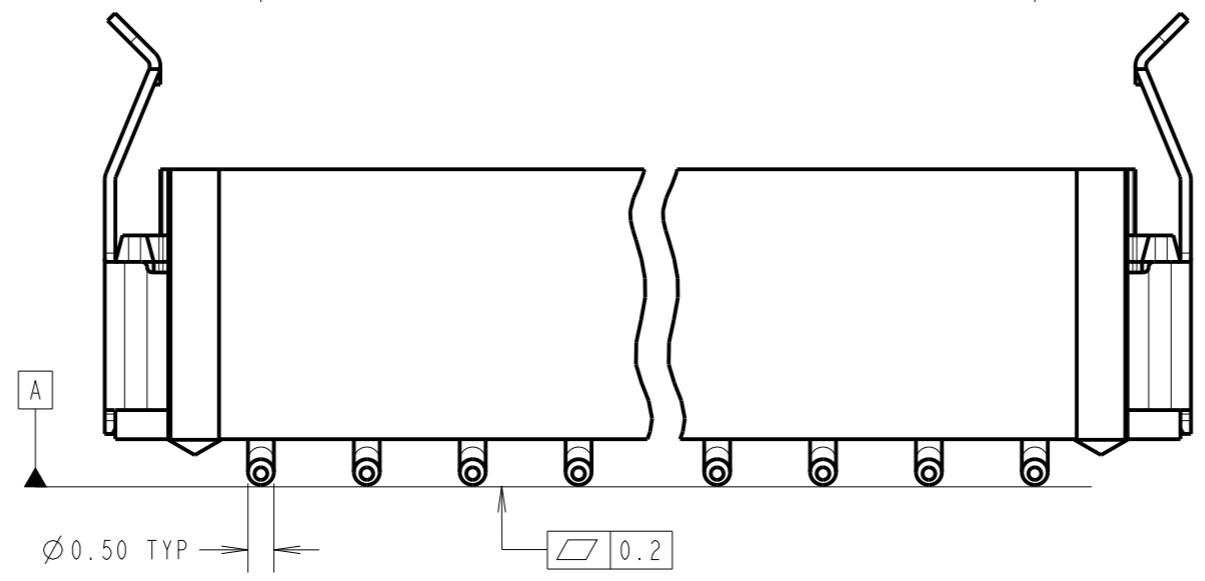
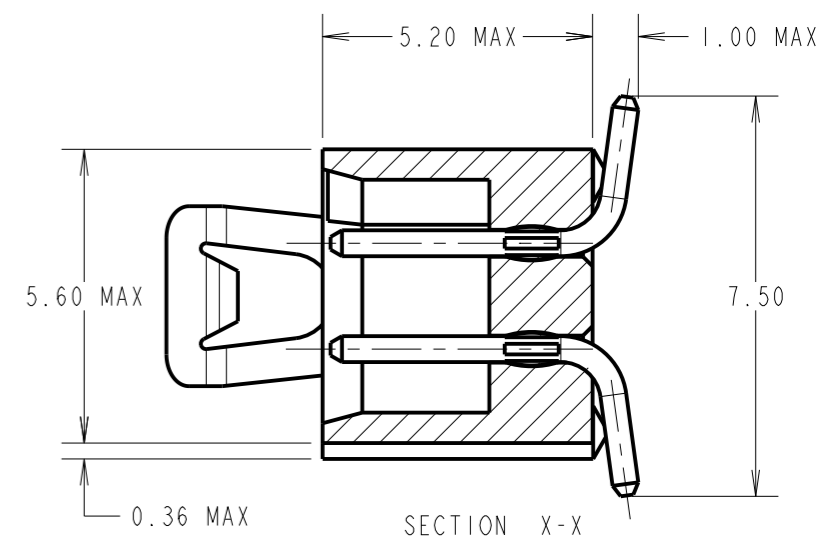
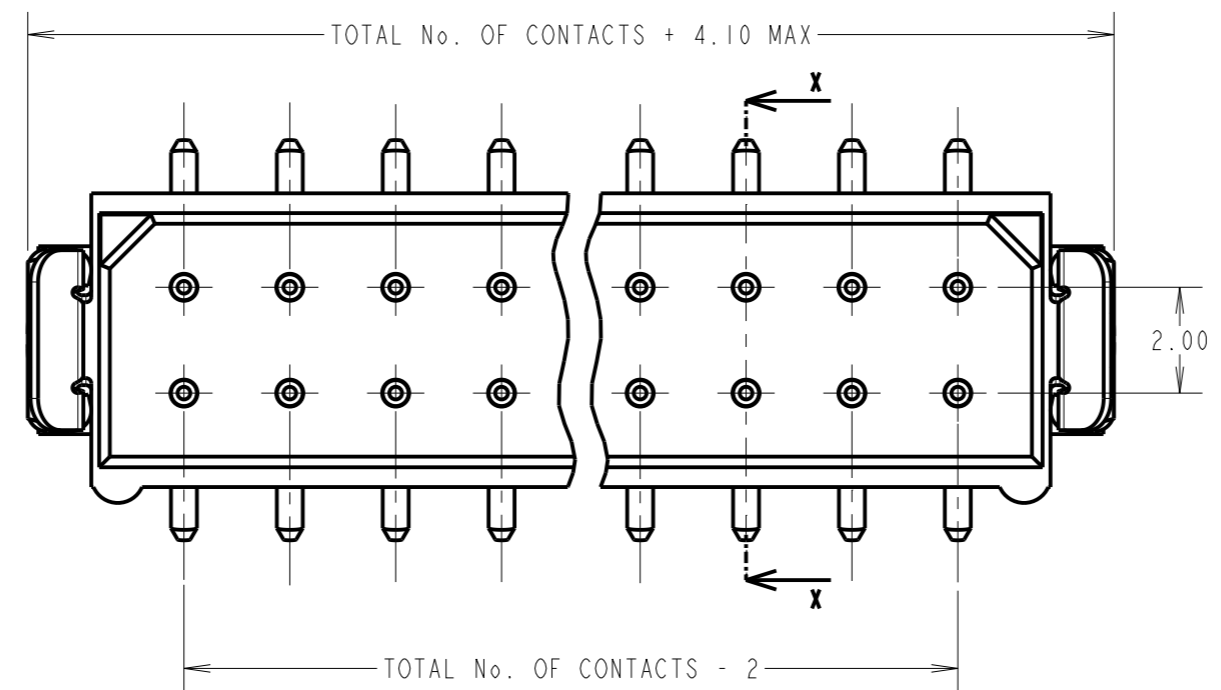
**FINISH:**

**CONTACTS:**  
 ALL FINISHES = NICKEL UNDERCOAT  
 22 = 0.75µm GOLD ON CONTACT AREA,  
 3.0µm 90/10 TIN/LEAD ON TAILS  
 42 = 0.75µm GOLD ON CONTACT AREA,  
 3.0µm 100% TIN ON TAILS  
 45 = 0.75µm GOLD ALL OVER

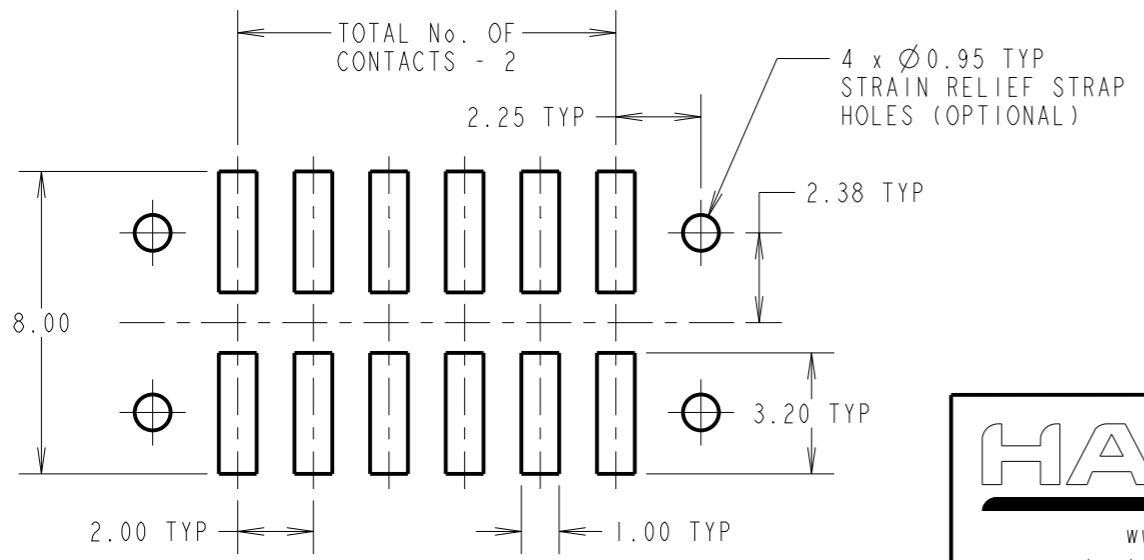
**LATCH = 1.25µm NICKEL**

**PACKING:**  
 TUBE

FOR COMPLETE SPECIFICATION, SEE COMPONENT SPECIFICATION C005XX (LATEST ISSUE)



RECOMMENDED PCB LAYOUT  
 TOLERANCE ±0.05mm



NOTES:  
 1.2-OFF STRAIN-RELIEF STRAPS M80-0030006  
 MAY BE USED WITH THIS CONNECTOR.

ORDER CODE:  
**M80-828XXXX**

TOTAL No. OF CONTACTS: \_\_\_\_\_  
 04, 06, 08, 10, 12, 14,  
 16, 18, 20, 26, 34

FINISH: \_\_\_\_\_  
 22 - SELECTIVE GOLD + TIN/LEAD  
 42 - SELECTIVE GOLD + 100% TIN  
 45 - GOLD

MGP	16	10.03.22	31413
NAME	ISS.	DATE	CN/CO
APPROVED: MGP			
CHECKED: RA			
DRAWN: A.LIOTTA			
CUSTOMER REF.:			
ASSEMBLY DRG:			

**HARWIN**

www.harwin.com  
 technical@harwin.com

THIS DRAWING AND ANY INFORMATION OR DESCRIPTIVE MATTER SET OUT HEREON ARE CONFIDENTIAL AND COPYRIGHT PROPERTY OF THE HARWIN GROUP AND MUST NOT BE DISCLOSED, LOANED, COPIED OR USED FOR MANUFACTURING, TENDERING OR FOR ANY OTHER PURPOSE WITHOUT THEIR WRITTEN PERMISSION.

**TOLERANCES**  
 X. = ±1mm  
 X.X = ±0.50mm  
 X.XX = ±0.20mm  
 X.XXX = ±0.01mm  
 ANGLES = ±5°  
 UNLESS STATED

**MATERIAL:**  
 SEE ABOVE

**FINISH:**  
 SEE ABOVE

**S/AREA:**  
 mm<sup>2</sup>

**TITLE:**  
 DATAMATE L-TEK  
 MALE DIL VERTICAL SMT  
 ASSEMBLY - LATCHED

**DRAWING NUMBER:**  
**M80-828XXXX**

SHT  
 2 OF 2