

| REVISIONS | | | | |
|-----------|-----|----------------------------|-----------|-------|
| P | LTN | DESCRIPTION | DATE | APVD |
| A | | RELEASED PER ECN-26-379582 | 20APR2026 | AW MM |

NOTES:

- 1. MATERIALS AND FINISH:
 - HOUSING: PBT, COLOR: BLACK
 - MOUNT: PBT, COLOR: BLACK
 - RECEPTACLE CONTACTS: COPPER ALLOY, FINISH: Sn OVER Ni
 - HINGE LOCK SCREWS: 18-8 STAINLESS STEEL, M3.5x13 THREAD FORMING
 - CAP: PBT, COLOR: BLACK
 - PCBA: FR-4
 - CABLE: PVC JACKET AND CONDUCTOR INSULATION, STRANDED COPPER CONDUCTORS
- 2. MUST COMPLY WITH DIRECTIVE 2002/95/EC (ROHS).
- 3. WIRE SIZE: 0.75MM², 3-CONDUCTOR CABLE, cUR AWM 2517, 105°C, 300V, SUNLIGHT RESISTANT, VW-1, CE
 PURPLE: DA+
 GRAY: DA- / GND
 RED: 24V AUX
- 4. HOUSING ASSEMBLY (REF P/N: 2465542-X), SHIPPED BULK LAYER PACKAGED
- 5. MOUNT (REF P/N: 2465545-X OR 2465547-1) NOT ASSEMBLED, BAGGED SEPARATELY.
- 6. HINGE LOCK SCREWS NOT ASSEMBLED, BAGGED IN HARDWARE KIT. SINGLE USE ONLY, TO BE USED FOR:
 -RETAINING HOUSING ONTO MOUNT
 -ADJUSTING TILT LEVEL ON HOUSING (POLE MOUNTED VARIANTS ONLY)
- 7. THIS PRODUCT HAS NOT COMPLETED VALIDATION TESTING.
- 8. MOUNTING SCREWS INCLUDED IN BAGGED HARDWARE KIT.
- 9. ZHAGA BOOK 18 COMPLIANT.

| | | | | | |
|-------------|------------------------------|--|----------------------------|-------------|----------|
| 1500 ± 55.0 | POLE INTERIOR, WALL EXTERIOR | POLE 50-100MM, POLE 100-200MM, WALL ALL INCLUDED | UPPER AND LOWER RECEPTACLE | 9-2465542-9 | 22 |
| 6000 ± 55.0 | POLE INTERIOR, WALL EXTERIOR | POLE 50-100MM, POLE 100-200MM, WALL ALL INCLUDED | UPPER AND LOWER RECEPTACLE | 9-2465542-8 | 21 |
| 6000 ± 55.0 | WALL EXTERIOR | WALL | UPPER AND LOWER RECEPTACLE | 5-2465542-5 | 20 |
| 1500 ± 15.0 | WALL EXTERIOR | WALL | LOWER RECEPTACLE ONLY | 5-2465542-3 | 19 |
| 1500 ± 15.0 | WALL EXTERIOR | WALL | UPPER RECEPTACLE ONLY | 5-2465542-2 | 18 |
| 1500 ± 15.0 | WALL EXTERIOR | WALL | UPPER AND LOWER RECEPTACLE | 5-2465542-1 | 17 |
| 6000 ± 55.0 | POLE EXTERIOR | POLE, 100-200MM | UPPER AND LOWER RECEPTACLE | 4-2465542-5 | 16 |
| 1500 ± 15.0 | POLE EXTERIOR | POLE, 100-200MM | LOWER RECEPTACLE ONLY | 4-2465542-3 | 15 |
| 1500 ± 15.0 | POLE EXTERIOR | POLE, 100-200MM | UPPER RECEPTACLE ONLY | 4-2465542-2 | 14 |
| 1500 ± 15.0 | POLE EXTERIOR | POLE, 100-200MM | UPPER AND LOWER RECEPTACLE | 4-2465542-1 | 13 |
| 6000 ± 55.0 | POLE INTERIOR | POLE, 100-200MM | UPPER AND LOWER RECEPTACLE | 3-2465542-5 | 12 |
| 1500 ± 15.0 | POLE INTERIOR | POLE, 100-200MM | LOWER RECEPTACLE ONLY | 3-2465542-3 | 11 |
| 1500 ± 15.0 | POLE INTERIOR | POLE, 100-200MM | UPPER RECEPTACLE ONLY | 3-2465542-2 | 10 |
| 1500 ± 15.0 | POLE INTERIOR | POLE, 100-200MM | UPPER AND LOWER RECEPTACLE | 3-2465542-1 | 9 |
| 6000 ± 55.0 | POLE EXTERIOR | POLE, 50-100MM | UPPER AND LOWER RECEPTACLE | 2-2465542-5 | 8 |
| 1500 ± 15.0 | POLE EXTERIOR | POLE, 50-100MM | LOWER RECEPTACLE ONLY | 2-2465542-3 | 7 |
| 1500 ± 15.0 | POLE EXTERIOR | POLE, 50-100MM | UPPER RECEPTACLE ONLY | 2-2465542-2 | 6 |
| 1500 ± 15.0 | POLE EXTERIOR | POLE, 50-100MM | UPPER AND LOWER RECEPTACLE | 2-2465542-1 | 5 |
| 6000 ± 15.0 | POLE INTERIOR | POLE, 50-100MM | UPPER AND LOWER RECEPTACLE | 1-2465542-5 | 4 |
| 1500 ± 15.0 | POLE INTERIOR | POLE, 50-100MM | LOWER RECEPTACLE ONLY | 1-2465542-3 | 3 |
| 1500 ± 15.0 | POLE INTERIOR | POLE, 50-100MM | UPPER RECEPTACLE ONLY | 1-2465542-2 | 2 |
| 1500 ± 15.0 | POLE INTERIOR | POLE, 50-100MM | UPPER AND LOWER RECEPTACLE | 1-2465542-1 | 1 |
| DIM "A" | CABLE ROUTE | MOUNT TYPE | HOUSING ASSEMBLY TYPE | KIT NUMBER | ITEM NO. |

THIS DRAWING IS A CONTROLLED DOCUMENT. DWG: A.WESTBROOK 05MAR2024
 CHK: M.MOSTOLLER 05MAR2024
 APVD: M.MOSTOLLER 05MAR2024

TE Connectivity
LUMAWISE ENDURANCE BRIDGE

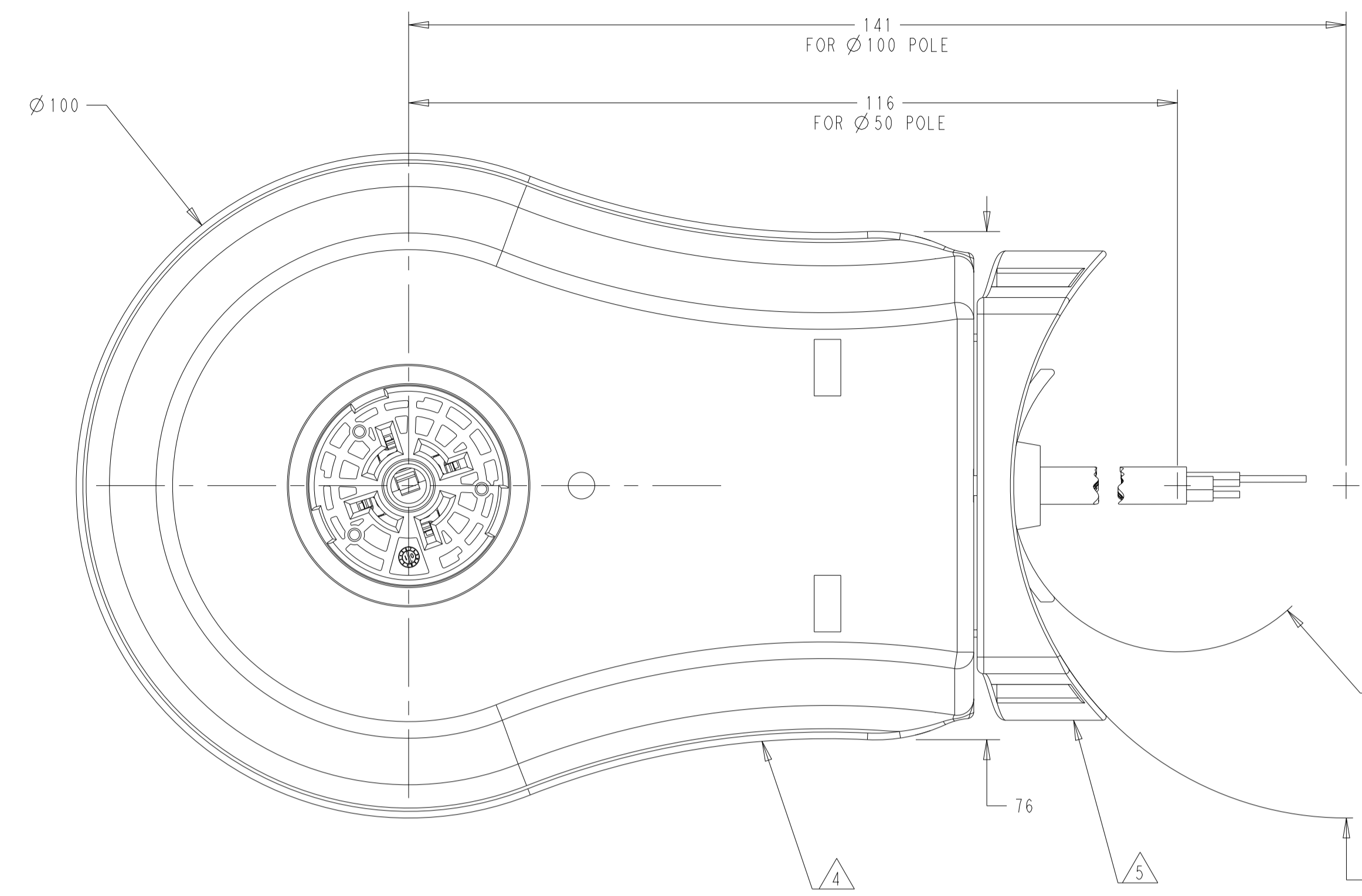
NAME: LUMAWISE ENDURANCE BRIDGE
 PRODUCT SPEC: 108-161586
 APPLICATION SPEC: 114-161163

SIZE: A | CAGE CODE: 00779 | DRAWING NO: 2465542
 RESTRICTED TO: A

MATERIAL: -
 FINISH: -
 WEIGHT: -
 CUSTOMER DRAWING

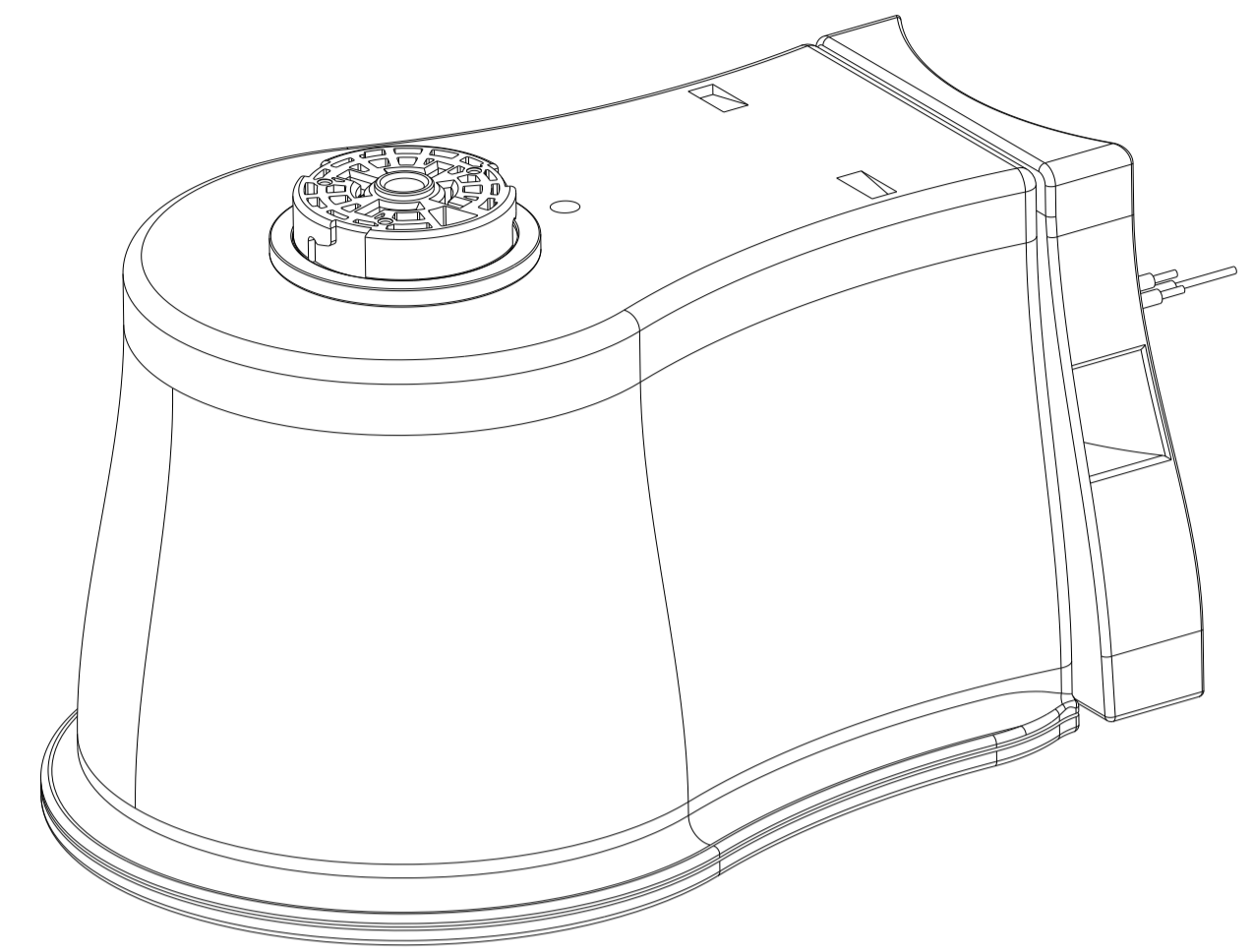
SCALE: 1:1 | SHEET: 1 OF 3 | REV: A

| REVISIONS | | | | |
|-----------|-----|-------------|------|------|
| P | LTN | DESCRIPTION | DATE | APVD |
| - | - | SEE SHEET 1 | - | - |
| | | | | |
| | | | | |



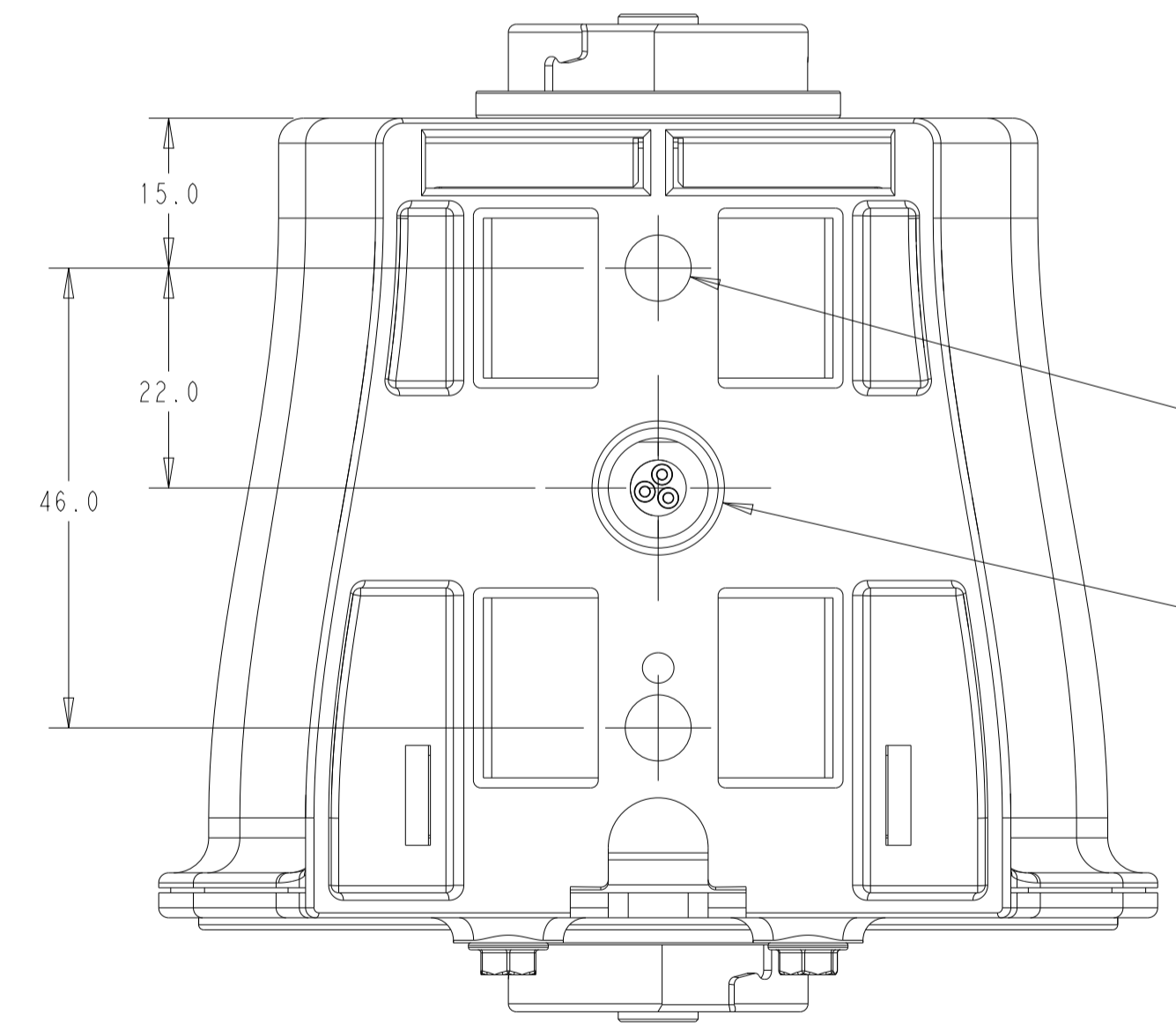
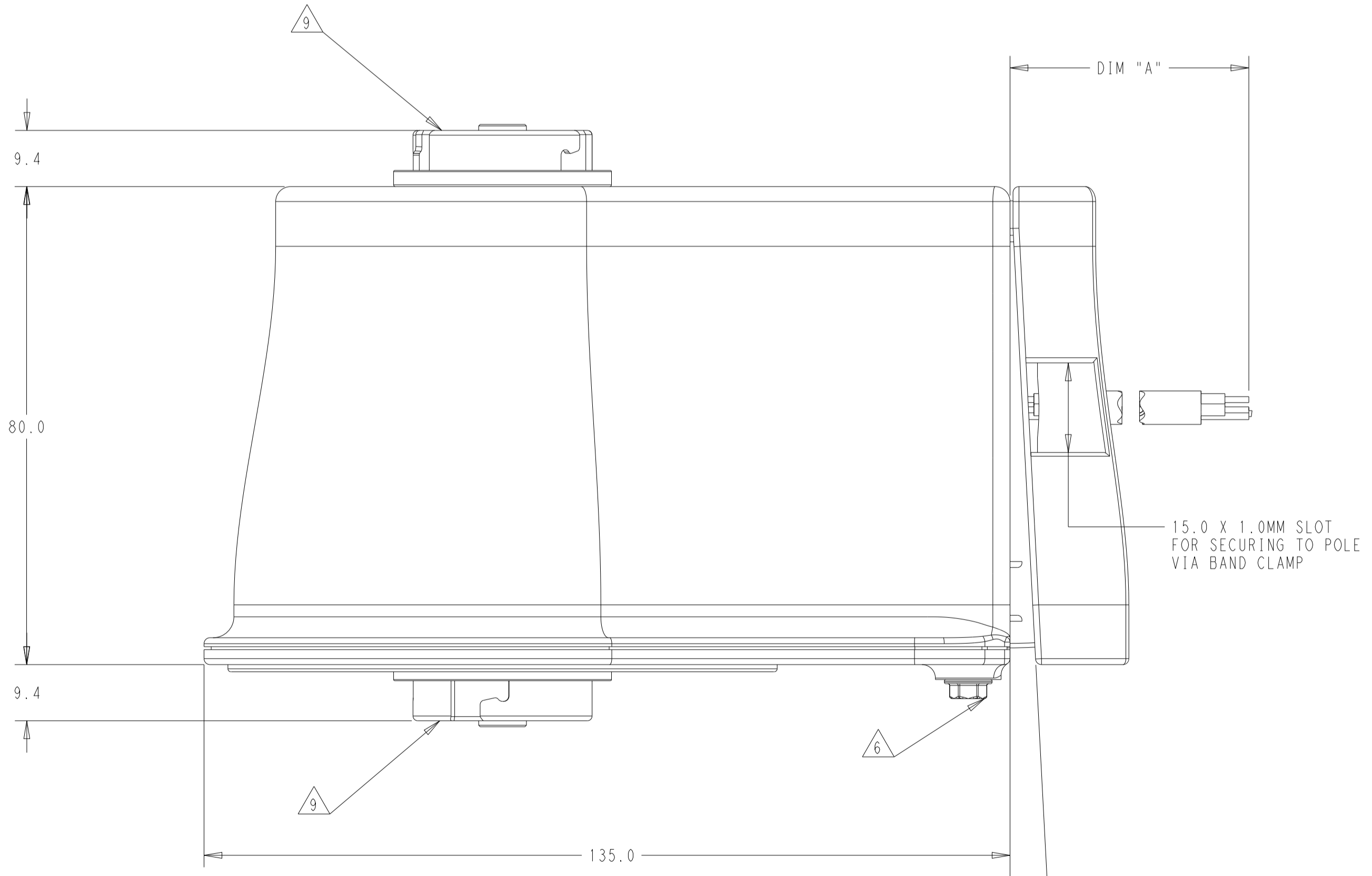
Ø 50.0 MIN. RECOMMENDED POLE SIZE FOR 1-, 2-, & 9-2465542-X
 Ø 100 MIN. RECOMMENDED POLE SIZE FOR 3- & 4-2465542-X

Ø 100 MAX. RECOMMENDED POLE SIZE FOR 1- & 2-2465542-X
 Ø 200 MAX. RECOMMENDED POLE SIZE FOR 3-, 4-, & 9-2465542-X



SCALE 1:1

1- & 3-2465542-1 SHOWN

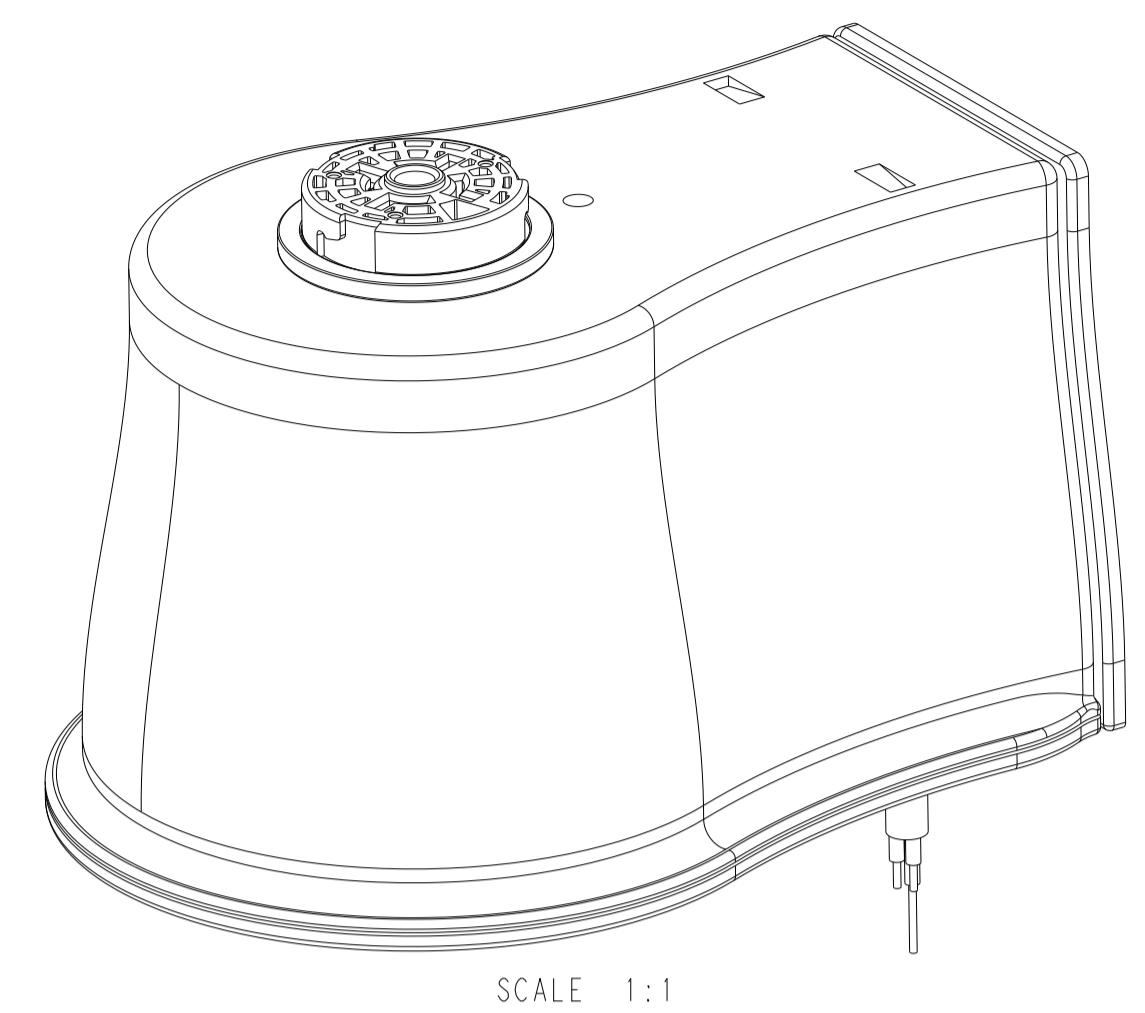
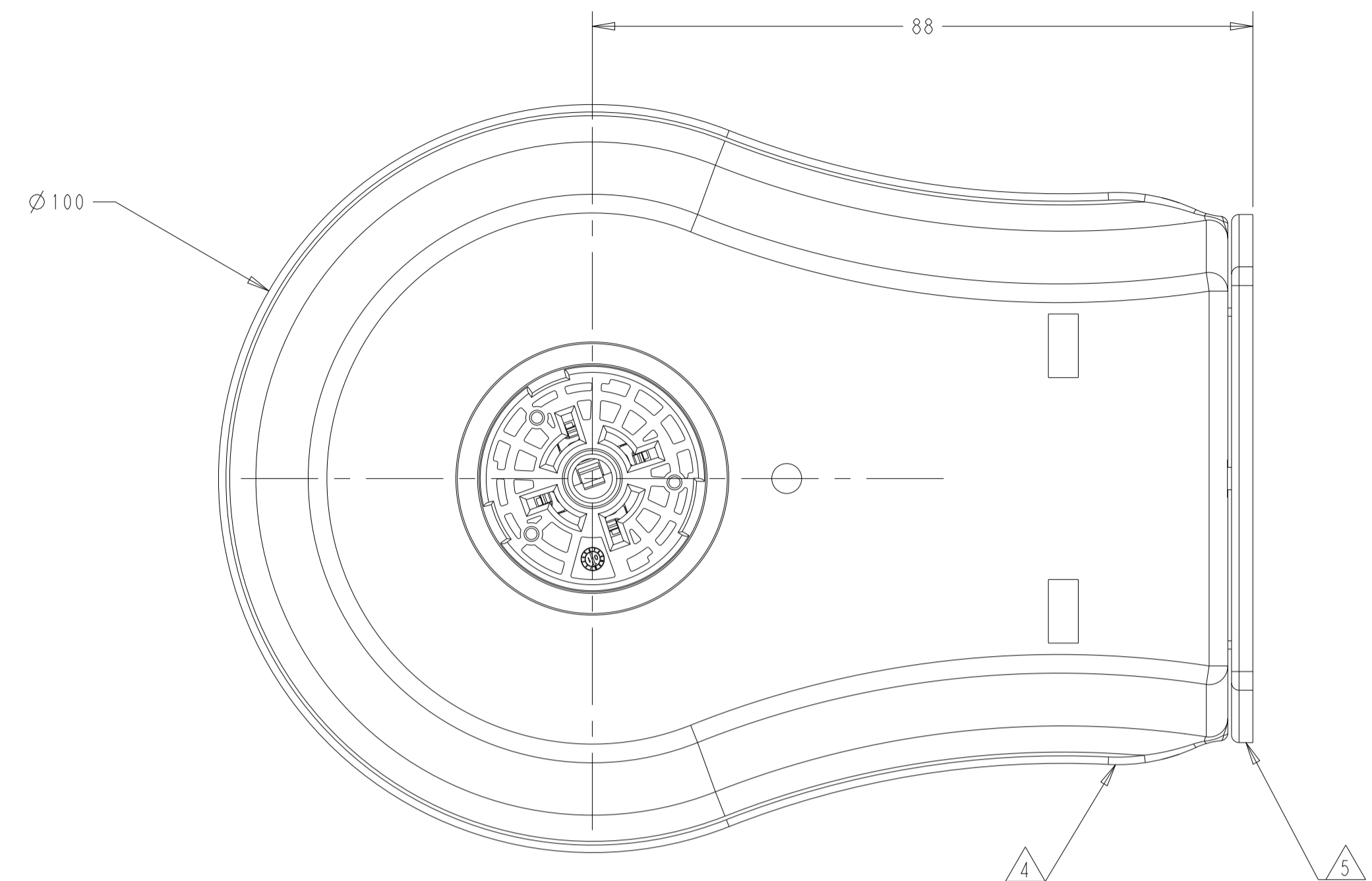


UP TO 3° POLE TAPER COMPENSATION

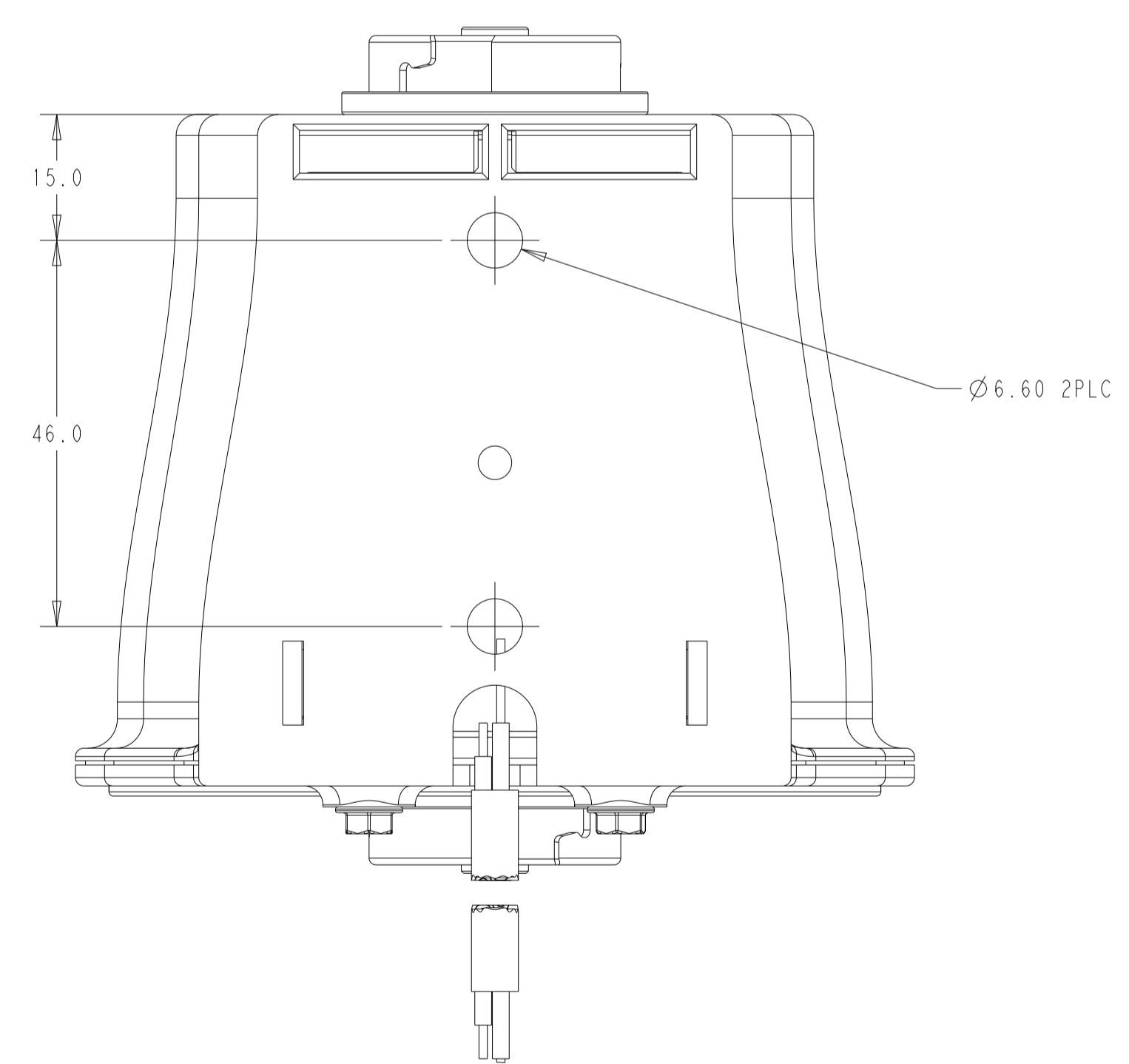
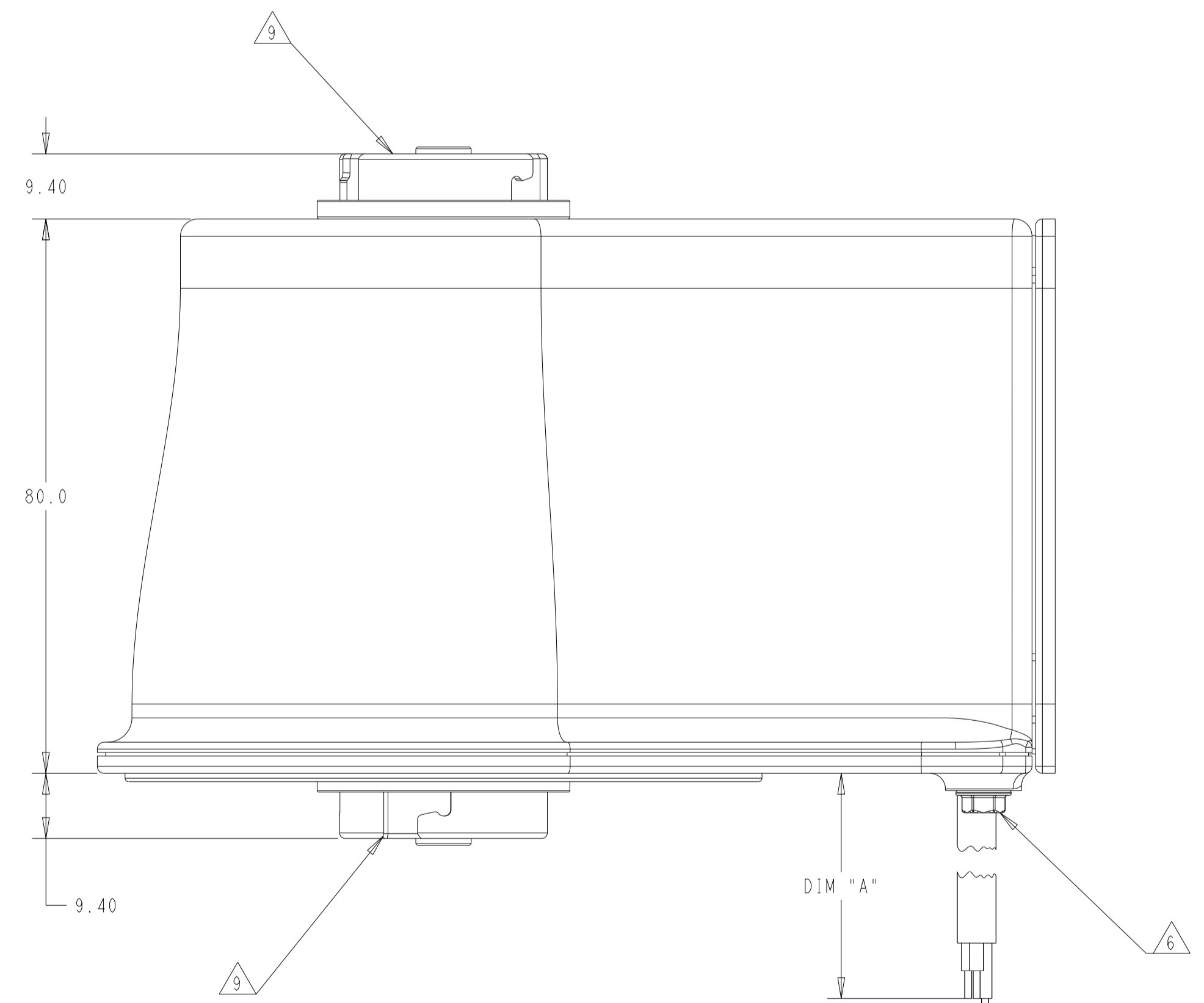
THIS SHEET SHOWN WITHOUT SEALING CAPS

| | | | |
|--|-------------|------------------------------|---------------------------------|
| THIS DRAWING IS A CONTROLLED DOCUMENT. | | OWN: A. WESTBROOK 05MAR2024 | |
| DIMENSIONS: mm | | CHK: M. MOSTOLLER 05MAR2024 | |
| TOLERANCES UNLESS OTHERWISE SPECIFIED: | | APVD: M. MOSTOLLER 05MAR2024 | NAME: LUMAWISE ENDURANCE BRIDGE |
| 0 PLC ±1.0 | 1 PLC ±0.5 | PRODUCT SPEC | SIZE: 108-161586 |
| 2 PLC ±0.25 | 3 PLC ± | APPLICATION SPEC | RESTRICTED TO |
| 4 PLC ± | ANGLES ±0.5 | 114-161163 | SCALE: 3:2 |
| MATERIAL: | FINISH: | WEIGHT: | SHEET 2 OF 3 |
| CUSTOMER DRAWING | | 00779 ©=2465542 | REV A |

| REVISIONS | | | | |
|-----------|-----|-------------|------|------|
| P | LTN | DESCRIPTION | DATE | APVD |
| - | | SEE SHEET 1 | - | - |
| | | | | |
| | | | | |



5-2465542-1 SHOWN



THIS SHEET SHOWN WITHOUT SEALING CAPS

| | | | |
|--|--|--|---|
| THIS DRAWING IS A CONTROLLED DOCUMENT. | | DWN: A.WESTBROOK 05MAR2024 CHK: M.MOSTOLLER 05MAR2024 APVD: M.MOSTOLLER 05MAR2024 | |
| DIMENSIONS: mm TOLERANCES UNLESS OTHERWISE SPECIFIED: 0 PLC ±1.0 1 PLC ±0.5 2 PLC ±0.25 3 PLC ± 4 PLC ± ANGLES ± FINISH ±0.5 | | NAME: LUMAWISE ENDURANCE BRIDGE PRODUCT SPEC: 108-161586 APPLICATION SPEC: 114-161163 | |
| MATERIAL: | | SIZE: A 00779 CAGE CODE: C=2465542 DRAWING NO: 114-161163 WEIGHT: - CUSTOMER DRAWING | RESTRICTED TO: - SCALE: 3:2 SHEET: 3 OF 3 REV: A |