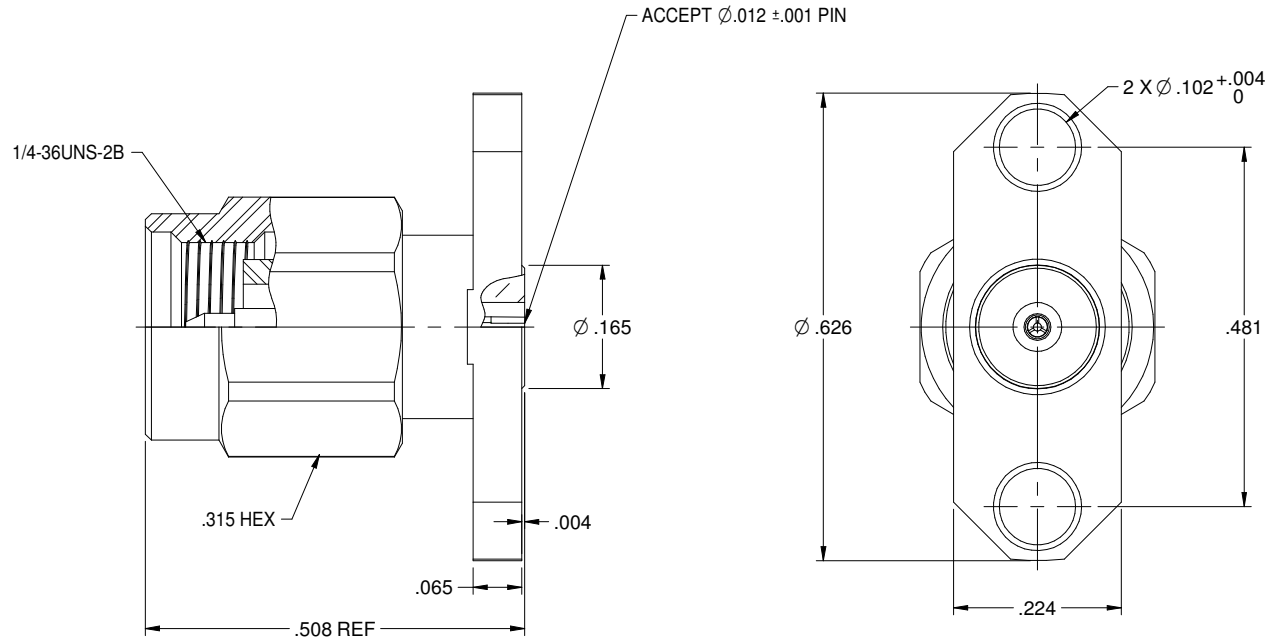


PART NUMBER	ITEM ① BODY	ITEM ② CONTACT	ITEM ③ INSULATOR	ITEM ④ NUT	ITEM ⑤ GASKET
145-0801-602	STAINLESS STEEL PASSIVATED	BERYLLIUM COPPER GOLD PL .00004 MIN OVER NICKEL PL.00005 MIN OVER COPPER PL.00005 MIN	ULTEM 1000	STAINLESS STEEL PASSIVATED	SILICONE

REV	ECO	DATE
1	ECO-17-0010	4/10/2017



SPECIFICATION:

ELECTRICAL:

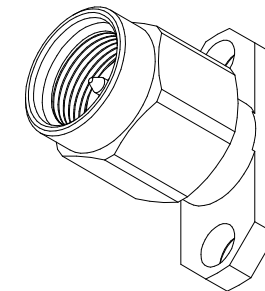
IMPEDANCE: 50 OHMS
 FREQUENCY RANGE: 0-40 GHz
 VSWR: 1.2 MAX.
 WORKING VOLTAGE: 250 VRMS MAX AT SEA LEVEL
 DIELECTRIC WITHSTANDING VOLTAGE: 750 VRMS MIN AT SEA LEVEL
 INSULATION RESISTANCE: 5000 MEGOHM MIN
 CONTACT RESISTANCE:
 CENTER CONTACT - INITIAL 3 MILLIOHM MAX, AFTER ENVIRONMENTAL NOT APPLICABLE
 OUTER CONDUCTOR - INITIAL 2 MILLIOHM MAX, AFTER ENVIRONMENTAL NOT APPLICABLE
 RF LEAKAGE: -90dB TYPICAL AT 2.5GHz

MECHANICAL:

ENGAGEMENT/DISENGAGEMENT FORCE: 2 INCH-POUNDS MAX
 CONTACT RETENTION: 6 LBS MIN AXIAL FORCE
 MATING TORQUE: 7 TO 10 INCH-POUNDS
 DURABILITY: 500 CYCLES MIN

ENVIRONMENTAL:

OPERATING TEMPERATUR: -40 TO 85 °C
 THERMAL SHOCK: MIL-STD-202, METHOD 107, CONDITION B
 CORROSION: MIL-STD-202, METHOD 101, CONDITION B
 SHOCK: MIL-STD-202, METHOD 213, CONDITION I
 VIBRATION: MIL-STD-202, METHOD 204, CONDITION D
 MOISTURE RESISTANCE: MIL-STD-202, MEHTOD 106



	SEE NOTE	Model No.	Title: PANEL RECEPTACLE PLUG 2-HOLE FLANGE SMK(2.92mm)	
	SEE NOTE	RoHS2 201185 EU		Drawing No. 145-0801-602
<small> RoHS2 201185 EU XXX + 02 XXX + 005 ANGLES ° DEC </small>	<small> R.SHEN Date: 4/10/17 </small>	<small> Size C </small>	<small> DO NOT SCALE DRAWING </small>	<small> Rev 1 </small>
				<small> Sheet 1 of 1 </small>