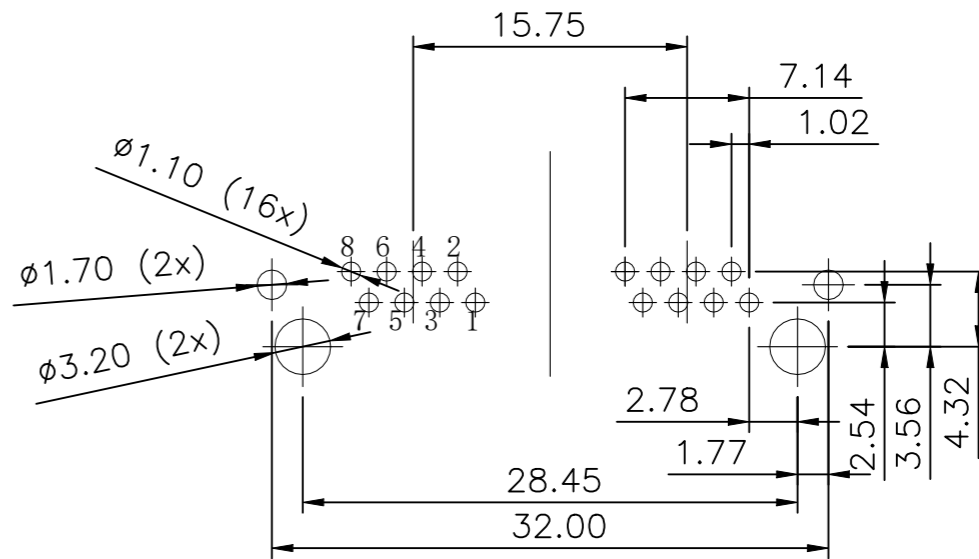
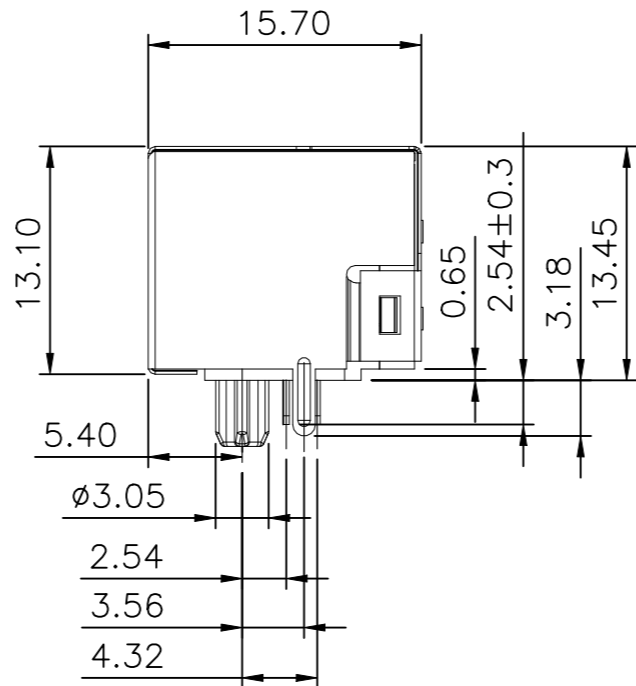
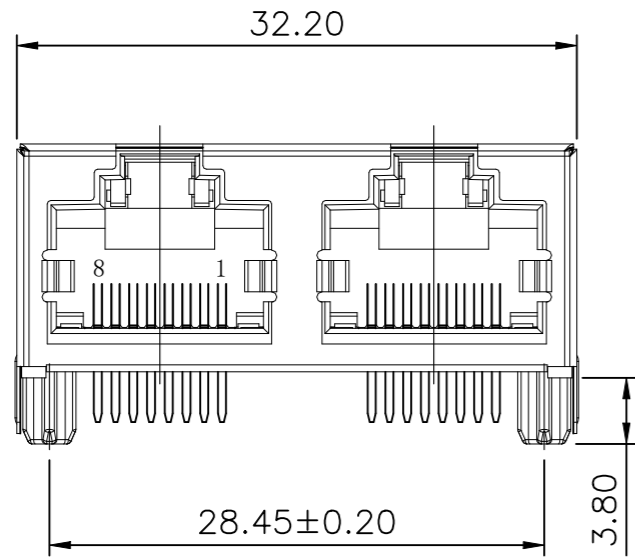
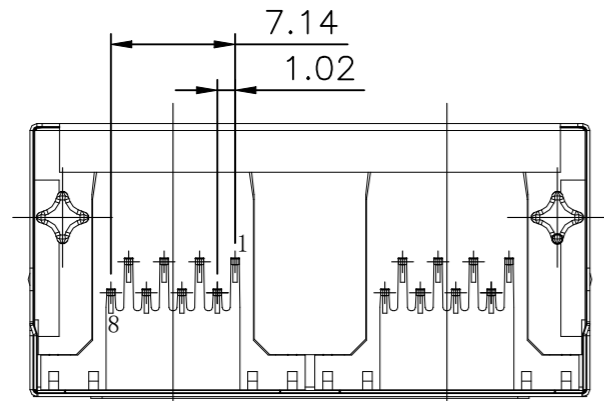


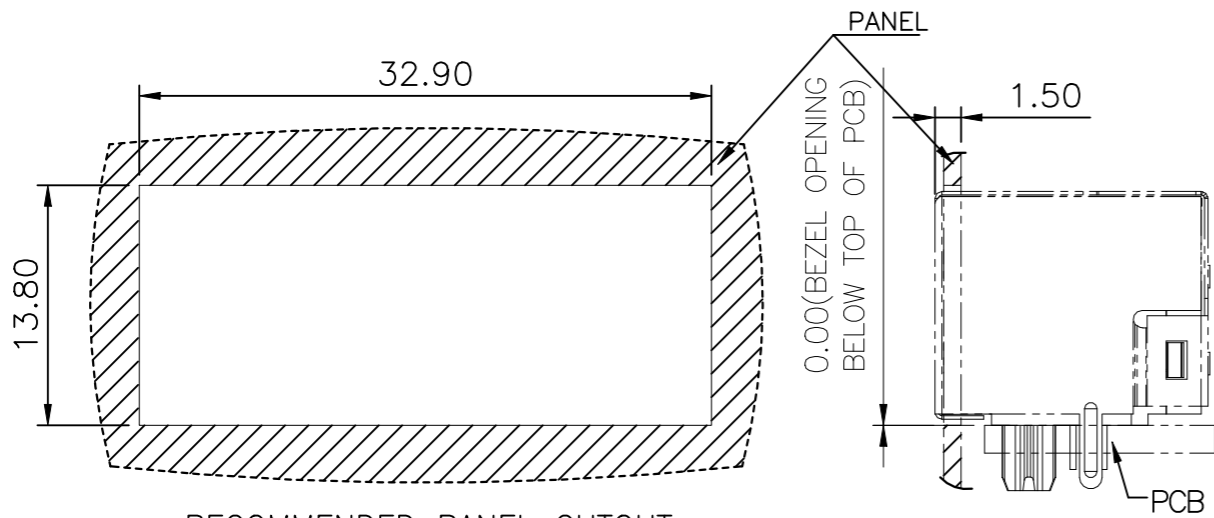
REVISIONS					
P	LTR	DESCRIPTION	DATE	DWN	APVD
	A1	NEW DRAWING	18NOV2023	NK	LET



RECOMMENDED PCB LAYOUT TOP VIEW
COMPONENT SIDE TOLERANCE±0.05 THICKNESS=3.0mm



- 1 CONNECTOR MATERIAL:
HOUSING:LCP BLACK UL94V-0.
INSERT:LCP BLACK UL94V-0.
SHIELDING:COPPER ALLOY, THICKNESS 0.20mm
SHIELD PLATING:NICKEL
CONTACT:PHOSPHOR BRONZE
CONTACT PLATING:30μinch GOLD PLATING ON CONTACT AREA.
50μinch MIN.NICKEL UNDERPLATED OVER ALL.
80μinch MIN.MATTE-TIN ON SOLDER TAIL.
- 2.RJ45 CAVITY DIMENSION CONFORM TO FCC PART 68.
- 3. APPLICABLE TO PIP PROCESS
- 4. PACKAGING:TRAY ACCORDING TO PACKAGING SPECIFICATION
107-18116
- 5 PROP 65 WARNING LABEL:SEE SHEET 2



RECOMMENDED PANEL CUTOUT


THIS DRAWING IS A CONTROLLED DOCUMENT.		DWN N K NIKHIL 18NOV2023	TE Connectivity Ltd.														
DIMENSIONS: mm		CHK N MANTIKOU 20NOV2023															
TOLERANCES UNLESS OTHERWISE SPECIFIED:		APVD T LEININGER 20NOV2023	NAME RJ45 JACK THT 10/100 R/A 1X2														
<table border="0"> <tr> <td>0 PLC</td> <td>± -</td> </tr> <tr> <td>1 PLC</td> <td>± 0.35</td> </tr> <tr> <td>2 PLC</td> <td>± 0.25</td> </tr> <tr> <td>3 PLC</td> <td>± 0.15</td> </tr> <tr> <td>4 PLC</td> <td>± -</td> </tr> <tr> <td>ANGLES</td> <td>± 2°</td> </tr> </table>		0 PLC	± -	1 PLC	± 0.35	2 PLC	± 0.25	3 PLC	± 0.15	4 PLC	± -	ANGLES	± 2°	PRODUCT SPEC 108-94945	-		
0 PLC	± -																
1 PLC	± 0.35																
2 PLC	± 0.25																
3 PLC	± 0.15																
4 PLC	± -																
ANGLES	± 2°																
MATERIAL 1		FINISH 1	APPLICATION SPEC 114-97854	SIZE A3	CAGE CODE 00779												
			WEIGHT 7.08g	DRAWING NO C-2501552-2	RESTRICTED TO -												
CUSTOMER DRAWING			SCALE NTS	SHEET 1 OF 2	REV A1												

REVISIONS					
P	LTR	DESCRIPTION	DATE	DWN	APVD
	-	SEE SHEET 1	-	-	-

NOTES: CONTINUATION FROM SHEET 1:

5 PROP 65 WARNING LABEL:

- THE WARNING LABEL ON THE PRODUCT OR LOWEST LEVEL PACKAGING
- CHEMICAL NAME: NICKEL (METALLIC)



WARNING: This product can expose you to chemicals including NICKEL (METALLIC) which is known to the state of California to cause cancer. For more information, visit www.P65Warnings.ca.gov.

THIS DRAWING IS A CONTROLLED DOCUMENT.		DWN N K NIKHIL 18NOV2023	STE TE Connectivity Ltd.		
		CHK N MANTIKOU 20NOV2023			
DIMENSIONS: mm		APVD T LEININGER 20NOV2023	NAME RJ45 JACK THT 10/100 R/A 1X2		
TOLERANCES UNLESS OTHERWISE SPECIFIED:		PRODUCT SPEC 108-94945	-		
0 PLC ± -		APPLICATION SPEC 114-97854	-		
1 PLC ± 0.35		WEIGHT 7.08g	SIZE A3	CAGE CODE 00779	DRAWING NO C-2501552-2
2 PLC ± 0.25		FINISH	RESTRICTED TO		
3 PLC ± 0.15			-		
4 PLC ± -		MATERIAL	SCALE NTS		
ANGLES ± 2°			SHEET 2 OF 2		
1		CUSTOMER DRAWING		REV A1	