

SERIES 80 MIGHTY MOUSE CONNECTORS Accessories, Backshells, and Tools



Series 800, 801, 803, 804 and 805 Rotatable Coupling, Shield Termination, Shrink Boot Adapter



440MS135

These thread-on adapters are used with **Band-Master™ ATS Micro Band** shield termination straps. Choose the smallest cable entry for your wire bundle. **Straight Entry** adapters are available in various lengths. **Straight, 45°, and 90°** adapters feature rotatable coupling nuts.

**Band-Master™ ATS Band
Microband 601-061**



**Band-Master™ ATS
Micro Band Tool
601-101**



**Add a boot or overmold
for environmental protection
(Shown without boot)**

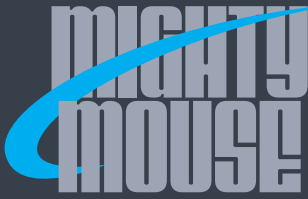
How To Order	
Sample Part Number	440MS135 M 07 05 -7 K
Series (See Table I)	440MS135 = Straight Entry 440MK135 = 45° Entry 440ML135 = 90° Entry
Shell Material and Finish	UCR = Aluminum / Zinc Cobalt Black M = Aluminum / Electroless Nickel NF = Aluminum / Cadmium with Olive Drab ZN = Aluminum / Zinc-Nickel with Olive Drab Chromate ZNU = Aluminum / Zinc-Nickel with Black Chromate MT = Aluminum / Nickel-PTFE Z1 = Stainless Steel / Passivated
Size Code (See Table II)	05, 06, 11, 07, 08, 09, 10, 12, 13, 14, 16, 17
Cable Entry Size (See Table III)	02, 03, 04, 05, 06, 07, 08, 09, 10, 11, 12, 13, 14
Length	Applies to symbol "S", straight only Length in 1/8 (3.18mm) inch increments (i.e. 7 = .875 inches)
Band Option	K = Pre-coiled Band Supplied (600-057-1) B = Band Supplied (600-057) Omit for no band supplied
Lace-Tie Option	T = Lace-Tie Omit for no lace-tie option

Table I: Cover Style		
440MS135 Straight Entry	440MK135 45° Entry	440ML135 90° Entry

NOTES

- Standard Minimum Length is .75. Applies to symbol "S" straight only.
- Consult factory for larger cable entries dimensions C, D, E, & F may be exceeded.
- Materials
 - Coupling nut, Adapter: aluminum alloy or 300 series SST
 - Band: 300 series SST
 - O-ring: silicone elastomer

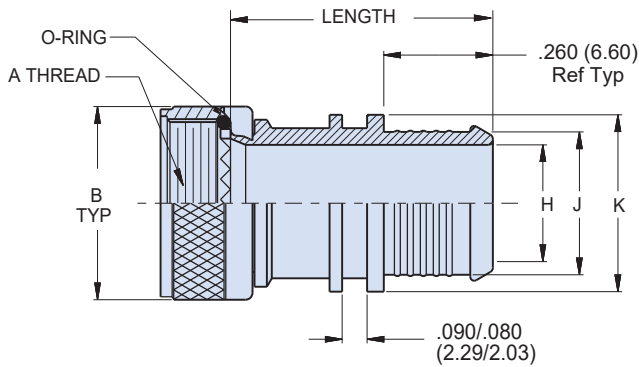
ACCESSORIES, BACKSHELLS, AND TOOLS



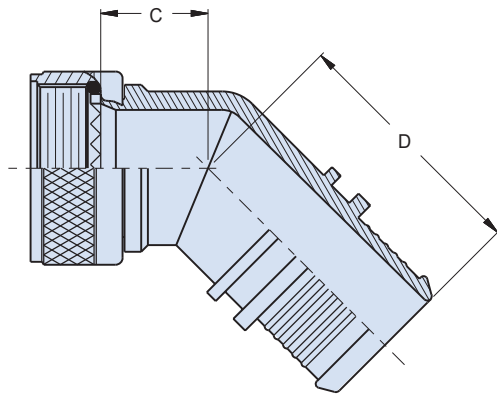
SERIES 80 MIGHTY MOUSE CONNECTORS Accessories, Backshells, and Tools



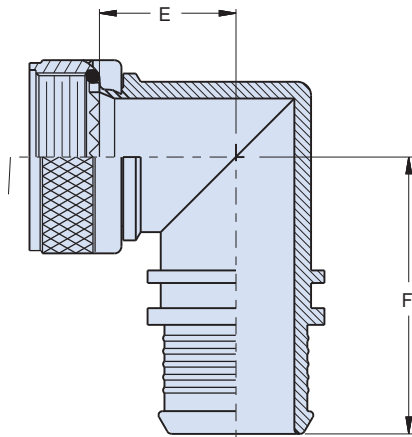
Series 800, 801, 803, 804 and 805 Rotatable Coupling, Shield Termination, Shrink Boot Adapter



STRAIGHT ENTRY
ROTATABLE COUPLING
440MS135



45° ENTRY
ROTATABLE COUPLING
440MK135



90° ENTRY
ROTATABLE COUPLING
440ML135

Table II: Dimensions

Size Code	A Threads	Shell Size		Max Cable Entry Code ²
		Series 800, 801, 803, 804	Series 805	
05	.2500-32 UNEF-2B	5	N/A	03
06	.3125-32 UNEF-2B	6	N/A	04
11	.375-32 UNEF-2B	N/A	8	04
07	.4375-28 UNEF-2B	7	9	06
08	.5000-28 UNEF-2B	8	10	07
09	.5625-24 UNEF-2B	9	11	08
10	.6250-24 UNEF-2B	10	12	09
12	.6875-24 UNEF-2B	11, 12, 13	13	10
13	.750-20 UNEF-2B	N/A	15	10
14	.9375-20 UNEF-2B	14, 15, 16, 17	18, 19	14
16	1.0625-18 UNEF-2B	19	21	15
17	1.1875-18 UNEF-2B	21	23	16

Table II: Dimensions (continued)

Size Code	B Max.	C Max.	D Max.	E Max.	F Max.
05	.470 (11.94)	.530 (13.46)	.660 (16.76)	.630 (16.00)	.780 (19.81)
06	.530 (13.46)	.550 (13.97)	.670 (17.02)	.660 (16.76)	.790 (20.07)
11	.570 (14.48)	.560 (14.22)	.680 (17.27)	.680 (17.27)	.810 (20.57)
07	.637 (16.18)	.570 (14.48)	.690 (17.53)	.700 (17.78)	.830 (21.08)
08	.700 (17.78)	.580 (14.73)	.700 (17.78)	.740 (18.80)	.860 (21.84)
09	.758 (19.25)	.590 (14.99)	.710 (18.03)	.770 (19.56)	.890 (22.61)
10	.819 (20.80)	.610 (15.49)	.730 (18.54)	.800 (20.32)	.920 (23.37)
12	.896 (22.76)	.640 (16.26)	.750 (19.05)	.840 (21.34)	.970 (24.64)
13	.930 (23.62)	.660 (16.76)	.770 (19.56)	.890 (22.61)	1.020 (25.91)
14	1.137 (28.88)	.690 (17.53)	.800 (20.32)	.950 (24.13)	1.090 (27.69)
16	1.230 (31.24)	.710 (18.03)	.820 (20.83)	.980 (24.89)	1.130 (28.70)
17	1.387 (35.23)	.720 (18.29)	.830 (21.08)	1.010 (25.65)	1.160 (29.46)

Table III: Cable Entry Dimensions

Cable Entry Code	Ø H ± .015 (± 0.38)	Ø J ± .015 (± 0.38)	Ø K ± .015 (± 0.38)
02	.125 (3.18)	.164 (4.17)	.266 (6.76)
03	.188 (4.78)	.227 (5.77)	.329 (8.36)
04	.250 (6.35)	.289 (7.34)	.391 (9.93)
05	.312 (7.92)	.351 (8.92)	.453 (11.51)
06	.375 (9.52)	.414 (10.52)	.516 (13.11)
07	.438 (11.13)	.477 (12.12)	.579 (14.71)
08	.500 (12.70)	.539 (13.69)	.641 (16.28)
09	.562 (14.27)	.601 (15.27)	.703 (17.86)
10	.625 (15.88)	.664 (16.87)	.766 (19.46)
11	.688 (17.48)	.727 (18.47)	.829 (21.06)
12	.750 (19.05)	.789 (20.04)	.891 (22.63)
13	.812 (20.62)	.851 (21.62)	.953 (24.21)
14	.875 (22.23)	.914 (23.22)	1.016 (25.81)
15	.938 (23.83)	.977 (24.82)	1.079 (27.41)
16	1.00 (25.40)	1.039 (26.39)	1.141 (28.98)