

ISD4004 SERIES

SINGLE-CHIP, MULTIPLE-MESSAGES

VOICE RECORD/PLAYBACK DEVICES

8-, 10-, 12-, AND 16-MINUTE DURATION

| | |
|---|----|
| 1. GENERAL DESCRIPTION | 3 |
| 2. FEATURES | 4 |
| 3. BLOCK DIAGRAM | 5 |
| 4. PIN CONFIGURATION | 6 |
| 5. PIN DESCRIPTION..... | 7 |
| 6. FUNCTIONAL DESCRIPTION | 12 |
| 6.1. Detailed Description | 12 |
| 6.2. Serial Peripheral Interface (SPI) Description | 13 |
| 6.2.1 OPCODES | 14 |
| 6.2.2 SPI Diagrams..... | 15 |
| 6.2.3 SPI Control and Output Registers..... | 16 |
| 7. TIMING DIAGRAMS | 18 |
| 8. ABSOLUTE MAXIMUM RATINGS..... | 20 |
| 8.1. Operating Conditions..... | 21 |
| 9. ELECTRICAL CHARACTERISTICS..... | 22 |
| 9.1. Parameters For Packaged Parts..... | 22 |
| 9.2. Parameters For Die..... | 25 |
| 9.3. SPI AC Parameters | 26 |
| 10. TYPICAL APPLICATION CIRCUIT | 27 |
| 11. PACKAGING AND DIE INFORMATION | 30 |
| 11.1. 28-Lead 300-Mil Plastic Small Outline IC (SOIC)..... | 30 |
| 11.2. 28-Lead 600-Mil Plastic Dual Inline Package (PDIP) | 31 |
| 11.3. 28-Lead 8x13.4mm Plastic Thin Small Outline Package (TSOP) Type 1 - IQC | 32 |
| 11.4. 28-Lead 8x13.4mm Plastic Thin Small Outline Package (TSOP) Type 1 | 33 |
| 11.5. Die Information | 34 |
| 12. ORDERING INFORMATION | 36 |
| 13. VERSION HISTORY | 37 |

1. GENERAL DESCRIPTION

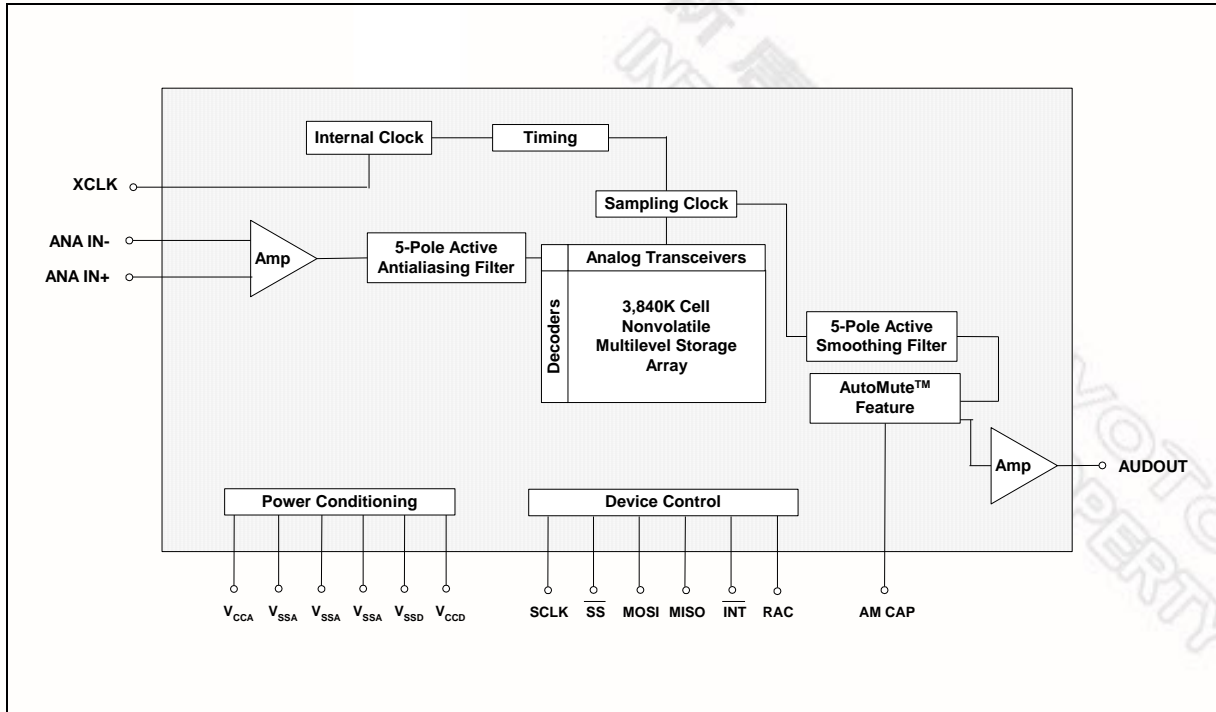
The ISD4004 ChipCorder® series provides high-quality, 3-volt, single-chip record/playback solutions for 8- to 16-minute messaging applications ideally for cellular phones and other portable products. The CMOS-based devices include an on-chip oscillator, anti-aliasing filter, smoothing filter, AutoMute® feature, audio amplifier, and high density multilevel Flash memory array. The ISD4004 series is designed to be used in a microprocessor- or microcontroller-based system. Address and control are accomplished through a Serial Peripheral Interface (SPI) or Microwire Serial Interface to minimize pin count.

Recordings are stored into the on-chip Flash memory cells, providing zero-power message storage. This unique single-chip solution utilizes Nuvoton's patented multilevel storage technology. Voice and audio signals are directly stored onto memory array in their natural form, providing high-quality voice reproduction.

2. FEATURES

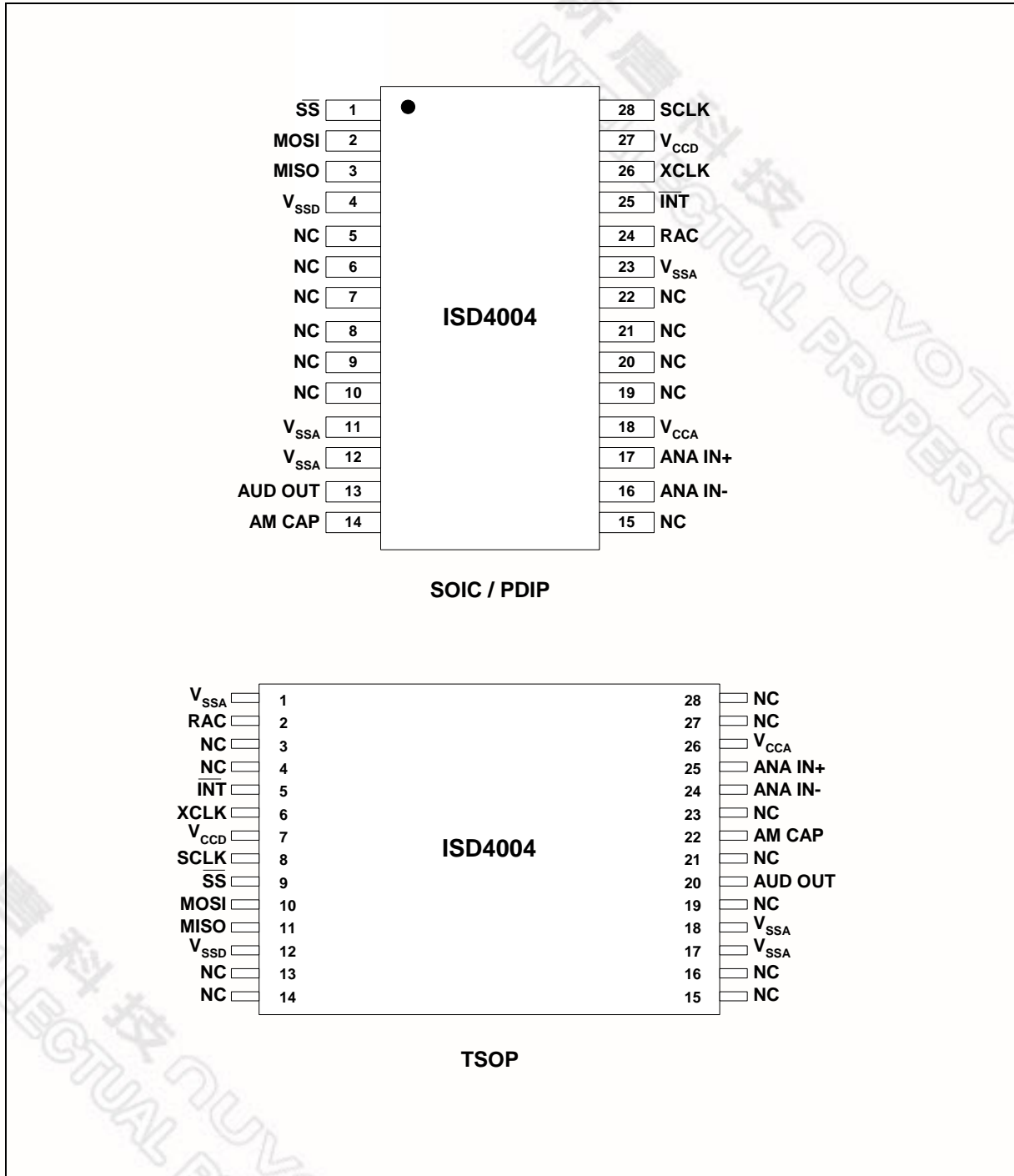
- Single-chip voice record/playback solution
- Single 3 volt supply
- Low-power consumption
 - Operating current:
 - $I_{CC_Play} = 15 \text{ mA}$ (typical)
 - $I_{CC_Rec} = 25 \text{ mA}$ (typical)
 - Standby current:
 - $I_{CC_Standby} = 1 \mu\text{A}$ (typical)
- Duration: 8, 10, 12, and 16 minutes
- High-quality, natural voice/audio reproduction
- AutoMute feature provides background noise attenuation
- No algorithm development required
- Microcontroller SPI or Microwire™ Serial Interface
- Fully addressable to handle multiple messages
- Non-volatile message storage
- 100K record cycles (typical)
- 100-year message retention (typical)
- On-chip oscillator
- Power-down feature to reduce power consumption
- Available in die, PDIP, SOIC, and TSOP
- Packaged type: Lead-Free
- Temperature:
 - Commercial (die): 0°C to +50°C
 - Commercial (packaged units): 0°C to +70°C
 - Industrial (packaged units): -40°C to +85°C

3. BLOCK DIAGRAM



新唐科技 NUVOTON
INTELLECTUAL PROPERTY

4. PIN CONFIGURATION



5. PIN DESCRIPTION

| PIN NAME | PIN NO. | | FUNCTION |
|------------------------|-----------------|---------------------------------|---|
| | SOIC / PDIP | TSOP | |
| \overline{SS} | 1 | 9 | Slave Select: This input, when LOW, will select the ISD4004 device. |
| MOSI | 2 | 10 | Master Out Slave IN: This is the serial input to the ISD4004 device when it is configured as slave. The master microcontroller places data on the MOSI line one half-cycle before the rising edge of SCLK for clocking into the device. |
| MISO | 3 | 11 | Master In Slave Out: This is the serial output of the ISD4004 device. This output goes into a high-impedance state if the device is not selected. |
| V_{SSA} / V_{SSD} | 11, 12, 23 / 4 | 1, 17, 18 / 12 | Ground: The ISD4004 series utilizes separate analog and digital ground busses. The analog ground (V_{SSA}) pins should be tied together as close as possible and connected through a low-impedance path to power supply ground. The digital ground (V_{SSD}) pin should be connected through a separate low-impedance path to power supply ground. These ground paths should be large enough to ensure that the impedance between the V_{SSA} pins and the V_{SSD} pin is less than 3 Ω . The backside of the die is connected to V_{SS} through the substrate. For chip-on-board design, the die attach area must be connected to V_{SS} or left floating. |
| NC | 5-10, 15, 19-22 | 3, 4, 13-16, 19, 21, 23, 27, 28 | Not connected |
| AUD OUT ^[1] | 13 | 20 | Audio Output: This pin provides an audio output of the stored data and is recommended be AC coupled. It is capable of driving a 5 K Ω impedance R_{EXT} . |

^[1] The AUD OUT pin is always at 1.2 volts when the device is powered up. When in playback, the output buffer connected to this pin can drive a load as small as 5 K Ω . When in record, a built-in resistor connects AUD OUT to the internal 1.2-volt analog ground supply. This resistor is approximately 850 K Ω , but will vary somewhat according to the sample rate of the device. This relatively high impedance allows this pin to be connected to an audio bus without loading it down.

| PIN NAME | PIN NO. | | FUNCTION |
|----------|-------------|------|--|
| | SOIC / PDIP | TSOP | |
| AM CAP | 14 | 22 | <p>AutoMute™ Feature: The AutoMute feature only applies for playback operation and helps to minimize noise (with 6 dB of attenuation) when there is no signal (i.e. during periods of silence). A 1 μF capacitor to ground is recommended to connect to the AM CAP pin.</p> <p>This capacitor becomes a part of an internal peak detector which senses the signal amplitude. This peak level is compared to an internally set threshold to determine the AutoMute trip point. For large signals, the AutoMute attenuation is set to 0 dB automatically but 6 dB of attenuation occurs for silence. The 1 μF capacitor also affects the rate at which the AutoMute feature changes with the signal amplitude (or the attack time).</p> <p>The AutoMute feature can be disabled by connecting the AM CAP pin directly to V_{CCA-}.</p> |
| ANA IN- | 16 | 24 | <p>Inverting Analog Input: This pin transfers the signal into the device during recording via differential-input mode.</p> <p>In this differential-input mode, a 16 mVp-p maximum input signal should be capacitively coupled to ANA IN- for optimal signal quality, as shown in Figure 1: ANA IN Modes. This capacitor value should be equal to that used on ANA IN+ pin. The input impedance at ANA IN- is normally 56 KΩ.</p> <p>In the single-ended mode, ANA IN- should be capacitively coupled to V_{SSA} through a capacitor equal to that used on the ANA IN+ pin.</p> |
| ANA IN+ | 17 | 25 | <p>Non-Inverting Analog Input: This pin is the non-inverting analog input that transfers the signal to the device for recording. The analog input amplifier can be driven single ended or differentially.</p> <p>In the single-ended input mode, a 32 mVp-p (peak-to-peak) maximum signal should be capacitively connected to this pin for optimal signal quality. The external capacitor associated with ANA IN+ together with the 3 KΩ input impedance are selected to give cutoff at the low frequency end of the voice passband.</p> <p>In the differential-input mode, the maximum input signal at ANA IN+ should be 16 mVp-p capacitively coupled for optimal signal quality. The circuit connections for the two modes are shown in Figure 1.</p> |

| PIN NAME | PIN NO. | | FUNCTION |
|-------------------------------------|-------------|--------|---|
| | SOIC / PDIP | TSOP | |
| V _{CCA} / V _{CCD} | 18 / 27 | 26 / 7 | <p>Supply Voltage: To minimize noises, the analog and digital circuits in the ISD4004 devices use separate power busses. These +3V busses are brought out to separate pins and should be tied together as close to the supply as possible. In addition, these supplies should be decoupled as close to the package as possible.</p> |
| RAC | 24 | 2 | <p>Row Address Clock: This is an open drain output that provides the signal of a ROW with a 200 ms period for 8 KHz sampling frequency. (This represents a single row of memory.) This signal stays HIGH for 175 ms and stays LOW for 25 ms when it reaches the end of a row.</p> <p>The RAC pin stays HIGH for 109.37 μsec and stays LOW for 15.63 μsec in Message Cueing mode (see Message Cueing section for detailed description). Refer to the AC Parameters table for RAC timing information at other sample rates.</p> <p>When a record command is first initiated, the RAC pin remains HIGH for an extra T_{RACL} period. This is due to the need of loading the internal sample and hold circuits in the device. This pin can be used for message management techniques.</p> <p>A pull-up resistor is required to connect this pin to other device.</p> |
| $\overline{\text{INT}}$ | 25 | 5 | <p>Interrupt: This is an open drain output pin. This pin goes LOW and stays LOW when an Overflow (OVF) or End of Message (EOM) marker is detected. Each operation that ends with an EOM or OVF will generate an interrupt. The interrupt will be cleared the next time an SPI cycle is initiated. The interrupt status can also be read by an R_{INT} instruction.</p> <p>A pull-up resistor is required to connect this pin to other device.</p> <p><i>Overflow Flag (OVF)</i> – The Overflow flag indicates that the end of memory has been reached during a record or playback operation.</p> <p><i>End of Message (EOM)</i> – The End of Message flag is set only during playback operation when an EOM is found. There are eight EOM flag position options per row.</p> |

| PIN NAME | PIN NO. | | FUNCTION | | | | | | | | | | | | | | | |
|-------------|-------------|----------------|---|-------------|-------------|----------------|-------------|---------|----------|-------------|---------|-----------|-------------|---------|-----------|-------------|---------|---------|
| | SOIC / PDIP | TSOP | | | | | | | | | | | | | | | | |
| XCLK | 26 | 6 | <p>External Clock Input: The ISD4004 series is configured at the factory with an internal sampling clock frequency centered to ± 1 percent of specification. The frequency is then maintained to a variation of ± 2.25 percent over the entire commercial temperature and operating voltage ranges. The internal clock has a $-6/+4$ percent tolerance over the industrial temperature and voltage ranges. A regulated power supply is recommended for industrial temperature range parts. If greater precision is required, the device can be clocked through the XCLK pin as follows:</p> <table border="1"> <thead> <tr> <th>Part Number</th> <th>Sample Rate</th> <th>Required Clock</th> </tr> </thead> <tbody> <tr> <td>ISD4004-08M</td> <td>8.0 kHz</td> <td>1024 kHz</td> </tr> <tr> <td>ISD4004-10M</td> <td>6.4 kHz</td> <td>819.2 kHz</td> </tr> <tr> <td>ISD4004-12M</td> <td>5.3 kHz</td> <td>682.7 kHz</td> </tr> <tr> <td>ISD4004-16M</td> <td>4.0 kHz</td> <td>512 kHz</td> </tr> </tbody> </table> <p>These recommended clock rates should not be varied because the anti-aliasing and smoothing filters are fixed. Otherwise, aliasing problems can occur if the sample rate differs from the one recommended. The duty cycle on the input clock is not critical, as the clock is immediately divided by two. If the XCLK is not used, this input must be connected to ground.</p> | Part Number | Sample Rate | Required Clock | ISD4004-08M | 8.0 kHz | 1024 kHz | ISD4004-10M | 6.4 kHz | 819.2 kHz | ISD4004-12M | 5.3 kHz | 682.7 kHz | ISD4004-16M | 4.0 kHz | 512 kHz |
| Part Number | Sample Rate | Required Clock | | | | | | | | | | | | | | | | |
| ISD4004-08M | 8.0 kHz | 1024 kHz | | | | | | | | | | | | | | | | |
| ISD4004-10M | 6.4 kHz | 819.2 kHz | | | | | | | | | | | | | | | | |
| ISD4004-12M | 5.3 kHz | 682.7 kHz | | | | | | | | | | | | | | | | |
| ISD4004-16M | 4.0 kHz | 512 kHz | | | | | | | | | | | | | | | | |
| SCLK | 28 | 8 | <p>Serial Clock: This is the input clock to the ISD4004 device. It is generated by the master device (typically microcontroller) and is used to synchronize the data transfer in and out of the device through the MOSI and MISO lines, respectively. Data is latched into the ISD4004 on the rising edge of SCLK and shifted out of the device on the falling edge of SCLK.</p> | | | | | | | | | | | | | | | |

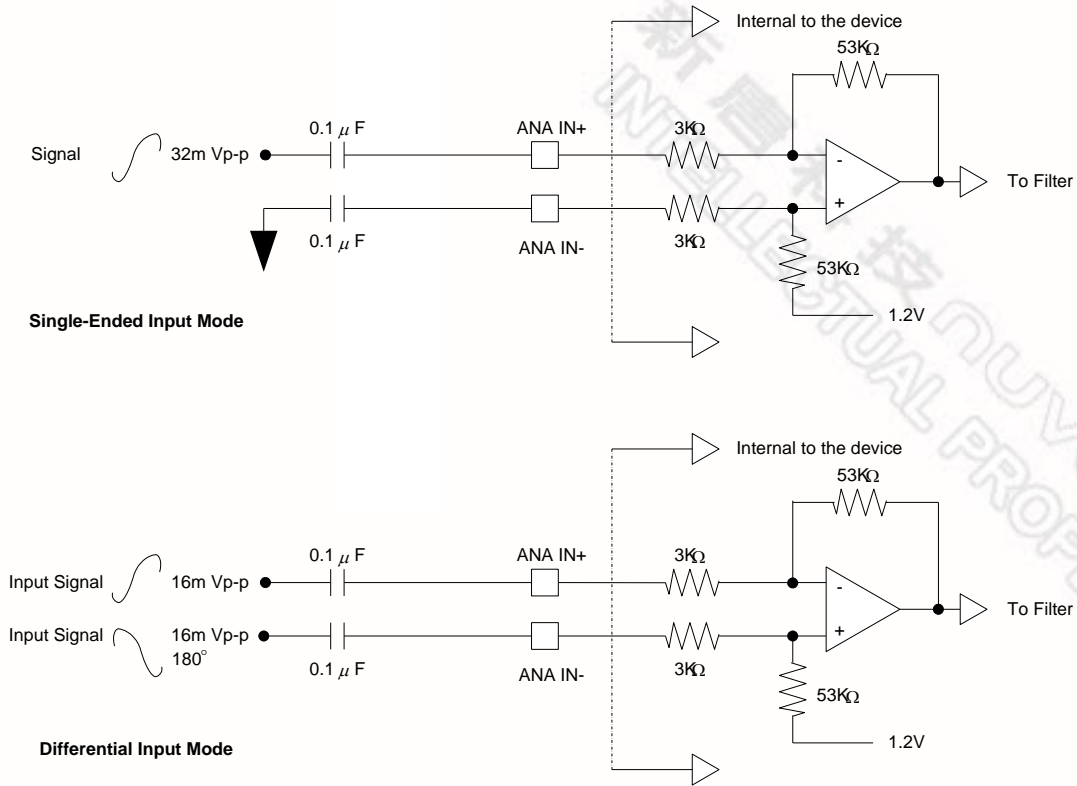


FIGURE 1: ISD4004 SERIES ANA IN MODES

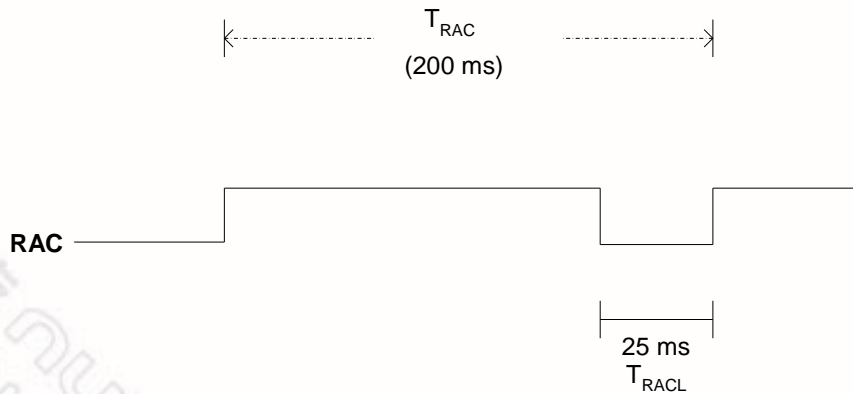


FIGURE 2: RAC TIMING WAVEFORM DURING NORMAL OPERATION
(example of 8KHz sampling rate)

6. FUNCTIONAL DESCRIPTION

6.1. DETAILED DESCRIPTION

Audio Quality

The Nuvoton's ISD4004 ChipCorder® series is offered at 8.0, 6.4, 5.3 and 4.0 kHz sampling frequencies, allowing the user a choice of speech quality options. Increasing the sampling frequency will produce better sound quality, but affects duration. Please refer to Table 1: Product Summary for details.

Analog speech samples are stored directly into on-chip non-volatile memory without the digitization and compression associated with other solutions. Direct analog storage provides higher quality reproduction of voice, music, tones, and sound effects than other solid-state solutions.

Duration

The ISD4004 Series is a single-chip solution with 8-, 10-, 12-, and 16-minute duration.

TABLE 1: PRODUCT SUMMARY OF ISD4004 SERIES

| Part Number | Duration (Minutes) | Sample Rate (kHz) | Typical Filter Pass Band (kHz) * |
|-------------|--------------------|-------------------|----------------------------------|
| ISD4004-08M | 8 | 8.0 | 3.4 |
| ISD4004-10M | 10 | 6.4 | 2.7 |
| ISD4004-12M | 12 | 5.3 | 2.3 |
| ISD4004-16M | 16 | 4.0 | 1.7 |

* This is the -3dB point. This parameter is not checked during production testing and may vary due to process variations and other factors. Therefore, the customer should not rely upon this value for testing purposes.

Flash Storage

The ISD4004 series utilizes on-chip Flash memory, providing zero-power message storage. The message is retained for up to 100 years typically without power. In addition, the device can be re-recorded typically over 100,000 times.

Memory Architecture

The ISD4004 series contains a total of 3,840K Flash memory cells, which is organized as 2,400 rows of 1,600 cells each. The address bits (A0-A15) are used to access various rows for multiple messages of different durations.

Microcontroller Interface

A four-wire (SCLK, MOSI, MISO & \overline{SS}) SPI interface is provided for controlling and addressing functions. The ISD4004 is configured to operate as a peripheral slave device, with a microcontroller-based SPI bus interface. Read and write operations are controlled through this SPI interface. An interrupt signal (\overline{INT}) and internal read only Status Register are provided for handshake purposes.

Programming

The ISD4004 series is also ideal for playback-only applications, where single- or multiple-messages playback is controlled through the SPI port. Once the desired message configuration is created, duplicates can easily be generated via a programmer.

6.2. SERIAL PERIPHERAL INTERFACE (SPI) DESCRIPTION

The ISD4004 series operates via SPI serial interface with the following protocol.

First, the data transfer protocol assumes that the microcontroller's SPI shift registers are clocked on the falling edge of the SCLK. However, for the ISD4004, the protocols are as follows:

1. All serial data transfers begin with the falling edge of \overline{SS} pin.
2. \overline{SS} is held LOW during all serial communications and held HIGH between instructions.
3. Data is clocked in on the rising edge of the SCLK signal and clocked out on the falling edge of the SCLK signal, with LSB first.
4. Playback and record operations are initiated when the device is enabled by asserting the \overline{SS} pin LOW, shifting in an opcode and an address data to the ISD4004 device (refer to the Opcode Summary in the following page).
5. The opcodes contain <16 address bits> and <8 control bits>.
6. Each operation that ends with an EOM or Overflow will generate an interrupt. The Interrupt will be cleared the next time a SPI cycle is initiated.
7. As Interrupt data is shifted out of the MISO pin, while address and control data are simultaneously shifted into the MOSI pin. Care should be taken such that the data shifted in is compatible with current system operation. Because it is possible to read an interrupt data and start a new operation within the same SPI cycle.
8. An operation begins with the RUN bit set and ends with the RUN bit reset.
9. All operations begin after the rising edge of \overline{SS} .

6.2.1 OPCODES

The available Opcodes are summarized as follows:

TABLE 2: OPCODE SUMMARY

| Instructions | OpCodes | | Descriptions |
|---------------------|---------------------------------|---|--|
| | Address (16 bits) <A0 – A15> | Control bits (8 bits) XXX C0 C1 C2 C3 C4 | |
| POWERUP | <XXX.....XXX> | XXX 0 0 1 0 0 | Power-Up: Device will be ready for an operation after T_{PUD} . |
| SETPLAY | <A0 – A15> | XXX 0 0 1 1 1 | Initiates playback from address <A0-A15>. |
| PLAY | <XXX.....XXX> | XXX 0 1 1 1 1 | Playback from the current address (until EOM or OVF). |
| SETREC | <A0 – A15> | XXX 0 0 1 0 1 | Initiates a record operation from address <A0-A15>. |
| REC | <XXX.....XXX> | XXX 0 1 1 0 1 | Records from current address until OVF is reached or Stop command is sent. |
| SETMC | <A0 – A15> | XXX 1 0 1 1 1 | Initiates Message Cueing (MC) from address <A0-A15>. |
| MC ^[1] | <XXX.....XXX> | XXX 1 1 1 1 1 | Performs a Message Cueing from current location. Proceeds to the end of message (EOM) or enters OVF condition if no more messages are present. |
| STOP | <XXX.....XXX> | XXX 0 1 1 X 0 | Stops the current operation. |
| STOPPWRDN | <XXX.....XXX> | XXX X 1 0 X 0 | Stops the current operation and enters into standby (power-down) mode. |
| RINT ^[2] | <XXX.....XXX> | XXX 0 1 1 X 0 | Read Interrupt status bits: Overflow and EOM. |

Notes:

- C0 = Message cueing
- C1 = Ignore address bit
- C2 = Master power control
- C3 = Record or playback operation
- C4 = Enable or disable an operation

^[1] Message Cueing can be selected only at the beginning of a playback operation.

^[2] As the Interrupt data is shifted out of the ISD4004, control and address data are being shifted in. Care should be taken such that the data shifted in is compatible with current system operation. It is possible to read interrupt data and start a new operation at the same time. See Figures 5 - 8 for references.

6.2.2 SPI Diagrams

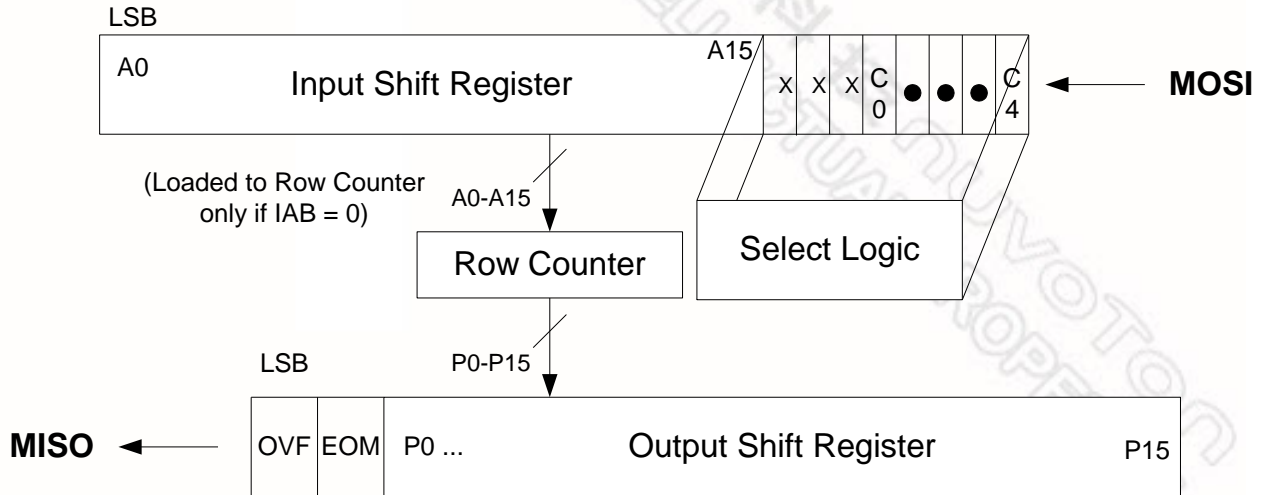
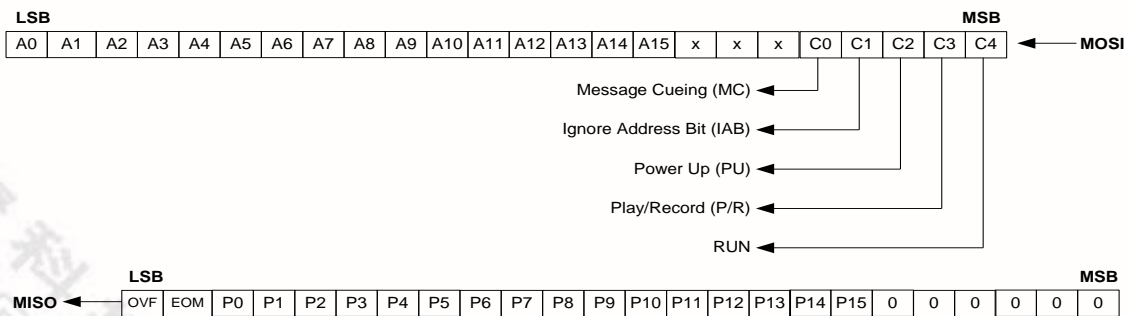


FIGURE 3: SPI INTERFACE SIMPLIFIED BLOCK DIAGRAM

The following diagram describes the SPI port and the control bits associated with it.



- Notes: 1. For MOSI, LSB is the 1st bit shifted into the ISD4004.
 2. For MISO, LSB is the 1st bit shifted out from the ISD4004.

FIGURE 4: SPI PORT

6.2.3 SPI Control and Output Registers

The SPI control register provides control of individual function such as play, record, message cueing, power-up, power-down, start, stop and ignore address pointer operations.

TABLE 3: SPI CONTROL REGISTERS

| Control Bit | Control Register | Bit | Device Function |
|--------------|--------------------|-----|---|
| C0 | MC | | Message Cueing function |
| | | = 1 | Enable Message Cueing |
| | | = 0 | Disable Message Cueing |
| C1 | IAB ^[1] | | Ignore Address bit |
| | | = 1 | Ignore input address register (A0-A15) |
| | | = 0 | Use the input address register (A0-A15) |
| C2 | PU | | Power Up |
| | | = 1 | Power-Up |
| | | = 0 | Power-Down |
| C3 | P/R [̄] | | Playback or Record |
| | | = 1 | Play |
| | | = 0 | Record |
| C4 | RUN | | Enable or Disable an operation |
| | | = 1 | Start |
| | | = 0 | Stop |
| Address Bits | A0-A15 | | Input address register |

TABLE 4: SPI OUTPUT REGISTERS

| Output Bits | Description |
|-------------|------------------------------------|
| OVF | Overflow |
| EOM | End-of-Message |
| P0-P15 | Output of the row pointer register |

^[1] When IAB (Ignore Address Bit) is set to 0, a playback or record operation starts from address (A0-A15). For consecutive playback or record, IAB should be changed to a 1 before the end of that row (see RAC timing). Otherwise the ISD4004 will repeat the operation from the same row address. For memory management, the Row Address Clock (RAC) signal and IAB can be used to move around the memory segments.

Message Cueing

Message cueing (MC) allows the user to skip through messages, without knowing the actual physical location of the messages. It will stop when an EOM marker is reached. Then, the internal address counter will point to the next message. Also, it will enter into OVF condition when it reaches the end of memory. In this mode, the messages are skipped 1,600 times faster than the normal playback mode.

Power-Up Sequence

The ISD4004 will be ready for an operation after power-up command is sent and followed by the T_{PUD} timing (25 ms for 8 KHz sampling rate). Refer to the AC timing table for other T_{PUD} values with respect to different sampling rates.

The following sequences are recommended for optimized Record and Playback operations.

Record Mode

1. Send POWERUP command.
2. Wait T_{PUD} (power-up delay).
3. Send POWERUP command.
4. Wait $2 \times T_{PUD}$ (power-up delay).
5. a). Send SETREC command with address xx, or
b). Send REC command (recording from current location).
6. Send STOP command to stop recording.
7. Wait $T_{STOP/PAUSE}$.

For 3 & 4), please refer to Apps Brief 39A: recorded pop elimination in the ISD4000 series.

For 5.a), the device will start recording at address xx and will generate an interrupt when an overflow (end of memory array) is reached, if no STOP command is sent before that. Then, it will automatic stop recording operation.

Playback Mode

1. Send POWERUP command
2. Wait T_{PUD} (power-up delay)
3. a). Send SETPLAY command with address xx, or
b). Send PLAY command (playback from current location).
4. a). Send STOP command to halt the playback operation, or
b). Wait for playback operation to stop automatically, when an EOM or OVF is reached.
5. Wait $T_{STOP/PAUSE}$.

For 3.a), the device will start playback at address xx and it will generate an interrupt when an EOM or OVF is reached. It will then stop playback operation.

7. TIMING DIAGRAMS

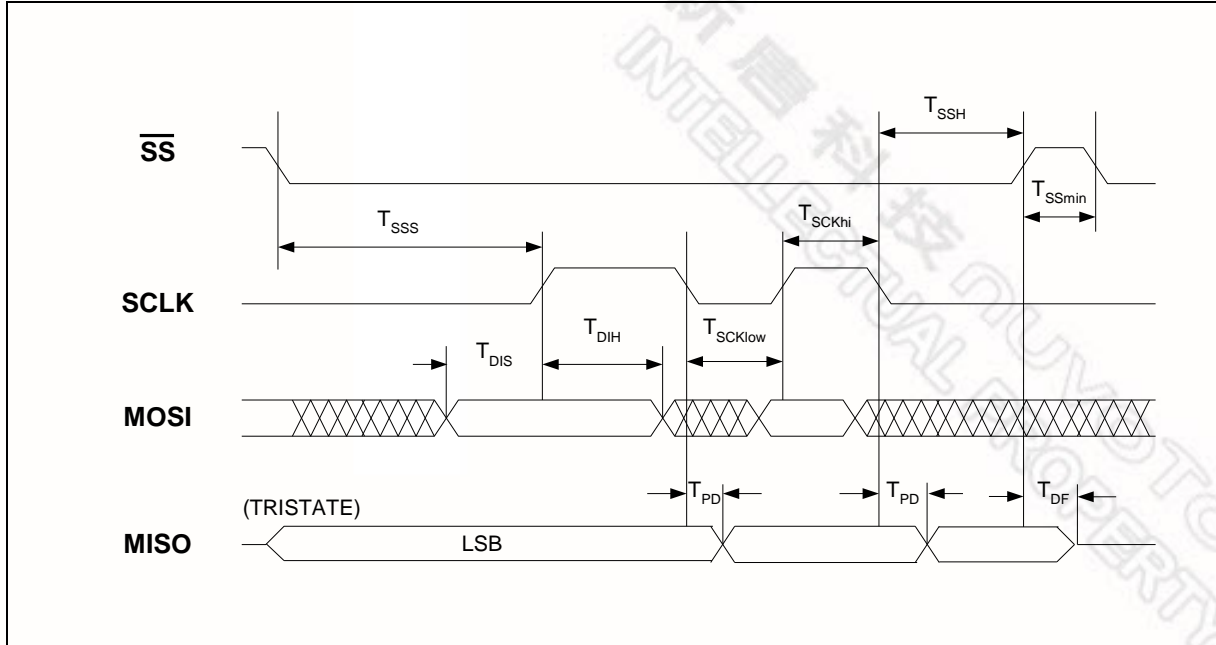


FIGURE 5: TIMING DIAGRAM

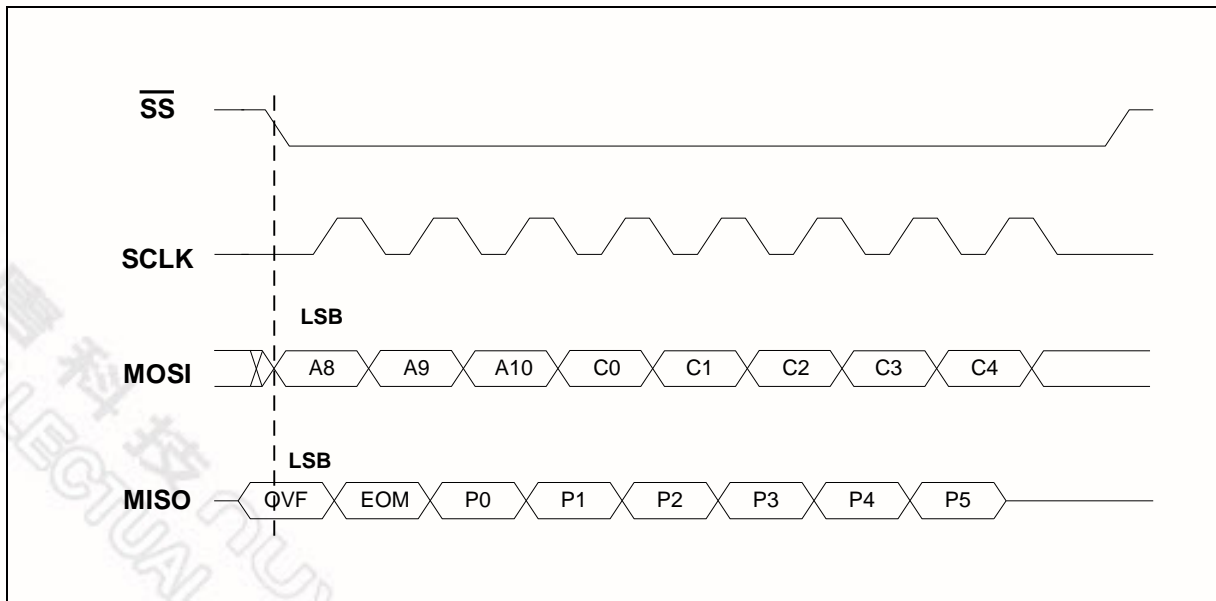


FIGURE 6: 8-BIT COMMAND FORMAT

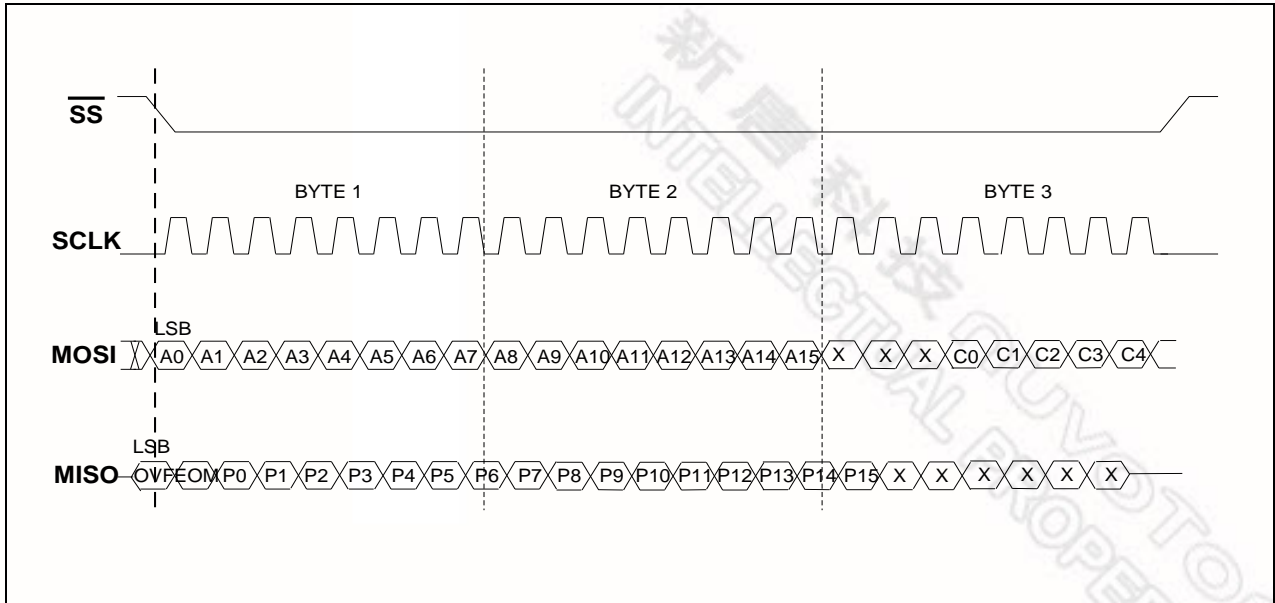


FIGURE 7: 16-BIT COMMAND FORMAT

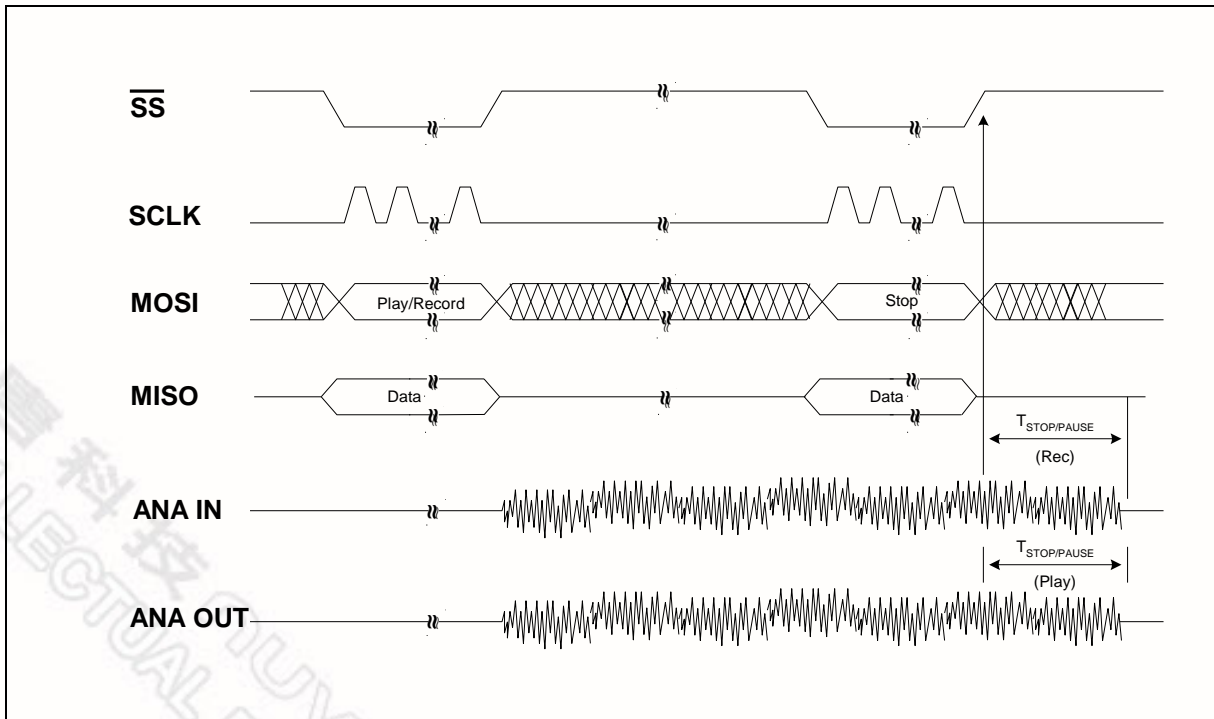


FIGURE 8: PLAYBACK/RECORD AND STOP CYCLE

8. ABSOLUTE MAXIMUM RATINGS
TABLE 5: ABSOLUTE MAXIMUM RATINGS (PACKAGED PARTS)

| CONDITIONS | VALUES |
|---|--|
| Junction temperature | 150°C |
| Storage temperature range | -65°C to +150°C |
| Voltage applied to any pin | (V _{SS} -0.3V) to (V _{CC} +0.3V) |
| Voltage applied to any pin (Input current limited to ±20mA) | (V _{SS} -1.0V) to (V _{CC} +1.0V) |
| Voltage applied to MOSI, SCLK, and \overline{SS} pins (Input current limited to ±20mA) | (V _{SS} -1.0V) to 5.5V |
| Lead temperature (soldering – 10 seconds) | 300°C |
| V _{CC} – V _{SS} | -0.3V to +7.0V |

TABLE 6: ABSOLUTE MAXIMUM RATINGS (DIE)

| CONDITIONS | VALUES |
|---|--|
| Junction temperature | 150°C |
| Storage temperature range | -65°C to +150°C |
| Voltage applied to any pad | (V _{SS} -0.3V) to (V _{CC} +0.3V) |
| Voltage applied to any pad (Input current limited to ±20 mA) | (V _{SS} -1.0V) to (V _{CC} +1.0V) |
| Voltage applied to MOSI, SCLK, and \overline{SS} pins (Input current limited to ±20mA) | (V _{SS} -1.0V) to 5.5V |
| V _{CC} – V _{SS} | -0.3V to +7.0V |

Note: Stresses above those listed may cause permanent damage to the device. Exposure to the absolute maximum ratings may affect device reliability and performance. Functional operation is not implied at these conditions.

8.1. OPERATING CONDITIONS

TABLE 7: OPERATING CONDITIONS (PACKAGED PARTS)

| CONDITIONS | VALUES |
|---|----------------|
| Commercial operating temperature range (Case temperature) | 0°C to +70°C |
| Industrial operating temperature (Case temperature) | -40°C to +85°C |
| Supply voltage (V_{CC}) ^[1] | +2.7V to +3.3V |
| Ground voltage (V_{SS}) ^[2] | 0V |

TABLE 8: OPERATING CONDITIONS (DIE)

| CONDITIONS | VALUES |
|--|----------------|
| Commercial operating temperature range | 0°C to +50°C |
| Supply voltage (V_{CC}) ^[1] | +2.7V to +3.3V |
| Ground voltage (V_{SS}) ^[2] | 0V |

^[1] $V_{CC} = V_{CCA} = V_{CCD}$

^[2] $V_{SS} = V_{SSA} = V_{SSD}$

9. ELECTRICAL CHARACTERISTICS

9.1. PARAMETERS FOR PACKAGED PARTS

TABLE 9: DC PARAMETERS

| PARAMETERS | SYMBOLS | MIN ^[2] | TYP ^[1] | MAX ^[2] | UNITS | CONDITIONS |
|--|---------------|---------------------|--------------------|---------------------|------------|---|
| Input Low Voltage | V_{IL} | | | $V_{CC} \times 0.2$ | V | |
| Input High Voltage | V_{IH} | $V_{CC} \times 0.8$ | | | V | |
| Output Low Voltage | V_{OL} | | | 0.4 | V | $I_{OL} = 10 \mu A$ |
| RAC, \overline{INT} Output Low Voltage | V_{OL1} | | | 0.4 | V | $I_{OL} = 1 \text{ mA}$ |
| Output High Voltage | V_{OH} | $V_{CC} - 0.4$ | | | V | $I_{OH} = -10 \mu A$ |
| Operating Current | I_{CC} | | | | | |
| - Playback | | | 15 | 30 | mA | $R_{EXT} = \infty$ ^[3] |
| - Record | | | 25 | 40 | mA | $R_{EXT} = \infty$ ^[3] |
| Standby Current | I_{SB} | | 1 | 10 | μA | ^[3] ^[4] |
| Input Leakage Current | I_{IL} | | | ± 1 | μA | |
| MISO Tri-State Current | I_{HZ} | | 1 | 10 | μA | |
| Output Load Impedance | R_{EXT} | 5 | | | K Ω | |
| ANA IN+ Input Resistance | $R_{ANA IN+}$ | 2.2 | 3.0 | 3.8 | K Ω | |
| ANA IN- Input Resistance | $R_{ANA IN-}$ | 40 | 56 | 71 | K Ω | |
| ANA IN+ or ANA IN- to AUD OUT Gain | A_{ARP} | | 23 | | dB | 32 mVpp 1 KHz sinewave input ^[5] |

Notes:

- ^[1] Typical values @ $T_A = 25^\circ C$ and $V_{CC} = 3.0V$.
- ^[2] All Min/Max limits are guaranteed by Nuvoton via electrical testing or characterization. Not all specifications are 100 percent tested.
- ^[3] V_{CCA} and V_{CCD} connected together.
- ^[4] $\overline{SS} = V_{CCA} = V_{CCD}$, $XCLK = MOSI = V_{SSA} = V_{SSA}$ and all other pins floating.
- ^[5] Measured with AutoMute feature disabled.

TABLE 10: AC PARAMETERS (Packaged Parts)

| CHARACTERISTIC | SYMBOLS | MIN ^[2] | TYP ^[1] | MAX ^[2] | UNITS | CONDITIONS |
|---|---|--------------------|----------------------------------|--------------------|------------------------------|--|
| Sampling Frequency ISD4004-08M ISD4004-10M ISD4004-12M ISD4004-16M | F _S | | 8.0 6.4 5.3 4.0 | | KHz KHz KHz KHz | [5] [5] [5] [5] |
| Filter Pass Band ISD4004-08M ISD4004-10M ISD4004-12M ISD4004-16M | F _{CF} | | 3.4 2.7 2.3 1.7 | | KHz KHz KHz KHz | 3 dB Roll-Off Point ^{[3][7]} 3 dB Roll-Off Point ^{[3][7]} 3 dB Roll-Off Point ^{[3][7]} 3 dB Roll-Off Point ^{[3][7]} |
| Record Duration ISD4004-08M ISD4004-10M ISD4004-12M ISD4004-16M | T _{REC} | | 8 10 12 16 | | min min min min | [6] [6] [6] [6] |
| Playback Duration ISD4004-08M ISD4004-10M ISD4004-12M ISD4004-16M | T _{PLAY} | | 8 10 12 16 | | min min min min | [6] [6] [6] [6] |
| Power-Up Delay ISD4004-08M ISD4004-10M ISD4004-12M ISD4004-16M | T _{PUD} | | 25 31.25 37.5 50 | | msec msec msec msec | |
| Stop or Pause in Record or Play ISD4004-08M ISD4004-10M ISD4004-12M ISD4004-16M | T _{STOP} or T _{PAUSE} | | 50 62.5 75 100 | | msec msec msec msec | |
| RAC Clock Period ISD4004-08M ISD4004-10M ISD4004-12M ISD4004-16M | T _{RAC} | | 200 250 300 400 | | msec msec msec msec | [10] [10] [10] [10] |
| RAC Clock Low Time ISD4004-08M ISD4004-10M ISD4004-12M ISD4004-16M | T _{RACL} | | 25 31.25 37.5 50 | | msec msec msec msec | |
| RAC Clock Period in Message Cueing Mode ISD4004-08M ISD4004-10M ISD4004-12M ISD4004-16M | T _{RACM} | | 125 156.3 187.5 250 | | μsec μsec μsec μsec | |
| RAC Clock Low Time in Message Cueing Mode ISD4004-08M ISD4004-10M ISD4004-12M ISD4004-16M | T _{RACML} | | 15.63 19.53 23.44 31.25 | | μsec μsec μsec μsec | |
| Total Harmonic Distortion | THD | | 1 | 2 | % | 32 mVpp 1 KHz sinewave input ^[11] |
| ANA IN Input Voltage | V _{IN} | | | 32 | mV | Peak-to-Peak ^{[4][8][9]} |

Notes:

- [1] Typical values @ $T_A = 25^\circ\text{C}$, $V_{CC} = 3.0\text{V}$ and timing measurement at 50% of V_{CC} level.
- [2] All Min/Max limits are guaranteed by Nuvoton via electrical testing or characterization. Not all specifications are 100 percent tested.
- [3] Low-frequency cutoff depends upon the value of external capacitors (see Pin Descriptions)
- [4] Single-ended input mode. In the differential input mode, V_{IN} maximum for ANA IN+ and ANA IN- is 16 mVp-p.
- [5] Sampling Frequency can vary as much as ± 2.25 percent over the commercial temperature and voltage ranges, and $-6/+4$ percent over the industrial temperature and voltage ranges. For greater stability, an external clock can be utilized (see Pin Descriptions)
- [6] Playback and Record Duration can vary as much as ± 2.25 percent over the commercial temperature and voltage ranges, and $-6/+4$ percent over the industrial temperature and voltage ranges. For greater stability, an external clock can be utilized (see Pin Descriptions)
- [7] Filter specification applies to the antialiasing filter and the smoothing filter. Therefore, from input to output, expect a 6 dB drop by nature of passing through both filters.
- [8] The typical output voltage will be approximately 450 mVp-p with V_{IN} at 32 mVp-p.
- [9] For optimal signal quality, this maximum limit is recommended.
- [10] When a record command is sent, $T_{RAC} = T_{RAC} + T_{RACL}$ on the first row address.
- [11] Measured with AutoMute feature disabled.

9.2. PARAMETERS FOR DIE

TABLE 11: DC PARAMETERS

| PARAMETERS ^[6] | SYMBOLS | MIN ^[2] | TYP ^[1] | MAX ^[2] | UNITS | CONDITIONS |
|------------------------------------|------------------|-----------------------|--------------------|-----------------------|-------|---|
| Input Low Voltage | V _{IL} | | | V _{CC} x 0.2 | V | |
| Input High Voltage | V _{IH} | V _{CC} x 0.8 | | | V | |
| Output Low Voltage | V _{OL} | | | 0.4 | V | I _{OL} = 10 μA |
| RAC, INT Output Low Voltage | V _{OL1} | | | 0.4 | V | I _{OL} = 1 mA |
| Output High Voltage | V _{OH} | V _{CC} - 0.4 | | | V | I _{OH} = -10 μA |
| Operating Current | I _{CC} | | | | | |
| -Playback | | | 15 | 30 | mA | R _{EXT} = ∞ ^[3] |
| -Record | | | 25 | 40 | mA | R _{EXT} = ∞ ^[3] |
| Standby Current | I _{SB} | | 1 | 10 | μA | ^[3] ^[4] |
| Total Harmonic Distortion | THD | | 1 | 2 | % | 32 mVpp 1 KHz sinewave input ^[5] |
| ANA IN+ or ANA IN- to AUD OUT Gain | A _{ARP} | | 23 | | dB | 32 mVpp 1 KHz sinewave input ^[5] |

Notes:

- ^[1] Typical values @ T_A = 25°C and V_{CC} = 3.0V. Sampling Frequency can vary as much as ±2.25 percent over the commercial temperature and voltage ranges.
- ^[2] All Min/Max limits are guaranteed by Nuvoton via electrical testing or characterization. Not all specifications are 100 percent tested.
- ^[3] V_{CCA} and V_{CCD} connected together.
- ^[4] $\overline{SS} = V_{CCA} = V_{CCD}$, XCLK = MOSI = V_{SSA} = V_{SSA} and all other pins floating.
- ^[5] Measured with AutoMute feature disabled.
- ^[6] The test coverage for die is limited to room temperature testing. The test conditions may differ from that of packaged parts.

9.3. SPI AC PARAMETERS

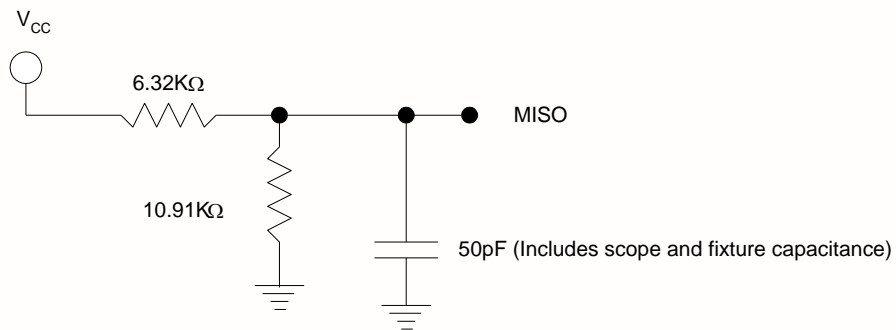
TABLE 12: AC PARAMETERS^[1]

| PARAMETER | SYMBOL | MIN | TYP | MAX | UNITS | CONDITIONS |
|--------------------------------------|---------------------|-----|-----|-------|-------|------------|
| SS Setup Time | T _{SSS} | 500 | | | nsec | |
| SS Hold Time | T _{SSH} | 500 | | | nsec | |
| Data in Setup Time | T _{DIS} | 200 | | | nsec | |
| Data in Hold Time | T _{DIH} | 200 | | | nsec | |
| Output Delay | T _{PD} | | | 500 | nsec | |
| Output Delay to HighZ ^[2] | T _{DF} | | | 500 | nsec | |
| SS HIGH | T _{SSmin} | 1 | | | μsec | |
| SCLK High Time | T _{SCKhi} | 400 | | | nsec | |
| SCLK Low Time | T _{SCKlow} | 400 | | | nsec | |
| CLK Frequency | F ₀ | | | 1,000 | KHz | |

Notes:

^[1] Typical values @ T_A = 25°C, V_{CC} = 3.0V and timing measurement at 50% of V_{CC} level.

^[2] Tri-state test condition.



10. TYPICAL APPLICATION CIRCUIT

These application examples are for illustration purposes only. Nuvoton makes no representation or warranty that such application will be suitable for production.

Make sure all bypass capacitors are as close as possible to the package.

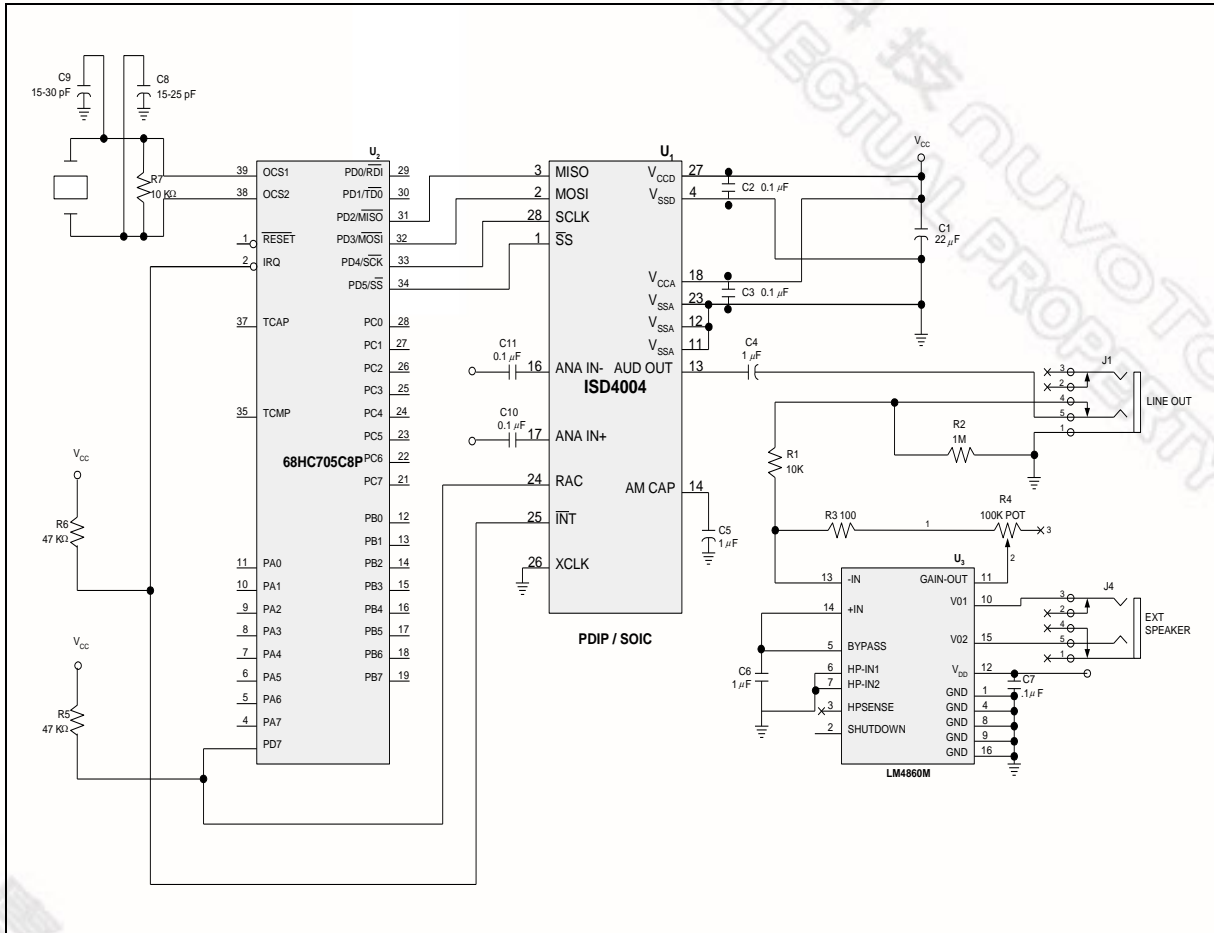


FIGURE 9: APPLICATION EXAMPLE USING SPI

ISD4004 SERIES

nuvoton

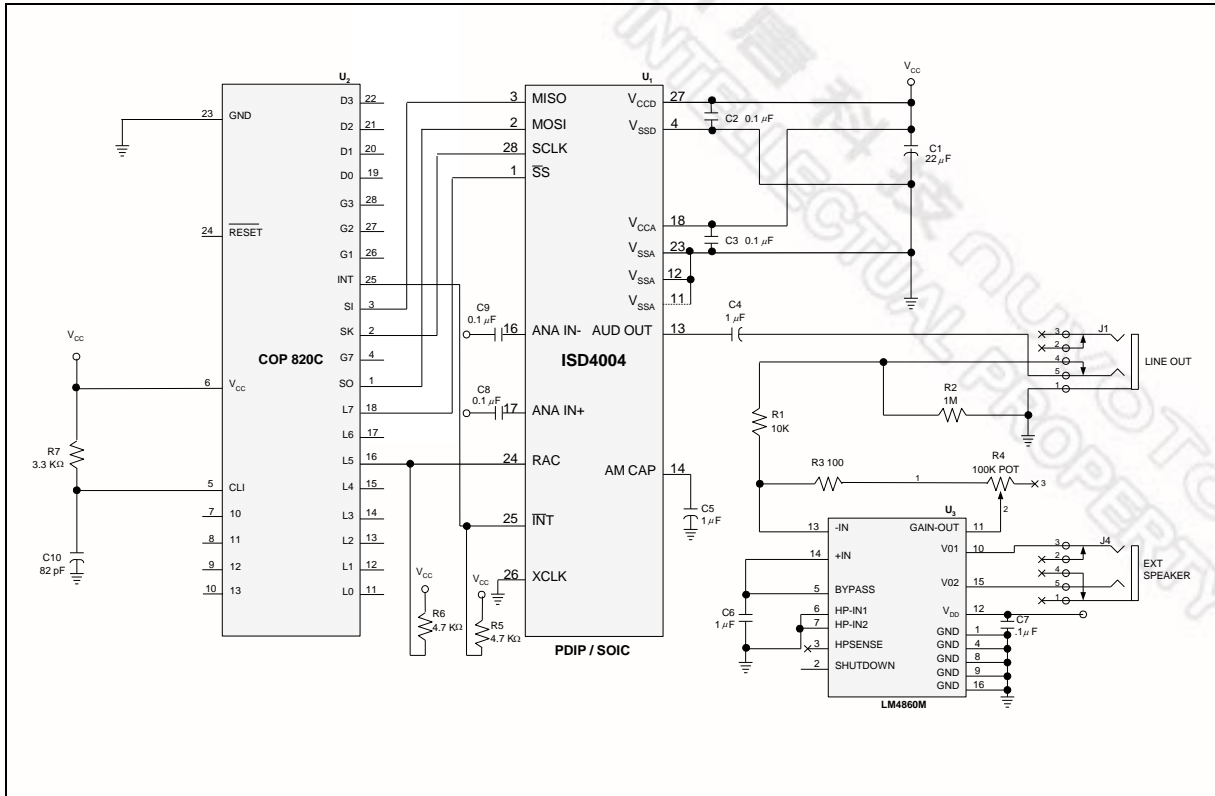


FIGURE 10: APPLICATION EXAMPLE USING MICROWIRE

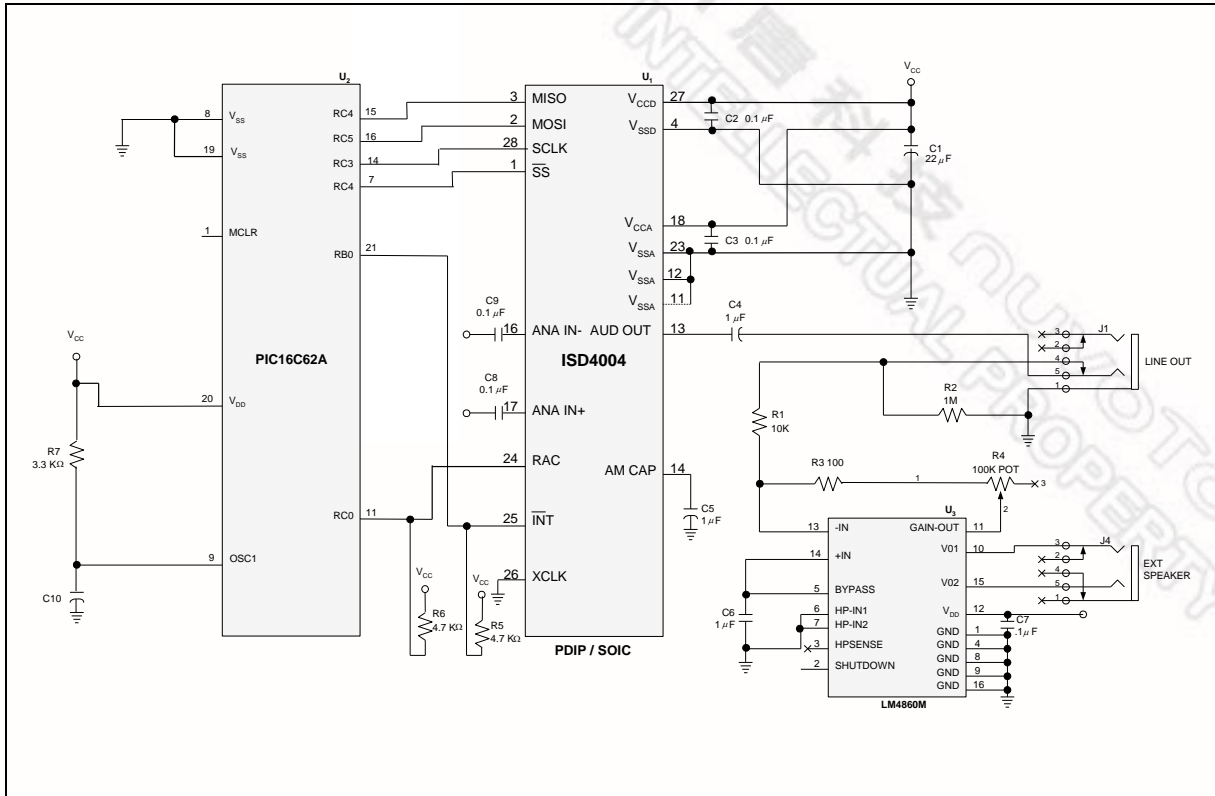
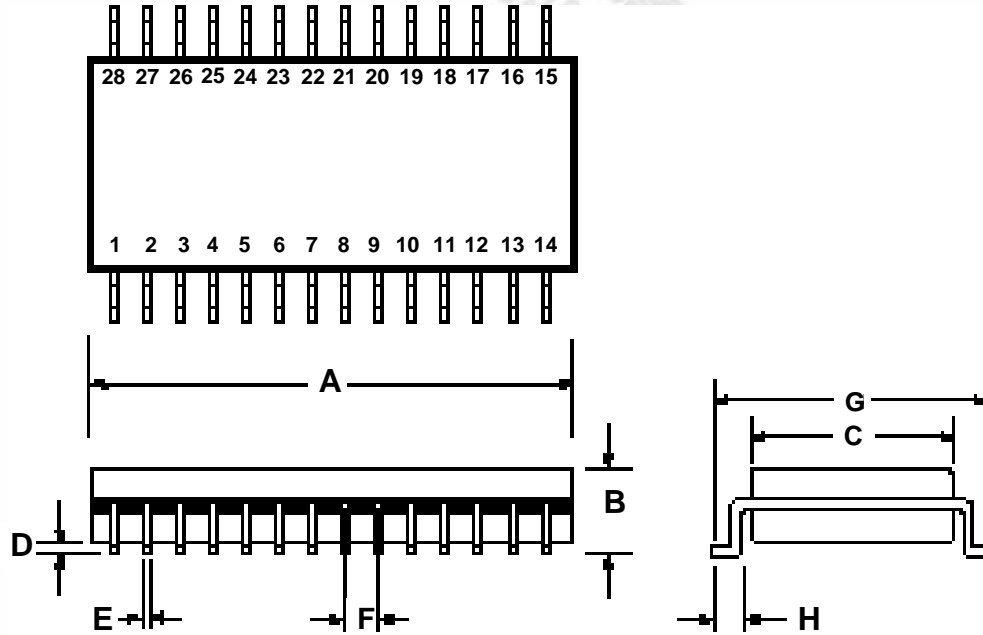


FIGURE 11: APPLICATION EXAMPLE USING SPI PORT ON MICROCONTROLLER

新唐科技 NUVOTON
 INTELLECTUAL PROPERTY

11. PACKAGING AND DIE INFORMATION

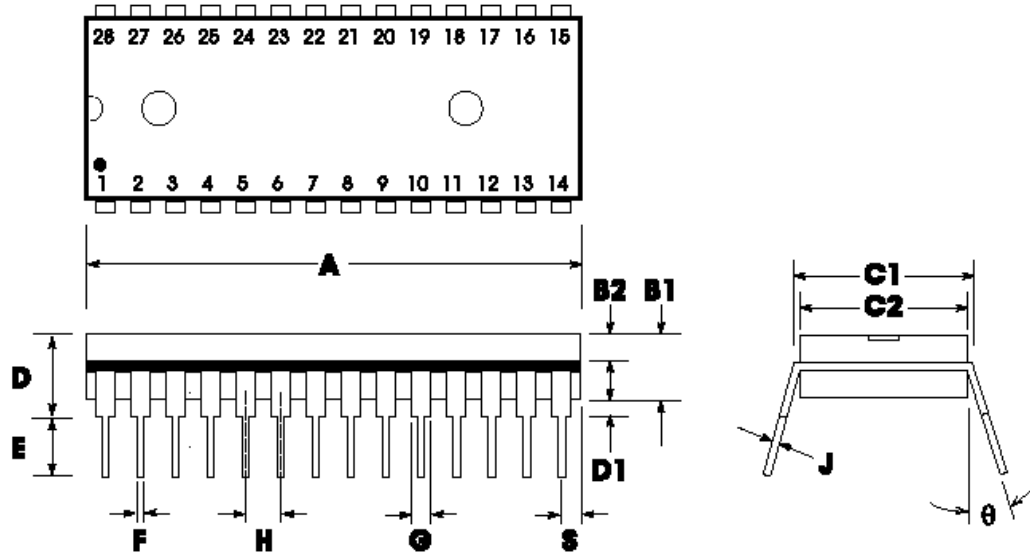
11.1. 28-LEAD 300-MIL PLASTIC SMALL OUTLINE IC (SOIC)



| | INCHES | | | MILLIMETERS | | |
|---|--------|-------|--------|-------------|-------|-------|
| | Min | Nom | Max | Min | Nom | Max |
| A | 0.701 | 0.706 | 0.711 | 17.81 | 17.93 | 18.06 |
| B | 0.097 | 0.101 | 0.104 | 2.46 | 2.56 | 2.64 |
| C | 0.292 | 0.296 | 0.299 | 7.42 | 7.52 | 7.59 |
| D | 0.005 | 0.009 | 0.0115 | 0.127 | 0.22 | 0.29 |
| E | 0.014 | 0.016 | 0.019 | 0.35 | 0.41 | 0.48 |
| F | | 0.050 | | | 1.27 | |
| G | 0.400 | 0.406 | 0.410 | 10.16 | 10.31 | 10.41 |
| H | 0.024 | 0.032 | 0.040 | 0.61 | 0.81 | 1.02 |

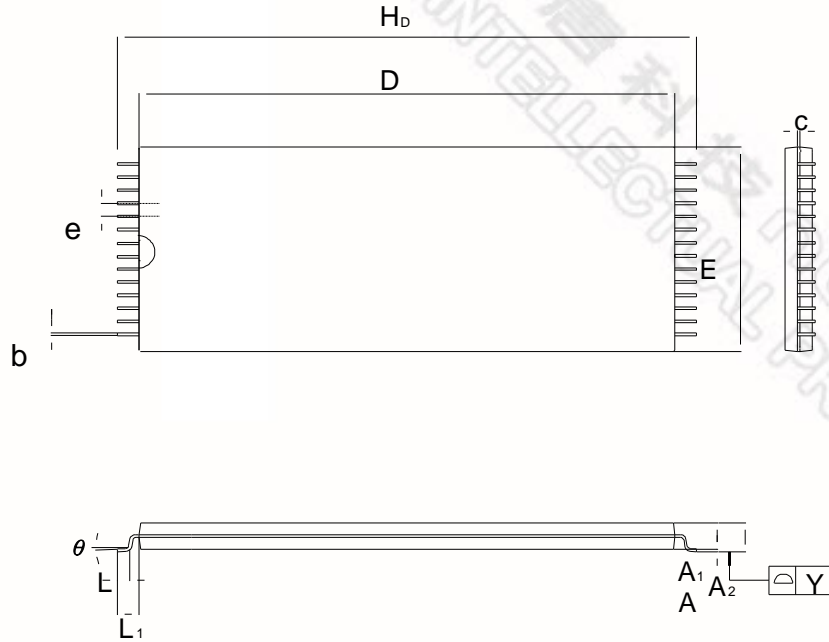
Note: Lead coplanarity to be within 0.004 inches.

11.2. 28-LEAD 600-MIL PLASTIC DUAL INLINE PACKAGE (PDIP)



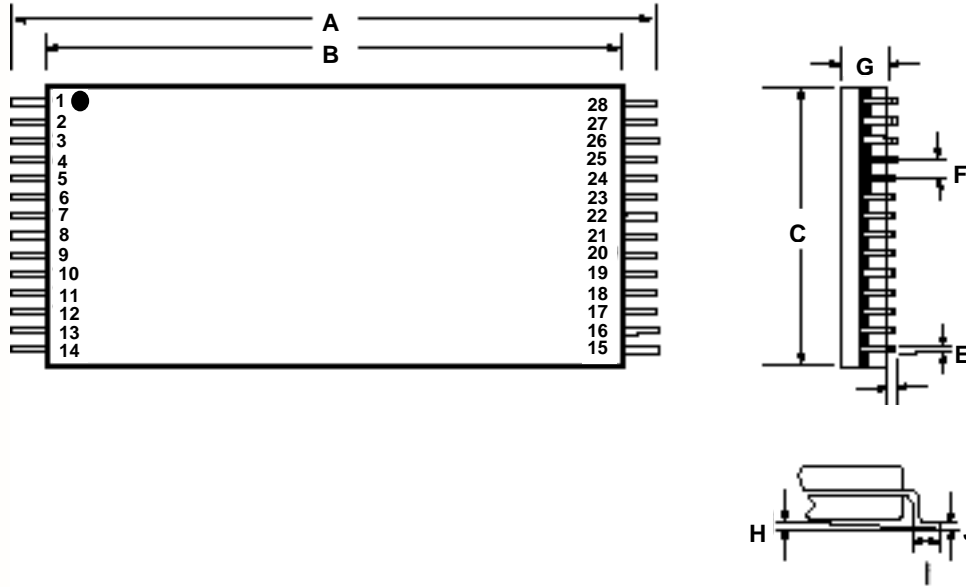
| | INCHES | | | MILLIMETERS | | |
|----|--------|-------|-------|-------------|-------|-------|
| | Min | Nom | Max | Min | Nom | Max |
| A | 1.445 | 1.450 | 1.455 | 36.70 | 36.83 | 36.96 |
| B1 | | 0.150 | | | 3.81 | |
| B2 | 0.065 | 0.070 | 0.075 | 1.65 | 1.78 | 1.91 |
| C1 | 0.600 | | 0.625 | 15.24 | | 15.88 |
| C2 | 0.530 | 0.540 | 0.550 | 13.46 | 13.72 | 13.97 |
| D | | | 0.19 | | | 4.83 |
| D1 | 0.015 | | | 0.38 | | |
| E | 0.125 | | 0.135 | 3.18 | | 3.43 |
| F | 0.015 | 0.018 | 0.022 | 0.38 | 0.46 | 0.56 |
| G | 0.055 | 0.060 | 0.065 | 1.40 | 1.52 | 1.62 |
| H | | 0.100 | | | 2.54 | |
| J | 0.008 | 0.010 | 0.012 | 0.20 | 0.25 | 0.30 |
| S | 0.070 | 0.075 | 0.080 | 1.78 | 1.91 | 2.03 |
| q | 0° | | 15° | 0° | | 15° |

11.3. 28-LEAD 8X13.4MM PLASTIC THIN SMALL OUTLINE PACKAGE (TSOP) TYPE 1 - IQC



| Symbol | Dimension in Inches | | | Dimension in mm | | |
|----------------|---------------------|-------|-------|-----------------|-------|-------|
| | Min. | Nom. | Max. | Min. | Nom. | Max. |
| A | — | — | 0.047 | — | — | 1.20 |
| A ₁ | 0.002 | — | 0.006 | 0.05 | — | 0.15 |
| A ₂ | 0.035 | 0.040 | 0.041 | 0.95 | 1.00 | 1.05 |
| b | 0.007 | 0.008 | 0.011 | 0.17 | 0.20 | 0.27 |
| c | 0.004 | 0.006 | 0.008 | 0.10 | 0.15 | 0.21 |
| D | 0.461 | 0.465 | 0.469 | 11.70 | 11.80 | 11.90 |
| E | 0.311 | 0.315 | 0.319 | 7.90 | 8.00 | 8.10 |
| H _b | 0.520 | 0.528 | 0.536 | 13.20 | 13.40 | 13.60 |
| e | — | 0.022 | — | — | 0.55 | — |
| L | 0.020 | 0.024 | 0.028 | 0.50 | 0.60 | 0.70 |
| L ₁ | — | 0.031 | — | — | 0.80 | — |
| Y | 0.000 | — | 0.004 | 0.00 | — | 0.10 |
| θ | 0 | 3 | 5 | 0 | 3 | 5 |

11.4. 28-LEAD 8X13.4MM PLASTIC THIN SMALL OUTLINE PACKAGE (TSOP) TYPE 1



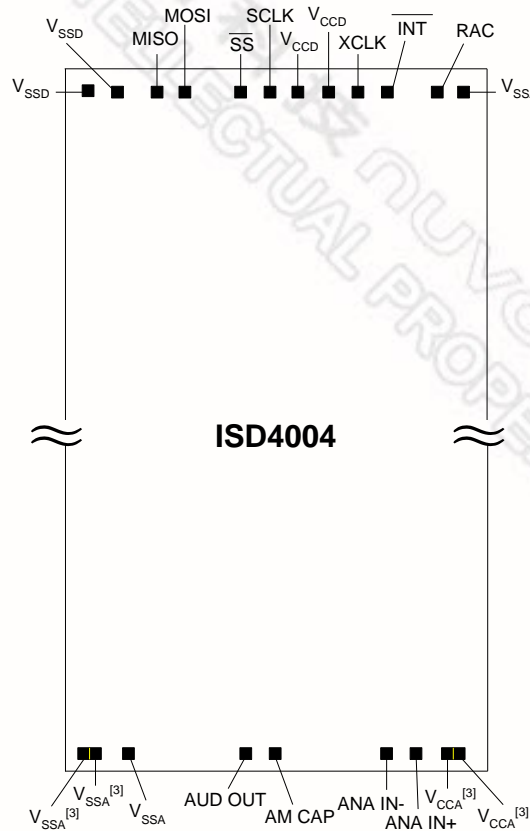
| | INCHES | | | MILLIMETERS | | |
|---|--------|--------|-------|-------------|-------|-------|
| | Min | Nom | Max | Min | Nom | Max |
| A | 0.520 | 0.528 | 0.535 | 13.20 | 13.40 | 13.60 |
| B | 0.461 | 0.465 | 0.469 | 11.70 | 11.80 | 11.90 |
| C | 0.311 | 0.315 | 0.319 | 7.90 | 8.00 | 8.10 |
| D | 0.002 | | 0.006 | 0.05 | | 0.15 |
| E | 0.007 | 0.009 | 0.011 | 0.17 | 0.22 | 0.27 |
| F | | 0.0217 | | | 0.55 | |
| G | 0.037 | 0.039 | 0.041 | 0.95 | 1.00 | 1.05 |
| H | 0° | 3° | 6° | 0° | 3° | 6° |
| I | 0.020 | 0.022 | 0.028 | 0.50 | 0.55 | 0.70 |
| J | 0.004 | | 0.008 | 0.10 | | 0.21 |

Note: Lead coplanarity to be within 0.004 inches.

11.5. DIE INFORMATION

ISD4004 Series

- Die Dimensions (with scribe line) ^[1]
 - X: 166.6 ± 1 mils
 - Y: 385.0 ± 1 mils
- Die Thickness ^[2]
 - 11.5 ± 0.5 mils
- Pad Opening
 - Single pad: 90 x 90 microns
 - Double pad: 180 x 90 microns



Notes:

- ^[1] The backside of die is internally connected to V_{SS}. It **MUST NOT** be connected to any other potential or damage may occur.
- ^[2] Die thickness is subject to change, please contact Nuvoton as this thickness may change in the future.
- ^[3] Double bond is recommended if treated as one pad.

ISD4004 SERIES PAD COORDINATIONS

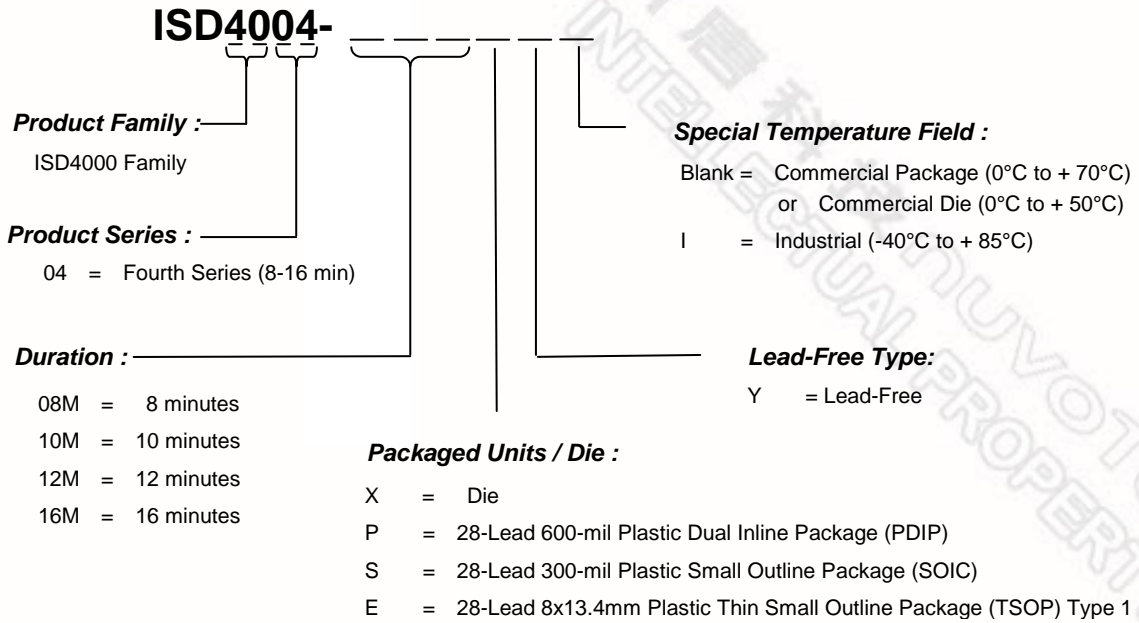
(with respect to die center)

| Pad | Pad Description | X Axis (μm) | Y Axis (μm) |
|---------------------------------|---------------------------|--------------------------|--------------------------|
| V _{SSA} | Analog Ground | 1885.2 | 4623.7 |
| RAC | Row Address Clock | 1483.8 | 4623.7 |
| $\overline{\text{INT}}$ | Interrupt | 794.8 | 4623.7 |
| XCLK | External Clock Input | 564.8 | 4623.7 |
| V _{CCD} | Digital Power Supply | 387.9 | 4623.7 |
| V _{CCD} | Digital Power Supply | 169.5 | 4623.7 |
| SCLK | Slave Clock | -14.7 | 4623.7 |
| $\overline{\text{SS}}$ | Slave Select | -198.1 | 4623.7 |
| MOSI | Master Out Slave In | -1063.7 | 4623.7 |
| MISO | Master In Slave Out | -1325.6 | 4623.7 |
| V _{SSD} | Digital Ground | -1665.3 | 4623.7 |
| V _{SSD} | Digital Ground | -1836.9 | 4623.7 |
| V _{SSA} ^[1] | Analog Ground | -1943.1 | -4622.4 |
| V _{SSA} ^[1] | Analog Ground | -1853.1 | -4622.4 |
| V _{SSA} | Analog Ground | -1599.9 | -4622.4 |
| AUD OUT | Audio Output | 281.9 | -4622.4 |
| AM CAP | AutoMute | 577.3 | -4622.4 |
| ANA IN- | Inverting Analog Input | 1449.3 | -4622.4 |
| ANA IN+ | Noninverting Analog Input | 1603.5 | -4622.4 |
| V _{CCA} ^[1] | Analog Power Supply | 1853.7 | -4622.4 |
| V _{CCA} ^[1] | Analog Power Supply | 1943.7 | -4622.4 |

Note:

^[1] Double bond recommended if treated as one pad.

12. ORDERING INFORMATION



When ordering the devices, please refer to the following valid ordering numbers and contact the local Nuvoton Sales Representatives for availability.

| Type | Duration | 8 Minutes | | 10 Minutes | | 12 Minutes | | 16 Minutes | | |
|-----------|----------|-----------|----------------|------------|----------------|------------|---------------|------------|----------------|----------|
| | | Package | Part # | Order # | Part # | Order # | Part # | Order # | Part # | Order # |
| Lead-Free | Die | | ISD4004-08MX | I4408X | ISD4004-10MX | I4410X | ISD4004-12MX | I4412X | ISD4004-16MX | I4416X |
| | PDIP | | ISD4004-08MPY | I4408PY | ISD4004-10MPY | I4410PY | ISD4004-12MP | I4412PY | ISD4004-16MPY | I4416PY |
| | SOIC | | ISD4004-08MSY | I4408SY | ISD4004-10MSY | I4410SY | ISD4004-12MS | I4412SY | ISD4004-16MSY | I4416SY |
| | | | ISD4004-08MSYI | I4408SYI | ISD4004-10MSYI | I4410SYI | ISD4004-12MSI | I4412SYI | ISD4004-16MSYI | I4416SYI |
| | TSOP | | ISD4004-08MEY | I4408EY | ISD4004-10MEY | I4410EY | ISD4004-12ME | I4412EY | ISD4004-16MEY | I4416EY |
| | | | ISD4004-08MEYI | I4408EYI | ISD4004-10MEYI | I4410EYI | ISD4004-12MEI | I4412EYI | ISD4004-16MEYI | I4416EYI |

For the latest product information, access Nuvoton worldwide website at <http://www.Nuvoton-usa.com>

13. VERSION HISTORY

| VERSION | DATE | DESCRIPTION |
|---------|--------------|--|
| 0 | June 2000 | Initial version |
| 1.0 | Feb. 2004 | Reformat the document. Add note for typical filter pass band. Add memory architecture description. Revise RAC timing parameter for MC. Revise AutoMute: playback only. Revise SPI, opcodes sections, record & playback steps. Rename T_{RACLO} to T_{RACL} . Revise A_{ARP} parameter. Revise DC & AC parameters tables for die. Revise die: (x,y) coordinates. |
| 1.1 | Apr. 2005 | Add lead-free parts. Revise the Ordering information. Revise disclaim section. |
| 1.2 | Oct. 2005 | Revise Packaging information. |
| 1.3 | Jul. 2007 | Remove the leaded package option Remove the extended temperature option Update the external clock description Revise Ordering Information section |
| 1.31 | Oct 31, 2008 | Change to Nuvoton logo Revise MISO description |

ISD4004 SERIES

nuvoton

Nuvoton products are not designed, intended, authorized or warranted for use as components in systems or equipment intended for surgical implantation, atomic energy control instruments, airplane or spaceship instruments, transportation instruments, traffic signal instruments, combustion control instruments, or for other applications intended to support or sustain life. Furthermore, Nuvoton products are not intended for applications wherein failure of Nuvoton products could result or lead to a situation wherein personal injury, death or severe property or environmental damage could occur.

Nuvoton customers using or selling these products for use in such applications do so at their own risk and agree to fully indemnify Nuvoton for any damages resulting from such improper use or sales.

The contents of this document are provided only as a guide for the applications of Nuvoton products. Nuvoton makes no representation or warranties with respect to the accuracy or completeness of the contents of this publication and reserves the right to discontinue or make changes to specifications and product descriptions at any time without notice. No license, whether express or implied, to any intellectual property or other right of Nuvoton or others is granted by this publication. Except as set forth in Nuvoton's Standard Terms and Conditions of Sale, Nuvoton assumes no liability whatsoever and disclaims any express or implied warranty of merchantability, fitness for a particular purpose or infringement of any Intellectual property.

The contents of this document are provided "AS IS", and Nuvoton assumes no liability whatsoever and disclaims any express or implied warranty of merchantability, fitness for a particular purpose or infringement of any Intellectual property. In no event, shall Nuvoton be liable for any damages whatsoever (including, without limitation, damages for loss of profits, business interruption, loss of information) arising out of the use of or inability to use the contents of this documents, even if Nuvoton has been advised of the possibility of such damages.

Application examples and alternative uses of any integrated circuit contained in this publication are for illustration only and Nuvoton makes no representation or warranty that such applications shall be suitable for the use specified.

The 100-year retention and 100K record cycle projections are based upon accelerated reliability tests, as published in the Nuvoton Reliability Report, and are neither warranted nor guaranteed by Nuvoton. This product incorporates SuperFlash®.

Information contained in this ISD® ChipCorder® datasheet supersedes all data for the ISD ChipCorder products published by ISD® prior to August, 1998.

This datasheet and any future addendum to this datasheet is(are) the complete and controlling ISD® ChipCorder® product specifications. In the event any inconsistencies exist between the information in this and other product documentation, or in the event that other product documentation contains information in addition to the information in this, the information contained herein supersedes and governs such other information in its entirety. This datasheet is subject to change without notice.

Copyright© 2005, Nuvoton Technology Corporation. All rights reserved. ChipCorder® and ISD® are trademarks of Nuvoton Technology Corporation. SuperFlash® is the trademark of Silicon Storage Technology, Inc. All other trademarks are properties of their respective owners.

Headquarters

No. 4, Creation Rd. III
Science-Based Industrial Park,
Hsinchu, Taiwan
TEL: 886-3-5770066
FAX: 886-3-5665577
<http://www.Nuvoton.com.tw/>

Nuvoton Technology Corporation America

2727 North First Street, San Jose,
CA 95134, U.S.A.
TEL: 1-408-9436666
FAX: 1-408-5441797
<http://www.Nuvoton-usa.com/>

Nuvoton Technology (Shanghai) Ltd.

27F, 299 Yan An W. Rd. Shanghai,
200336 China
TEL: 86-21-62365999
FAX: 86-21-62356998

Taipei Office

9F, No. 480, Pueiguang Rd.
Neihu District
Taipei, 114 Taiwan
TEL: 886-2-8177168
FAX: 886-2-87153579

Nuvoton Technology Corporation Japan

7F Daini-ueno BLDG. 3-7-18
Shinyokohama Kohokuku,
Yokohama, 222-0033
TEL: 81-45-4781881
FAX: 81-45-4781800

Nuvoton Technology (H.K.) Ltd.

Unit 9-15, 22F, Millennium City,
No. 378 Kwun Tong Rd.,
Kowloon, Hong Kong
TEL: 852-27513100
FAX: 852-27552064

Please note that all data and specifications are subject to change without notice.
All the trademarks of products and companies mentioned in this datasheet belong to their respective owners.

Publication Release Date: Oct 31, 2008

Revision 1.31