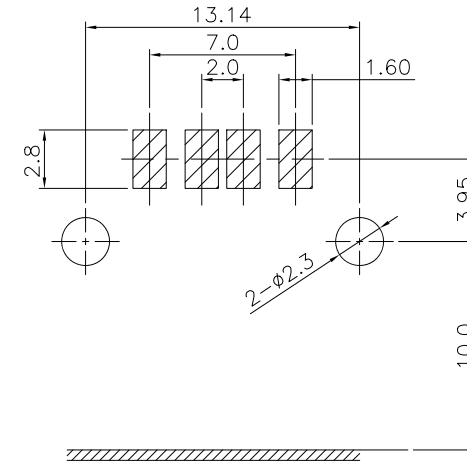


Specifications:
 Current Rating: 1.0A AC/DC
 Contact Resistance: 30m ohm. Max.
 Insulation Resistance: 1,000M ohm. min.
 Withstanding Voltage: 500V AC/Minute
 Operating Temperature Range: -20°C ~ +85°C

Material and Finish
 Insulator: High Temp. Plastic (UL94V-0)
 Insulator Color: Black
 Contact: Copper Alloy
 Plating: Gold Plated 30u" on Contact Area,
 Tin Plated on Solder Tail.
 Shell: Copper Alloy, Nickel Plated
 Packing: Tape & Reel



Recommended P.C.B. Layout

RoHS Compliant

				DRAWN: Lucy	GENERAL TOLERANCE: .X=±0.30 .XX=±0.20	<h1 style="color: red; text-align: center;">CnC Tech</h1> <p style="text-align: center;">Industrial Cable and Connector Technology</p>	
				CHECKED: Jerry	UNIT: MM		
				APPROVAL: Rory	SCALE: 1:1	PART NO: 1002-002-01100-TR	
REV	DATE	FILE	BY		PROJECTION:		