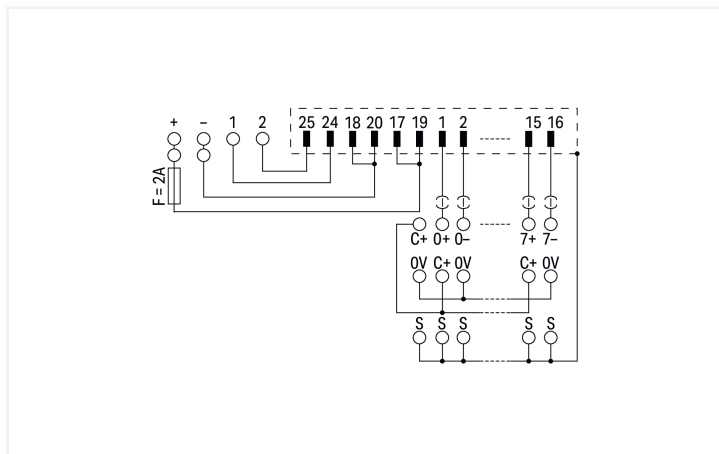
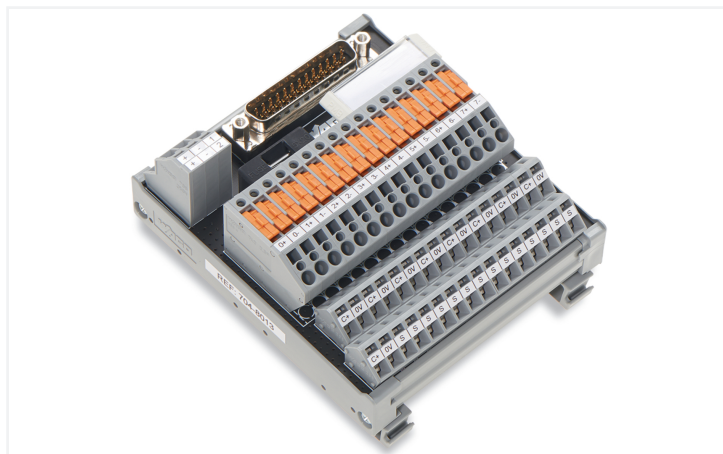


Data Sheet | Item Number: 704-8013

Interface module for system wiring; with solder pin; Male connector; 25-pole; 8-channel analog input or output; 4-wire; PCB terminal blocks; in mounting carrier

<https://www.wago.com/704-8013>



Electrical data

Inputs/outputs	8-channel analog input or output
Circuit type	2-wire connection 4-wire connection
Operating voltage	≤ 48 VDC
Limiting continuous current	1 A
Internal fuse	Supply: 2 A
Specialty functions	With disconnect/test terminal blocks

Safety and protection

Rated Voltage	50 V
Rated impulse withstand voltage	0.8 kV
Pollution degree	2

Compatibility

Siemens

Siemens S7-300	6ES7 331-1KF02-0AB0 6ES7 331-7HF01-0AB0 6ES7 331-7KF02-0AB0 6ES7 331-7NF00-0AB0 6ES7 331-7NF10-0AB0 6ES7 331-7PF01-0AB0 6ES7 331-7SF00-0AB0 6ES7 331-7TF00-0AB0 6ES7 332-5HF00-0AB0 6ES7 332-8TF01-0AB0 6ES7 334-0CE01-0AA0 6ES7 336-4GE01-0AB0
----------------	--

Siemens S7-400	6ES7 431-1KF00-0AB0 6ES7 431-1KF10-0AB0 6ES7 431-1KF20-0AB0 6ES7 431-7KF00-0AB0 6ES7 432-1HF00-0AB0
----------------	---

Siemens

Siemens S7-1500	6ES7 531-7KF00-0AB0 6ES7 531-7MH00-0AB0 6ES7 531-7NF00-0AB0 6ES7 531-7NF10-0AB0 6ES7 531-7PF00-0AB0 6ES7 531-7QF00-0AB0 6ES7 532-5HF00-0AB0 6ES7 534-7QE00-0AB0
-----------------	--



GE Fanuc	
GE Fanuc 9030	IC693 ALG222 IC693 ALG223 IC693 ALG392
GE Fanuc RX3i	IC694 ALG223 IC694 ALG392

Schneider	
Schneider Modicon TM3	TM3 A18(G) TM3 AM6(G) TM3 T18T(G)
Schneider Modicon M340	BMX ART 0414 BMX ART 0814 BMX AMI 0800 BMX AMI 0810 BMX AMM 0600 BMX AMO 0802
Schneider Modicon Quantum	140 ACI 030 00 140 ACI 040 00 140 ACO 130 00 140 ARI 030 10 140 AVI 030 00
Schneider TSX	TSX AEY 414 TSX AEZ 801 TSX AEZ 802

Rockwell	
Rockwell Compact Logix	1769 - IF16C 1769 - IF4XOF2 (F) 1769 - IR6 1769 - OF8C 1769 - OF8V
Rockwell Control Logix	1756 - IF6CIS 1756 - IF6I 1756 - IF8 1756 - IF8H 1756 - IF16 1756 - IR6I 1756 - OF6CI 1756 - OF6VI 1756 - OF8 1756 - OF8H

WAGO	
WAGO I/O System 753	753-453 (x2) 753-455 (x2) 753-457 (x2) 753-459 (x2) 753-553 (x2) 753-555 (x2) 753-557 (x2) 753-559 (x2)

Connection Data

Connection 1	
Pluggable connector	D-subminiature male connector
Pole number 1	25
Connection type	System
Note (conductor cross-section)	12 AWG: THHN, THWN
Mating direction	vertical

Connection 2	
Design	PCB terminal blocks
Pole number	16
Connection type	Field
WAGO connector	WAGO 742 Series
Solid conductor	0.08 ... 2.5 mm ² / 28 ... 12 AWG
Fine-stranded conductor	0.08 ... 2.5 mm ² / 28 ... 12 AWG
Strip length	8 ... 9 mm / 0.31 ... 0.35 inches

Connection 3	
Design	PCB terminal blocks (double-row)
Pole number	32
Connection type	Field
WAGO connector	WAGO 236 Series
Solid conductor	0.08 ... 2.5 mm ² / 28 ... 12 AWG
Fine-stranded conductor	0.08 ... 2.5 mm ² / 28 ... 12 AWG
Strip length	5 ... 6 mm / 0.2 ... 0.24 inches

Connection 4	
Design	PCB terminal blocks (double-deck)
Pole number	6
Connection type	Power supply
Connection technology	CAGE CLAMP®
WAGO connector	WAGO 736 Series
Solid conductor	0.08 ... 2.5 mm ² / 28 ... 12 AWG
Fine-stranded conductor	0.08 ... 2.5 mm ² / 28 ... 12 AWG
Strip length	5 ... 6 mm / 0.2 ... 0.24 inches

Physical data

Width	92 mm / 3.62 inches
Height	105 mm / 4.134 inches
Depth from upper-edge of DIN-rail	50 mm / 1.969 inches

Mechanical data

Mounting type	DIN-35 rail
---------------	-------------

Material data

Fire load	2.101 MJ
Weight	190 g

Environmental requirements

Ambient temperature (operation)	-20 ... +50 °C
Ambient temperature (storage)	-40 ... +70 °C
Relative humidity	≤ 85 % (non-condensing)

Commercial data

Product Group	30 (WAGO France)
PU (SPU)	1 pcs
Packaging type	Box
Country of origin	FR
GTIN	4050821115564
Customs tariff number	85366990990

Product Classification

UNSPSC	39121421
eCl@ss 10.0	27-14-11-52
eCl@ss 9.0	27-14-11-52
ETIM 9.0	EC002780
ETIM 10.0	EC002780
ECCN	NO US CLASSIFICATION

Environmental Product Compliance

RoHS Compliance Status	Compliant, No Exemption
------------------------	-------------------------

Downloads

Environmental Product Compliance

Compliance Search

Environmental Product
Compliance 704-8013



Documentation

Bid Text			
704-8013	19.02.2019	xml 3.55 KB	
704-8013	20.11.2015	doc 25.50 KB	

CAD/CAE-Data

CAD data	
2D/3D Models 704-8013	

CAE data	
EPLAN Data Portal 704-8013	
WSCAD Universe 704-8013	

1 Compatible Products

1.1 Optional Accessories

1.1.1 Cables and connectors

1.1.1.1 System cable



Item No.: 706-2300/406-100
System cable; for Siemens S7-300; 8 Analog Current Inputs, Spec. Wiring; Length: 1 m; Conductor cross-section: 0.25 mm²

Item No.: 706-2300/406-200
System cable; for Siemens S7-300; 8 Analog Current Inputs, Spec. Wiring; Length: 2 m; Conductor cross-section: 0.25 mm²

Item No.: 706-2300/406-300
System cable; for Siemens S7-300; 8 Analog Current Inputs, Spec. Wiring; Length: 3 m; Conductor cross-section: 0.25 mm²

Item No.: 706-2300/404-100
System cable; for Siemens S7-300; 8 analog inputs (current), var. 1; Length: 1 m; Conductor cross-section: 0.25 mm²



Item No.: 706-2300/404-200
System cable; for Siemens S7-300; 8 analog inputs (current), var. 1; Length: 2 m; Conductor cross-section: 0.25 mm²

Item No.: 706-2300/404-300
System cable; for Siemens S7-300; 8 analog inputs (current), var. 1; Length: 3 m; Conductor cross-section: 0.25 mm²

Item No.: 706-2300/400-100
System cable; for Siemens S7-300; 8 analog inputs; Length: 1 m; Conductor cross-section: 0.25 mm²

Item No.: 706-2300/400-200
System cable; for Siemens S7-300; 8 analog inputs; Length: 2 m; Conductor cross-section: 0.25 mm²



Item No.: 706-2300/400-300
System cable; for Siemens S7-300; 8 analog inputs; Length: 3 m; Conductor cross-section: 0.25 mm²

Item No.: 706-2300/502-100
System cable; for Siemens S7-300; 8 analog outputs (current); Length: 1 m; Conductor cross-section: 0.25 mm²

Item No.: 706-2300/502-200
System cable; for Siemens S7-300; 8 analog outputs (current); Length: 2 m; Conductor cross-section: 0.25 mm²

Item No.: 706-2300/502-300
System cable; for Siemens S7-300; 8 analog outputs (current); Length: 3 m; Conductor cross-section: 0.25 mm²

1.1.2 Marking

1.1.2.1 Marking strip



Item No.: 709-196
Marking strips; for laser printer; translucent

Item No.: 2009-110
Marking strips; for Smart Printer; on reel; not stretchable; plain; snap-on type; white

Item No.: 709-177
Marking strips; on reel; 7.5 mm wide; not stretchable; plain; snap-on type; translucent

Item No.: 709-178
Marking strips; on reel; 7.5 mm wide; not stretchable; plain; snap-on type; white

Subject to changes. Please also observe the further product documentation!

Current addresses can be found at: www.wago.com