

TACT Switch™ Surface Mount Type

4.5mm Square (Surface Mount) SKRM Series

Compact, thin-profile type with a height of 0.4mm.



- Series type: Sharp feeling type
- Absolute Maximum Ratings: 50mA 12V DC
- Rating (min.): 10 μ A 1V DC

Applications: Mobile: Headsets, wearables, Notebooks, peripherals

Product List

Products No.	Operating direction	Operating force (N)	Travel (mm)	Operating life (cycles)	Initial contact resistance	Dimensions (W×D×H) (mm)	Water-proof	Dust-proof	Automotive	Drawing No.
SKRMAE010	Top push	1.57	0.15	500,000	100m Ω max.	4.5×4.5×0.4	—	—	—	1
SKRMABE010	Top push	2.55	0.2	100,000	100m Ω max.	4.5×4.5×0.4	—	—	—	

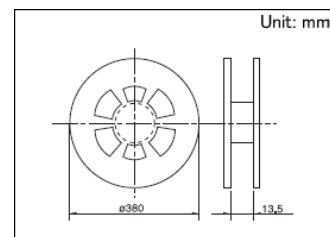
Note

1. This catalog shows only outline specifications. When using the products, please obtain formal specifications for supply.
2. Please place purchase orders for taping products per minimum order unit (1 reel or a case).

Packing Specifications

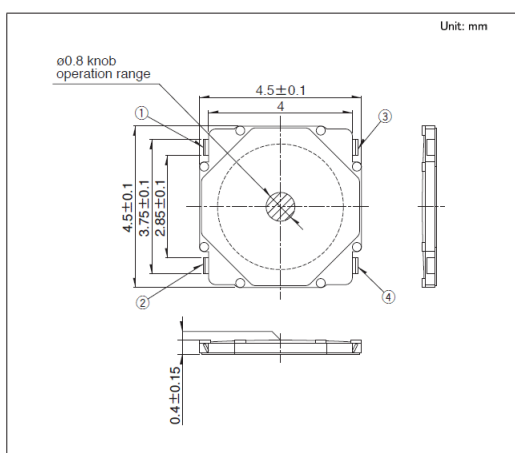
Taping

Number of packages (pcs.)			Tape width (mm)	Export package measurements (mm)
1 reel	1 case / Japan	1 case / export packing		
10,000	100,000	100,000	12	395 x 395 x 205

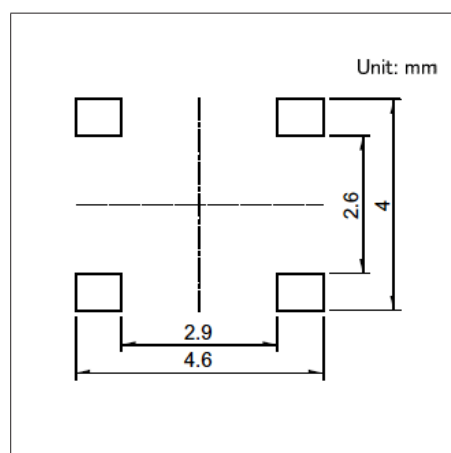


Drawing No.1

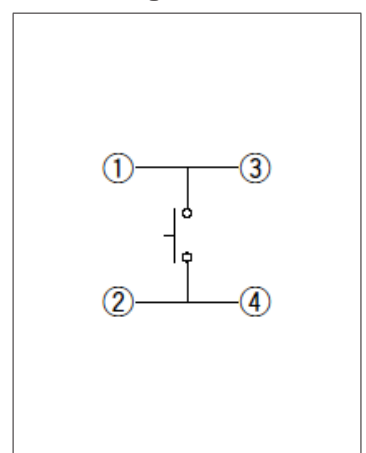
Dimensions



Land Dimensions



Circuit Diagram



Viewed from mounting face.