

# SACC-MINMS-4CON-PG 9 - Connector



1521326

<https://www.phoenixcontact.com/us/products/1521326>

Please be informed that the data shown in this PDF document is generated from our online catalog. Please find the complete data in the user documentation. Our general terms of use for downloads are valid.



Connector, Universal, 4-position, Plug straight 7/8"-16UNF, coding: A, Screw connection, knurl material: Zinc die-cast, nickel-plated, cable gland Pg9, external cable diameter 6 mm ... 8 mm, Contact 4 leading

## Your advantages

- Safe use in the field, thanks to a high degree of protection
- Screw connection: proven connection technology for a large selection of different conductors

## Commercial data

Item number	1521326
Packing unit	1 pc
Minimum order quantity	1 pc
Sales key	BF30
Product key	BF2FAA
Catalog page	Page 25 (C-2-2017)
GTIN	4017918949556
Weight per piece (including packing)	52.96 g
Weight per piece (excluding packing)	43.5 g
Customs tariff number	85366990
Country of origin	DE

# SACC-MINMS-4CON-PG 9 - Connector



1521326

<https://www.phoenixcontact.com/us/products/1521326>

## Technical data

### Notes

Assembly note	<b>NOTE:</b> Observe the permissible bending radii when laying conductors, since the degree of protection may be put in jeopardy if the bending forces are too high. Alleviate mechanical loads upstream of the connector, e.g. by using cable ties.
---------------	--

### Mounting

Assembly note	The wires can be connected both with ferrules and without ferrules
---------------	--

### Product properties

Product type	Circular connector (cable-side)
Sensor type	Universal
Number of positions	4
No. of cable outlets	1
Shielded	no
Coding	A
Pg screw connection	Pg9

### Insulation characteristics

Overvoltage category	III
Degree of pollution	3

### Dimensions

Dimensional drawing	
Length	83 mm

### External dimensions

Outside diameter	6 mm ... 8 mm
------------------	---------------

### Housing

Diameter housing	27 mm
------------------	-------

### Material specifications

Flammability rating according to UL 94	HB
Material of grip body	PBT
Contact material	CuZn
Contact surface material	Au
Contact carrier material	PUR/PA 6.6
Material for screw connection	Zinc die-cast, nickel-plated

### Connection data

# SACC-MINMS-4CON-PG 9 - Connector



1521326

<https://www.phoenixcontact.com/us/products/1521326>

## Conductor connection

Connection method	Screw connection
Connection cross section	0.34 mm <sup>2</sup> ... 1.5 mm <sup>2</sup> (without ferrule)
	0.34 mm <sup>2</sup> ... 1.5 mm <sup>2</sup> (with ferrule)
	0.34 mm <sup>2</sup> ... 1.5 mm <sup>2</sup> (solid)
Connection cross section AWG	22 ... 16 (without ferrule)
	22 ... 16 (with ferrule)
Stripping length of the individual wire	7 mm
Tightening torque	0.8 Nm (7/8" connectors)
	0.4 Nm (Screw terminal blocks)
	0.8 Nm ... 1 Nm (Pressure screw)

## Electrical properties

Rated surge voltage	4 kV
Contact resistance	≤ 5 mΩ
Insulation resistance	≥ 100 MΩ
Nominal voltage U <sub>N</sub>	300 V AC
	300 V DC
Nominal current I <sub>N</sub>	9 A

## Mechanical properties

### Mechanical data

Insertion/withdrawal cycles	≥ 100
-----------------------------	-------

## Connector

### Connection 1

Head design	Plug
Head cable outlet	straight
Head thread type	7/8"-16UNF
Coding	A

## Cable/line

Signal type/category	Universal
Stripping length of the individual wire	7 mm

## Environmental and real-life conditions

### Ambient conditions

Degree of protection	IP67
Ambient temperature (operation)	-25 °C ... 85 °C (Plug / socket)

# SACC-MINMS-4CON-PG 9 - Connector

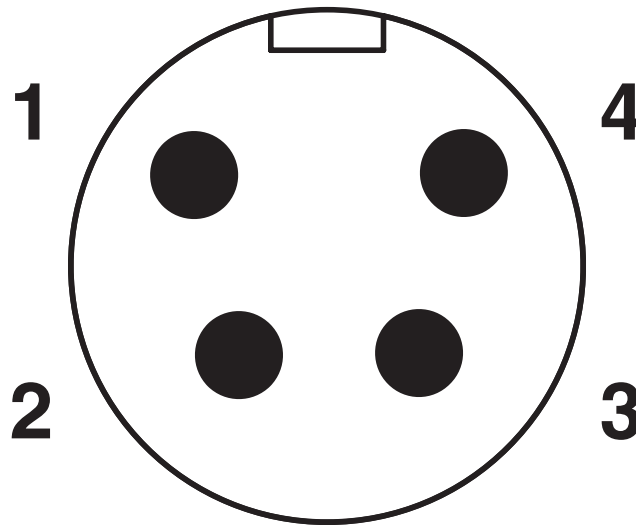


1521326

<https://www.phoenixcontact.com/us/products/1521326>

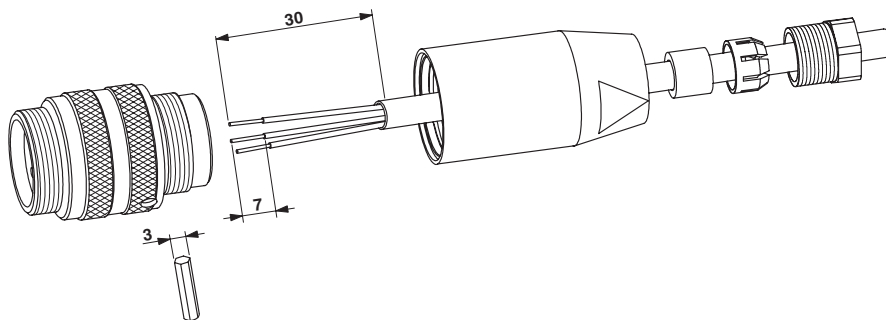
## Drawings

Schematic diagram



Pin assignment, plug, 7/8"-16UNF, 4-pos., view of male side

Functional drawing



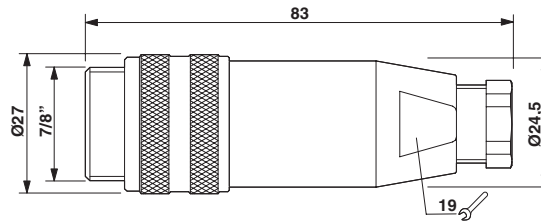
# SACC-MINMS-4CON-PG 9 - Connector

1521326

<https://www.phoenixcontact.com/us/products/1521326>



Dimensional drawing



Plug 7/8"-16UNF, straight, Pg9

# SACC-MINMS-4CON-PG 9 - Connector





1521326


<https://www.phoenixcontact.com/us/products/1521326>

## Approvals

To download certificates, visit the product detail page: <https://www.phoenixcontact.com/us/products/1521326>

 <b>cUL Recognized</b> Approval ID: FILE E 221474				
	Nominal voltage $U_N$	Nominal current $I_N$	Cross section AWG	Cross section $mm^2$
	600 V	9 A	-	-

 <b>UL Recognized</b> Approval ID: FILE E 221474				
	Nominal voltage $U_N$	Nominal current $I_N$	Cross section AWG	Cross section $mm^2$
	600 V	9 A	-	-

 <b>EAC</b> Approval ID: RU C-DE.BL08.B.00511	
--	--

<b>cULus Recognized</b>	
-------------------------	--

# SACC-MINMS-4CON-PG 9 - Connector



1521326

<https://www.phoenixcontact.com/us/products/1521326>

## Classifications

### ECLASS

ECLASS-11.0	27440102
ECLASS-12.0	27440116
ECLASS-13.0	27440116

### ETIM

ETIM 9.0	EC002635
----------	----------

### UNSPSC

UNSPSC 21.0	39121400
-------------	----------

1521326

<https://www.phoenixcontact.com/us/products/1521326>

## Environmental product compliance

### EU RoHS

Fulfills EU RoHS substance requirements	Yes
Exemption	6(c)

### China RoHS

Environment friendly use period (EFUP)	EFUP-50
	An article-related China RoHS declaration table can be found in the download area for the respective article under "Manufacturer declaration". For all articles with EFUP-E, no China RoHS declaration table issued and required.

### EU REACH SVHC

REACH candidate substance (CAS No.)	Lead(CAS: 7439-92-1)
SCIP	d1a4cdd0-7c5a-4695-b174-1bfd0932e781

# SACC-MINMS-4CON-PG 9 - Connector



1521326

<https://www.phoenixcontact.com/us/products/1521326>

## Accessories

### PROT-MINFS-PA-CHAIN - Sealing cap

1430912

<https://www.phoenixcontact.com/us/products/1430912>

7/8" sealing cap made of plastic with fixing band, for sensor cables, for 7/8" connectors



---

### TSD 08 SAC - Torque screwdriver

1212597

<https://www.phoenixcontact.com/us/products/1212597>

Torque screw driver with preset torque of 0.8 Nm, with 4 mm hexagon for accommodating SAC bits, two-component handle with non-slip grip



# SACC-MINMS-4CON-PG 9 - Connector



1521326

<https://www.phoenixcontact.com/us/products/1521326>

## TSD-M 1,2NM - Torque screwdriver

1212224

<https://www.phoenixcontact.com/us/products/1212224>



Torque screw driver, accuracy as per EN ISO 6789 standard, adjustable from 0.3 - 1.2 Nm

---

## TSD-M SAC-BIT ADAPTER - Adapter insert

1212600

<https://www.phoenixcontact.com/us/products/1212600>



Adapter bit for TSD-M...torque tools, E6.3-1/4" drive with 4 mm hexagon to accommodate SAC bits

# SACC-MINMS-4CON-PG 9 - Connector

1521326

<https://www.phoenixcontact.com/us/products/1521326>



## SAC BIT MIN-D25 - Tool

1212512

<https://www.phoenixcontact.com/us/products/1212512>

Nut for assembling 7/8" connectors with a knurl diameter of 25 mm, with 4 mm hexagonal drive



---

Phoenix Contact 2024 © - all rights reserved

<https://www.phoenixcontact.com>

Phoenix Contact USA  
586 Fulling Mill Road  
Middletown, PA 17057, United States  
(+717) 944-1300  
[info@phoenixcon.com](mailto:info@phoenixcon.com)