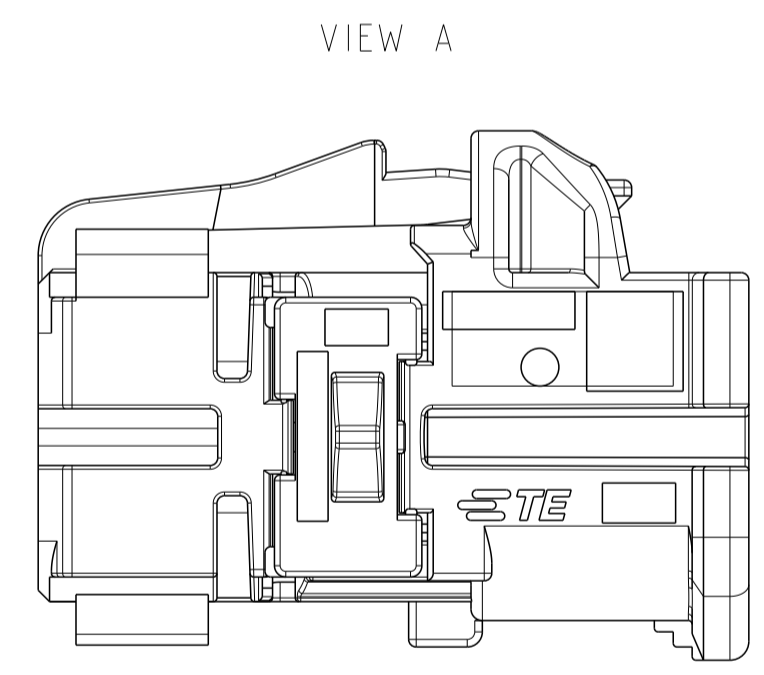
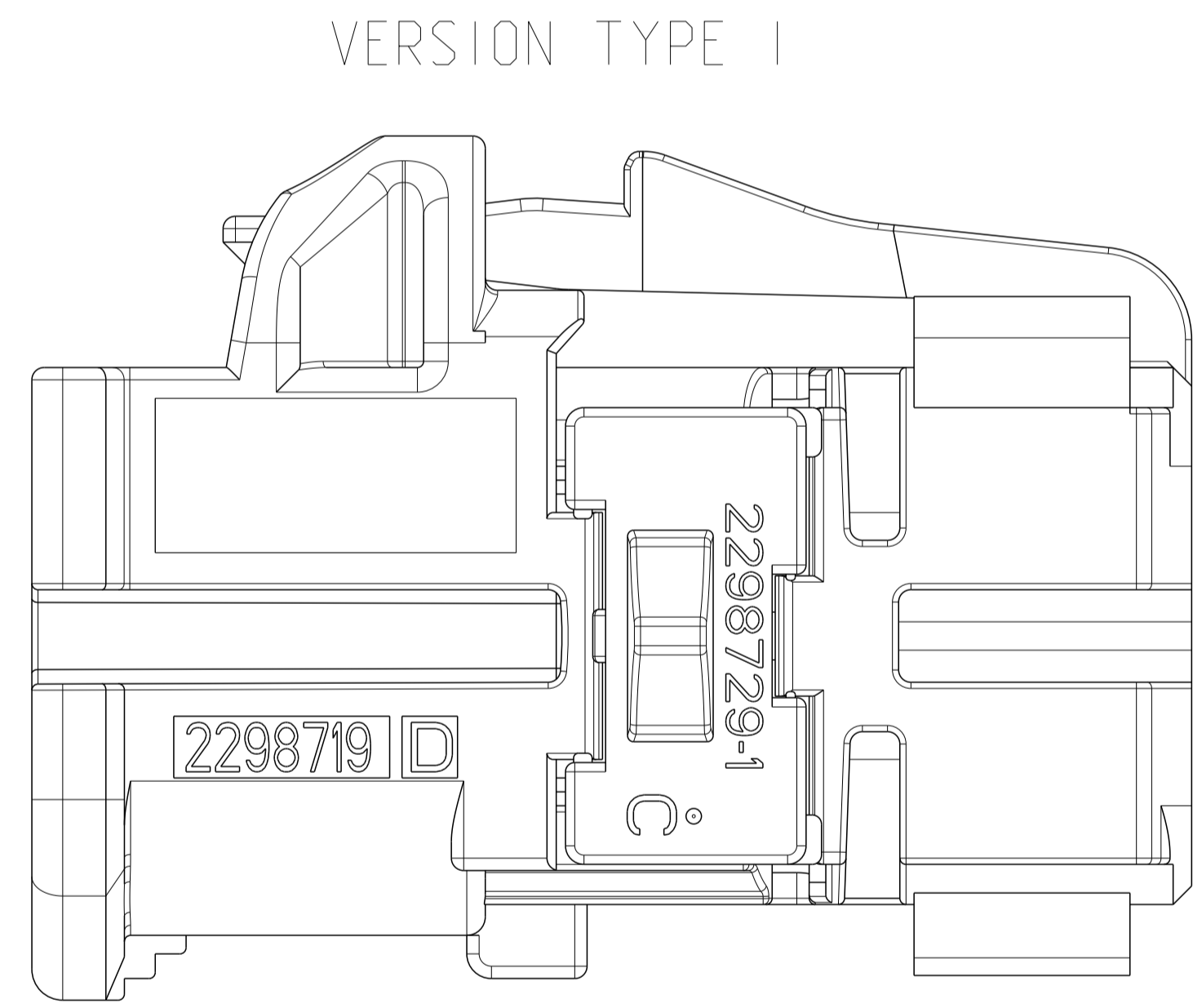
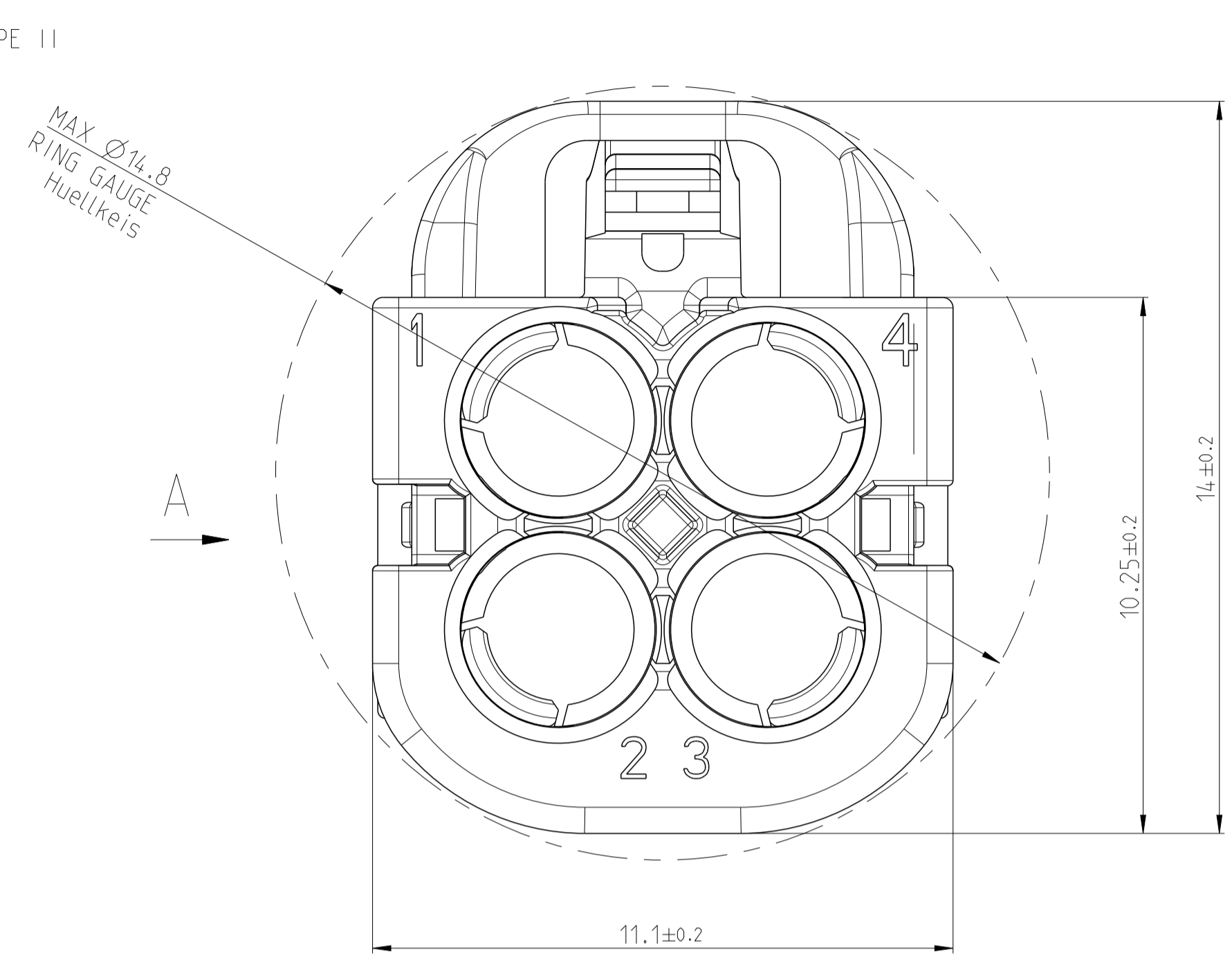
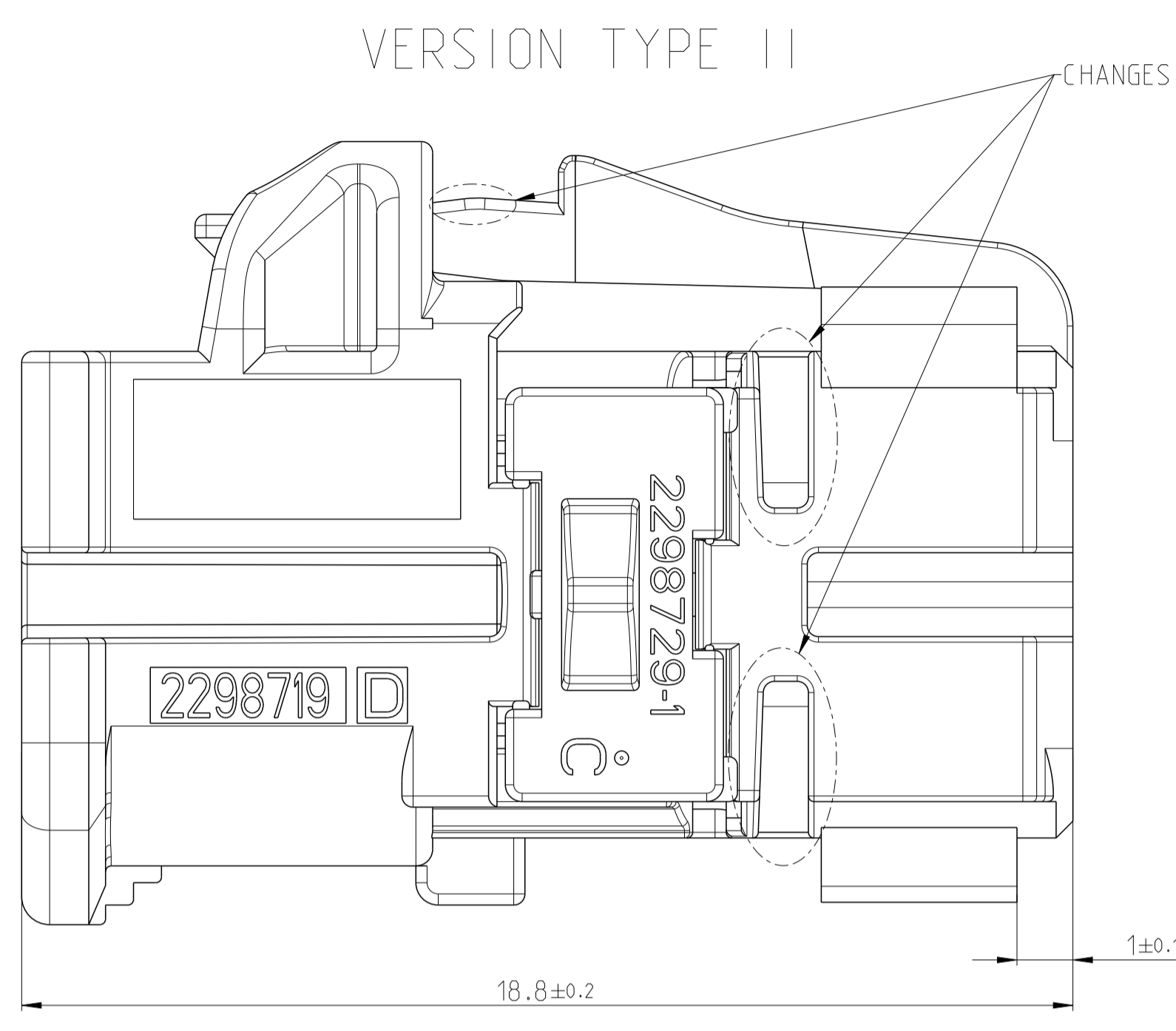
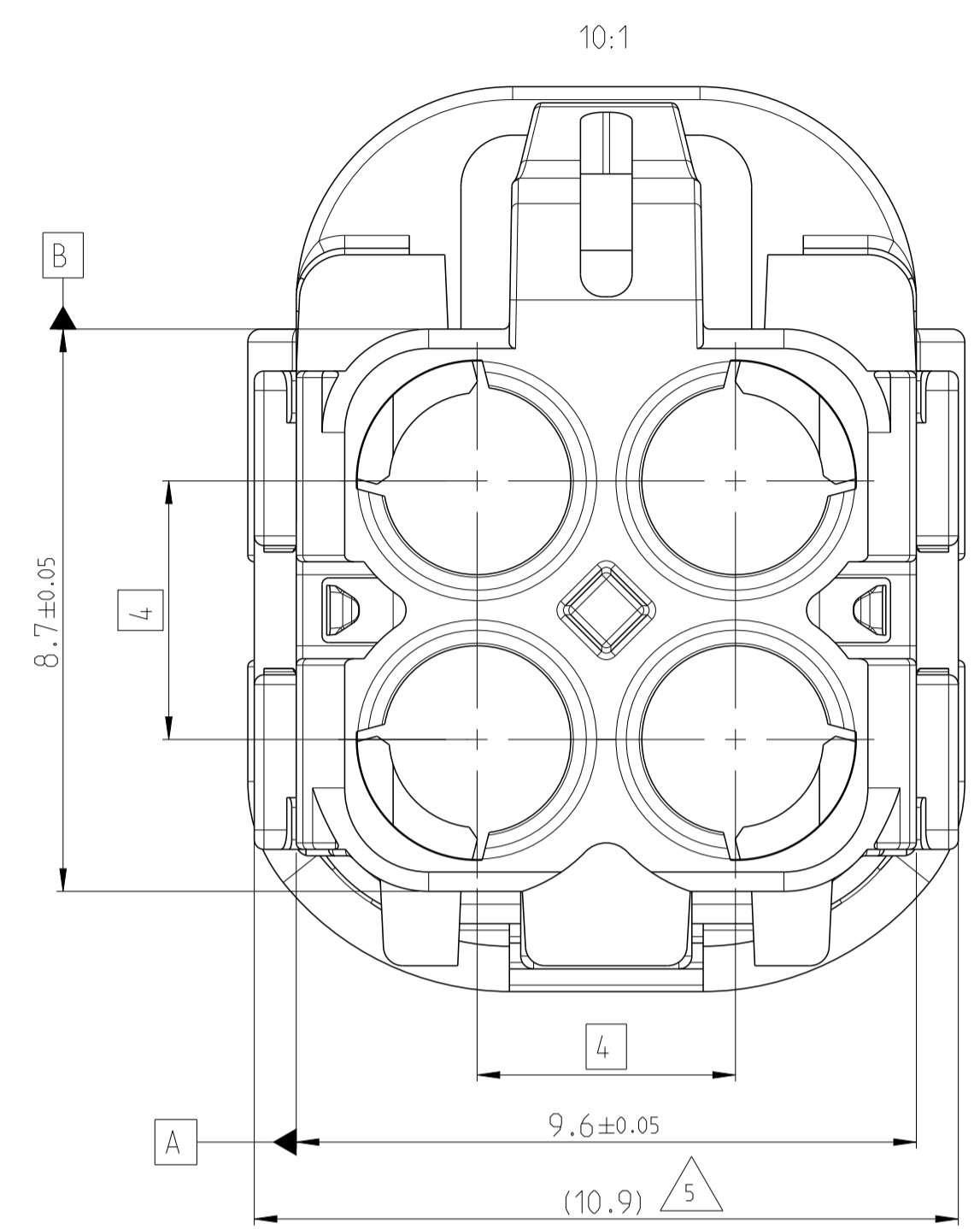
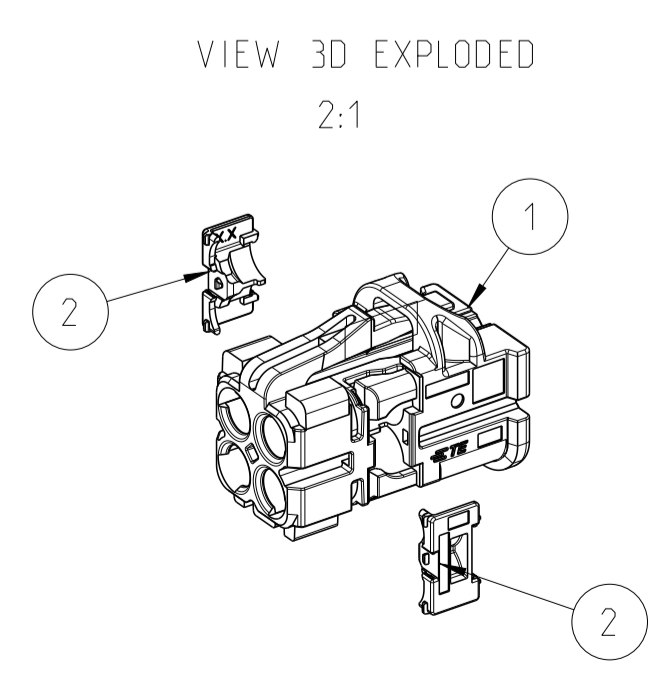
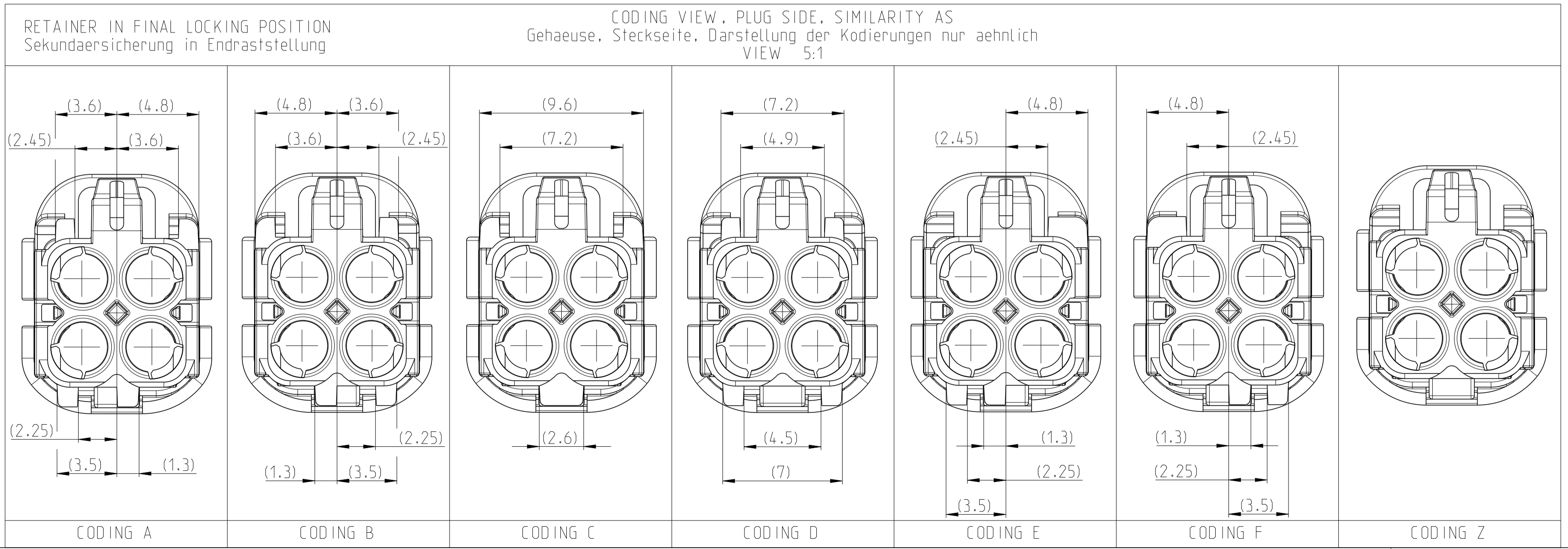


REVISIONS				
P.	LTN	DESCRIPTION	DATE	OWN APVD
C4		Non CPA and CPA versions on sheet 2 and 3	21MAY2021	VS CS
C5		TPA LOCKING TYPE ADDED	19OCT2023	JJ CS
D		See change index D on sheet 4	04SEP2025	DK SC
D1		REVISION UPDATE	14NOV2025	DK SC

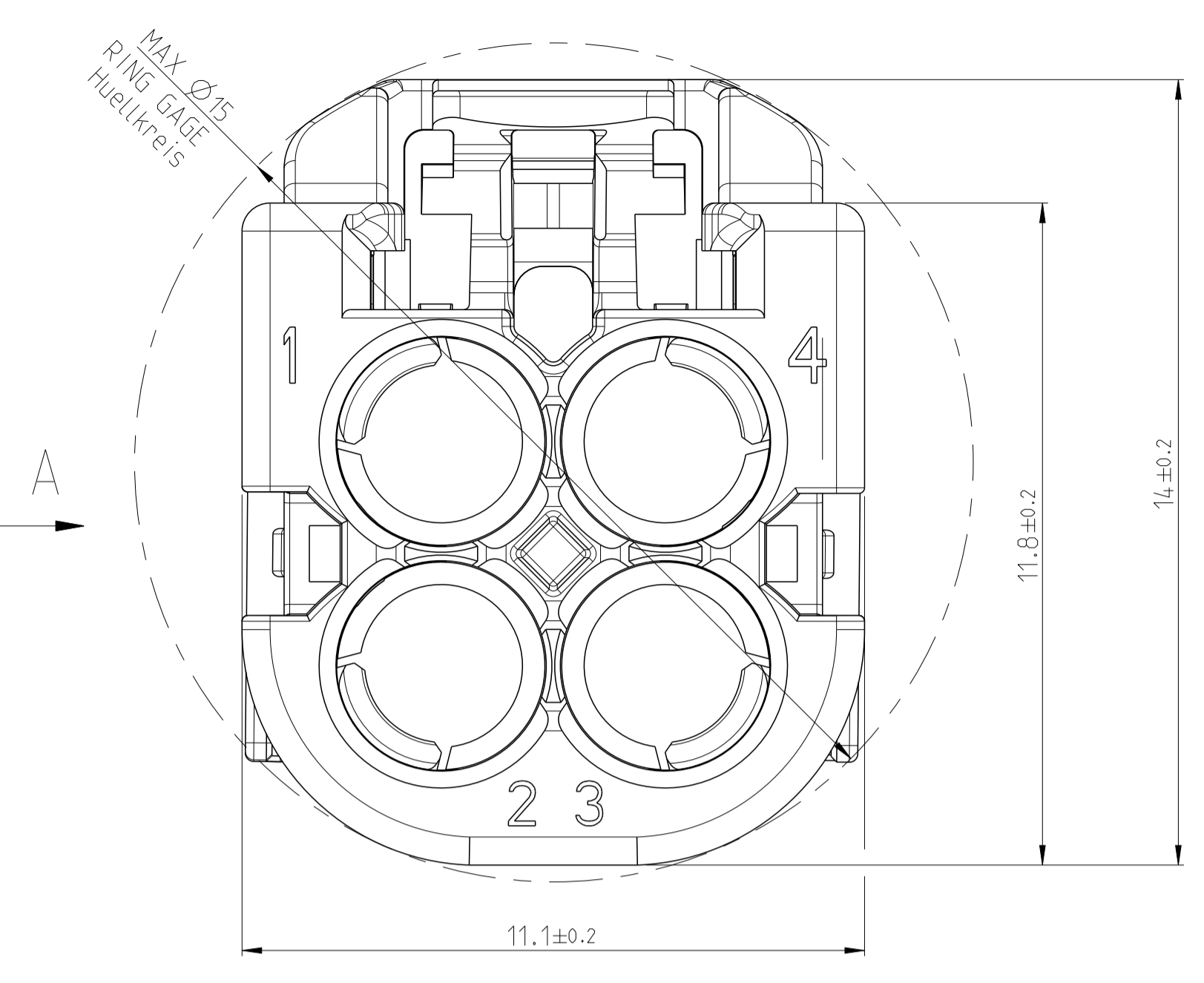
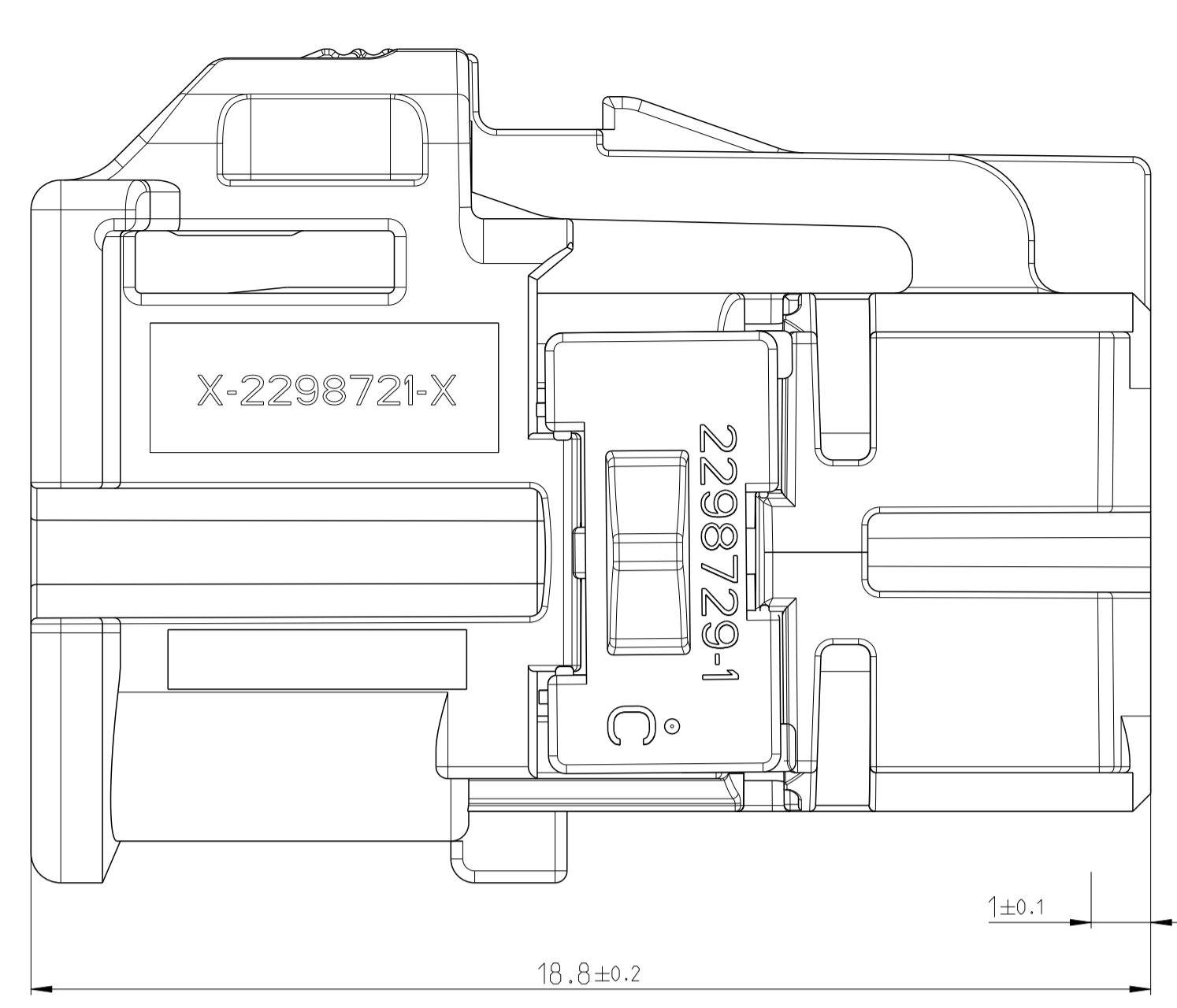
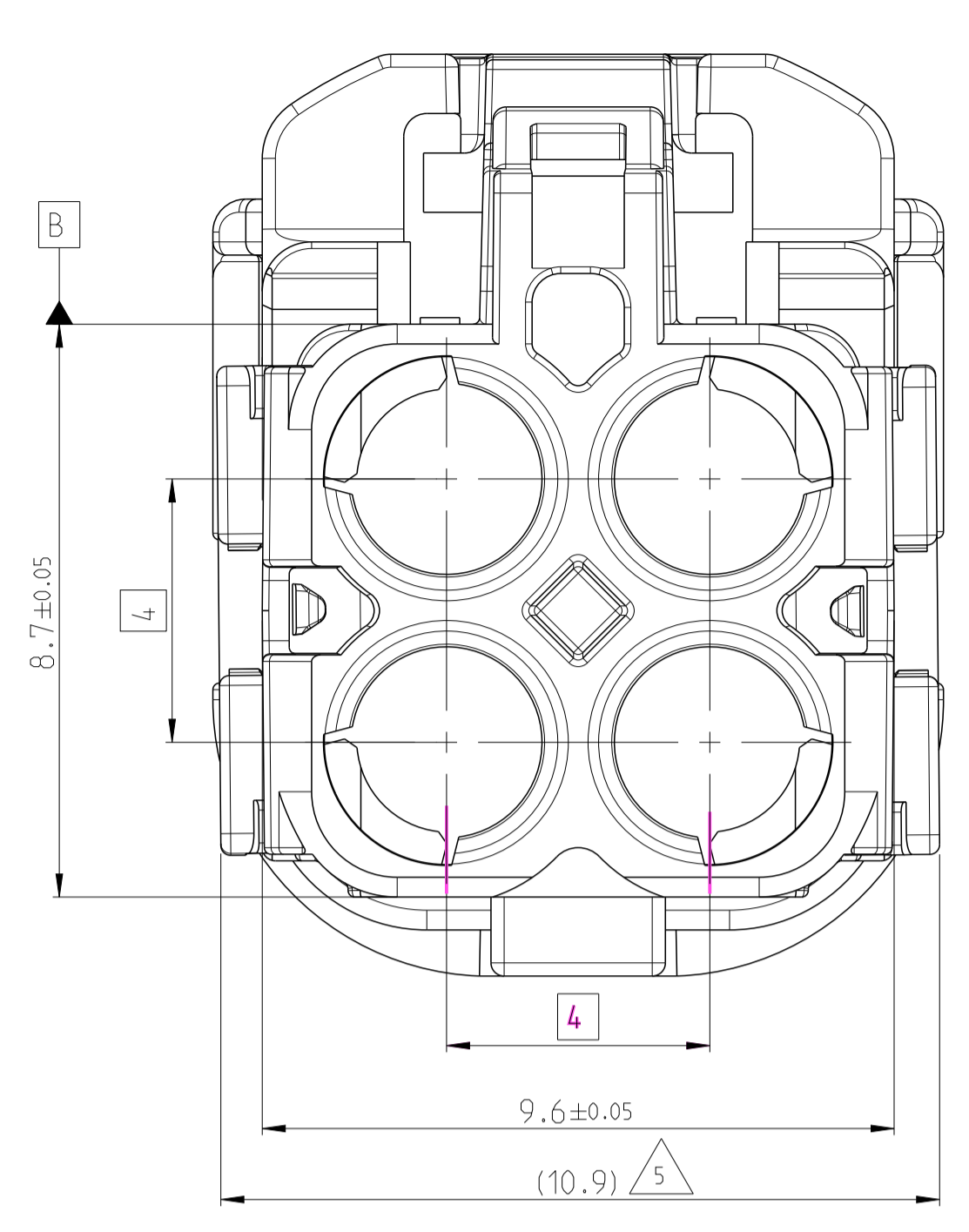


- ONLY THE GERMAN LANGUAGE SHALL BE BINDING
Massgebend ist der deutsche Text
- DETAILS OF DESIGN ARE LEFT TO TE CONNECTIVITY
Einzelheiten der Ausfuehrung bleiben TE CONNECTIVITY ueberlassen
- PACKAGING: BULK IN PLASTIC BAG IN CARDBOARD BOX
Verpackung: Schuetztgut in Kunststoffbeutel in Karton
- TE ORDER NO. 2298721-1 CODING A AS SHOWN
TE-Bestellnummer 2298721-1 Kodierung A wie dargestellt
- Retainer and CPA in pre-locking position
Sekundaerriegelung und CPA in Vorraststellung
- MATCHING TO CONTACT TE NO. 2298488 AND 2298510
Passend zu Kontakt TE-Nr. 2298488 und 2298510
- CONFECTION TESTS COMBINED WITH CONTACT LEADS ARE TO BE MADE WITH
RF-ADAPTER 1-523216-0
Konfektionspruefungen in Verbindung mit Leitungen sind durchzufuehren mit
HF-Adapter 1-523216-0

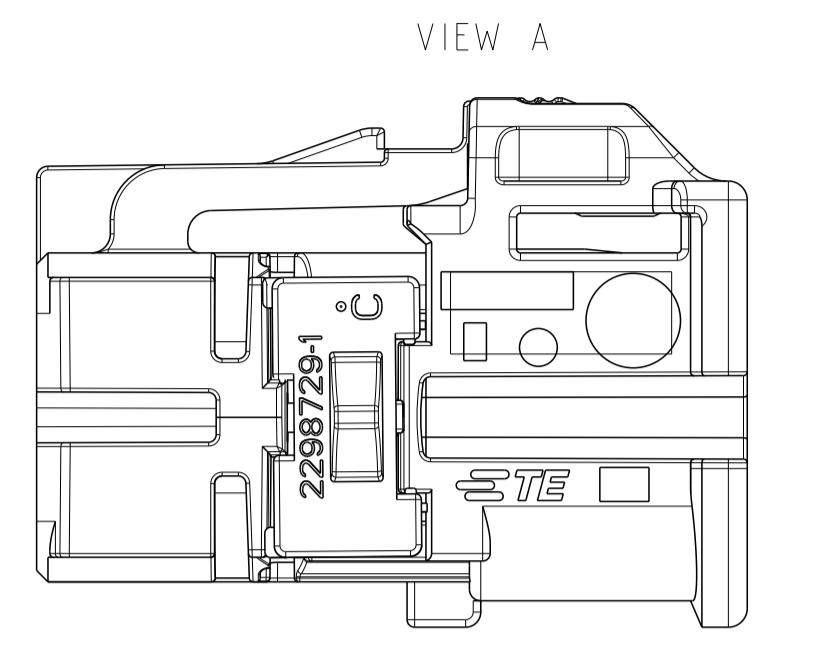


TE ORDER NO.	COD.	REV.	QTY.	DESCRIPTION	MATERIAL	COLOR / SIMILAR RAL	WEIGHT (g)	POS.
2298721-9	Z	C	2	RETAINER	PA66-GF	TRAFFIC PURPLE / 4006	1.1	2
			1	HOUSING	PA66-GF	WATER BLUE / 5021	1	1
2298721-6	F	C	2	RETAINER	PA66-GF	TRAFFIC PURPLE / 4006	1.1	2
			1	HOUSING	PA66-GF	NUT BROWN / 8011	1	1
2298721-5	E	C	2	RETAINER	PA66-GF	TRAFFIC PURPLE / 4006	1.1	2
			1	HOUSING	PA66-GF	MAY GREEN / 6017	1	1
2298721-4	D	C	2	RETAINER	PA66-GF	TRAFFIC PURPLE / 4006	1.1	2
			1	HOUSING	PA66-GF	CLARET VIOLET / 4004	1	1
2298721-3	C	C	2	RETAINER	PA66-GF	TRAFFIC PURPLE / 4006	1.1	2
			1	HOUSING	PA66-GF	LIGHT BLUE / 5012	1	1
2298721-2	B	C	2	RETAINER	PA66-GF	TRAFFIC PURPLE / 4006	1.1	2
			1	HOUSING	PA66-GF	PURE WHITE / 9010	1	1
2298721-1	A	C	2	RETAINER	PA66-GF	TRAFFIC PURPLE / 4006	1.1	2
			1	HOUSING	PA66-GF	JET BLACK / 9005	1	1

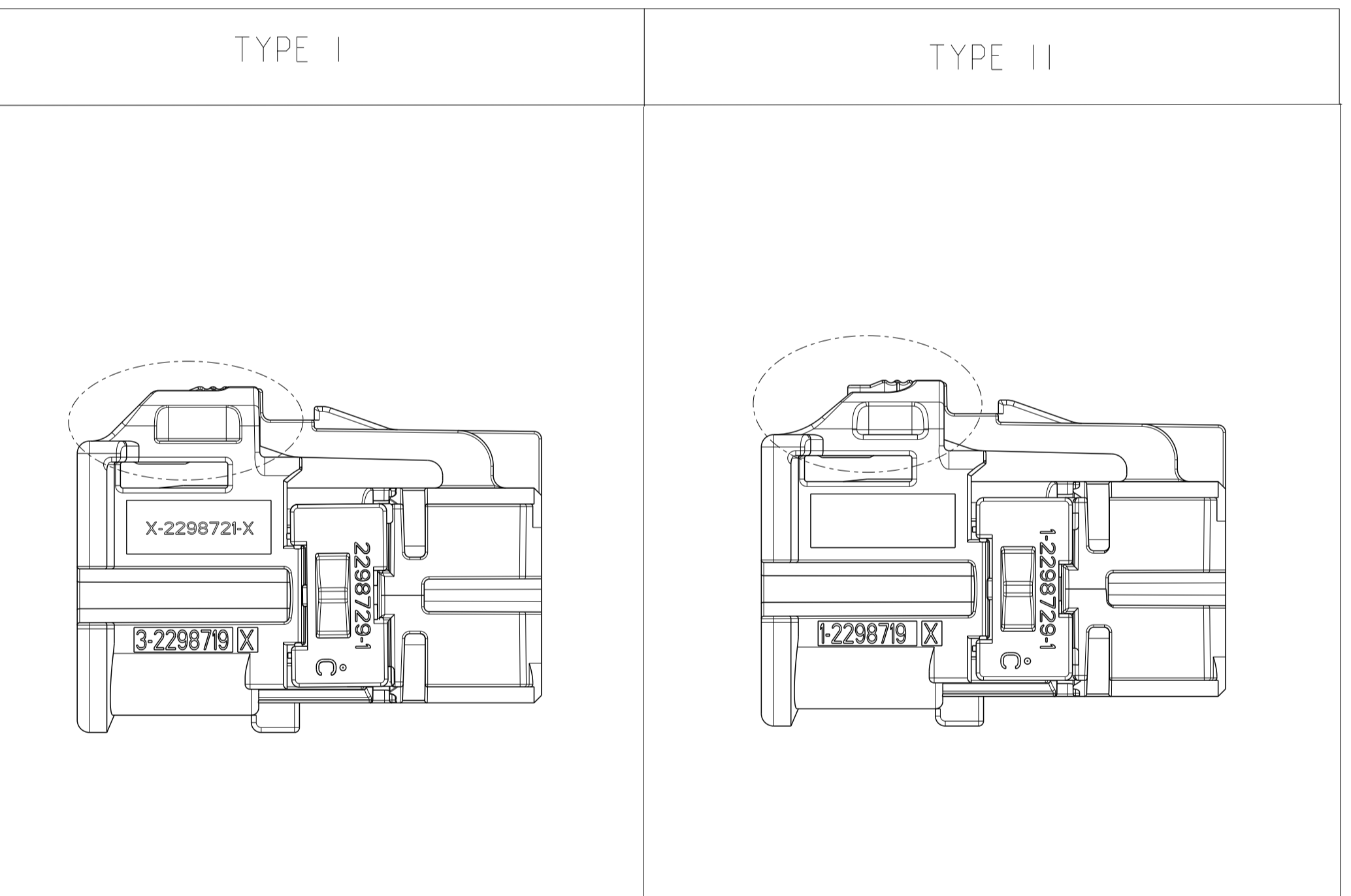
THIS DRAWING IS A CONTROLLED DOCUMENT.		OWN: 03OCT2016 G. van de Burch CHK: 19OCT2016 C. Schrettlinger	TE Connectivity NAME: 4POS.MATE-AX.SOC HSG ASSY.180DEG 4pol.MATE-AX.Buchsengeh Zsb.180Grad
DIMENSIONS: mm	TOLERANCES UNLESS OTHERWISE SPECIFIED:	APVD: W. Mueller 21OCT2016	
0 PLC ±0.2	1 PLC ±0.2	PRODUCT SPEC	SIZE: A1
2 PLC ±0.2	3 PLC ±0.2	APPLICATION SPEC	CAGE CODE: -
4 PLC ±0.2	ANGLES ±	116-94709	DRAWING NO: C=2298721
MATERIAL: SEE TABLE	FINISH: -	116-94468	RESTRICTED TO: -
SEE TABLE	FINISH: -	WEIGHT: -	SCALE: 5:1
SEE TABLE	FINISH: -	CUSTOMER DRAWING	SHEET 1 OF 4



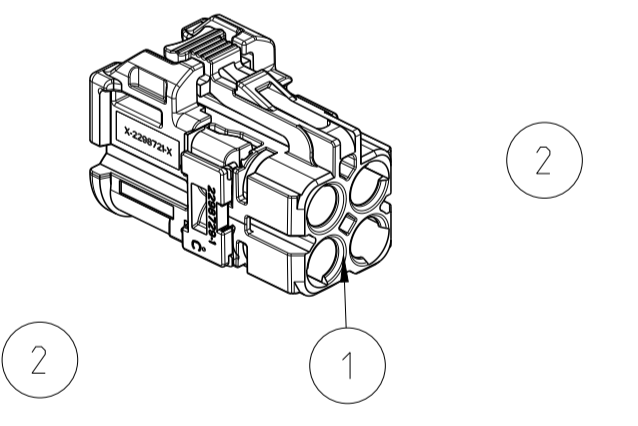
REVISIONS				
P.	LTN	DESCRIPTION	DATE	APVD
-	-	SEE SHEET 1	-	-



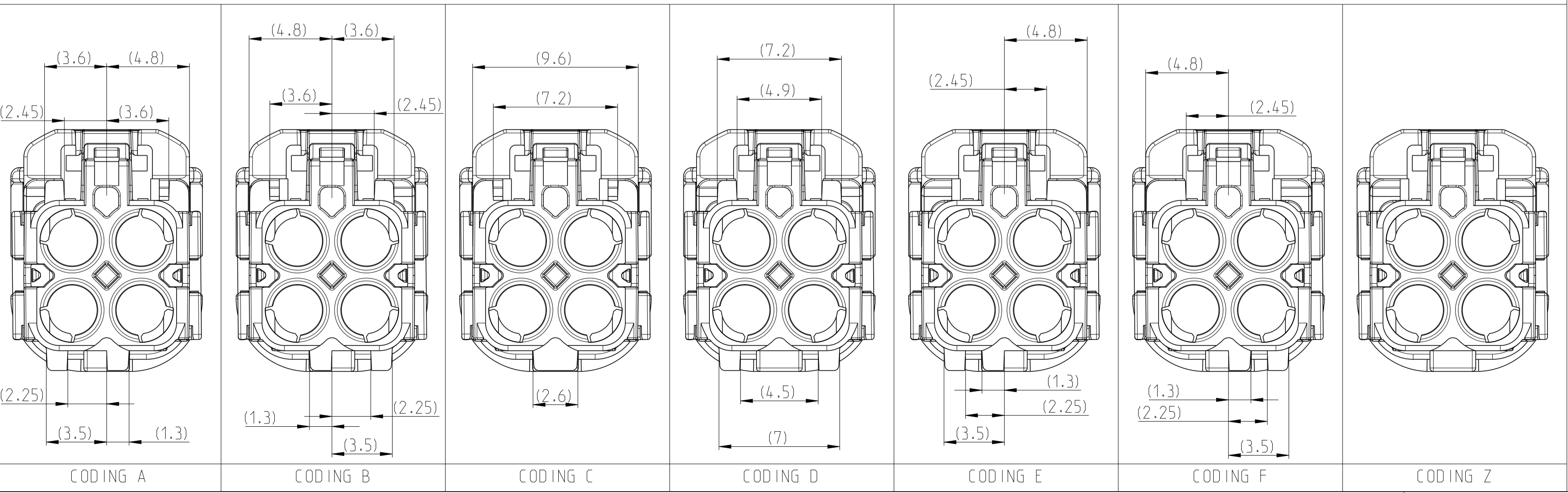
TE ORDER NO. 1-2298721-1 CODING A AS SHOWN
 TE-Bestellnummer 1-2298721-1 Kodierung A wie dargestellt



VIEW 3D EXPLODED 2:1



CODING VIEW, PLUG SIDE, SIMILARITY AS
 Gehäuse, Steckseite, Darstellung der Kodierungen nur aehnlich
 VIEW 5:1



TE ORDER NO.	COD.	REV.	QTY.	DESCRIPTION	MATERIAL	COLOUR / SIMILAR RAL	WEIGHT (g)	POS.
1-2298721-9	Z	D	2	RETAINER	PA66-GF	TRAFFIC PURPLE / 4006	1.07	2
			1	HOUSING	PA66-GF	WATER BLUE / 5021	1.07	1
1-2298721-6	F	D	2	RETAINER	PA66-GF	TRAFFIC PURPLE / 4006	1.07	2
			1	HOUSING	PA66-GF	NUT BROWN / 8011	1.07	1
1-2298721-5	E	D	2	RETAINER	PA66-GF	TRAFFIC PURPLE / 4006	1.07	2
			1	HOUSING	PA66-GF	MAY GREEN / 6017	1.07	1
1-2298721-4	D	D	2	RETAINER	PA66-GF	TRAFFIC PURPLE / 4006	1.07	2
			1	HOUSING	PA66-GF	CLARET VIOLET / 4004	1.07	1
1-2298721-3	C	D	2	RETAINER	PA66-GF	TRAFFIC PURPLE / 4006	1.07	2
			1	HOUSING	PA66-GF	LIGHT BLUE / 5012	1.07	1
1-2298721-2	B	D	2	RETAINER	PA66-GF	TRAFFIC PURPLE / 4006	1.07	2
			1	HOUSING	PA66-GF	PURE WHITE / 9010	1.07	1
1-2298721-1	A	D	2	RETAINER	PA66-GF	TRAFFIC PURPLE / 4006	1.07	2
			1	HOUSING	PA66-GF	JET BLACK / 9005	1.07	1

THIS DRAWING IS A CONTROLLED DOCUMENT. DWG: G. van de Burch 03/01/2016
 CHK: C. Schrettlinger 17/01/2016
 APVD: W. Mueller 21/01/2016

TE TE Connectivity

NAME: 4POS.MATE-AX.SOC HSG ASSY.180DEG
 4pol.MATE-AX.Buchsengeh Zsb.180Grad

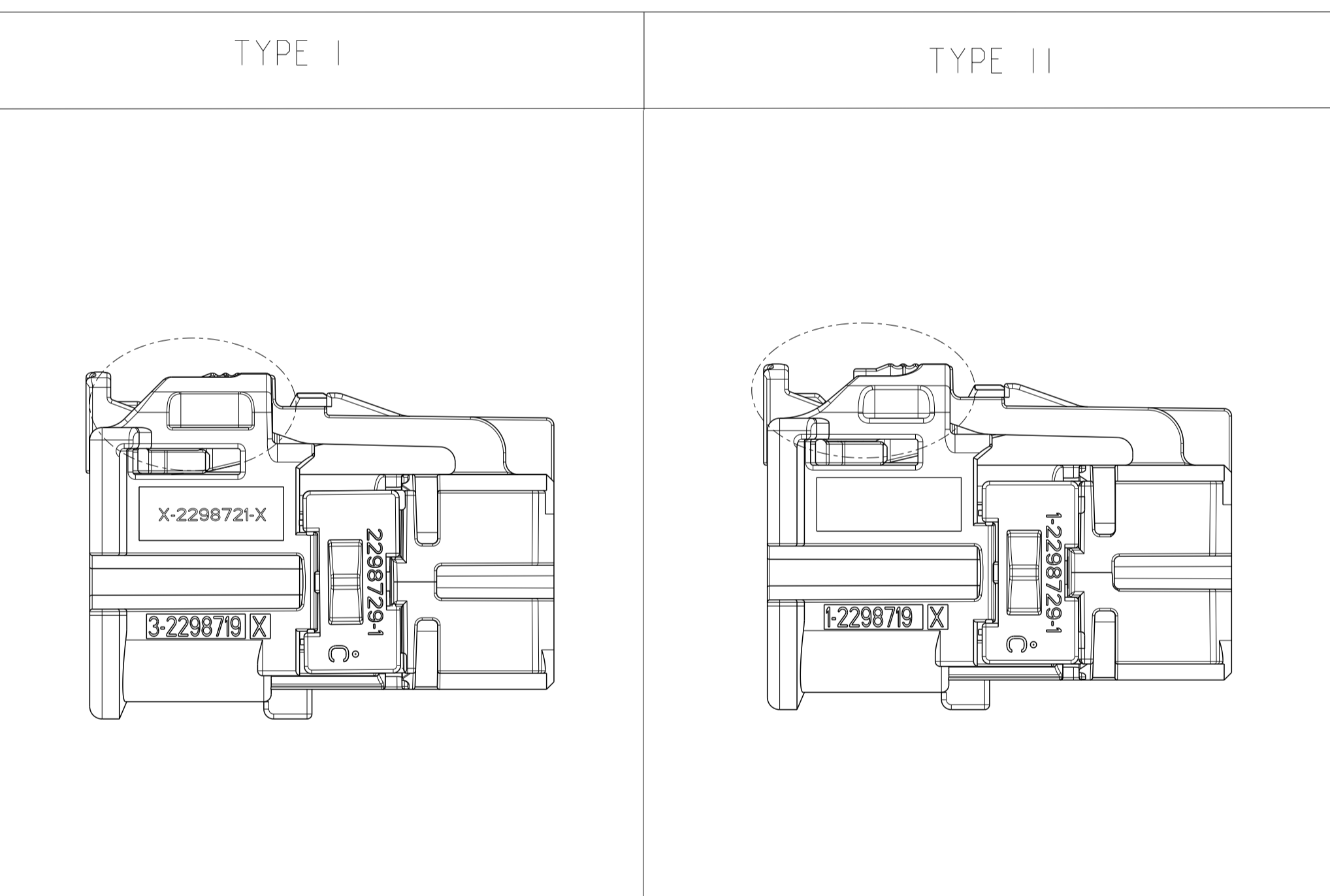
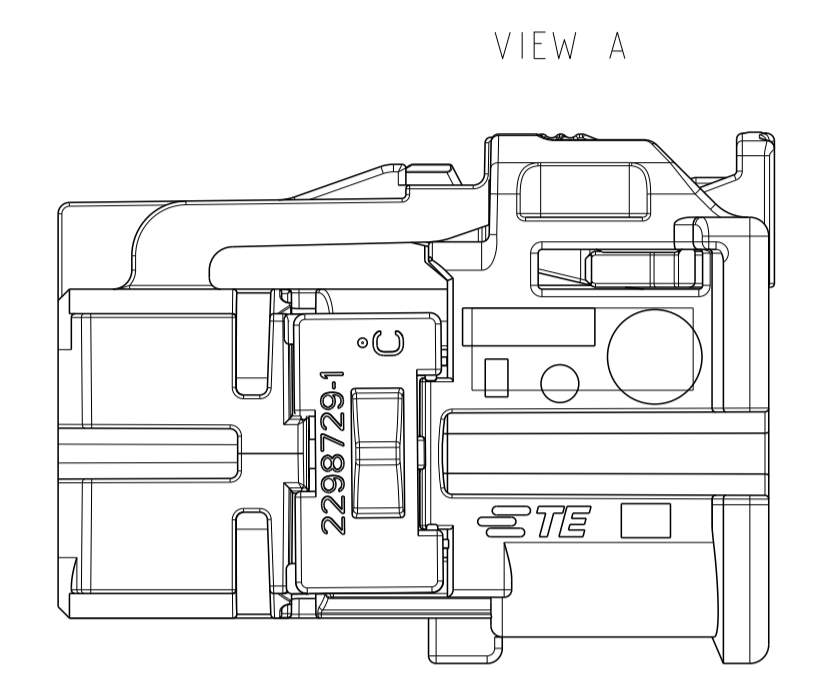
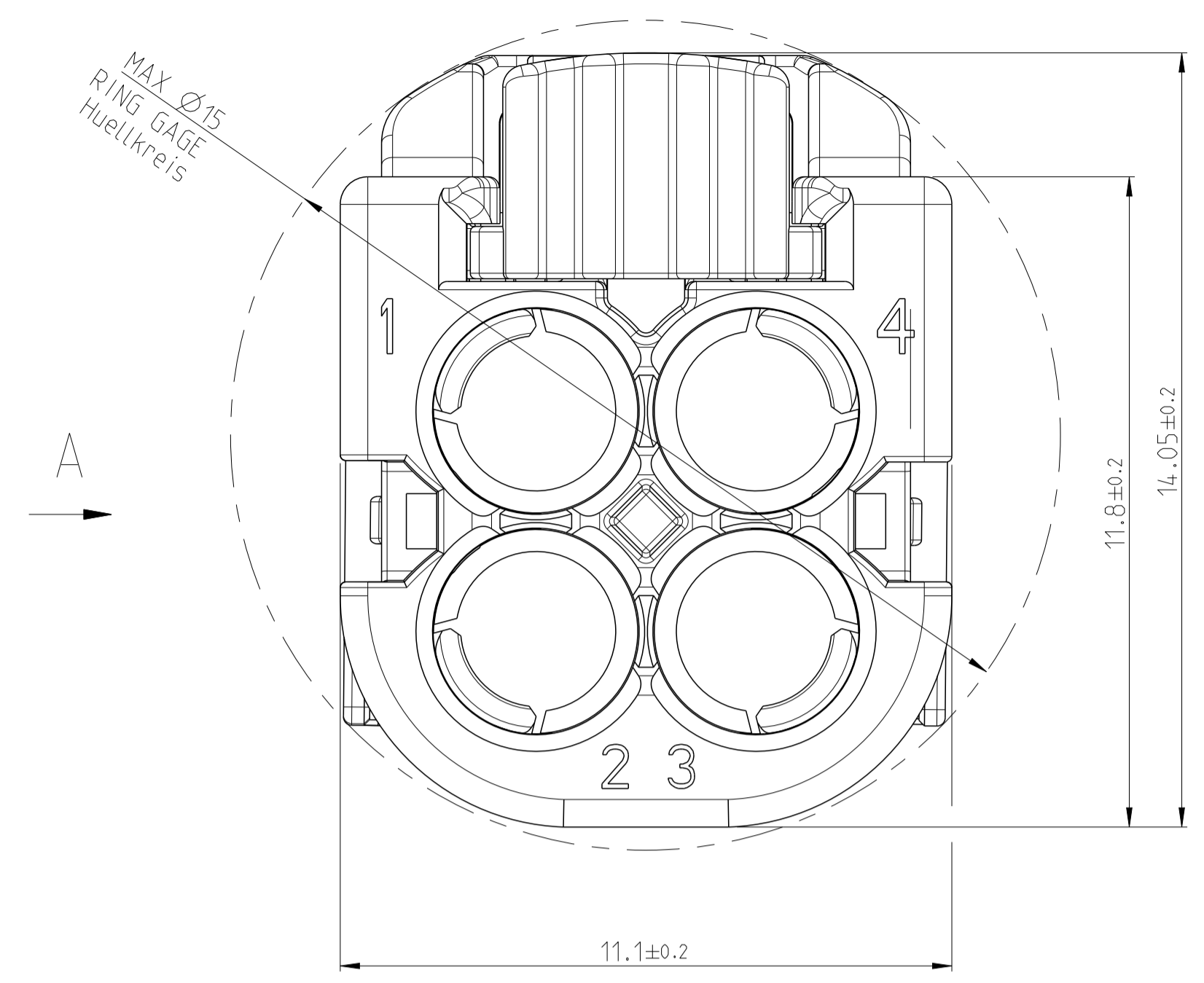
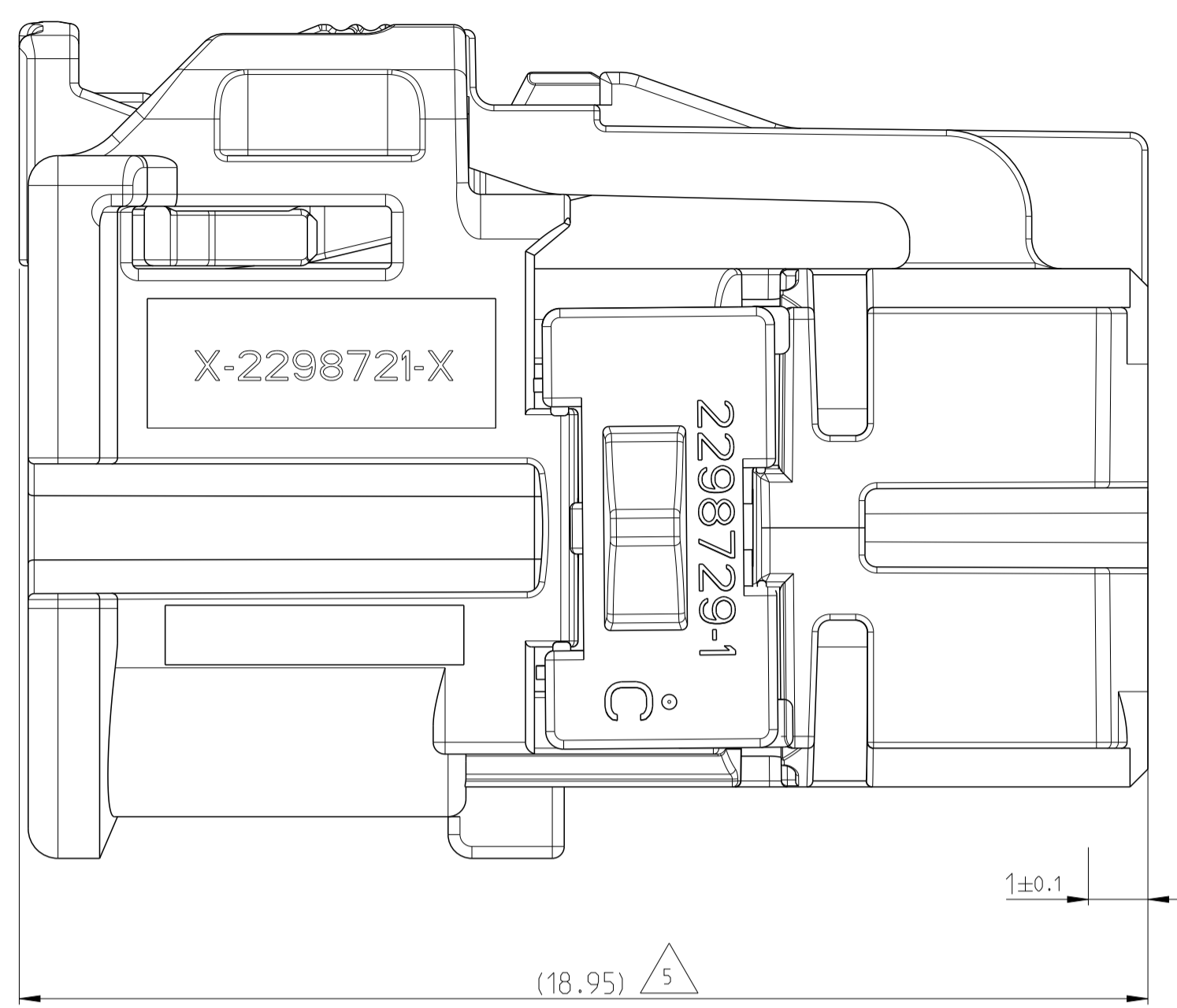
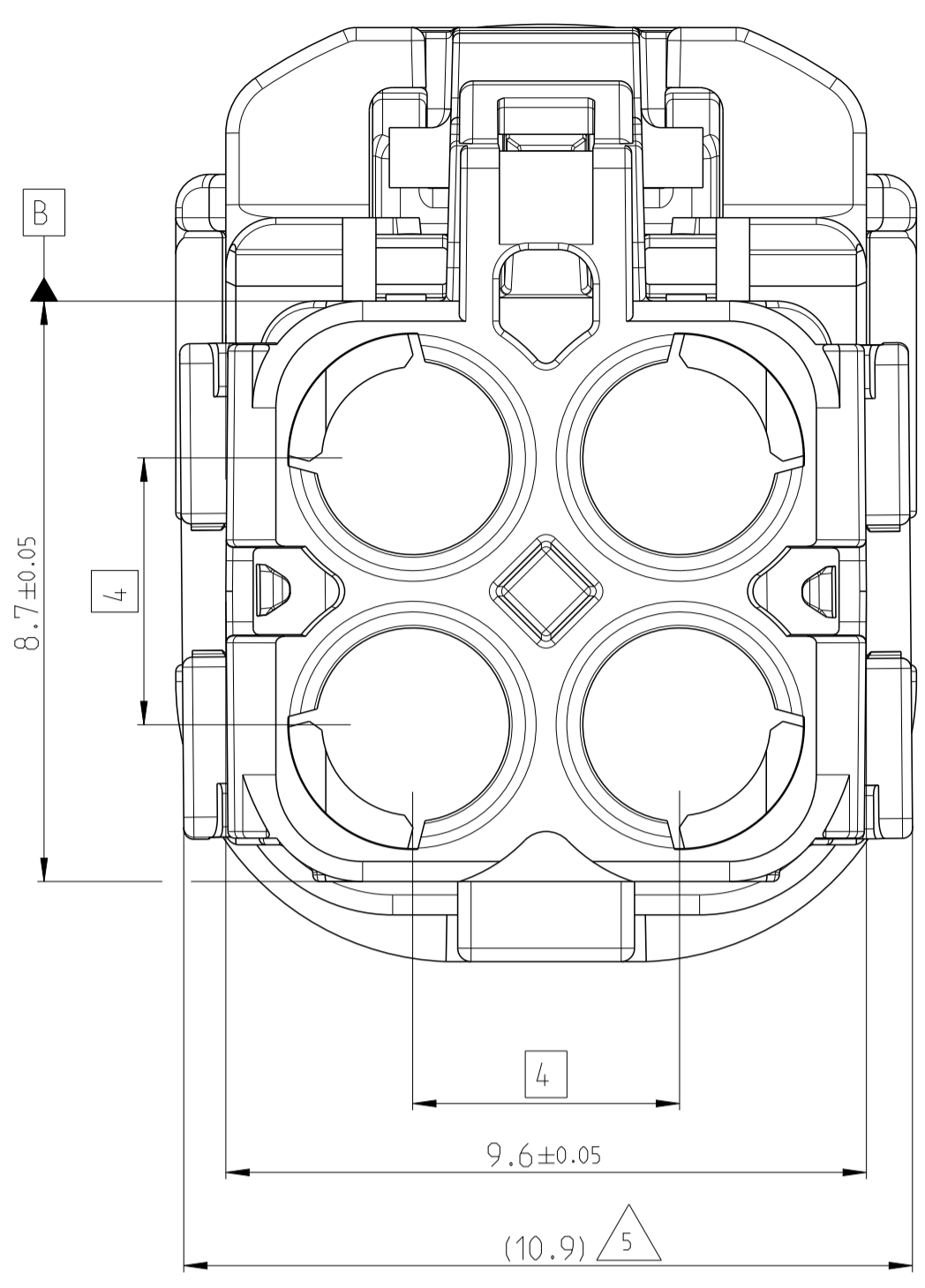
PRODUCT SPEC: 108-94709
 APPLICATION SPEC: 114-94468

MATERIAL: SEE TABLE
 DIMENSIONS: mm
 TOLERANCES UNLESS OTHERWISE SPECIFIED:
 0 PLC ±0.2
 1 PLC ±0.2
 2 PLC ±0.2
 3 PLC ±0.2
 4 PLC ±0.2
 ANGLES ±0.1°

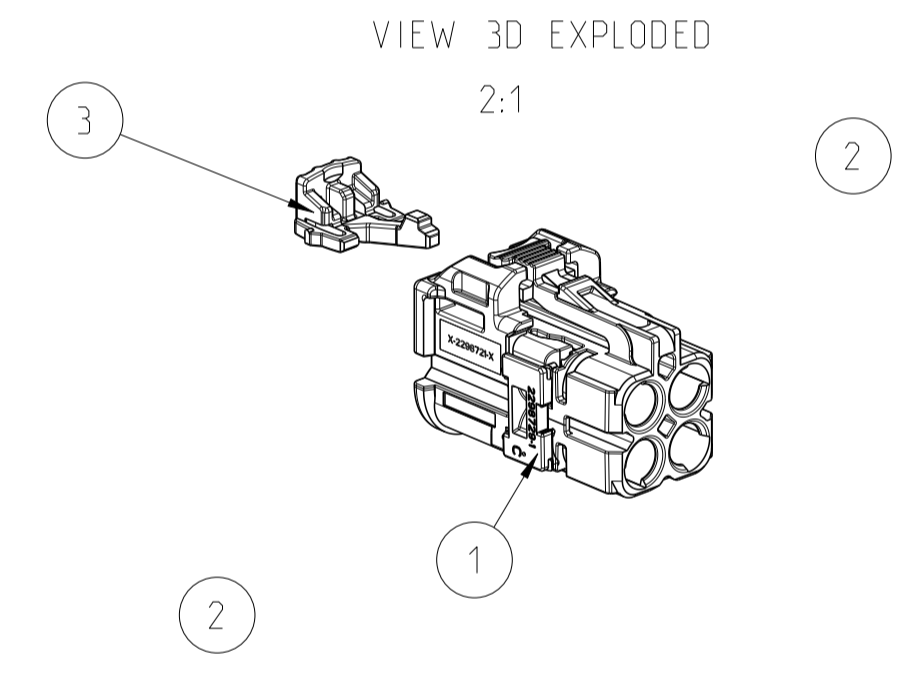
SIZE: A1
 CAGE CODE: -
 DRAWING NO: C=2298721
 RESTRICTED TO: -

SCALE: 5:1
 SHEET: 2 OF 4
 REV: 01

REVISIONS				
P.	LTN.	DESCRIPTION	DATE	APPV.
-	-	SEE SHEET 1	-	-

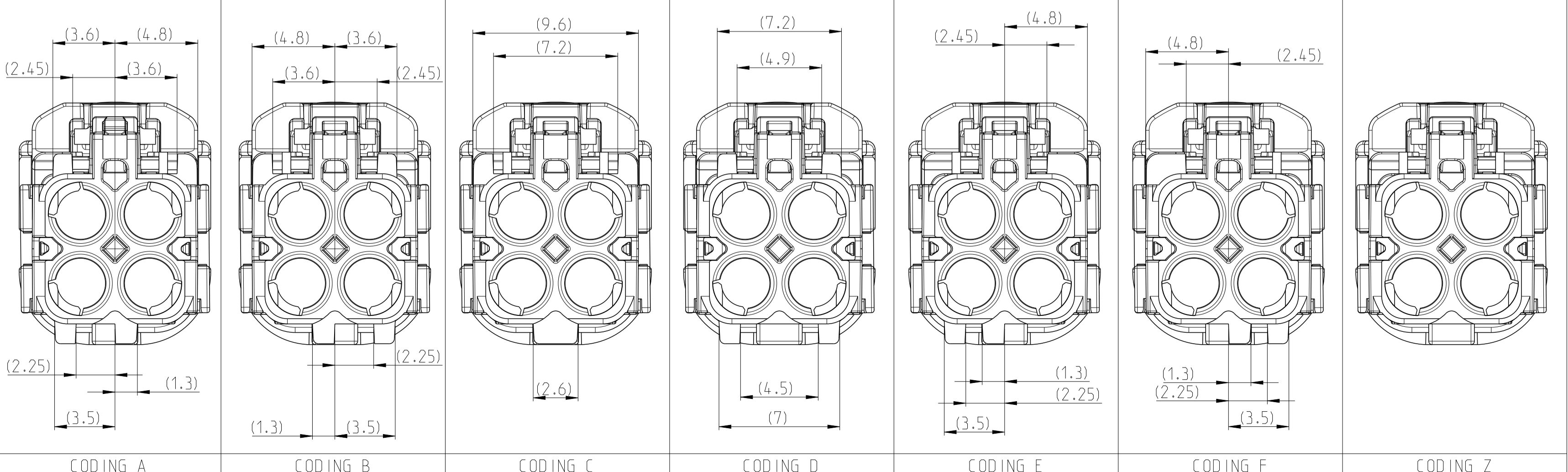


TE ORDER NO. 2-2298721-1 CODING A AS SHOWN
 TE-Bestellnummer 2-2298721-1 Kodierung A wie dargestellt



RETAINER IN FINAL LOCKING POSITION
 Sekundaersicherung in Endraststellung

CODING VIEW, PLUG SIDE, SIMILARITY AS
 Gehäuse, Steckseite, Darstellung der Kodierungen nur aehnlich
 VIEW 5:1



TE ORDER NO.	COD.	REV.	QTY.	DESCRIPTION	MATERIAL	COLOR / SIMILAR RAL	WEIGHT (g)	POS.
2-2298721-9	Z	D	1	CPA	PA66-GF	RED/3020	1.18	3
			2	RETAINER	PA66-GF	TRAFFIC PURPLE / 4006		2
2-2298721-6	F	D	1	HOUSING	PA66-GF	WATER BLUE / 5021	1.18	1
			2	RETAINER	PA66-GF	TRAFFIC PURPLE / 4006		2
2-2298721-5	E	D	1	CPA	PA66-GF	RED/3020	1.18	3
			2	RETAINER	PA66-GF	TRAFFIC PURPLE / 4006		2
2-2298721-4	D	D	1	HOUSING	PA66-GF	MAY GREEN / 6017	1.18	1
			2	RETAINER	PA66-GF	TRAFFIC PURPLE / 4006		2
2-2298721-3	C	D	1	CPA	PA66-GF	RED/3020	1.18	3
			2	RETAINER	PA66-GF	TRAFFIC PURPLE / 4006		2
2-2298721-2	B	D	1	HOUSING	PA66-GF	LIGHT BLUE / 5012	1.18	1
			2	RETAINER	PA66-GF	TRAFFIC PURPLE / 4006		2
2-2298721-1	A	D	1	CPA	PA66-GF	RED/3020	1.18	3
			2	RETAINER	PA66-GF	TRAFFIC PURPLE / 4006		2
1	HOUSING	PA66-GF	JET BLACK / 9005	1				

THIS DRAWING IS A CONTROLLED DOCUMENT. DWG: 030CT2016
 G. van de Burch
 C. Schrettlinger

TE Connectivity

NAME: 4POS.MATE-AX.SOC HSG ASSY.180DEG
 4pol.MATE-AX.Buchsengeh Zsb.180Grad

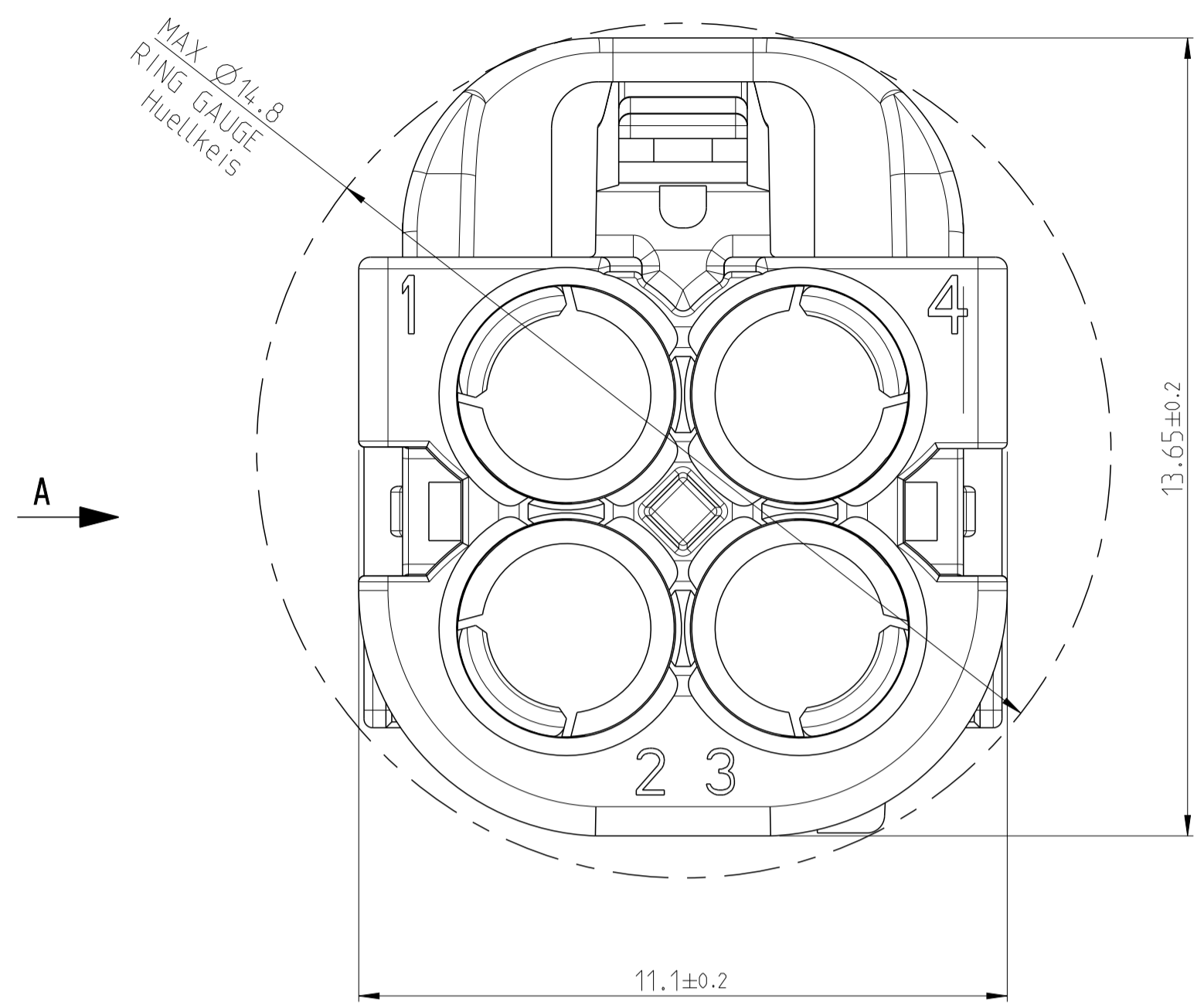
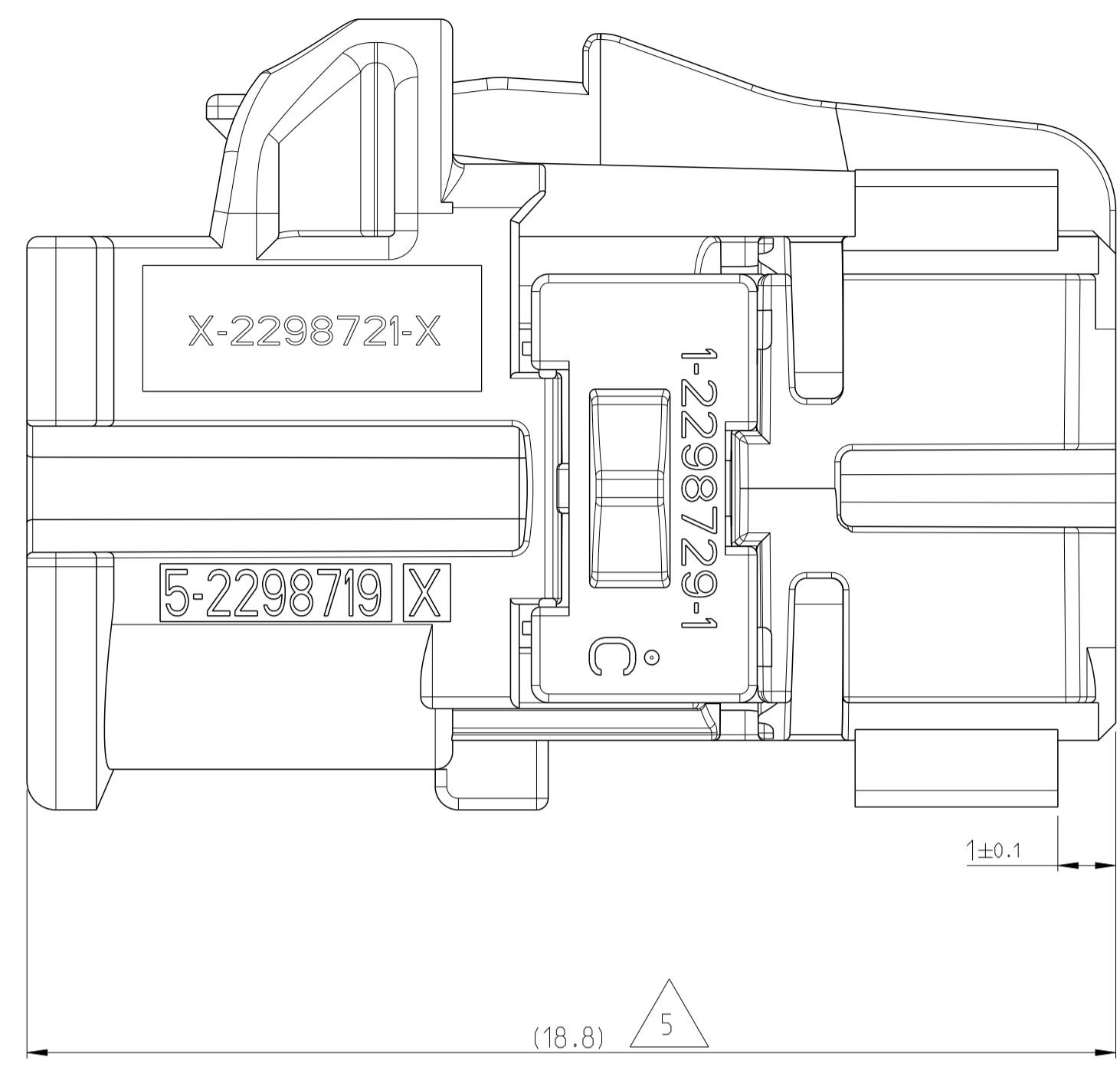
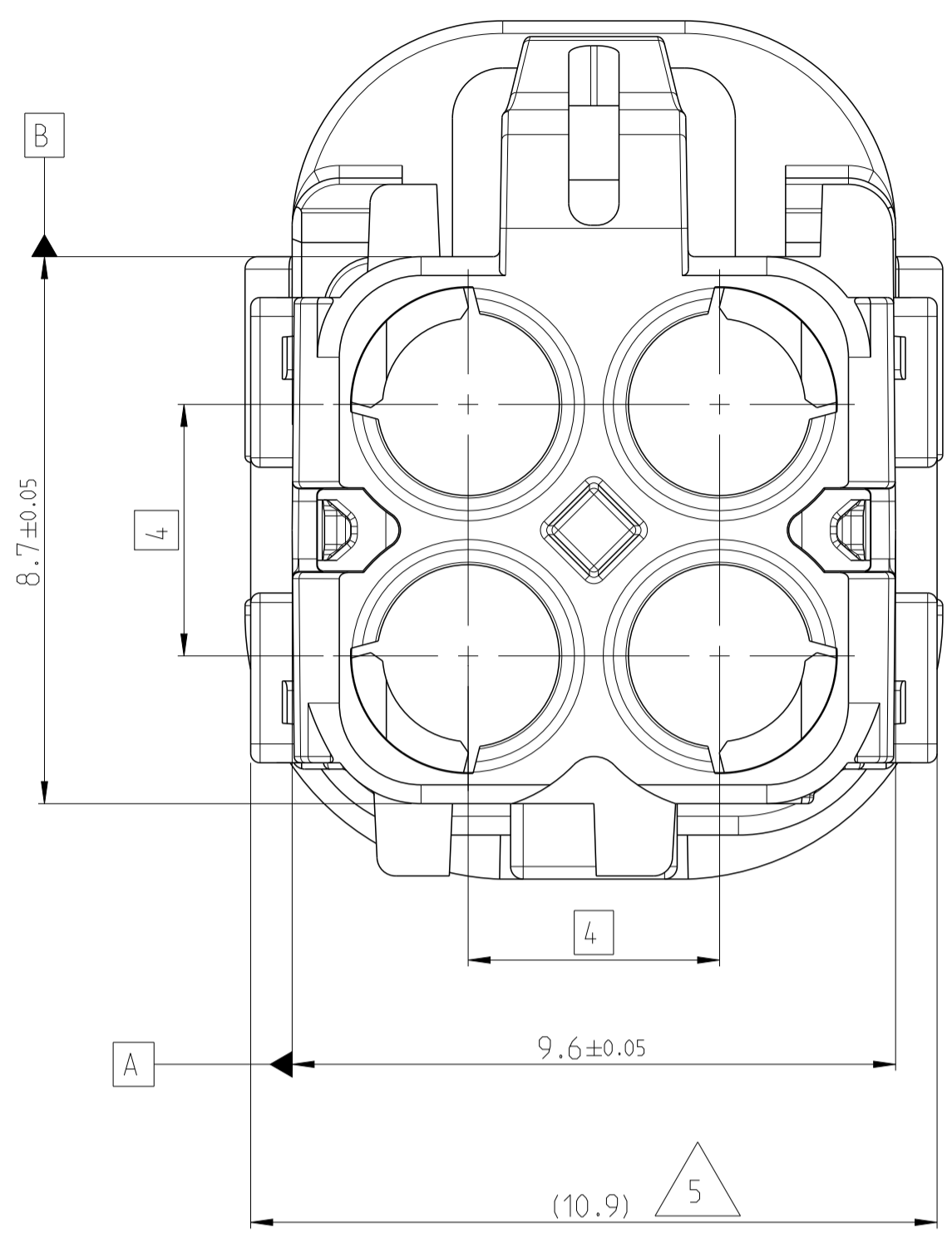
PRODUCT SPEC: 108-94709
 APPLICATION SPEC: 114-94468

SIZE: A1 CAGE CODE: - DRAWING NO: C=2298721
 RESTRICTED TO: -

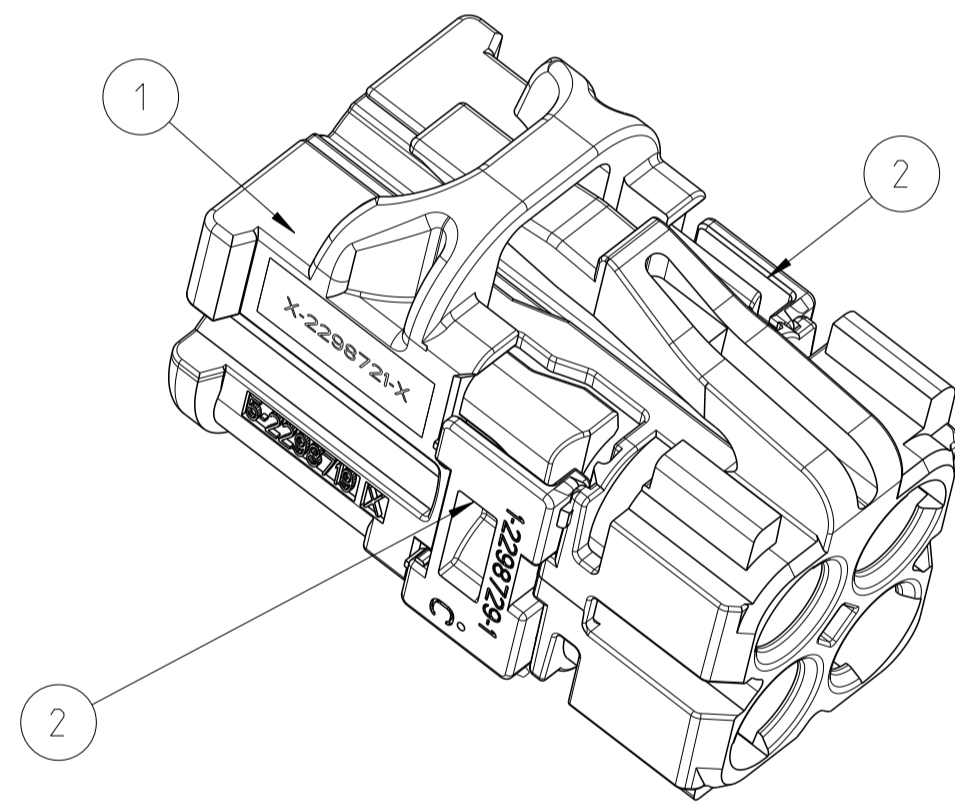
MATERIAL: SEE TABLE
 FINISH: -
 WEIGHT: -
 CUSTOMER DRAWING

SCALE: 5:1 SHEET: 3 OF 4 REV: 01

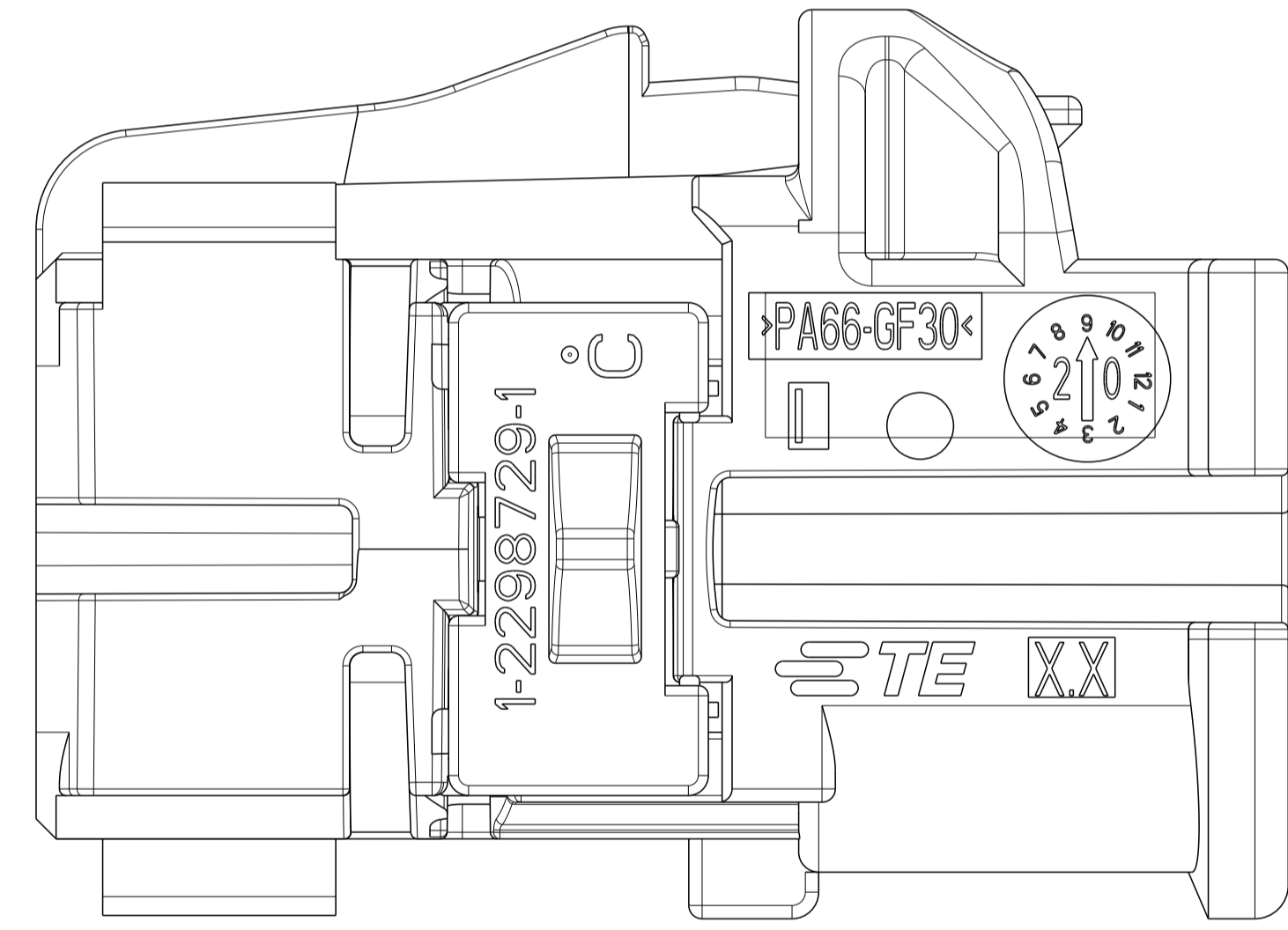
REVISIONS				
P.	LTN.	DESCRIPTION	DATE	APVD.
-	-	SEE SHEET 1	-	-



VIEW 3D EXPLODED
5:1



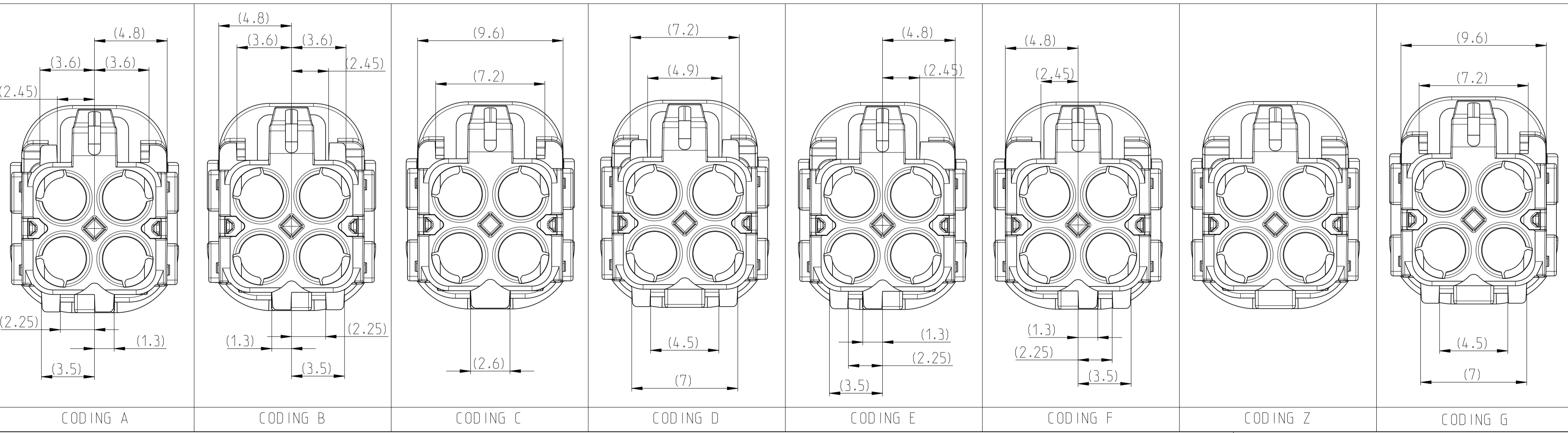
VIEW A



TE ORDER NO. 4-2298721-1 CODING A AS SHOWN
 TE-Bestellnummer 4-2298721-1 kodierung A wie dargestellt

RETAINER IN FINAL LOCKING POSITION
 Sekundaersicherung in Endraststellung

CODING VIEW. PLUG SIDE, SIMILARITY AS
 Gehaeuse. Steckseite. Darstellung der Kodierungen nur aehnlich
 VIEW 5:1



TE ORDER NO.	COD.	REV.	QTY.	DESCRIPTION	MATERIAL	COLOUR / SIMILAR RAL	WEIGHT [g]	POS.
6-2298721-0	G	D	2	RETAINER	PA66-GF	TRAFFIC PURPLE / 4006	1.03	2
			1	HOUSING	PA66-GF	BLUE GRAY / 7031		1
4-2298721-9	Z	D	2	RETAINER	PA66-GF	TRAFFIC PURPLE / 4006	1.03	2
			1	HOUSING	PA66-GF	WATER BLUE / 5021		1
4-2298721-6	F	D	2	RETAINER	PA66-GF	TRAFFIC PURPLE / 4006	1.03	2
			1	HOUSING	PA66-GF	NUT BROWN / 8011		1
4-2298721-5	E	D	2	RETAINER	PA66-GF	TRAFFIC PURPLE / 4006	1.03	2
			1	HOUSING	PA66-GF	MAY GREEN / 6017		1
4-2298721-4	D	D	2	RETAINER	PA66-GF	TRAFFIC PURPLE / 4006	1.03	2
			1	HOUSING	PA66-GF	CLARET VIOLET / 4004		1
4-2298721-3	C	D	2	RETAINER	PA66-GF	TRAFFIC PURPLE / 4006	1.03	2
			1	HOUSING	PA66-GF	LIGHT BLUE / 5012		1
4-2298721-2	B	D	2	RETAINER	PA66-GF	TRAFFIC PURPLE / 4006	1.03	2
			1	HOUSING	PA66-GF	PURE WHITE / 9010		1
4-2298721-1	A	D	2	RETAINER	PA66-GF	TRAFFIC PURPLE / 4006	1.03	2
			1	HOUSING	PA66-GF	JET BLACK / 9005		1

THIS DRAWING IS A CONTROLLED DOCUMENT.		OWN: D.Khatri 04SEPT2025	TE Connectivity NAME: 4POS.MATE-AX.SOC HSG ASSY.180DEG 4pol.MATE-AX.Buchsengeh Zsb.180Grad
DIMENSIONS: mm		CHK: S.Chehboune 04SEPT2025	
TOLERANCES UNLESS OTHERWISE SPECIFIED:		APVD: K. Schrettlinger 04SEPT2025	PRODUCT SPEC: 108-94709
0 PLC ±0.2		APPLICATION SPEC: 114-94468	SIZE: A1
1 PLC ±0.2		WEIGHT: -	CAGE CODE: -
2 PLC ±0.2		CUSTOMER DRAWING	DRAWING NO: C=2298721
3 PLC ±0.2		SCALE: 5:1	SHEET: 4 OF 4
4 PLC ±0.2			REV: 01
ANGLES: -			
FINISH: -			